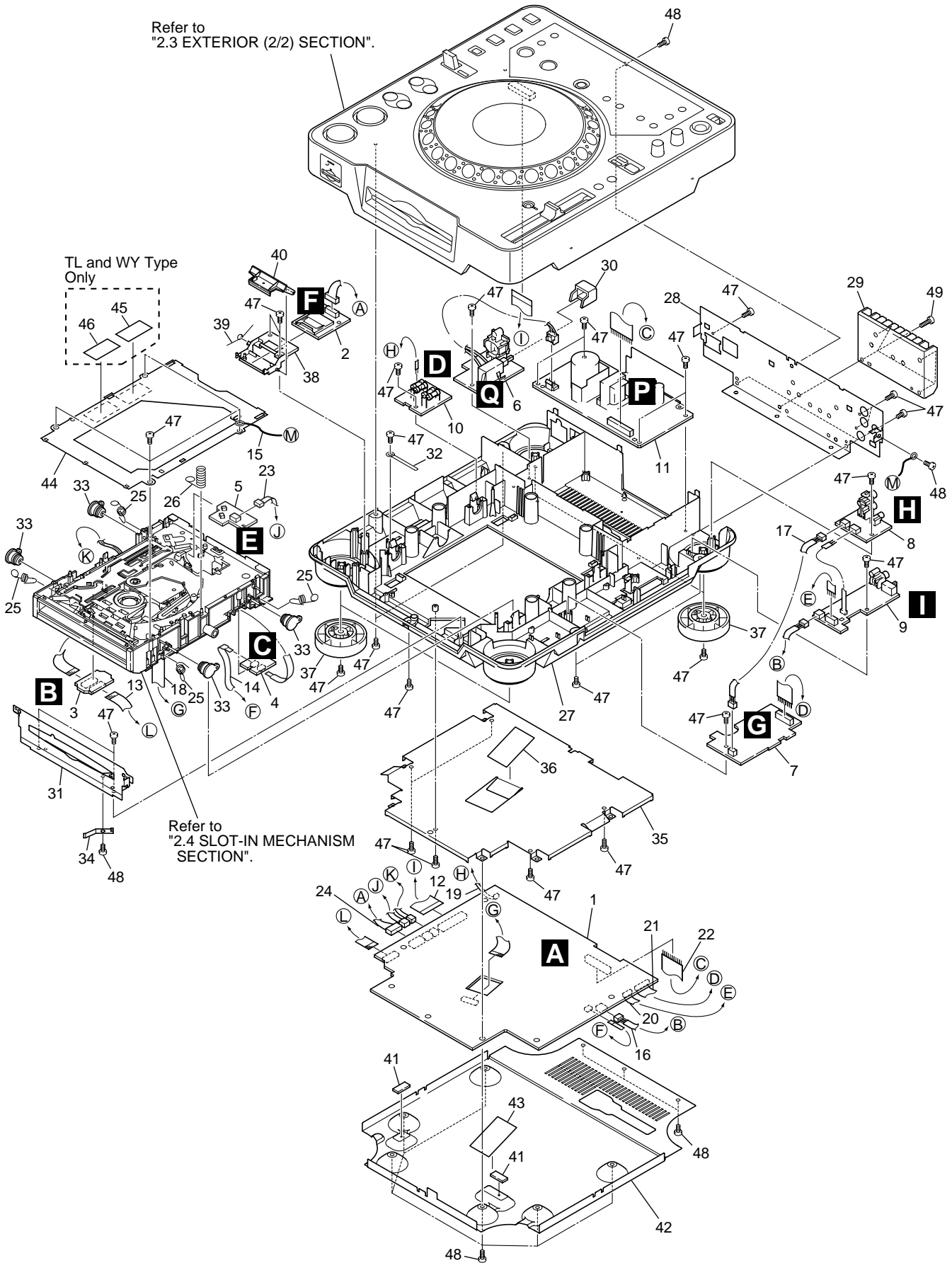


## 2.2 EXTERIOR (1/2) SECTION



**(1) EXTERIOR (1/2) SECTION PARTS LIST**

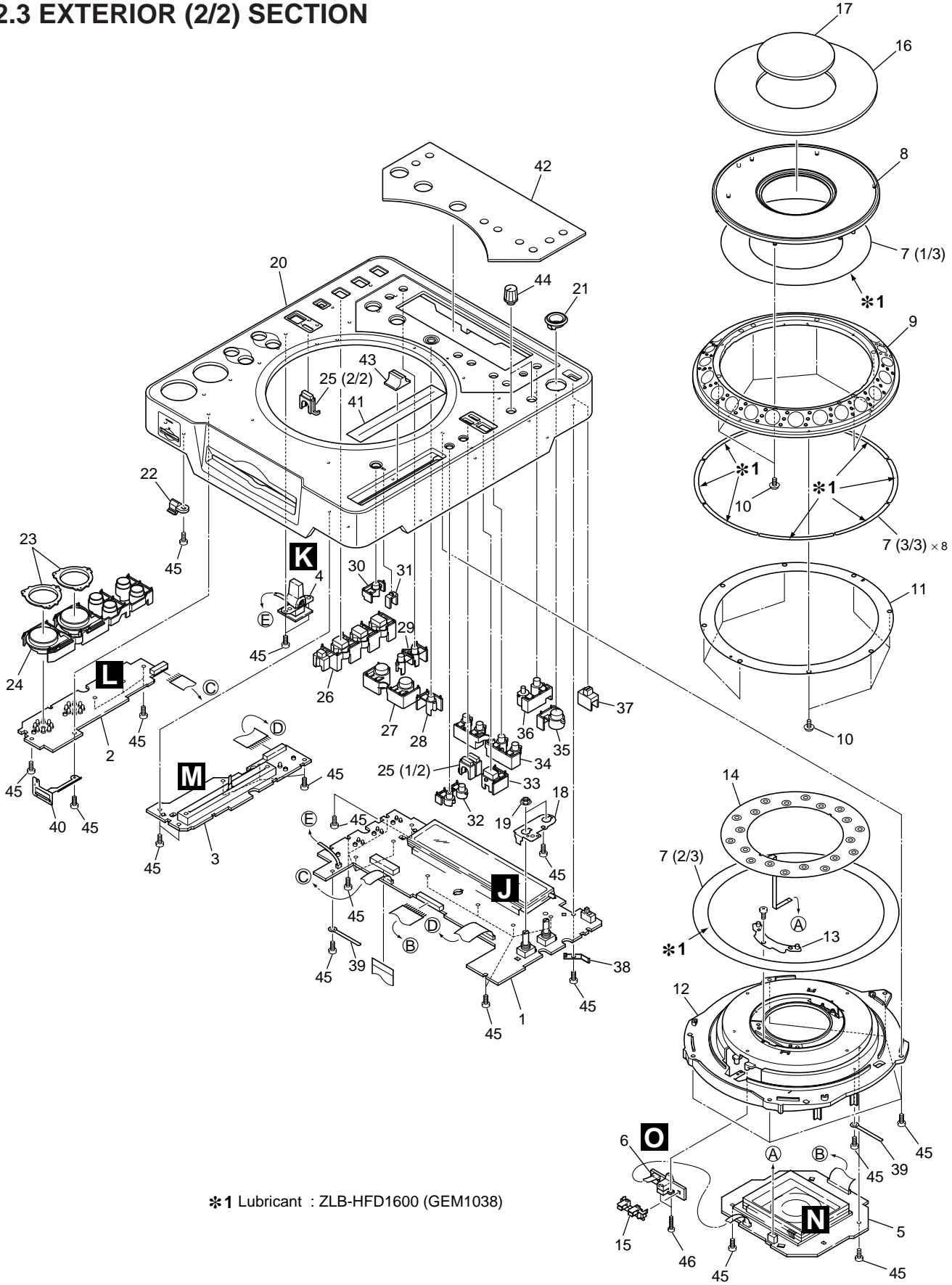
Mark	No.	Description	Part No.	Mark	No.	Description	Part No.
	1	MAIN Assy	DWX2161		26	Earth Spring	DBH1398
	2	MCCB Assy	DWX2169		27	Chassis	DNK3869
	3	SPCN Assy	DWX2170	NSP	28	Rear Panel	See Contrast table (2)
	4	STCN Assy	DWX2171		29	Heat Sink	DNG1081
	5	SLMB Assy	DWX1309		30	Power Knob	DAC1895
	6	PSWB Assy	See Contrast table (2)		31	Front Plate	DNH2480
	7	DABB Assy	DWX2162		32	Cord Clamper	RNH-184
	8	JACB Assy	DWX2163		33	Damper	CNV6011
	9	DOUT Assy	DWX2164		34	Earth Plate (CU)	VBK1070
	10	FLRB Assy	DWX2166		35	Shield Case	DNH2481
△	11	SW POWER SUPPLY Assy	DWR1344		36	Shield Cushion	DEC2445
	12	25P Flexible Cable/60V	DDD1189		37	Insulator Assy	DXA1904
	13	12P Flexible Cable/60V	DDD1190		38	Memory Holder	DNK3884
	14	4P Flexible Cable/60V	DDD1191		39	Flap Spring	DBH1487
	15	Earth Lead Unit/300V	DDF1015		40	SD Flap	DNK3883
	16	Connector Assy 3P	DKP3546	NSP	41	Silicone Rubber D5L	DEB1456
	17	Connector Assy 3P	DKP3548		42	Bottom Plate	DNH2479
	18	FPC D5 Slot	DNP1951		43	Bottom Cushion	DEC2444
	19	Jumper Wire 03P	D20PYY0310E		44	Mecha Plate	DNH2339
	20	Jumper Wire 05P	D20PYY0510E		45	Caution Label	See Contrast table (2)
	21	Jumper Wire 09P	D20PYY0910E	NSP	46	Caution Label HE	See Contrast table (2)
	22	Jumper Wire 15P	D20PYY1510E		47	Screw	BPZ30P080FZK
	23	Connector Assy	PF03PP-B30		48	Screw	BBZ30P060FZK
	24	Connector Assy	PG07KK-F15		49	Screw	BBZ30P120FZK
	25	Float Spring (G5)	DBH1485				

**(2) CONTRAST TABLE**

CDJ-1000/KUC, TL and WY types are constructed the same except for the following :

Mark	No.	Symbol and Description	Part No.			Remarks
			KUC Type	TL Type	WY Type	
NSP	6	PSWB Assy	DWS1312	DWS1311	DWS1311	
	28	Rear Panel	DNC1576	DNC1577	DNC1567	
NSP	45	Caution Label	Not used	VRW1094	VRW1094	
	46	Caution Label HE	Not used	VRW1297	VRW1297	

2.3 EXTERIOR (2/2) SECTION



\*1 Lubricant : ZLB-HFD1600 (GEM1038)

## ● EXTERIOR (2/2) SECTION PARTS LIST

Mark	No.	Description	Part No.
	1	MFLB Assy	DWG1548
	2	KSWB Assy	DWS1307
	3	SLDB Assy	DWS1308
	4	RSWB Assy	DWS1310
	5	JFLB Assy	DWG1549
	6	JOGB Assy	DWG1550
	7	JOG Sheet Assy	DXB1757
	8	JOG Dial A	DNK3870
	9	JOG Dial B	DNK3871
	10	Screw	PBA1062
	11	Encoder Plate	DEC2425
	12	JOG Holder	DNK3872
	13	JOG Stay Assy	DXB1760
	14	Sheet SW	DSX1057
	15	Encoder Guide	DNK3873
	16	JOG Plate	DAH2052
	17	JOG Panel	DAH2051
	18	VR Stay	DNF1663
	19	Flange Nut (M9)	DBN1004
	20	Control Panel	DNK3875
	21	Eject Guard	DNK3958
	22	Card Lens	DNK3885
	23	Ring Lens	DNK3880
	24	Set Knob (PLAY) Assy	DXB1750
	25	Mode Lens	DNK3881
	26	Set Knob (HS)	DAC1986
	27	Set Knob (LOOP)	DAC1995
	28	Re-loop Knob	DAC1992
	29	Set Knob (TIME)	DAC1991
	30	Tempo Reset Knob	DAC1993
	31	Tempo Lens	DNK3882
	32	Set Knob (MT)	DAC1987
	33	Mode Select Knob	DAC1989
	34	Set Knob (SC)	DAC1988
	35	Eject Knob	DAC1990
	36	Set Knob (MEMO)	DAC1994
	37	Slide SW Knob	DAC1926
	38	Earth Plate (CU)	VBK1070
NSP	39	Cord Clamper	Z09-061
	40	Card Plate	DBK1212
	41	Slide Sheet 1C	DAH1988
	42	Display Panel	DAH2022
	43	Slide Knob	DNK2936
	44	Rotary Knob C	DAA1143
	45	Screw	BPZ30P080FZK
	46	Screw	BPZ20P120FMC