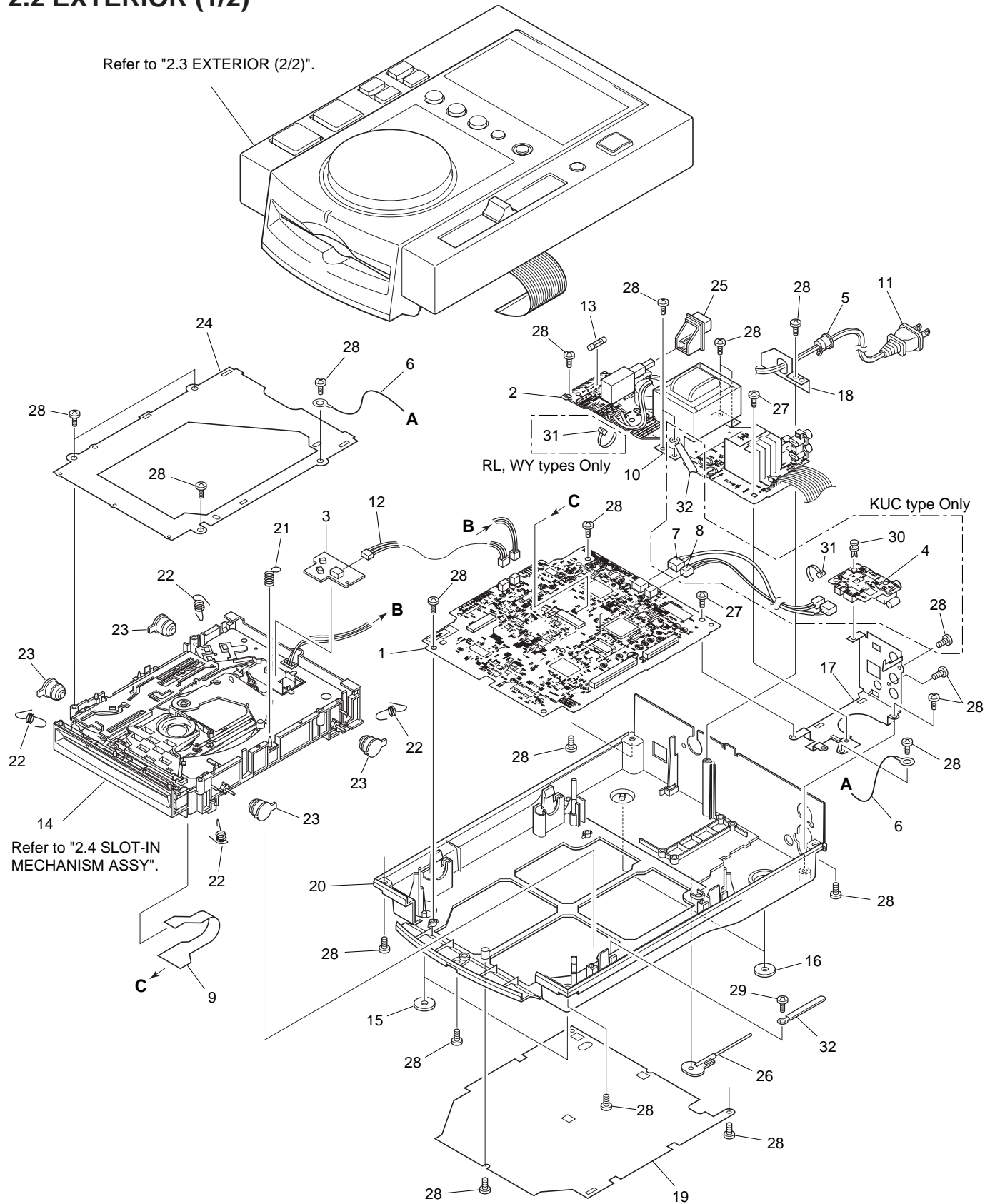


## 2.2 EXTERIOR (1/2)



**(1) EXTERIOR (1/2) PARTS LIST**

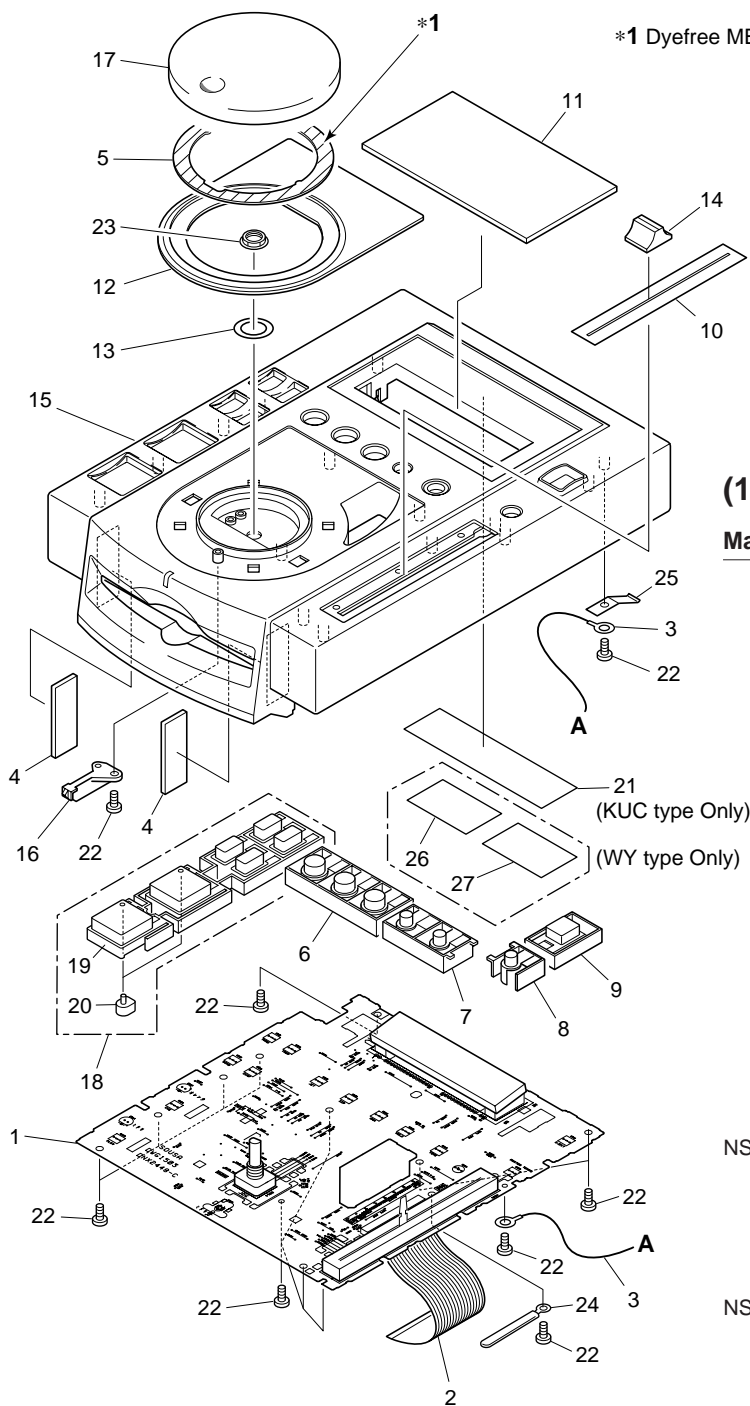
Mark	No.	Description	Part No.	Mark	No.	Description	Part No.
	1	MOTHER BOARD ASSY	See Contrast table (2)		26	Push Rod	DEX1008
	2	TRANS BOARD ASSY	See Contrast table (2)		27	Screw	BBZ30P080FMC
NSP	3	SL MECHA BOARD ASSY	DWS1294		28	Screw	BPZ30P080FZK
NSP	4	DIGITAL OUT BOARD ASSY	See Contrast table (2)		29	Screw	BPZ30P140FMC
	5	Strain Relief	See Contrast table (2)		30	Nylon Rivet (3 × 4.5)	See Contrast table (2)
	6	Earth Lead Unit/300V	DDF1010		31	Binder	ZCA-SKB90BK
	7	Connector Assy	See Contrast table (2)	NSP	32	Binder	Z09-061
	8	Connector Assy (2P)	See Contrast table (2)				
	9	S Flex	DNP1748				
△	10	Power Transformer	See Contrast table (2)				
△	11	AC Power Cord	See Contrast table (2)				
△	12	Connector Assy	PF03PP-B30				
△	13	Fuse (FU1)	See Contrast table (2)				
NSP	14	Slot-in Mechanism Assy	DXA1845				
	15	Insulator	DEC2235				
	16	Insulator MO	DEC2250				
	17	Earth Plate	DNF1588				
	18	Cable Stay	DNF1589				
	19	Bottom Plate	See Contrast table (2)				
NSP	20	Chassis	See Contrast table (2)				
	21	Earth Spring	DBH1398				
	22	Float Spring	DBH1428				
	23	Damper	DEC2236				
	24	Mecha Holder	DNH2339				
	25	Power Knob	DAC1895				

**(2) CONTRAST TABLE**

CDJ-100S/KUC, RL and WY are constructed the same except for the following:

Mark	No.	Symbol and Description	Part No.			Remarks
			KUC type	RL type	WY type	
NSP	1	MOTHER BOARD Assy	DWM2078	DWM2079	DWM2079	
	2	TRANS BOARD Assy	DWR1298	DWR1301	DWR1300	
	4	DIGITAL OUT BOARD Assy	DWZ1082	Not used	Not used	
	5	Strain Relief	CM-22C	CM-22B	CM-22B	
	7	Connector Assy	DKP3408	Not used	Not used	
	8	Connector Assy (2P)	DKP3409	Not used	Not used	
△	10	Power Transformer (AC120V)	DTT1148	Not used	Not used	
△	10	Power Transformer	Not used	DTT1149	Not used	
		(AC110-120V/220-240V)				
△	10	Power Transformer (AC220-240V)	Not used	Not used	DTT1150	
△	11	AC Power Cord	PDG1063	PDG1003	PDG1003	
△	13	Fuse (FU1)	VEK1009	AEK1051	AEK1051	
	19	Bottom Plate	DNH2341	DNH2338	DNH2338	
NSP	20	Chassis	DNK3562	DNK3561	DNK3553	
	30	Nylon Rivet (3 × 4.5)	RBM-003	Not used	Not used	

### 2.3 EXTERIOR (2/2)



### (1) EXTERIOR (2/2) PARTS LIST

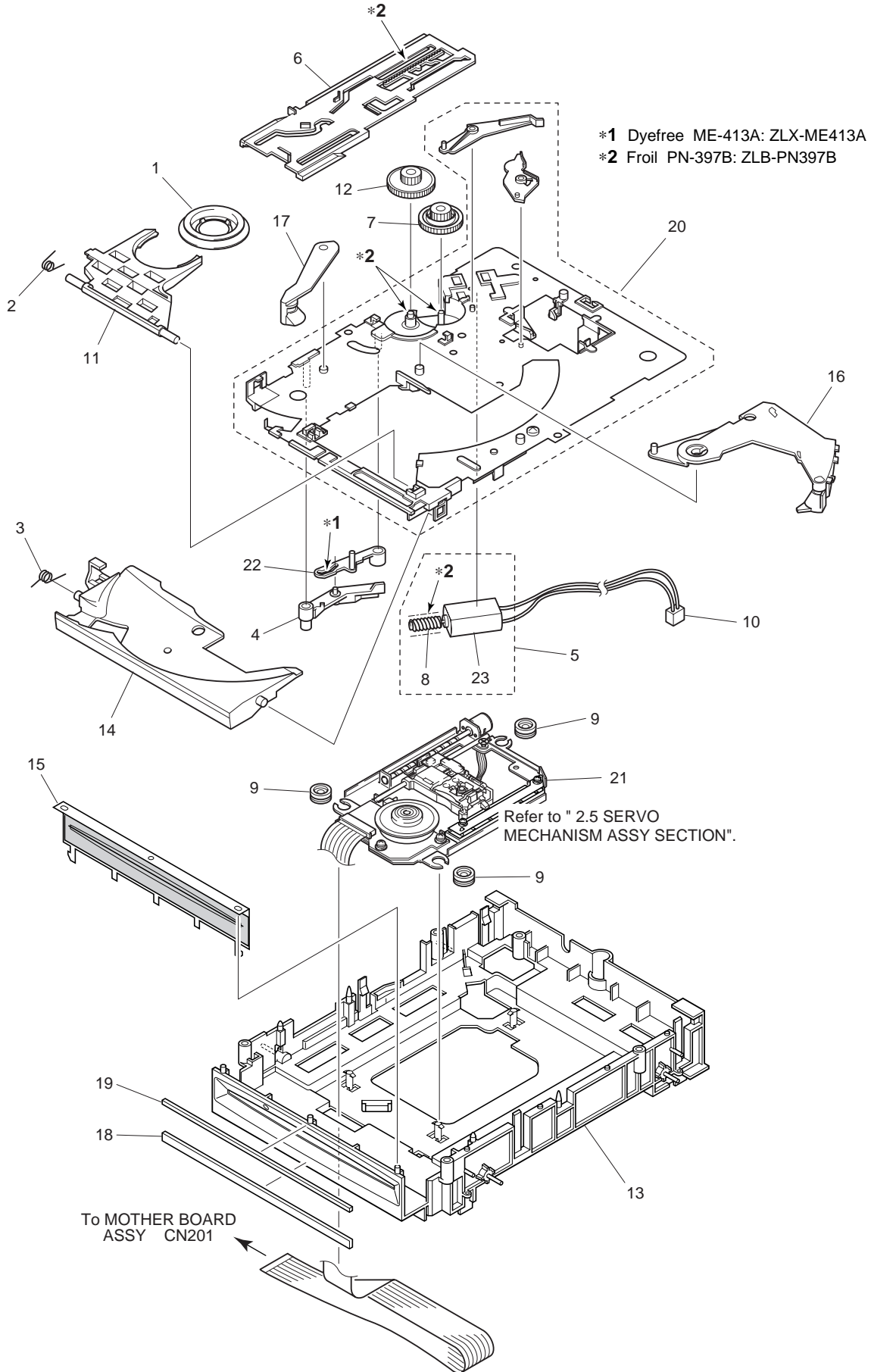
Mark	No.	Description	Part No.
	1	DISPLAY BOARD ASSY	DWG1503
	2	36P F-F-C/60V	DDD1131
	3	Earth Lead Unit/300V	PDF1104
	4	Cushion C	DEC2259
	5	POM Ring	DNK3556
	6	Knob B	DAC1891
	7	Time Knob	DAC1892
	8	MT Knob	DAC1893
	9	Eject Knob	DAC1894
	10	Slide Sheet	DAH1855
	11	Display Plate	DAH1886
	12	Ring Plate	DAH1887
	13	Jog Washer	DBF1001
	14	Slide Knob	DNK2936
	15	Control Panel	DNK3552
	16	Disc Indicator	DNK3555
	17	Jog Dial	DNK3625
	18	Knob A Assy	DXA1846
NSP	19	Knob A	DAC1890
	20	LED Lens	PNW2019
	21	65 Label	See Contrast table (2)
	22	Screw	BPZ30P080FZK
	23	Nut (M9)	DBN1004
NSP	24	Binder	Z09-061
	25	Earth Plate	VBK1070
	26	Caution Label	See Contrast table (2)
NSP	27	Caution Label HE	See Contrast table (2)

### (2) CONTRAST TABLE

CDJ-100S/KUC, RL and WY are constructed the same except for the following:

Mark	No.	Symbol and Description	Part No.			Remarks
			KUC type	RL type	WY type	
NSP	21	65 Label	ORW1069	Not used	Not used	
	26	Caution Label	Not used	Not used	VRW1094	
	27	Caution Label HE	Not used	Not used	VRW1297	

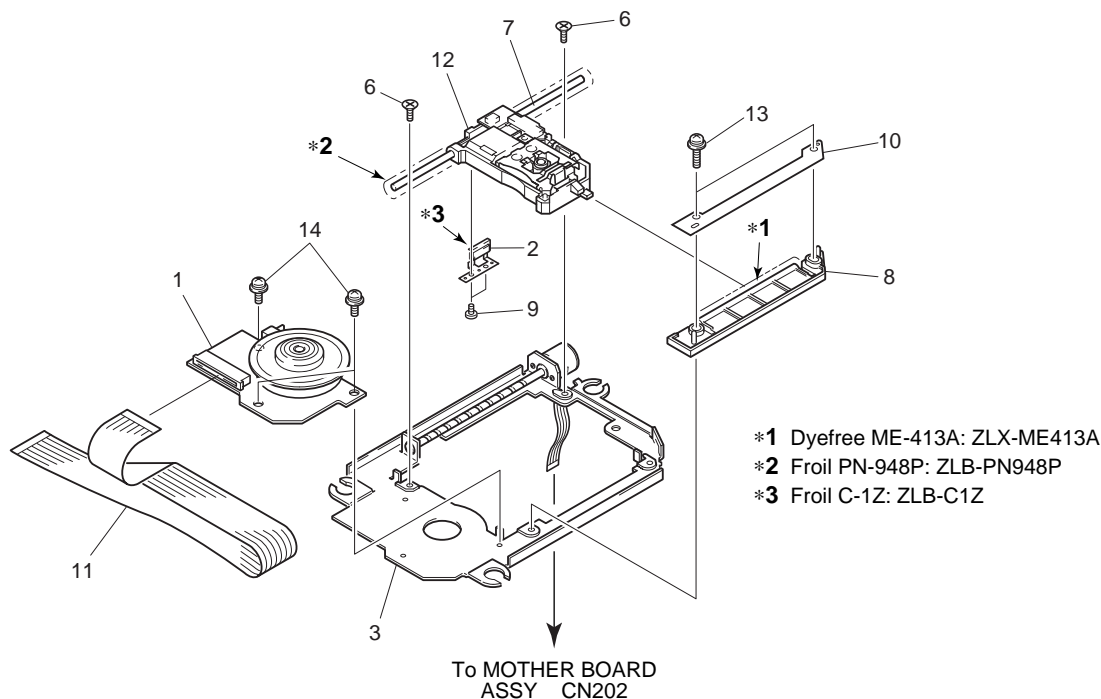
2.4 SLOT-IN MECHANISM ASSY



■ SLOT-IN MECHANISM ASSY PARTS LIST

Mark	No.	Description	Part No.	Mark	No.	Description	Part No.
	1	Clamper Assy	DXA1821		16	Eject Lever	DNK3548
	2	Clamp Spring	DBH1374		17	Loading Lever	DNK3406
	3	Guide Spring	DBH1375		18	Cushion A	DEC2257
	4	Lever B	DNK3558		19	Cushion B	DEC2258
	5	Loading Motor Assy-S	DEA1008		20	Loading Base Assy-S	DXX2431
	6	Main Cam	DNK3407		21	Servo Mechanism Assy-S	DXX2432
	7	Loading Gear	DNK3409		22	Lever A	DNK3564
NSP	8	Worm Gear	DNK3410	NSP	23	Loading Motor	DXM1093
	9	Mount Bush	DEB1328				
	10	Connector Assy	PF02PY-B27				
	11	Clamp Arm	DNK3404				
	12	Drive Gear	DNK3565				
	13	Float Base Assy	DXB1683				
	14	Disc Guide	DNK3478				
	15	Front Sheet	DED1132				

2.5 SERVO MECHANISM ASSY



■ SERVO MECHANISM ASSY PARTS LIST

Mark	No.	Description	Parts No.	Mark	No.	Description	Parts No.
	1	Spindle Motor	DXM1084		8	Sub Guide Shaft	DNK3638
	2	Screw Guide	DNK3238		9	Screw	ABA7022
	3	Pulse Motor Frame	DXM1085		10	Stopper	DNH2355
	4	.....					
	5	.....					
	6	Screw	CMZ20P060FMC	NSP	11	SPD Card	DDX1165
	7	Guide Shaft	DLA1731		12	Pickup Assy	DWY1069
					13	Screw	PMA20P080FMC
					14	Screw	PMH20P040FCC