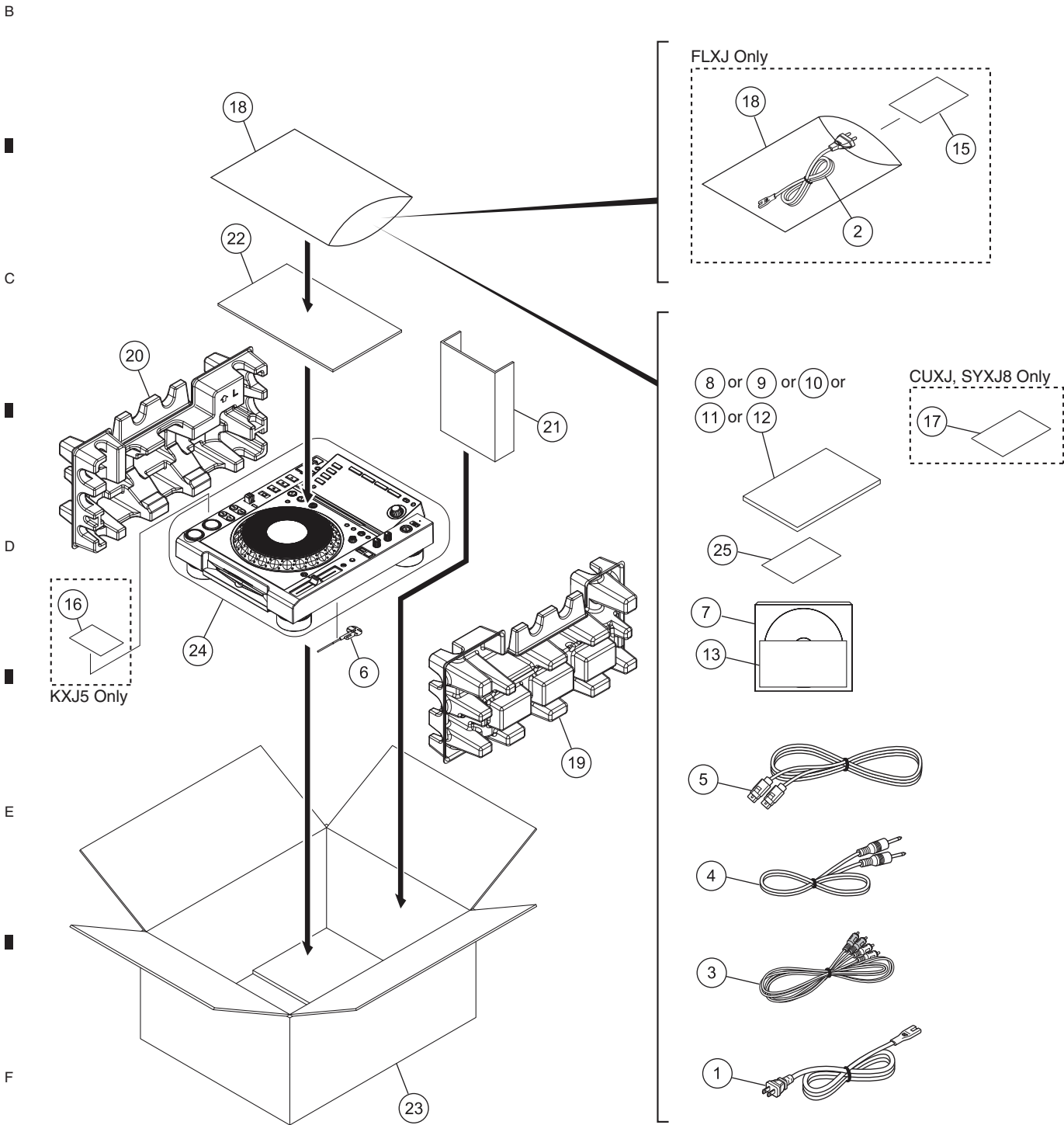


# 9. EXPLODED VIEWS AND PARTS LIST

NOTES: ● Parts marked by "NSP" are generally unavailable because they are not in our Master Spare Parts List.

- The  $\triangle$  mark found on some component parts indicates the importance of the safety factor of the part. Therefore, when replacing, be sure to use parts of identical designation.
- Screws adjacent to  $\nabla$  mark on product are used for disassembly.
- For the applying amount of lubricants or glue, follow the instructions in this manual. (In the case of no amount instructions, apply as you think it appropriate.)

## 9.1 PACKING SECTION



**(1) PACKING SECTION PARTS LIST**

<u>Mark No.</u>	<u>Description</u>	<u>Part No.</u>	<u>Mark No.</u>	<u>Description</u>	<u>Part No.</u>
⚠	1 Power Cable	See Contrast table (2)	NSP 16	Recycle Label M	See Contrast table (2)
⚠	2 Power Cable	See Contrast table (2)	NSP 17	Warranty Card	See Contrast table (2)
	3 Audio Cable (L = 1.5 m)	XDE3045	NSP 18	Polyethylene Bag (0.06 x 230 x 340)	AHG7117
	4 Control Cord (L = 1 m)	XDE3063			
	5 LAN Cable (1M UTP)	DDE1130	19	Pad (R)	DHA1788
	6 Disc Force Eject Pin	DEX1013	20	Pad (L)	DHA1789
	7 CD-ROM (rekordbox)	DXX2598	21	Spacer	DHA1802
	8 Operating Instructions	See Contrast table (2)	22	Accessory Pad	DHA1803
	9 Operating Instructions	See Contrast table (2)	23	Packing Case	See Contrast table (2)
	10 Operating Instructions	See Contrast table (2)	24	Packing Sheet	RHC1023
	11 Operating Instructions	See Contrast table (2)	25	Information Sheet	DRM1338
	12 Operating Instructions	See Contrast table (2)			
NSP	13 License Key Label	DRW2402			
	14 •••••				
NSP	15 Caution Card SB	See Contrast table (2)			

**(2) CONTRAST TABLE**

CDJ-2000/CUXJ, SYXJ8, FLXJ, KXJ5 and AXJ5 are constructed the same except for the following:

<u>Mark</u>	<u>No.</u>	<u>Symbol and Description</u>	<u>CDJ-2000 /CUXJ</u>	<u>CDJ-2000 /SYXJ8</u>	<u>CDJ-2000 /FLXJ</u>	<u>CDJ-2000 /KXJ5</u>	<u>CDJ-2000 /AXJ5</u>
⚠	1	Power Cable	ADG7021	ADG1154	ADG1154	XDG3054	ADG7079
⚠	2	Power Cable	Not used	Not used	ADG7097	Not used	Not used
	8	Operating Instructions (En, Fr)	DRB1474	Not used	Not used	Not used	Not used
	9	Operating Instructions (En, Fr, De, It, Ni, Es, Ru)	Not used	DRB1475	Not used	Not used	Not used
	10	Operating Instructions (En, Es, Zhtw)	Not used	Not used	DRB1476	Not used	Not used
	11	Operating Instructions (Ko)	Not used	Not used	Not used	DRB1478	Not used
	12	Operating Instructions (ZHcn, En)	Not used	Not used	Not used	Not used	DRB1477
NSP	15	Caution Card SB	Not used	Not used	ARM7064	Not used	Not used
NSP	16	Recycle Label M	Not used	Not used	Not used	DRW2307	Not used
NSP	17	Warranty Card	ARY7043	ARY7107	Not used	Not used	Not used
	23	Packing Case	DHG2800	DHG2799	DHG2801	DHG2804	DHG2803

# 9.2 EXTERIOR SECTION

1

2

3

4

A

Refer to  
"9.3 CONTROL PANEL SECTION".

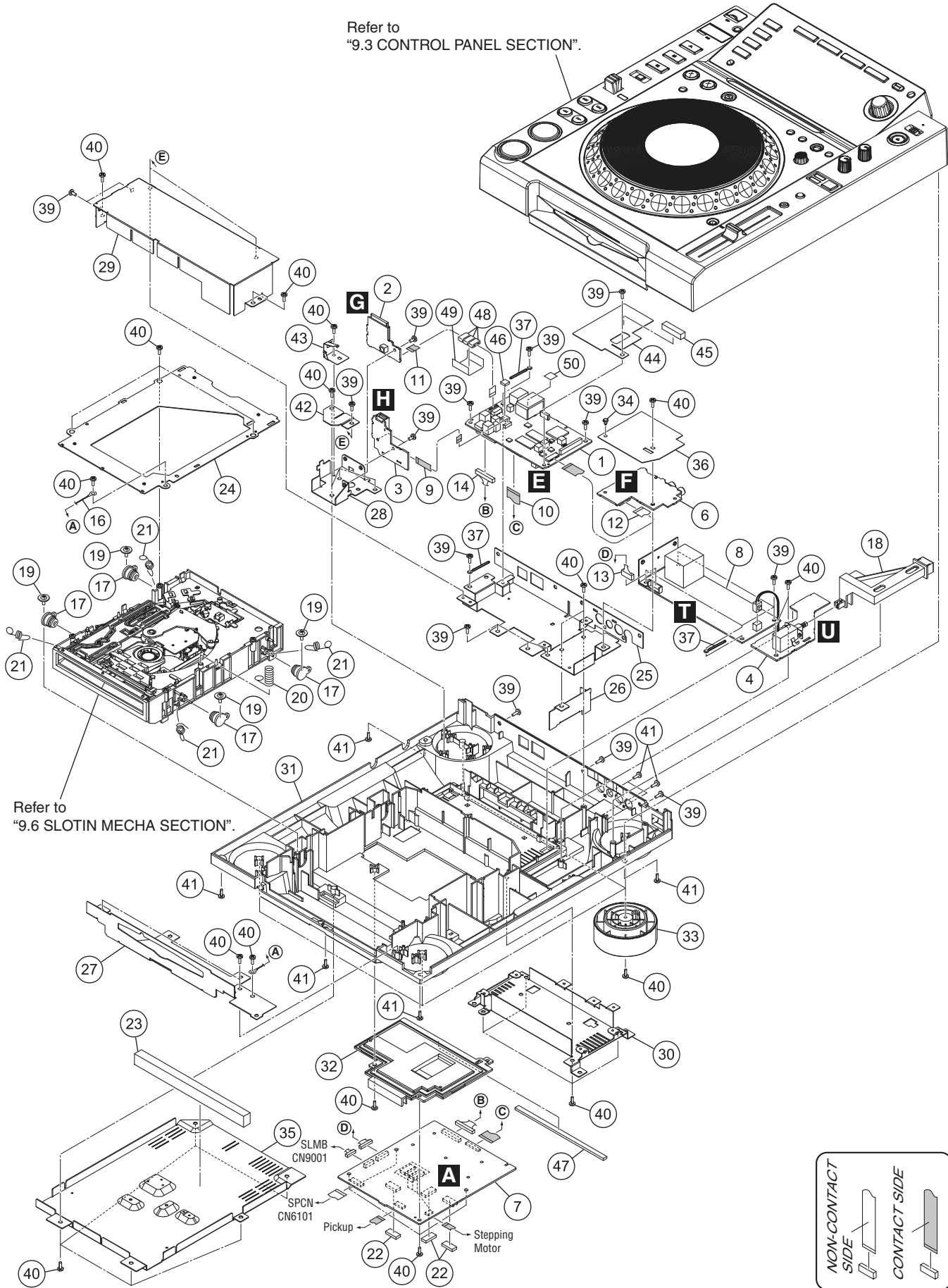
B

C

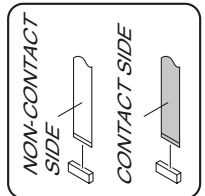
D

E

F



Refer to  
"9.6 SLOTIN MECHA SECTION".



1

2

3

4

**(1) EXTERIOR SECTION PARTS LIST**

<u>Mark No.</u>	<u>Description</u>	<u>Part No.</u>	<u>Mark No.</u>	<u>Description</u>	<u>Part No.</u>
1	MAIN Assy	DWG1660	26	Inlet Shield	DNH2856
2	SDCB Assy	DWX2980	27	Front Plate	DNH2857
3	USBA Assy	DWX3043	28	SD Stay	DNH2858
4	ACIN Assy	See Contrast table (2)	29	Shield Case	DNH2859
5	•••••		30	SWPS Stay	DNH2890
6	JACB Assy	DWX2988	31	Chassis	See Contrast table (2)
7	SRVA Assy	DWX2948	32	Servo Cover	DNK5492
⚠ 8	POWER SUPPLY Assy	DWR1463	33	Insulator Assy	DXB2057
9	14P FFC	DDD1478	34	Rivet (3 x 4.5)	RBM-003
10	40P FFC	DDD1479	35	Bottom Plate	See Contrast table (2)
11	10P FFC	DDD1480	36	Jack Cover	DEC3205
12	13P FFC	DDD1484	37	Cord Clamper (Steel)	RNH-184
13	Connector Assy	DKP3844	38	•••••	
14	Connector Assy 12P	DKP3845	39	Screw	BBZ30P060FTB
15	•••••		40	Screw	BPZ30P080FNI
16	Cord with Plug	DE007VE0	41	Screw	BPZ30P080FTB
17	Damper	CNV6011	42	SD Earth Plate	DNH2925
18	Power Knob	DAC2484	43	SD Earth Spring	DBK1357
19	DM Screw (FTC)	DBA1260	44	Main Cover	DEC3258
20	Earth Spring	DBH1398	45	FFC Cushion	DEC3248
21	Float Spring (G5)	DBH1494	46	EMC Sheet	DEC3259
NSP 22	Silicon Rubber D5 L	DEB1456	47	Vessel Cushion A	DEC2852
23	Bottom Packing	DEC3209	48	Ferrite Core	BTX1037
24	Mecha Plate	DNH2339	49	Cushion (FC)	DEC3249
25	MAIN PCB Stay	DNH2854	50	Tape	DEC3053

**(2) CONTRAST TABLE**

CDJ-2000/CUXJ, SYXJ8, FLXJ, KXJ5 and AXJ5 are constructed the same except for the following:

Mark	No.	Symbol and Description	CDJ-2000 /CUXJ	CDJ-2000 /SYXJ8	CDJ-2000 /FLXJ	CDJ-2000 /KXJ5	CDJ-2000 /AXJ5
	4	ACIN Assy	DWR1475	DWR1453	DWR1453	DWR1453	DWR1453
	31	Chassis	DNK5444	DNK5324	DNK5445	DNK5448	DNK5447
	35	Bottom Plate	DNH2893	DNH2852	DNH2904	DNH2903	DNH2902

# 9.3 CONTROL PANEL SECTION

1

2

3

4

A

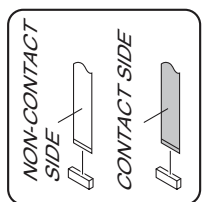
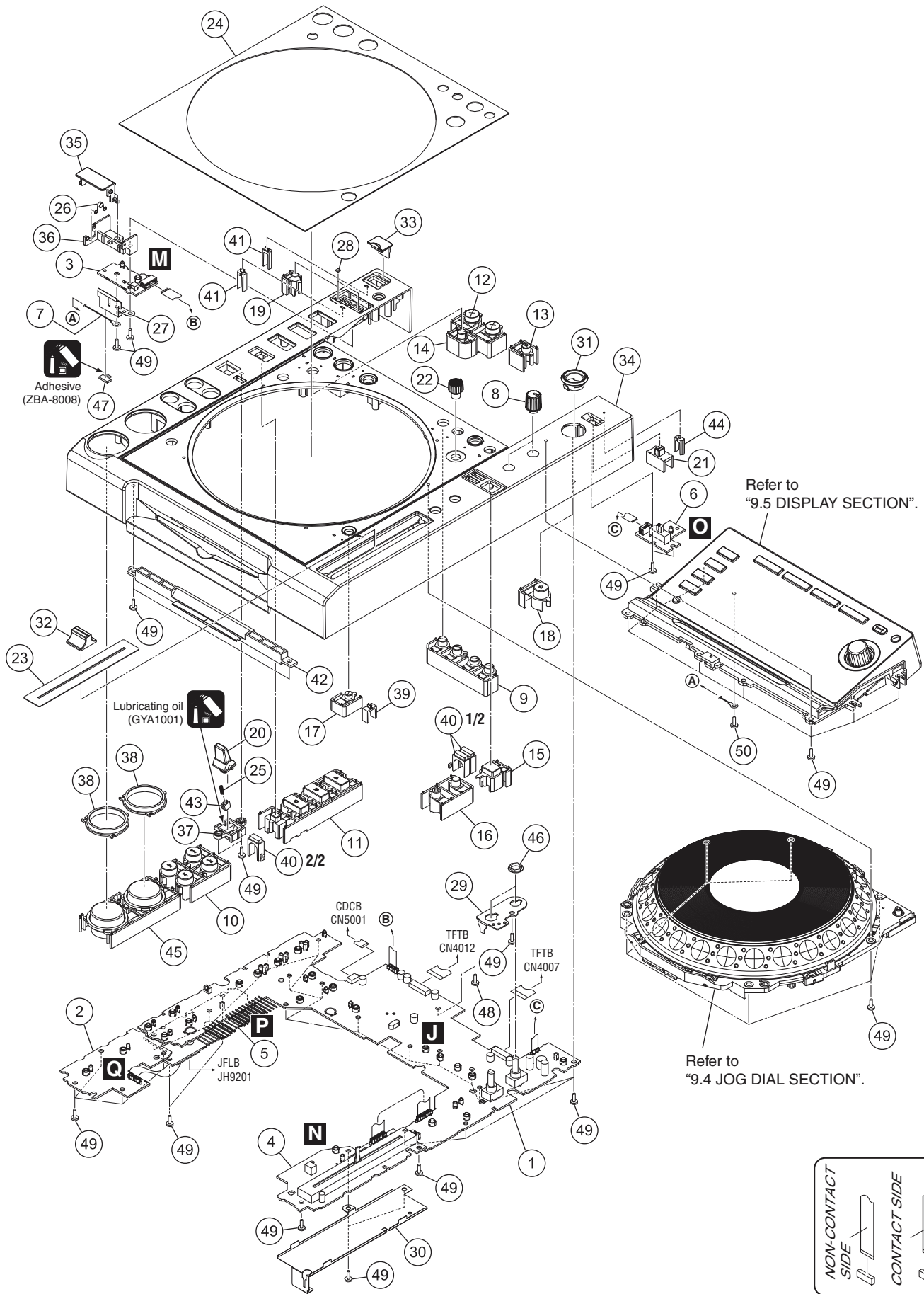
B

C

D

E

F



1

2

3

4

## CONTROL PANEL SECTION PARTS LIST

<u>Mark No.</u>	<u>Description</u>	<u>Part No.</u>	<u>Mark No.</u>	<u>Description</u>	<u>Part No.</u>
1	PNLB Assy	DWG1665	46	Flange Nut M9	DBN1008
2	KSWB Assy	DWS1409	47	Gasket (7 x 15 x 1)	DEC3259
3	SDSW Assy	DWS1420	48	Screw	BBZ30P060FTB
4	SLDB Assy	DWX2983	49	Screw	BPZ30P080FNI
5	CNCT Assy	DWX3009	50	Screw	BBZ26P060FTB
6	EUPB Assy	DWX3042			
7	Earth Lead Unit / 300V	DDF1032			
8	Rotary Knob C	DAA1194			
9	Button (CALL)	DAC2466			
10	Button (SERCH)	DAC2468			
11	Button (HOT CUE)	DAC2469			
12	Button (LOOP)	DAC2470			
13	Button (RELOOP)	DAC2471			
14	Button (4-BEAT LOOP)	DAC2472			
15	Button (JOG MODE)	DAC2473			
16	Button (TEMPO)	DAC2474			
17	Button (TEMPO REST)	DAC2475			
18	Button (EJECT)	DAC2476			
19	Button (USB STOP)	DAC2477			
20	Lever	DAC2478			
21	Slide SW Knob	DAC2479			
22	Adjust Knob Black	DAC2528			
23	Slide Sheet 1C	DAH2404			
24	Top Panel	DAH2703			
25	Lever Spring	DBH1702			
26	Spring	DBH1717			
27	Card Spring	DBK1340			
28	Door Cushion	DEB1780			
29	VR Stay	DNF1663			
30	Earth Plate	DNH2849			
31	Eject Guard	DNK3958			
32	Slide Knob	DNK4498			
33	USB Cover	DNK4999			
34	Control Panel	DNK5306			
35	SD Card Door	DNK5308			
36	SD Door Holder	DNK5309			
37	Lever Plate	DNK5312			
38	Ring Lens (PLAY)	DNK5315			
39	TEMPO Lens	DNK5316			
40	MODE Lens	DNK5317			
41	DEVICE Lens	DNK5318			
42	Front Lens	DNK5328			
43	Lever Cap	DNK5344			
44	EUP Lens	DNK5408			
45	PLAY Button Assy	DXB2069			

# 9.4 JOG DIAL SECTION

1 2 3 4

A

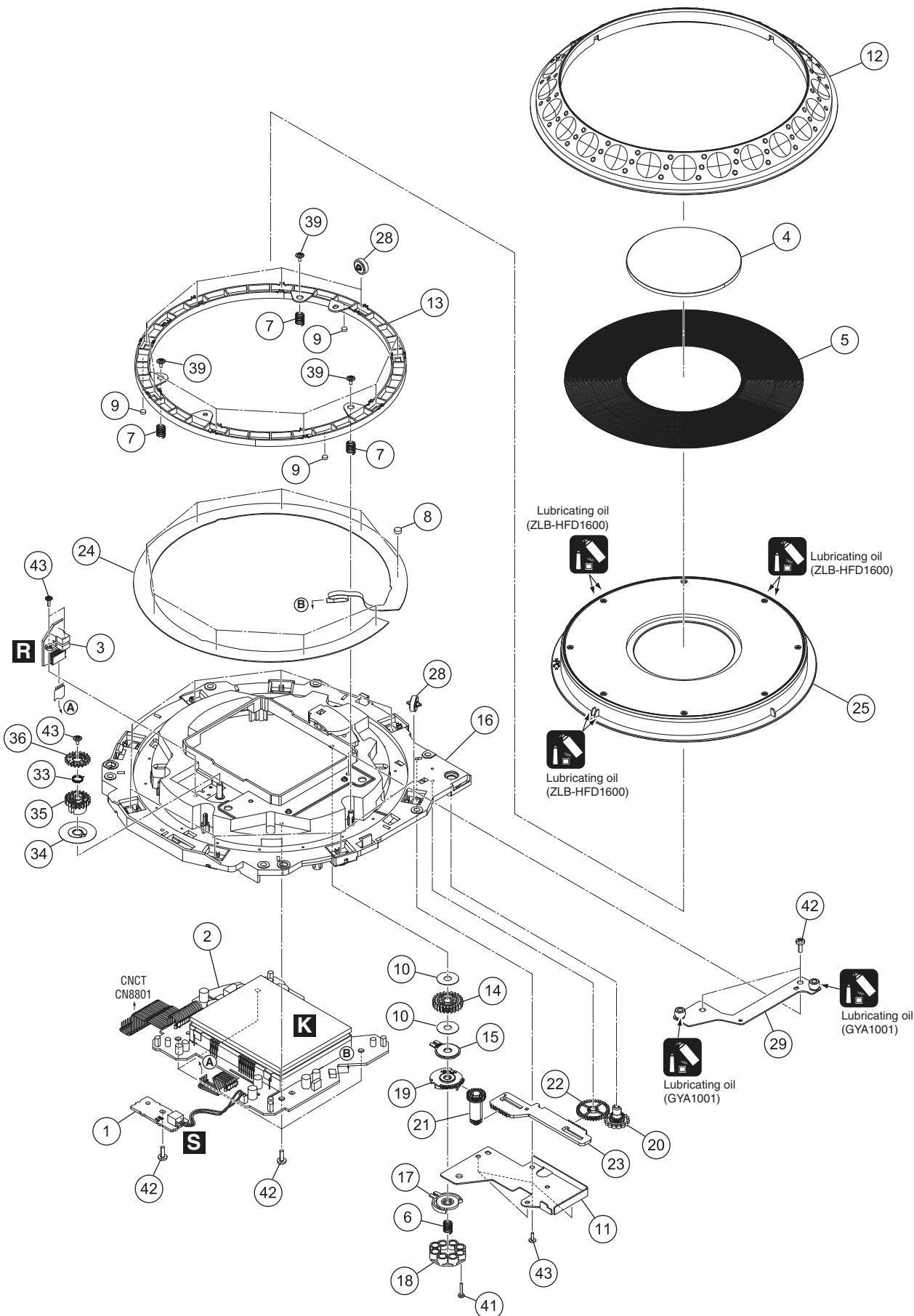
B

C

D

E

F



1 2 3 4

## JOG DIAL SECTION PARTS LIST

<u>Mark No.</u>	<u>Description</u>	<u>Part No.</u>	
1	INDB Assy	DWX2986	
2	JFLB Assy	DWX2984	A
3	JOGB Assy	DWX2985	
4	JOG Panel	DAH2609	
5	JOG Plate	DAH2679	
6	Load Spring	DBH1680	
7	SW Spring	DBH1681	
8	SW Cushion HH48/2	DEC2538	
9	Ring Cushion L24/2.0	DEC2958	
10	Washer	DEC3137	
11	Link Plate	DNH2848	B
12	JOG B	DNK4068	
13	SW Ring	DNK5233	
14	Load Gear	DNK5236	
15	Smoother	DNK5237	
16	JOG Holder	DNK5240	
17	Comp Plate	DNK5243	
18	Adjust Plate	DNK5300	
19	Cam Plate	DNK5301	
20	Dial Gear	DNK5302	C
21	Link Gear A	DNK5303	
22	Link Gear B	DNK5304	
23	Rack Plate	DNK5305	
24	Sheet SW	DSX1078	
25	JOG Dial A Assy	DXA2159	
26	.....		
27	.....		
28	Roller A Assy	DXB2010	
29	JOG Stay Assy	DXB2015	D
30	.....		
31	.....		
32	.....		
33	Encoder Spring	DBH1710	
34	Encoder Plate	DEC2889	
35	Gear A	DNK5241	
36	Gear B	DNK5242	
37	.....		
38	.....		
39	Screw (FE)	DBA1265	E
40	.....		
41	Screw	BPZ20P100FTC	
42	Screw	BPZ30P080FNI	
43	Screw	IPZ20P060FTC	



# 9.5 DISPLAY SECTION

1

2

3

4

A

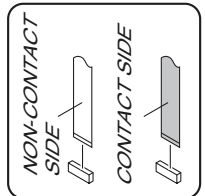
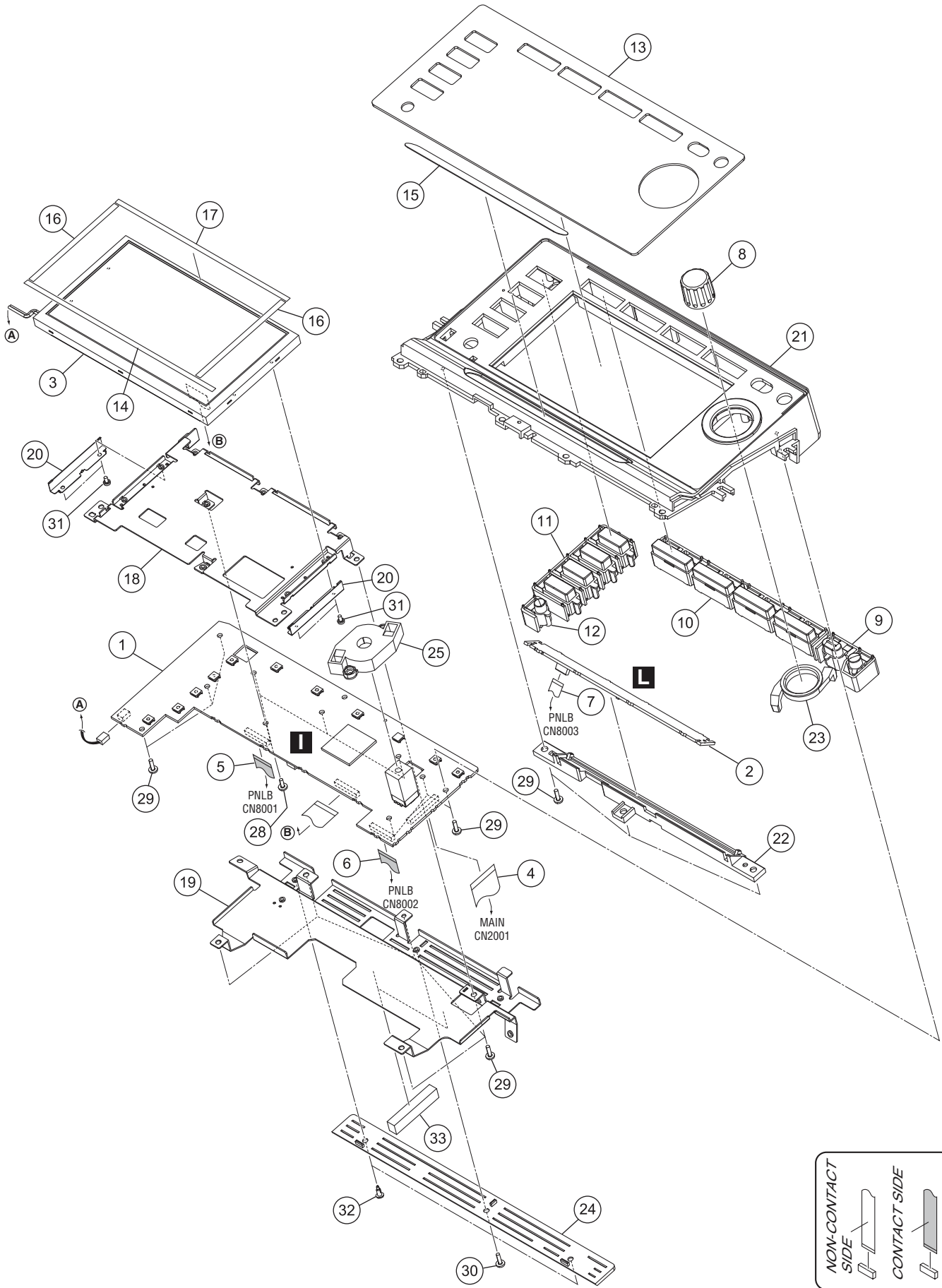
B

C

D

E

F



1

2

3

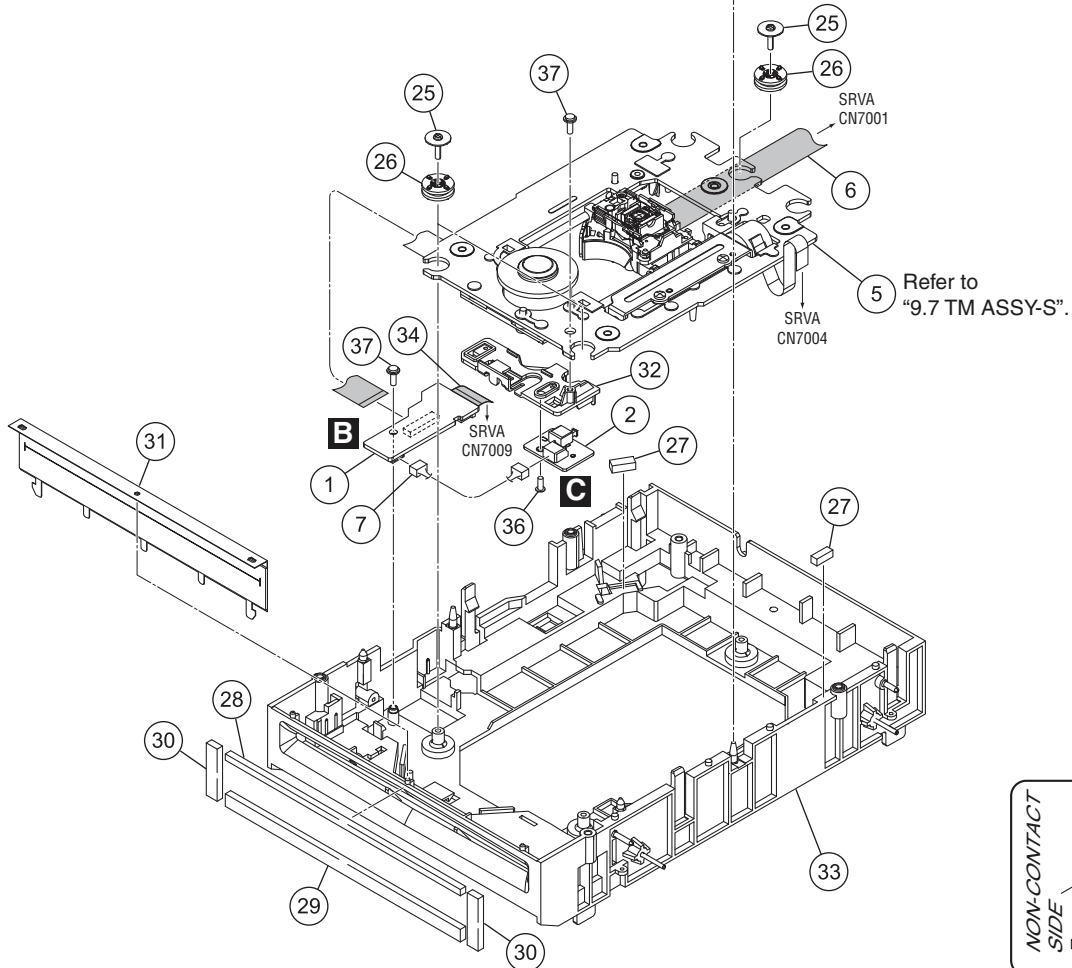
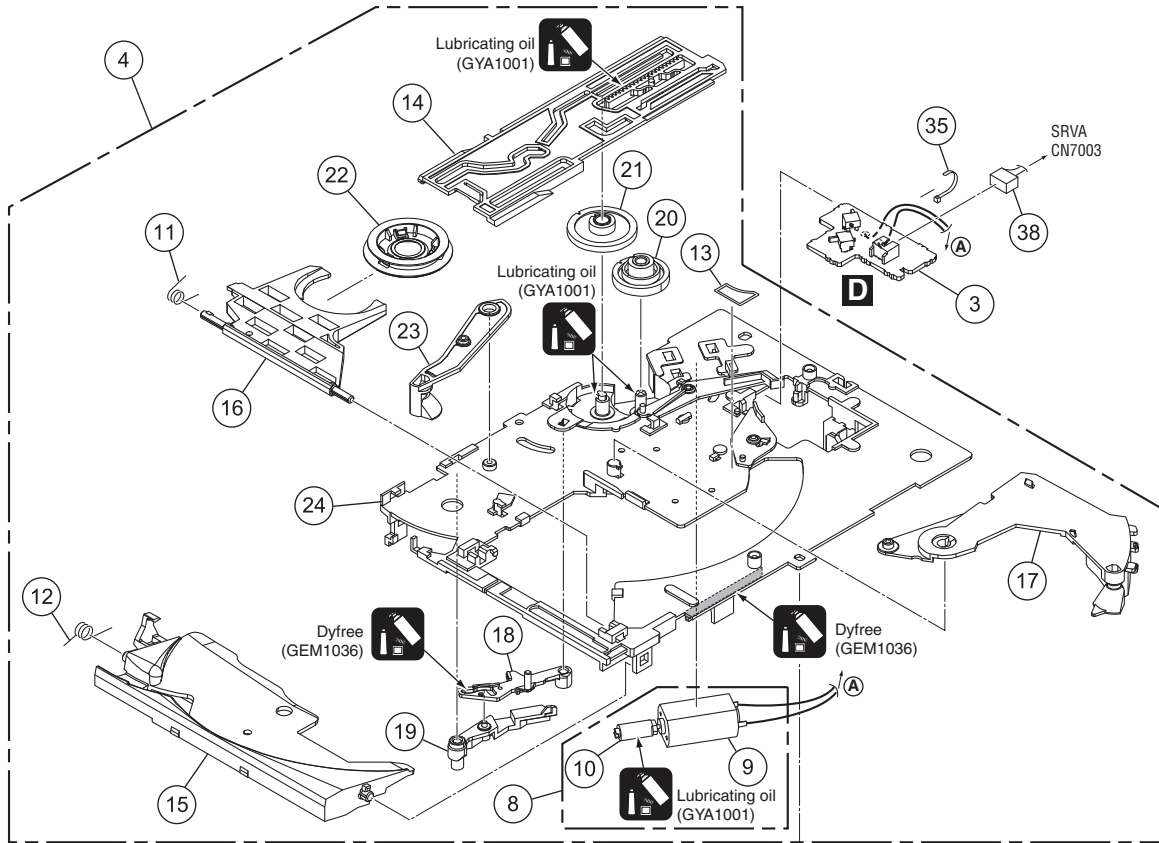
4

## DISPLAY SECTION PARTS LIST

<u>Mark No.</u>	<u>Description</u>	<u>Part No.</u>	
1	TFTB Assy	DWX2882	
2	CDCB Assy	DWX2987	A
3	LCD	DWX3126	
4	29P FFC	DDD1481	
5	18P FFC	DDD1482	
6	16P FFC	DDD1483	
7	7P FFC	DDD1485	
8	Dial Knob	DAA1246	
9	Button (MENU)	DAC2480	
10	Button (MODE SELECT)	DAC2481	
11	Button (DEVICE SELECT)	DAC2482	B
12	Button (TIME)	DAC2483	
13	Display Window	DAH2680	
14	LCD Packing (Bottom)	DEC3184	
15	CDC Sheet	DEC3187	
16	LCD Packing (Side)	DEC3192	
17	LCD Packing (Top)	DEC3193	
18	LCD Stay	DND1263	
19	Rear Bracket	DND1264	
20	LCD Holder	DNH2850	C
21	LCD Panel	DNK5319	
22	CDC Stay	DNK5320	
23	Ring Lens (BROWSE)	DNK5322	
24	LCD Bottom Plate	DNK5323	
25	Reflector	DNK5405	
26	•••••		
27	•••••		
28	Screw	BBZ26P060FTB	
29	Screw	BPZ26P080FTC	D
30	Screw	BBZ30P060FTB	
31	Screw	BSZ20P040FTB	
32	Rivet (Plastic)	RBM-003	
33	FFC Cushion	DEC3248	

# 9.6 SLOTIN MECHA SECTION

A  
B  
C  
D  
E  
F



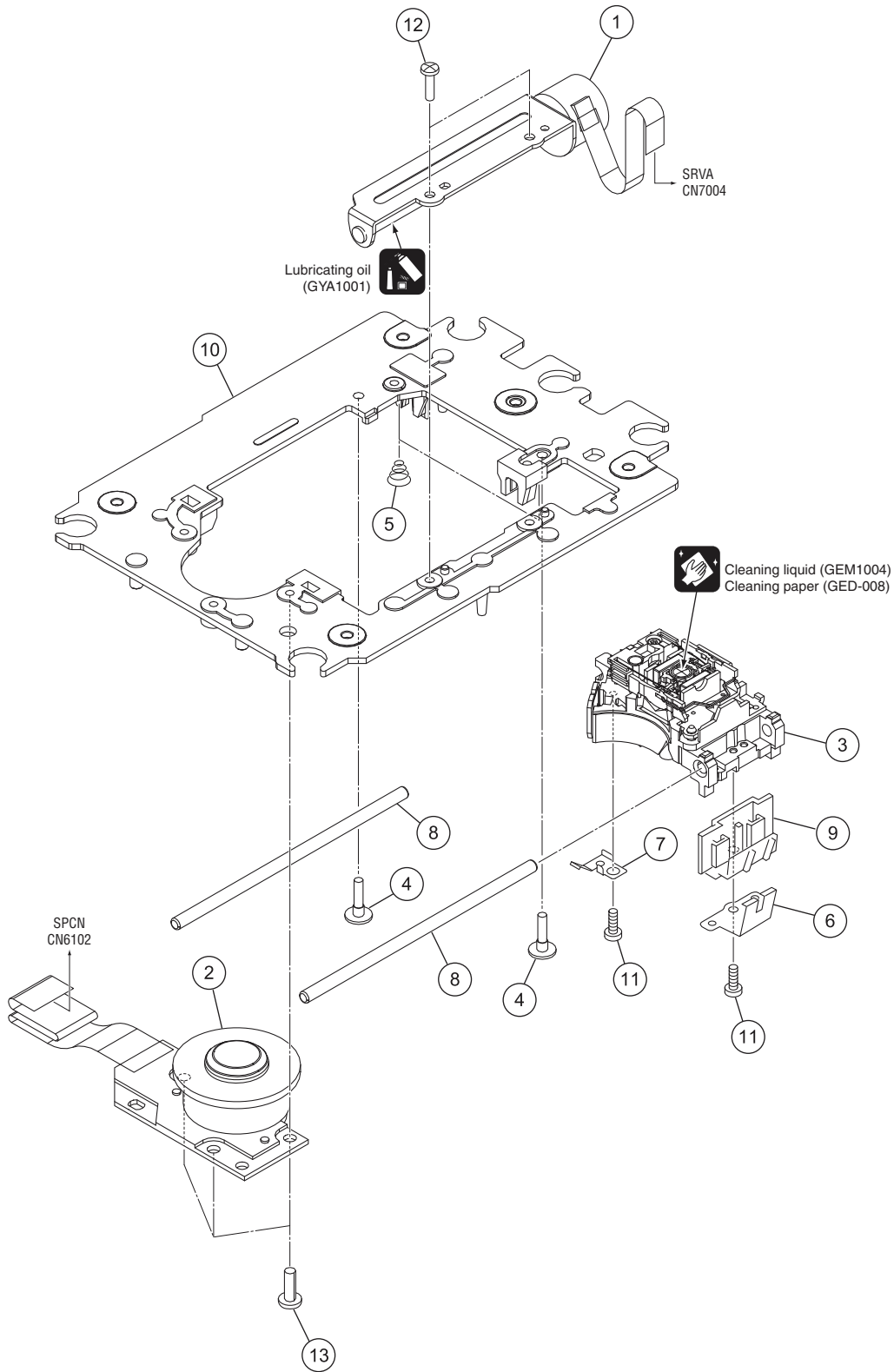
**SLOTIN MECHA SECTION PARTS LIST**

<u>Mark No.</u>	<u>Description</u>	<u>Part No.</u>	
	1 SPCN Assy	DWX2979	
	2 INSW Assy	DWS1407	A
	3 SLMB Assy	DWS1408	
NSP	4 SLOTIN MECHA G11Assy	DXA2163	
	5 TM Assy-S	DXX2595	
	6 24P FFC	DDD1460	
	7 Connector Assy 2P	DKP3769	
	8 DC MOTOR Assy-S	DXX2510	
NSP	9 DC Motor S	DXM1230	
NSP	10 Worm Gear	DNK3910	
	11 Clamp Spring	DBH1374	B
	12 Guide Spring	DBH1375	
	13 SW Lever Spacer	DEC2420	
	14 Main Cam	DNK3407	
	15 Disc Guide	DNK3478	
	16 Clamp Arm	DNK3576	
	17 Eject Lever	DNK3684	
	18 Lever AP	DNK3835	
	19 Lever BP	DNK3836	
	20 Loading Gear	DNK3911	C
	21 Drive Gear	DNK3912	
	22 Clamper Assy	DXA2043	
	23 Loading Lever Assy	DXB1880	
	24 Loading Base Assy-S	DEA1022	
	25 Float Screw	DBA1286	
	26 Float Rubber D3	DEB1404	
	27 Spacer POR (T3)	DEB1566	
	28 Vessel Cushion A	DEC2852	
	29 Vessel Cushion B	DEC2853	
	30 Vessel Cushion C	DEC2854	D
	31 Front Sheet	DED1132	
	32 Inside SW Base	DNK4236	
	33 Float Base G11 Assy	DXB1793	
	34 13P FFC	DDD1452	
	35 Binder (SKB-90BK)	ZCA-SKB90BK	
	36 Screw (2 x 5)	VBA1062	
	37 Screw	IPZ20P060FTC	
	38 Connector Assy	PF05PP-C25	E

1 2 3 4

# 9.7 TM ASSY-S

A  
B  
C  
D  
E  
F



**TM ASSY-S PARTS LIST**

<u>Mark No.</u>	<u>Description</u>	<u>Part No.</u>
NSP 1	Stepping Motor (SK)	DXM1227
NSP 2	Spindle Motor G11 (N)	DXM1231
NSP 3	05SD Pickup Assy R	OWY8075
NSP 4	Adjust Screw	DBA1263
NSP 5	Skew Spring (SWPB)	DBH1437
NSP 6	Joint Spring (J)	DBK1261
NSP 7	Slider Spring G11 (J)	DBK1262
NSP 8	Guide Shaft (S)	DLA1918
9	Joint	DNK3858
NSP 10	Mounting Plate G11 (J)	DNK4307
11	Tapping Screw 04	VBA1092
12	Screw	BPZ20P080FTC
13	Screw	BPZ26P080FTC

A

B

C

D

E

F

# 12. PCB PARTS LIST

NOTES: ● Parts marked by "NSP" are generally unavailable because they are not in our Master Spare Parts List.

● The  $\Delta$  mark found on some component parts indicates the importance of the safety factor of the part. Therefore, when replacing, be sure to use parts of identical designation.

● When ordering resistors, first convert resistance values into code form as shown in the following examples.

Ex.1 When there are 2 effective digits (any digit apart from 0), such as 560 ohm and 47 k ohm (tolerance is shown by J = 5%, and K = 10%).

560  $\Omega$   $\rightarrow$   $56 \times 10^1$   $\rightarrow$  561 ..... RD1/APU  $\begin{matrix} \boxed{5} & \boxed{6} & \boxed{7} & J \end{matrix}$

47 k $\Omega$   $\rightarrow$   $47 \times 10^3$   $\rightarrow$  473 ..... RD1/APU  $\begin{matrix} \boxed{4} & \boxed{7} & \boxed{3} & J \end{matrix}$

0.5  $\Omega$   $\rightarrow$  R50 ..... RN2H  $\begin{matrix} \boxed{R} & \boxed{5} & \boxed{0} & K \end{matrix}$

1  $\Omega$   $\rightarrow$  1R0 ..... RSIP  $\begin{matrix} \boxed{7} & \boxed{R} & \boxed{0} & K \end{matrix}$

Ex.2 When there are 3 effective digits (such as in high precision metal film resistors).

5.62 k $\Omega$   $\rightarrow$   $562 \times 10^1$   $\rightarrow$  5621 ..... RN1/4PC  $\begin{matrix} \boxed{5} & \boxed{6} & \boxed{2} & \boxed{7} & F \end{matrix}$

● Meaning of the figures and others in the parentheses in the parts list.

Example) IC 301 is on the point (face A, 91 of x-axis, and 111 of y-axis) of the corresponding PC board.

IC 301 (A, 91, 111) IC NJM2068V

Mark No.	Description	Part No.	Mark No.	Description	Part No.
----------	-------------	----------	----------	-------------	----------

## LIST OF ASSEMBLIES

	1..MAIN ASSY	DWG1660
NSP	1..PNLA ASSY	DWM2346
	2..PNLB ASSY	DWG1665
	2..KSWB ASSY	DWS1409
	2..SDSW ASSY	DWS1420
	2..SLDB ASSY	DWX2983
	2..CNCT ASSY	DWX3009
	2..EUPB ASSY	DWX3042
NSP	1..TFTA ASSY	DWM2355
	2..TFTB ASSY	DWX2882
	2..SDCB ASSY	DWX2980
	2..CDCB ASSY	DWX2987
NSP	1..SUBA ASSY	DWM2364
	2..INSW ASSY	DWS1407
	2..SPCN ASSY	DWX2979
	2..INDB ASSY	DWX2986
	2..USBA ASSY	DWX3043
NSP	1..JFLA ASSY (CUXJ)	DWM2369
NSP	1..JFLA ASSY (SYXJ8, FLXJ, KXJ5, AXJ5)	DWM2347
	2..ACIN ASSY (CUXJ)	DWR1475
	2..ACIN ASSY (SYXJ8, FLXJ, KXJ5, AXJ5)	DWR1453
	2..SLMB ASSY	DWS1408
	2..JFLB ASSY	DWX2984
	2..JOGB ASSY	DWX2985
	2..JACB ASSY	DWX2988

E	1..SRVA ASSY	DWX2948
$\Delta$	1..POWER SUPPLY ASSY	DWR1463

Mark No.	Description	Part No.
----------	-------------	----------

## A SRVA ASSY

Mark No.	Description	Part No.
	IC 7001	BD7956FS
	IC 7002	AN22022A
$\Delta$	IC 7003	MM1478DFBE
	IC 7004	DYW1771

160

$\Delta$	IC 7005	BD00KA5WFP
	IC 7006	MN103S71F
$\Delta$	IC 7010	BA50BC0FP
	IC 7302,7305	SI-8005Q
	Q 7001,7002	2SA1036K (PQR)
	Q 7003,7004	RT1N144M
	Q 7005	UM5K1N
	D 7001,7002	1SR154-400
	D 7304,7307	CMS03

## MISCELLANEOUS

	L 7011-7028 INDUCTOR	CTF1379
	L 7031-7038 INDUCTOR	CTF1379
	L 7302,7303 INDUCTOR	CTH1253
	X 7001 CERAMIC RESONATOR	DSS1157
	CN 7001 24P FFC CONNECTOR	DKN1445
	CN 7003 CONNECTOR	AKM1291
	CN 7004 4P CONNECTOR	DKN1288
	CN 7005 40P CONNECTOR	VKN1818
	CN 7009 CONNECTOR	DKN1313
	CN 7301 CONNECTOR	AKM1298
	CN 7302 XH CONNECTOR (6P)	DKN1599
	0 EARTH SPRING(SERVO)	DBK1352
$\Delta$	P 7001 PROTECTOR (2.000 A)	DEK1126
$\Delta$	P 7003 PROTECTOR (0.750 A)	DEK1121
$\Delta$	P 7302 PROTECTOR (1.250 A)	DEK1123

## RESISTORS

	R 7001,7110	RS1/10SR4701F
	R 7003,7006,7009	DCN1143
	R 7007	RS1/4SA120J
	R 7008	RS1/4SA220J
	R 7014,7015	RS1/4SA2R0J
	R 7017,7109	RS1/10SR2702F
	R 7018,7024,7025,7099	RS1/10SR1502F
	R 7020,7117,7118	RS1/10SR1202F
	R 7021	RS1/10SR3302F
	R 7042,7043	RAB4CQ101J
	R 7052,7054,7112	RS1/10SR1002F
	R 7057	RAB4CQ103J
	R 7063-7066	RAB4CQ101J
	R 7088,7096,7302,7329	RS1/4SA0R0J
	R 7306,7331	RST1/2SP120J

Mark No.	Description	Part No.
R 7310		RS1/10SR2402D
R 7311		RS1/10SR2401D
R 7312,7334		RS1/10SR4701D
R 7332		RS1/10SR3902D
R 7333		RS1/10SR3301D
Other Resistors		RS1/10SR###J

**CAPACITORS**

C 7001,7002,7081	CKSRYB472K50
C 7008,7014,7016,7021	CKSRYB104K16
C 7010,7024,7070,7098	CKSRYB103K50
C 7011,7012,7034,7061	CCSRCH101J50
C 7013	CKSRYB224K10
C 7015,7121	CEHWW470M16
C 7017	CCSRCH470J50
C 7018,7019	CKSRYB474K10
C 7020,7022,7055	CEHAS470M16
C 7023,7025-7030,7040	CKSRYB104K16
C 7031,7126	CCH1378
C 7036,7037,7076,7078	CKSRYB182K50
C 7038,7053,7079,7087	CKSRYB102K50
C 7039,7056	CCSRCH151J50
C 7041	CKSRYB561K50
C 7042,7090	CKSRYB273K25
C 7043,7104,7312	CKSRYB473K50
C 7044,7059,7110	CEHAS101M10
C 7045-7048,7051,7052	CKSRYB104K16
C 7049,7069,7075,7085	CKSRYB105K10
C 7050	CCH1426
C 7054,7057,7058,7060	CKSRYB104K16
C 7062,7089,7108	CCSRCH101J50
C 7063-7068,7071,7072	CKSRYB104K16
C 7073,7074	CKSRYB471K50
C 7077	CKSRYB222K50
C 7080,7082,7084,7086	CKSRYB104K16
C 7083	CKSRYB122K50
C 7088,7092,7097	CKSRYB102K50
C 7091,7094,7095	CKSRYB104K16
C 7096	CKSRYB105K10
C 7099-7102,7109,7114	CKSRYB104K16
C 7103	CKSRYB333K16
C 7111-7113,7115	CKSRYB102K50
C 7127,7128,7133	CKSRYB104K16
C 7132	ACH7174
C 7302,7304,7318,7334	CCG1221
C 7306,7336	CCSRCH102J50
C 7308,7337	CKSQYB102K50
C 7310,7338,7339	CKSRYB103K50
C 7316	CCSRCH222J50
C 7320,7328,7347	CKSRYB104K25
C 7324,7345	CCH1565
C 7335,7342	CCG1221
C 7341	CCSRCH152J50
C 7116-7120,7122-7125	CCSRCH101J50
C 7129-7131,7134-7137	CCSRCH101J50
C 7139-7141	CCSRCH221J50

Mark No.	Description	Part No.
<b>B</b>	<b>SPCN ASSY</b>	
	<b>MISCELLANEOUS</b>	
	CN6101 CONNECTOR	DKN1313
	CN6102 CONNECTOR	DKN1312
	CN6103 CONNECTOR	VKN1940

Mark No.	Description	Part No.
<b>C</b>	<b>INSW ASSY</b>	
	<b>MISCELLANEOUS</b>	
	S 6001 SPRING SWITCH	CSN1031
	CN6001 CONNECTOR	VKN1940

Mark No.	Description	Part No.
<b>D</b>	<b>SLMB ASSY</b>	
	<b>MISCELLANEOUS</b>	
	S 9001,9002 PUSH SWITCH	DSG1017
	CN9001 L-PLUG (5P)	KM200NA5L

Mark No.	Description	Part No.
<b>E</b>	<b>MAIN ASSY</b>	
	<b>SEMICONDUCTORS</b>	
	IC 101	R5S77641N300BG
	IC 102	BD45302G
	IC 108,109,505	K4S561632J-UC75
NSP	IC 114	DYW1779
	IC 115,124,507	TC7WHU04FU
	IC 119	TC74LCX32FTS1
	IC 120,1103	TC7SH04FUS1
	IC 122	TC7W08FU
	IC 123	TC74VHC08FTS1
	IC 501	D710E001BZDHA275
	IC 502,503,506	NJM4580MD
	IC 504	WM8740SEDS
	IC 1101	M66291GP
	IC 1102	BD2051AFJ
	IC 1304	RTL8201CP-LF
	IC 3002	SI-8005Q
	Q 501	2SD2114K
	Q 502	DTA124EUA
	Q 503,511,512,1101	DTC124EUA
	Q 504,505,507,508	2SK3320
	Q 506	2SC2412K
	Q 509,510	2SC4081
	Q 513-518	HN1C01FU
	Q 529,530	2SK3320
	Q 1301	UM6K1N
	D 501	1SS355
	D 3006	RB095B-30
	<b>MISCELLANEOUS</b>	
	L 101,102 INDUCTOR	CTF1394
	L 500,501 CHIP SOLID INDUCTOR	XTL3010
	L 3002 POWER INDUCTOR	DTH1205
	L 3003-3024 FERRITE BEAD	CTF1528
	L 3025 INDUCTOR	CTF1740
	L 3026-3032 FERRITE BEAD	CTF1528
	L 3034-3037 FERRITE BEAD	CTF1528
	F 101,108,1101,1103 EMI FILTER	CCG1160



Mark	No.	Description	Part No.
	F	1302,1303 EMI FILTER	DTL1106
	F	1305 EMI FILTER	CCG1160
A	JA	1101 USB CONNECTOR B	DKN1574
	JA	1301 RJ45 MODULAR JACK	DKN1576
	X	104 RESONATOR	CSS1753
	X	105 CRYSTAL (26.965 MHz)	DSS1185
	X	503 RESONATOR	CSS1620
	X	1302 CRYSTAL (25 MHz)	VSS1215
	CN	101 CONNECTOR	CKS5064
	CN	501 13P CONNECTOR	RKN1054
	CN	502 CONNECTOR	VKN2037
	CN	1303 CONNECTOR	VKN2050
B	CN	1304 10P CONNECTOR	VKN1414
	CN	1305 CONNECTOR	VKN2040
	CN	2001 29P CONNECTOR	VKN1433
	CN	3001 CONNECTOR	AKM1283
NSP	0	ID LABEL ASSY	AXW7015

Mark	No.	Description	Part No.
	C	526,527,548,549	CKSSYB222K50
	C	528-547,550,556	CKSSYB104K10
	C	551,552,555,1102	CKSSYB103K16
	C	553,554,571	CEHVAW470M16
	C	557,620,1120,1125	CEHVAW101M16
	C	558,559,561,562	CKSSYB153K16
	C	563,564	CKSSYB222K50
	C	565-568	CFHXSQ472J16
	C	576,580,584-589	CKSSYB104K10
	C	596,1124,1387	CEHVAW101M6R3
	C	608-613,619,1101	CKSSYB104K10
	C	614,615,3003	ACG1142
	C	616,1118	DCH1201
	C	617,618	CCSSCJ3R0C50
	C	1105,1108,1127,1385	CCG1171
	C	1106,1113,1116,1122	CKSSYB103K16
	C	1107,1112,1115,1119	CKSSYB104K10
	C	1126,1130,1319,1322	CKSSYB104K10
	C	1128,1129,1358	CKSRYB105K10
	C	1323,1325,1329,1364	CKSSYB104K10

**RESISTORS**

	R	108	RS1/16SS4701F
	R	521,522,524,525	RN1/16SE3300D
	R	527-530	RN1/16SE3300D
	R	560-563	RN1/16SE4700D
	R	564,565,568,569	RN1/16SE5600D
C	R	589,3016	RS1/16SS2201D
	R	610	RS1/10SR821J
	R	739-742,1392,3074	RAB4CQ221J
	R	1350-1353	RS1/16SS49R9F
	R	1376,1378	RS1/16SS1001F
	R	1531-1534,2094	RAB4CQ101J
	R	2001	RS1/10SR0R0J
	R	3006	RST1/2SP1R0J
	R	3009	RS1/10SR104J
	R	3012	RST1/2SP120J
D	R	3015,3017	RS1/16SS4701D
	R	3024	RS1/10SR223J
	R	3027	RS1/10SR683J
	R	3028,3029	RS1/4SA270J
		Other Resistors	RS1/16SS###J

**CAPACITORS**

	C	101-108,110-112	CKSSYB104K10
	C	109,137,148,204	CCG1171
	C	114,116,117,119	CKSSYB104K10
	C	118,120,122,124	CKSSYB102K50
	C	121,123,125	CKSSYB104K10
E	C	126,217,220,223	CKSSYB102K50
	C	128-136,138-147	CKSSYB104K10
	C	156,157,159,160	CKSSYB104K10
	C	162-165,167,169	CKSSYB104K10
	C	171-181,183-200	CKSSYB104K10
	C	202,203,214-216	CKSSYB104K10
	C	211,233,234,246	CCG1171
	C	218,219,221,222	CKSSYB104K10
	C	224,225,242-245	CKSSYB104K10
	C	226,1345,1356,1359	CKSSYB102K50
	C	228-231	CCSSCH7R0C50
F	C	232,235,595,1111	CEHVAW221M6R3
	C	247,577,578,597	CCG1171
	C	248,501-520,524	CKSSYB104K10
	C	521-523,525	CFHXSQ472J16

**F JACB ASSY SEMICONDUCTORS**

⚠	IC	9401	NJM2374AM
⚠	IC	9403	NJM2872BF05
	Q	9401-9404	2SD2114K
	D	9401,9402	RB160M-60
	D	9403,9404	1SS355
	D	9405,9406	NNCD6.2MF

**MISCELLANEOUS**

	L	9401 POWER INDUCTOR	DTL1187
	JA	9401 JACK	RKN1004
	JA	9402 2P PIN JACK	DKB1102
	JA	9403 1P PIN JACK	PKB1036
	KN	4001 WRAPPING TERMINAL	VNF1084
	CN	9401 13P CONNECTOR	VKN1273
⚠	P	9401,9402 PROTECTOR (0.750 A)	DEK1121

**RESISTORS**

	R	9402	RS1/4SAR82J
	R	9403	RN1/16SE9100D
	R	9404	RN1/16SE1802D
	R	9405	RN1/16SE2201D
	R	9412	RD1/2VM471J



Mark	No.	Description	Part No.	Mark	No.	Description	Part No.
A	R	4058,4059,4093,4105	RS1/10SR181J	C	4085,4095,4102		CKSRYB393K50
	R	4081-4084	RAB4CQ560J	C	4087-4090,4101,4112		CKSRYB104K50
	R	4089,4286	RS1/10SR112J	C	4096		CKSYB475K16
	R	4107,4109,4275-4277	RS1/10SR181J	C	4103		CKSSYB331K50
	R	4121	RAB4CQ102J	C	4104,4233-4235		CCSSCH101J50
B	R	4144	RS1/16SS3901D	C	4105,4109,4113,4114		CKSRYB103K50
	R	4148	RS1/16SS5102D	C	4106		DCG1046
	R	4161	RS1/16SS2202D	C	4108,4110		CCG1203
	R	4162	RS1/16SS2001F	C	4116,4118,4133,4140		CKSRYB105K16
	R	4164,4188	RS1/16SS1802D	C	4117,4127,4128,4153		CKSRYB104K50
C	R	4167	RS1/16SS5100D	C	4120,4121		CKSSYB472K50
	R	4171	RS1/16SS6801D	C	4125		CCG1223
	R	4172	RS1/16SS1002D	C	4126		CKSRYB103K50
	R	4174,4191	RS1/16SS1001D	C	4130		CCH1440
	R	4179	RS1/16SS6202D	C	4134		BCG1060
D	R	4184	RS1/16SS1600D	C	4135		CKSRYF224Z16
	R	4185	RS1/16SS2700D	C	4138,4139,4141,4143		CKSSYB104K16
	R	4189	RS1/16SS4300D	C	4142		CKSRYB105K10
	R	4192	RS1/16SS3303D	C	4144,4158		CCG1111
	R	4217	RS1/16SS5602D	C	4145,4146,4149,4151		CKSSYB104K16
E	R	4220	RS1/16SS3302D	C	4148,4252,4253		CKSRYB105K16
	R	4224	RS1/16SS6800D	C	4152,4154,4159,4160		CKSSYB104K16
	R	4225,4233	RS1/16SS27R0D	C	4155,4156		CSZSC100M16
	R	4226	RS1/16SS10R0D	C	4157		CKSQYB334K50
	R	4227	RS1/16SS1000D	C	4161		CKSRYB104K50
F	R	4228,4235	RS1/16SS82R0D	C	4162,4165,4168-4172		CKSSYB104K16
	R	4229	RS1/16SS56R0D	C	4166,4167		CCG1236
	R	4230	RS1/16SS47R0D	C	4173,4190,4200,4201		CCG1192
	R	4231	RS1/16SS36R0D	C	4174-4181,4183-4189		CKSSYB104K16
	R	4232	RS1/16SS33R0D	C	4191-4196,4199,4202		CKSSYB104K16
G	R	4234	RS1/16SS1800D	C	4203		CCG1192
	R	4236	RS1/16SS12R0D	C	4204,4206,4212		CKSSYB104K16
	R	4245-4248	RAB4CQ331J	C	4205		CEHVVW470M6R3
	R	4271,4272	RAB4CQ470J	C	4210		CEHVAW330M35
	R	4273	RAB4CQ220J	C	4211		CEVW101M25
H	R	4282,4283	RS1/10SR122J	C	4214,4216		CEHVAW101M6R3
	R	4288,4290	RS1/10SR181J	C	4218-4220,4222,4223		CKSSYB104K16
	Other Resistors		RS1/16SS###J	C	4244-4247,4254		CCSSCH101J50
				C	4249		CCSSCH221J50

**CAPACITORS**

C	4001,4003,4011,4016	CCSRCH100D50	
C	4002,4024,4044-4046	CKSSYB104K16	
C	4006-4008,4013,4054	CKSRYB104K50	
C	4012	CCH1586	
C	4014,4073,4076	CKSQYB225K16	
E	C	4028,4053,4132	CEHVAW101M16
	C	4029	CKSRYF104Z25
	C	4050-4052,4056,4123	CKSSYB104K16
	C	4055,4059,4062,4071	CKSRYB105K16
	C	4057,4058,4083	CKSRYB104K50
F	C	4060,4066,4097,4100	CKSRYB103K50
	C	4063	CKSSYB332K50
	C	4064	CKSSYB152K50
	C	4068	CCG1260
	C	4069,4070,4099	CKSRYB473K50
G	C	4072,4213,4217	CKSSYB104K10
	C	4077,4136,4147,4150	CSZSC100M16
	C	4079,4080,4129,4131	CKSQYB105K25
	C	4081,4086,4091-4093	CKSRYB105K16
	C	4084,4115	CKSSYB102K50

**J PNLB ASSY**  
**SEMICONDUCTORS**

IC	8001	GP1S94
IC	8002	NJM2392M
IC	8003	M3030RFCPPF
IC	8004	BD45302G
IC	8005,8006	TC7SH32FUS1
Q	8001	2SC4154
Q	8002-8014,8016-8022	DTC124EUA
Q	8023	LTA124EUB
D	8001,8004,8007,8010	SLI-343Y8C(KLMN)
D	8002,8005,8008,8018	SLI-343M8C(FGHJ)
D	8003,8006,8009,8011	SLI-343U8RC(HJKL)
D	8012,8013,8015	SLI-343Y8C(KLMN)
D	8016	SLI-343U8RC(HJKL)
D	8017	SLR343BC4T(JKLM)
D	8019	SLI-343M8C(FGHJ)

Mark	No.	Description	Part No.
	D	8020	EP05Q06
	D	8021-8024	SLI-343Y8C(KLMN)
	D	8025	UDZS3R9(B)

**MISCELLANEOUS**

L	8001	RADIAL LEAD INDUCTOR	DTH1206
L	8002	INDUCTOR	CTF1579
L	8003	INDUCTOR	CTF1379
VR	8001,8002	VARIABLE RESISTOR	DCS1045
S	8001-8004,8008	SWITCH	VSG1024

S	8005-8007,8009-8012	TACT SWITCH	DSG1079
S	8013-8020	SWITCH	VSG1024
X	8001	CRYSTAL RESONATOR	DSS1166
CN	8001	18P CONNECTOR	VKN1278
CN	8002	16P CONNECTOR	VKN1276

CN	8003	7P CONNECTOR	VKN1267
JH	8001	5P CABLE HOLDER	51048-0500
JH	8002	3P CABLE HOLDER	51048-0300
JH	8003	8P CABLE HOLDER	51048-0800
JP	8001	JUMPER WIRE	D20PDY0510E
JP	8002	JUMPER WIRE	D20PDY0305E
JP	8003	8P JUMPER WIRE	D20PDD0810E

**RESISTORS**

R	8094	RS1/10SR3301D
R	8095	RS1/10SR3302D
R	8096	RS1/10SR2202D
	Other Resistors	RS1/10SR###J

**CAPACITORS**

C	8002,8004,8022,8031	CEHAS470M16
C	8003,8005,8013,8019	CKSRYB104K16
C	8006-8010,8017,8018	CCSRCH102J50
C	8011,8012	CKSRYB474K10
C	8014	CEHAS101M10
C	8024,8025	CCSRCH100D50
C	8027,8029,8033,8036	CKSRYB104K16
C	8035,8044	CEHAS470M16
C	8038,8045-8048,8057	CKSRYB103K50
C	8039-8043	CKSRYB104K16
C	8050	CCSRCH560J50
C	8051	CEHAZL101M25
C	8052	CKSYB106K16
C	8053	CCSRCH221J50
C	8054	CEHAZL221M10
C	8055,8056	BCG1054
C	8058	CKSRYB103K50
C	8060	CCSRCH121J50

## **K** JFLB ASSY

### **SEMICONDUCTORS**

⚠	IC	9202	TLC555IP
⚠	IC	9203	NJM2374AD
⚠	IC	9204	BA033FP
	Q	9201,9202	2SC1815
	Q	9203,9204,9207,9209	DTC124EUA
	Q	9205	2SB1237X
	Q	9206	RHP020N06
	Q	9208	2SD1767
	D	9201,9202,9206,9207	SLI-343U3R(HJKL)
	D	9203	UDZS6R8(B)

Mark	No.	Description	Part No.
	D	9204,9205,9208,9209	SLR343WBD2PT(Z1)
	D	9210-9212,9214	RB160M-60
	D	9213	1SS355
	D	9215	UDZS6R2(B)

**MISCELLANEOUS**

L	9201	POWER INDUCTOR	DTL1187
V	9201	FL INDICATOR TUBE	DEL1058
T	9201	POWER TRANSFORMER	DTT1232
CN	9203	CONNECTOR	CKS1072
	0	FL HOLDER	DNF1735

JH	9201	12P CABLE HOLDER	51048-1200
JH	9202	4P CABLE HOLDER	51048-0400
JP	9202	JUMPER WIRE	D20PYY0405E
JP	9203	JUMPER WIRE	D20PDY1210E
P	9201	PROTECTOR (1.000 A)	DEK1122

**RESISTORS**

R	9220	RS1/4SA0R0J
R	9221	RS1/4SAR51J
R	9222,9223	RS1/4SA271J
R	9224	RST1/2SP1R0J
R	9225	RS1/8SQ102J
R	9226	RS1/8SQ101J
R	9228	RS1/4SA103J
R	9229	RN1/16SE1201D
R	9230	RN1/16SE1602D
R	9231	RN1/16SE6802D

R	9232	RN1/16SE4302D
R	9233,9234	RN1/16SE2201D
R	9235	RS1/8SQ223J
R	9241,9242	RS1/4SA151J
R	9245,9246	RS1/8SQ181J
R	9247	RS1/4SA331J
	Other Resistors	RS1/10SR###J

**CAPACITORS**

C	9201,9205,9208	CEHAR101M10
C	9202	CKSRYB223K16
C	9203	CEHAR470M16
C	9204,9226,9227	CKSRYB104K16
C	9206	CEHAZL100M50
C	9207,9212,9215,9218	CKSRYB104K50
C	9209,9221	CEHAZL220M50
C	9213,9222-9225	CCSRCH101J50
C	9216	CEHAZL221M25-P35
C	9217	CCSRCH331J50
C	9219	CKSRYB104K50

## **L** CDCB ASSY

### **SEMICONDUCTORS**

IC	5001	AD7147ACPZ500RL7
----	------	------------------

**MISCELLANEOUS**

CN	5001	7P CONNECTOR	VKN1411
----	------	--------------	---------

**CAPACITORS**

C	5001	CKSQYB103K50
C	5002	CKSRYB104K16
C	5003	CCG1192
C	5004-5008	CCSRCH101J50

**Mark No. Description Part No.**

**M SDSW ASSY**

**SEMICONDUCTORS**

Q 8601 DTC124EUA  
D 8601 SLI-343U8RC(HJKL)

**MISCELLANEOUS**

S 8601 SWITCH VSG1024  
S 8602 PUSH SWITCH DSG1017

**RESISTORS**

All Resistors RS1/10SR###J

**N SLDB ASSY**

**SEMICONDUCTORS**

Q 8701 DTC124EUA  
D 8701 SLI-343M8C(FGHJ)

**MISCELLANEOUS**

VR 8701 VARIABLE RESISTOR DCV1013  
VR 8702 CERMET TRIMMER (1 K) DCP1105  
S 8701 SWITCH VSG1024

**RESISTORS**

All Resistors RS1/10SR###J

**MISCELLANEOUS**

JH 8701 8P CABLE HOLDER 51048-0800

**CAPACITORS**

C 8702 CEJQ470M16  
C 8703 CKSRYB104K16

**O EUPB ASSY**

**SEMICONDUCTORS**

D 8651 SLI-343U8RC(HJKL)

**MISCELLANEOUS**

S 8651 SLIDE SWITCH DSH1066  
CN 8651 3P JUMPER CONNECTOR 52147-0310

**RESISTORS**

All Resistors RS1/10SR###J

**P CNCT ASSY**

**MISCELLANEOUS**

CN 8801 12PJUMPER CONNECTOR 52147-1210  
CN 8802 6P JUMPER CONNECTOR 52147-0610

**CAPACITORS**

C 8801,8802 CCSRCH221J50

**Q KSWB ASSY**

**SEMICONDUCTORS**

Q 8501,8502 DTC124EUA  
D 8501 SLR343EC4T(LMN)  
D 8502 SLI-343Y8C(KLMN)

**MISCELLANEOUS**

S 8501,8502 TACT SWITCH DSG1117

**RESISTORS**

166

**Mark No. Description Part No.**

All Resistors RS1/10SR###J

**MISCELLANEOUS**

JH 8501 6P CABLE HOLDER 51048-0600  
JP 8501 JUMPER WIRE D20PDY0615E

**R JOGB ASSY**

**MISCELLANEOUS**

CN 9301 4PJUMPER CONNECTOR 52151-0410

**RESISTORS**

All Resistors RS1/10SR###J

**MISCELLANEOUS**

PC 9301 PHOTO INTERRUPTER SEDS-7573

**CAPACITORS**

C 9301,9302 CKSRYB103K50

**S INDB ASSY**

**SEMICONDUCTORS**

D 6201 SMLC14WBEPW(Z1)

**MISCELLANEOUS**

CN 6201 CONNECTOR AKM1288

**RESISTORS**

All Resistors RS1/10SR###J

**T POWER SUPPLY ASSY**

There is no service parts.

**U ACIN ASSY (DWR1475)**

**MISCELLANEOUS**

⚠ JA 9101 AC INLET 1P XKP3085  
⚠ S 9101 SWITCH DSA1035  
⚠ JP 9101 CONNECTOR ASSY 2P DKP3835

**CAPACITORS**

⚠ C 9101 ACG7033

**U ACIN ASSY (DWR1453)**

**MISCELLANEOUS**

⚠ JA 9101 AC INLET 1P XKP3084  
⚠ S 9101 SWITCH DSA1035  
⚠ JP 9101 CONNECTOR ASSY 2P DKP3835

**CAPACITORS**

⚠ C 9101 ACG7033