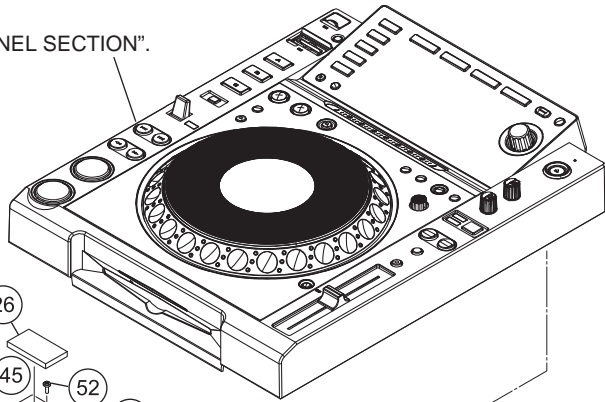


9.2 EXTERIOR SECTION

1 2 3 4

A

Refer to
"9.3 CONTROL PANEL SECTION".



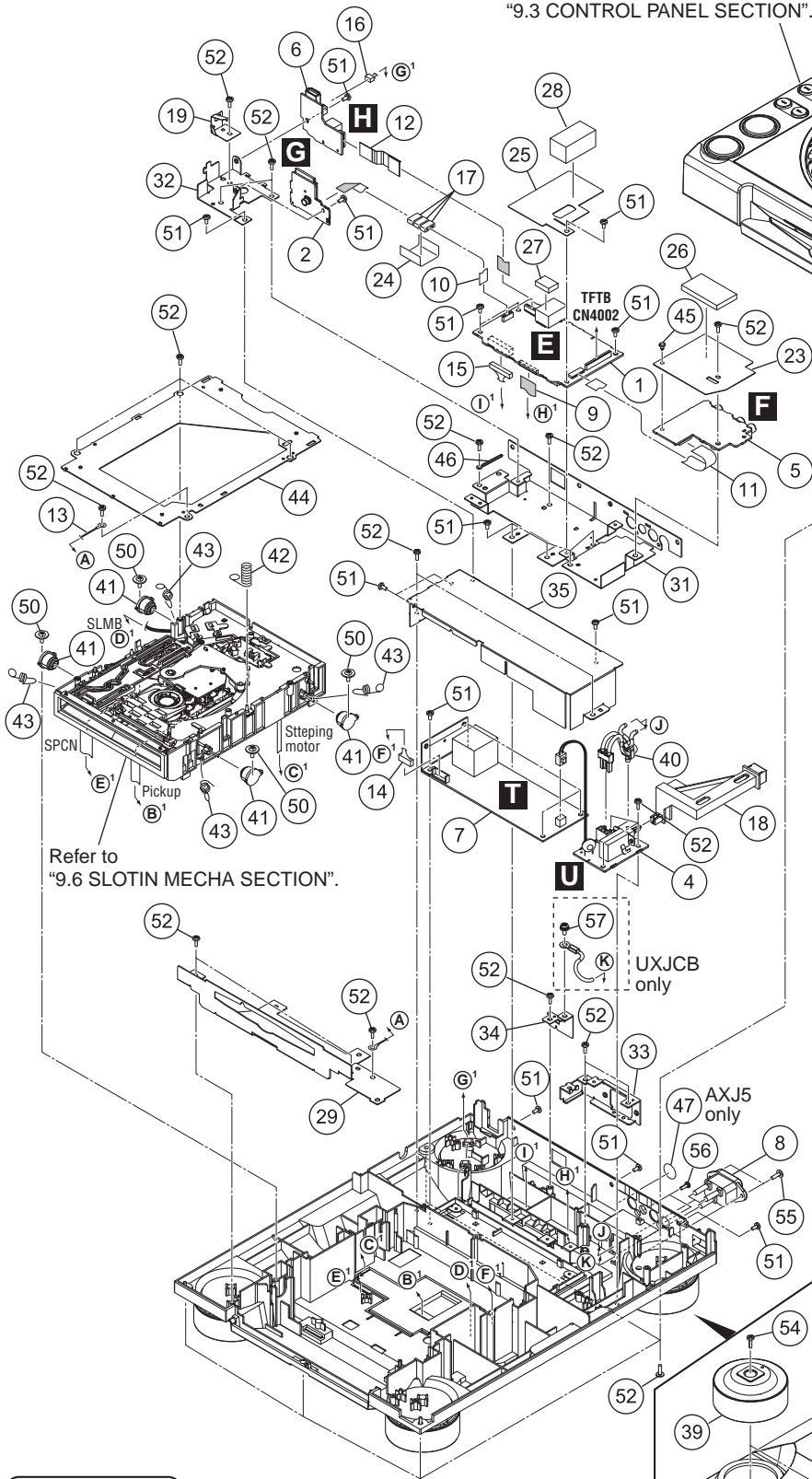
B

C

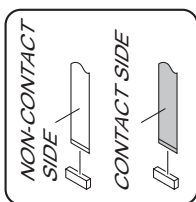
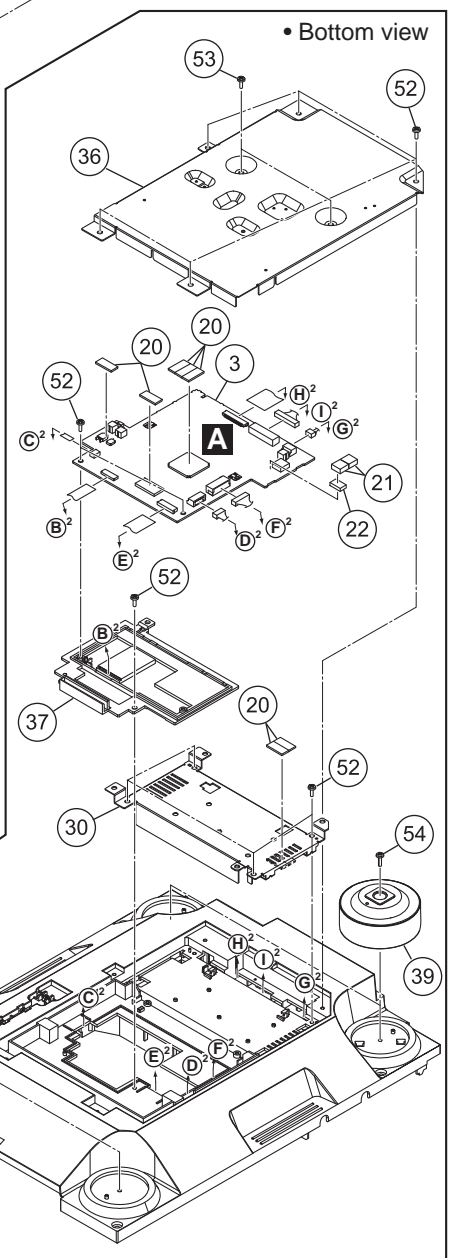
D

E

F



• Bottom view



1 2 3 4

(1) EXTERIOR SECTION PARTS LIST

Mark No.	Description	Part No.	Mark No.	Description	Part No.
1	MAIN Assy	DWX3312	31	Stay/PCB	DNH3011
2	SDCB Assy	DWX3333	32	Stay/USB	DNH3015
3	SRVB Assy	DWX3334	33	Bracket/ACI	DNH3020
4	ACIN Assy	DWX3346	34	Stay/KST	DNH3021
5	JACB Assy	DWX3350	35	Shield Case	DNH3022
6	USBB Assy	DWX3395	36	Plate	See Contrast table (2)
⚠	7 POWER SUPPLY Assy	DWR1463	37	Servo Cover	DNK5492
⚠	8 AC Inlet	See Contrast table (2)	⚠	38 Chassis	See Contrast table (2)
9	40P FFC	DDD1479	39	Insulator Assy	DXB2057
10	10P FFC	DDD1480	40	Holder	VEC1355
11	13P FFC	DDD1484	41	Damper	CNV7618
12	FFC/13P	DDD1606	42	Earth Spring	DBH1398
13	Cord With Plug	DE007VE0	43	Float Spring (G5)	DBH1494
14	Connector Assy	DKP3844	44	Mecha Plate	DNH2339
15	Connector Assy 12P	DKP3845	45	Rivet (Plastic)	RBM-003
16	Crimp Connector/3P	DKP3939	46	Cord Clamper (Steel)	RNH-184
17	Ferrite Core	BTX1037	NSP	47 CCC S Label	See Contrast table (2)
18	Power Knob	DAC2484	48	•••••	
19	SD Earth Spring	DBK1357	49	•••••	
NSP	20 Silicon Rubber D5 L	DEB1456	50	DM Screw (FTC)	DBA1260
21	Heat Cond Sheet	DEB2000	51	Screw	BBZ30P060FTB
22	Heat Cond Sheet	DEB2001	52	Screw	BPZ30P080FNI
23	Jack Cover	DEC3205	53	Screw	BPZ30P100FTB
24	Cushion (FC)	DEC3249	54	Screw	BPZ30P100FTC
25	Main Cover	DEC3258	55	Screw	IBZ30P100FTB
26	Cushion/FFC	DEC3430	56	Screw	PPZ30P080FTB
27	Cushion/LAN	DEC3431	57	Screw	See Contrast table (2)
28	Cushion/PCB	DEC3455			
29	Front Plate	DNH2857			
30	SWPS Stay	DNH2890			

(2) CONTRAST TABLE

CDJ-2000NXS/UXJCB, SYXJ8, FLXJ, AXJ5 and KXJ5 are constructed the same except for the following:

Mark	No.	Symbol and Description	CDJ-2000NXS /UXJCB	CDJ-2000NXS /SYXJ8	CDJ-2000NXS /FLXJ	CDJ-2000NXS /AXJ5	CDJ-2000NXS /KXJ5
⚠	8	AC Inlet/3P	DKP3934	Not used	Not used	Not used	Not used
⚠	8	AC Inlet/2P	Not used	DKP3935	DKP3935	DKP3935	DKP3935
	36	Plate	DNH3026	DNH3019	DNH3026	DNH3019	DNH3019
⚠	38	Chassis	DNK6077	DNK6039	DNK6078	DNK6080	DNK6081
NSP	47	CCC S Label	Not used	Not used	Not used	DRW2310	Not used
	57	Screw	PMH40P080FTC	Not used	Not used	Not used	Not used

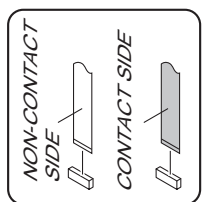
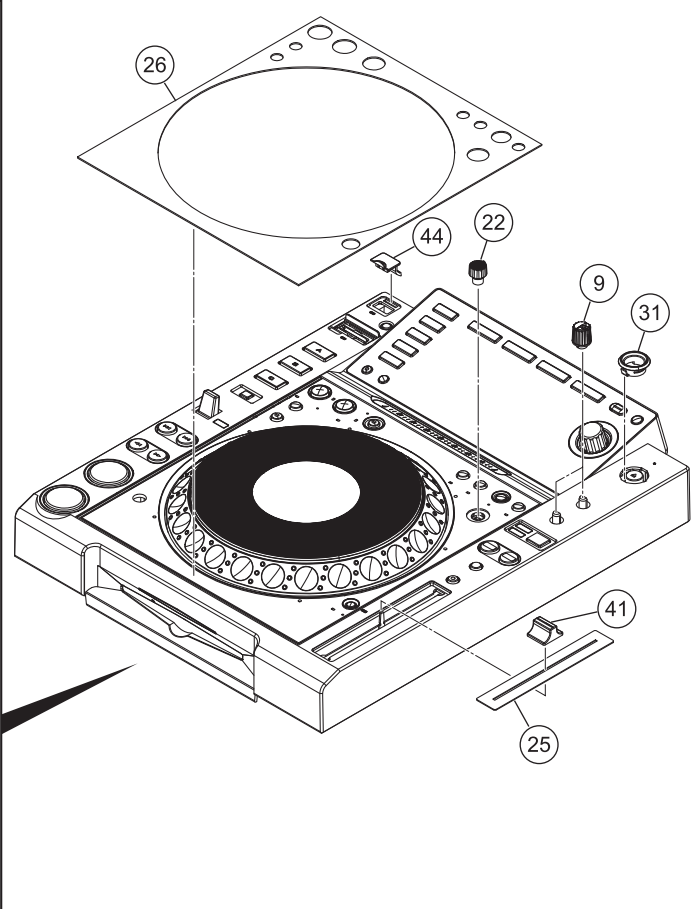
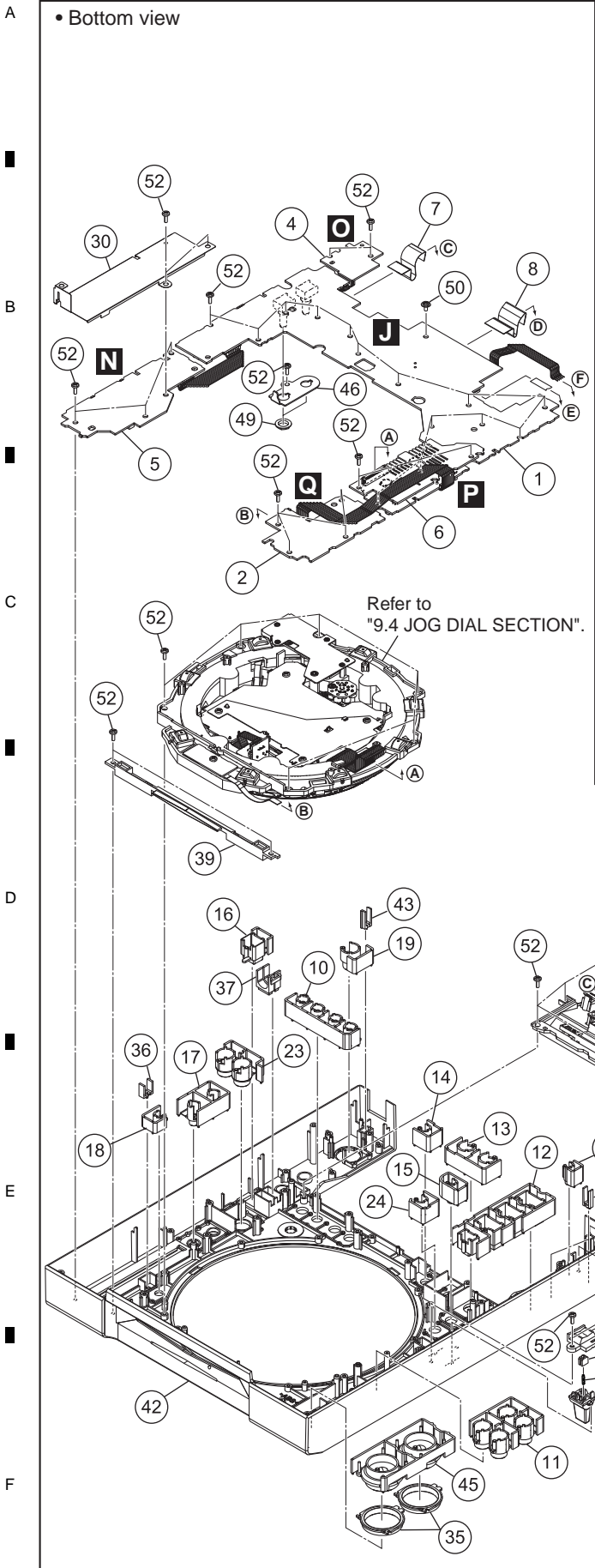
9.3 CONTROL PANEL SECTION

1

2

3

4



1

2

3

4

CONTROL PANEL SECTION PARTS LIST

<u>Mark No.</u>	<u>Description</u>	<u>Part No.</u>	<u>Mark No.</u>	<u>Description</u>	<u>Part No.</u>
	1 PNLB Assy	DWX3338	46	Stay/VR	DNF1894
	2 KSWB Assy	DWX3339	47	•••••	
	3 SDSW Assy	DWX3340	48	•••••	
	4 EUPB Assy	DWX3341	49	Flange Nut M9	DBN1008
	5 SLDB Assy	DWX3342	50	Screw	ABZ30P060FTC
NSP	6 CNCT Assy	DWX3343	51	Screw	BBZ30P060FTB
	7 16P FFC	DDD1483	52	Screw	BPZ30P080FNI
	8 FFC/22P	DDD1609			
	9 Knob	DAA1303			
	10 Button (CALL)	DAC2466			
	11 Button (SERCH)	DAC2468			
	12 Button (HOT CUE)	DAC2469			
	13 Button (LOOP)	DAC2470			
	14 Button (RELOOP)	DAC2471			
	15 Button (4-BEAT LOOP)	DAC2472			
	16 Button (JOG MODE)	DAC2473			
	17 Button (TEMPO)	DAC2474			
	18 Button (TEMPO REST)	DAC2475			
	19 Button (EJECT)	DAC2476			
	20 Button (USB STOP)	DAC2477			
	21 Lever	DAC2478			
	22 Adjust Knob Black	DAC2528			
	23 Button/BSY	DAC2810			
	24 Button/SLP	DAC2865			
	25 Slide Sheet 1C	DAH2404			
	26 Panel/TOP	DAH2871			
	27 Lever Spring	DBH1702			
	28 Spring	DBH1717			
	29 Leaf Spring/SD	DBK1375			
	30 Earth Plate	DNH2849			
	31 Eject Guard	DNK3958			
	32 SD Card Door	DNK5308			
	33 SD Door Holder	DNK5309			
	34 Lever Plate	DNK5312			
	35 Ring Rens (PLAY)	DNK5315			
	36 Tempo Lens	DNK5316			
	37 Mode Lens	DNK5317			
	38 Device Lens	DNK5318			
	39 Front Lens	DNK5328			
	40 Lever Cap	DNK5344			
	41 Knob/SLD	DNK5981			
⚠	42 Control Panel	DNK6030			
	43 Lens/EUP	DNK6040			
	44 Cover/USB	DNK6041			
	45 Button Assy/PLY	DXB2126			

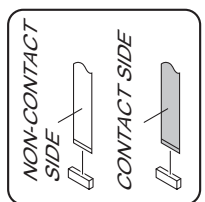
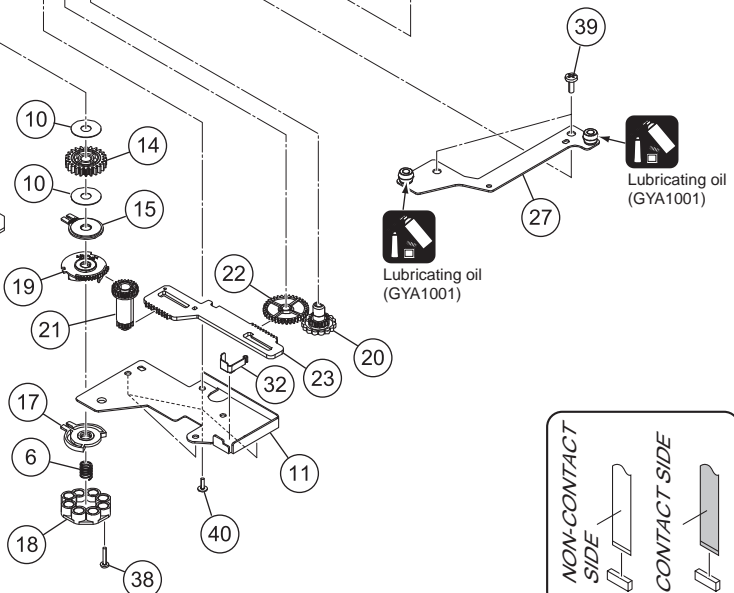
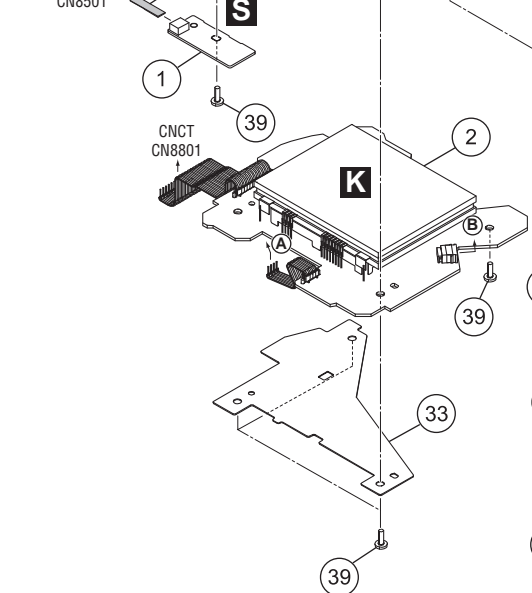
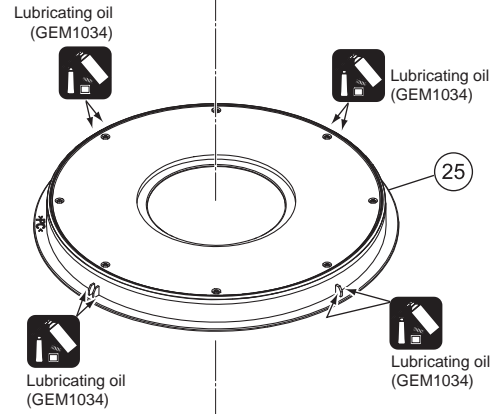
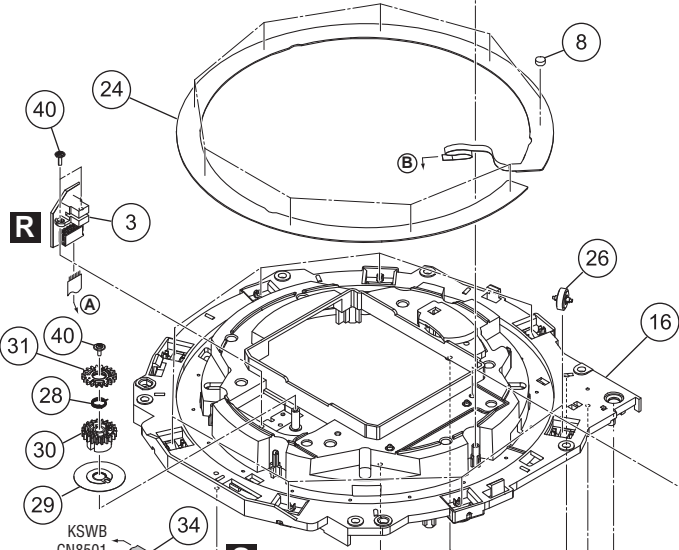
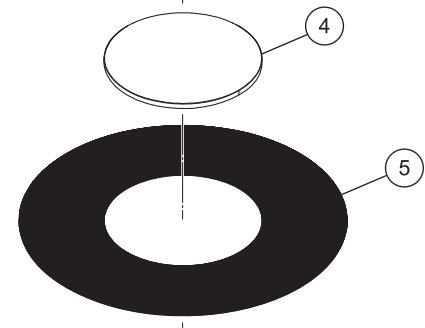
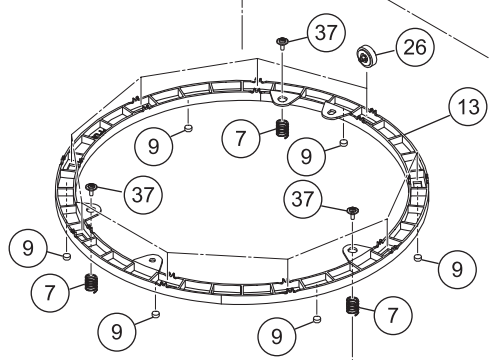
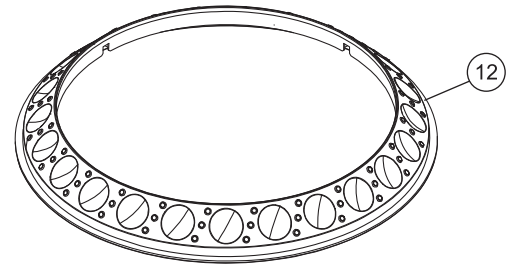
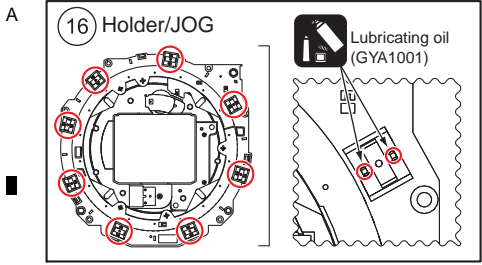
9.4 JOG DIAL SECTION

1

2

3

4



1

2

3

4

JOG DIAL SECTION PARTS LIST

<u>Mark No.</u>	<u>Description</u>	<u>Part No.</u>	
1	INDB Assy	DWX3337	
2	JFLB Assy	DWX3348	A
3	JOGB Assy	DWX3349	
4	JOG Panel	DAH2609	
5	Plate/JOG	DAH2907	
6	Coil Spring/LD	DBH1798	
7	SW Spring	DBH1681	
8	SW Cushion HH48/2	DEC2538	
9	Cushion/RNG	DEC3466	
10	Washer	DEC3137	
11	Link Plate	DNH2848	B
12	JOG Dial/B	DNK6064	
13	SW Ring	DNK5233	
14	Gear/LD	DNK6145	
15	Smoother	DNK5237	
16	Holder/JOG	DNK6138	
17	Comp Plate	DNK5243	
18	Adjust Plate	DNK5300	
19	Cam Plate	DNK5301	
20	Dial Gear	DNK5302	C
21	Link Gear A	DNK5303	
22	Link Gear B	DNK5304	
23	Rack Plate	DNK5305	
24	Sheet SW	DSX1078	
25	JOG Dial A Assy	DXA2159	
26	Roller Assy/A	DXB2118	
27	Stay Assy/JOG	DXB2133	
28	Encoder Spring	DBH1710	
29	Encoder Plate	DEC2889	D
30	Gear/A	DNK6143	
31	Gear/B	DNK6144	
32	Leaf Spring/ADJ	DBK1376	
33	Barrier/JFL	DEC3419	
34	FFC/4P	DDD1608	
35	•••••		
36	•••••		
37	Screw (FE)	DBA1265	
38	Screw	BPZ20P100FTC	E
39	Screw	BPZ30P080FNI	
40	Screw	IPZ20P060FTC	

1

2

3

4

9.5 DISPLAY SECTION

A

• Bottom view

B

C

D

E

F

80

CDJ-2000XS

1

2

3

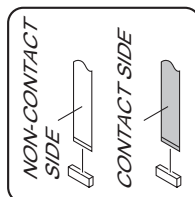
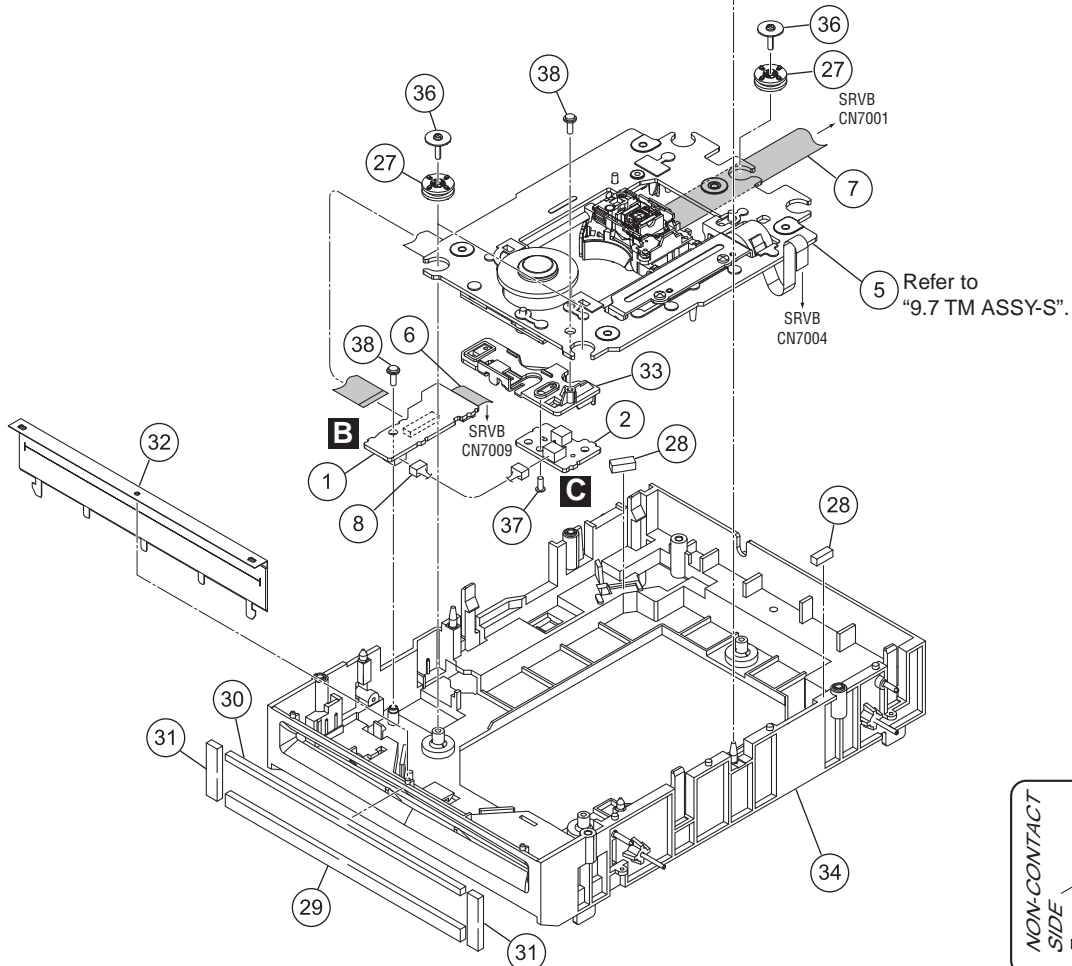
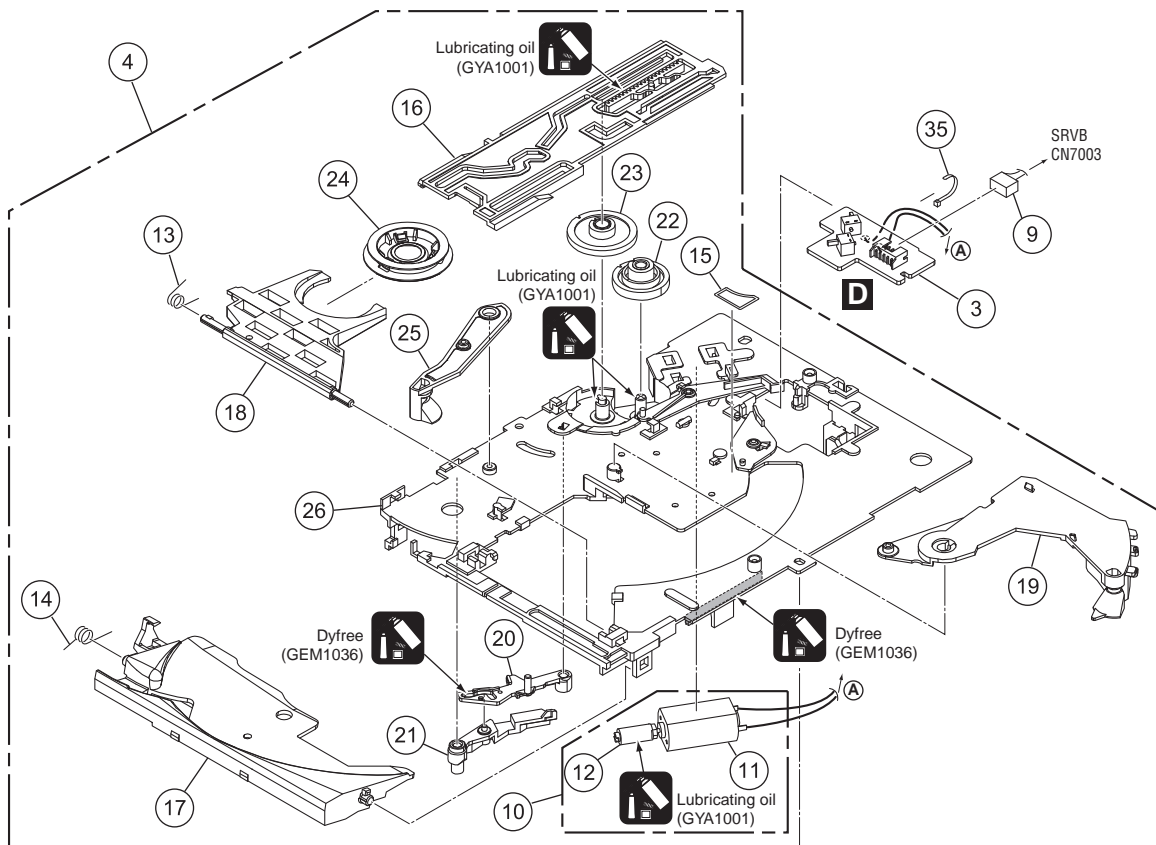
4

DISPLAY SECTION PARTS LIST

<u>Mark No.</u>	<u>Description</u>	<u>Part No.</u>	
1	TFTB Assy	DWX3331	
2	CDCB Assy	DWX3332	A
3	LCD Module	CWX3970	
4	29P FFC	DDD1481	
5	7P FFC	DDD1485	
6	40P FFC	DDD1541	
7	FFC/4P	DDD1607	
8	Dial Knob	DAA1246	
9	Button (MENU)	DAC2480	
10	Button/MOD	DAC2807	
11	Button/DEV	DAC2808	B
12	Button/QUA	DAC2809	
13	Panel/DIS	DAH2874	
14	LCD Packing (Bottom)	DEC3184	
15	Sheet/CDC	DEC3395	
16	LCD Packing (Side)	DEC3192	
17	Packing/TOP	DEC3376	
18	Stay/LCD	DND1269	
19	Bracket/LCD	DND1270	
⚠ 20	Control Panel/LCD	DNK6037	C
21	CDC Stay	DNK5320	
22	Ring Lens (BROWSE)	DNK5322	
23	LCD Bottom Plate	DNK5323	
24	Reflector	DNK5405	
25	Cushion/FFC	DEC3430	
26	Barrier/RB	DEC3421	
27	Lens/CDC	DNK6017	
28	Rivet (Plastic)	RBM-003	
29	•••••		D
30	•••••		
31	Screw	BBZ26P060FTB	
32	Screw	BPZ26P080FTC	

9.6 SLOT IN MECHA SECTION

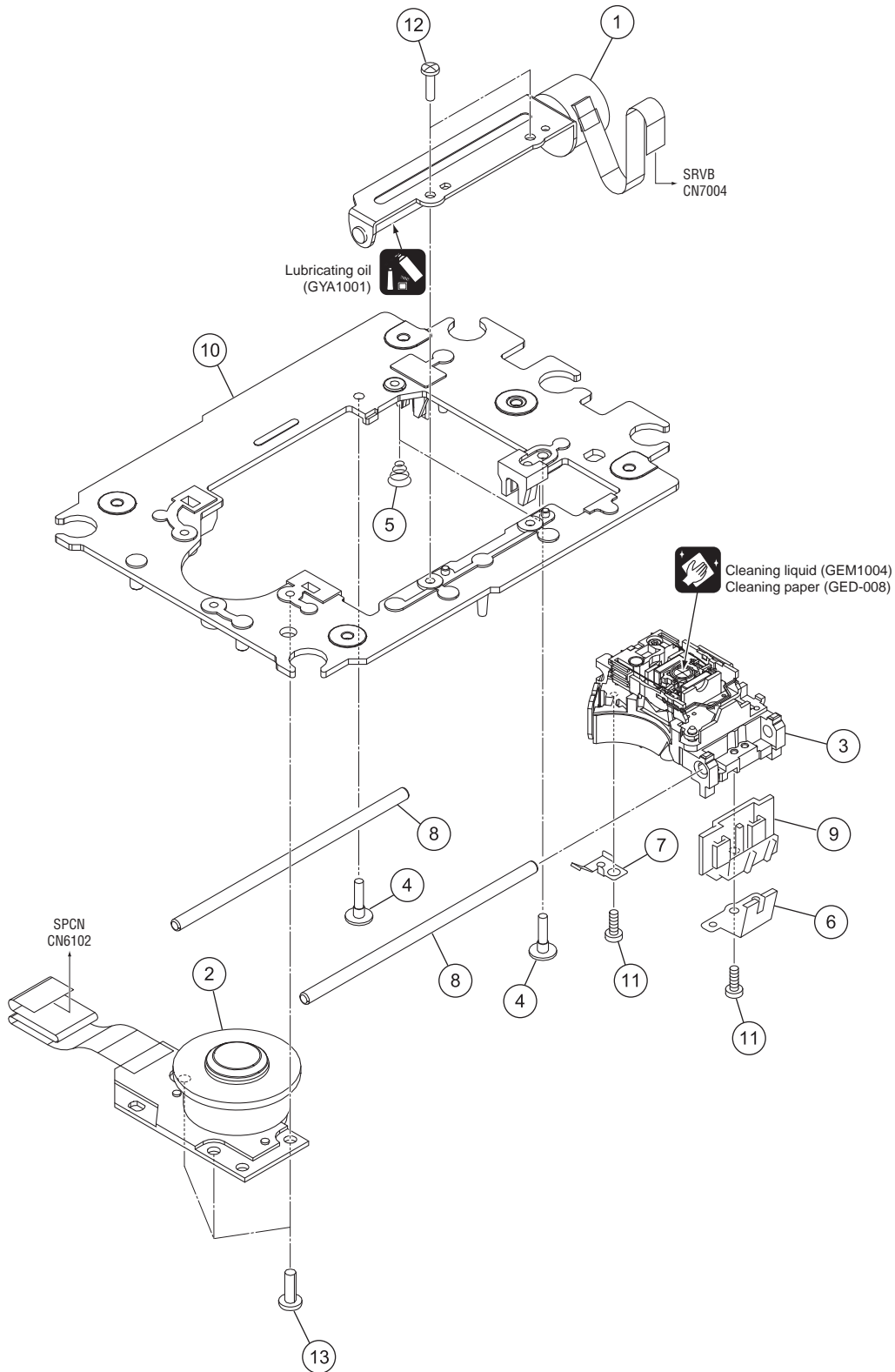
A
B
C
D
E
F



SLOT IN MECHA SECTION PARTS LIST

<u>Mark No.</u>	<u>Description</u>	<u>Part No.</u>	
	1 SPCN Assy	DWX3336	
	2 INSW Assy	DWX3335	A
	3 SLMB Assy	DWX3345	
NSP	4 SLOTIN MECHA G11 Assy	DXA2163	
	5 TM Assy 09SD -S	DXX2697	
	6 13P FFC	DDD1452	
	7 24P FFC	DDD1460	
	8 Connector Assy 2P	DKP3769	
	9 Connector Assy	PF05PP-C25	
	10 DC Motor Assy-S	DXX2510	
NSP	11 DC Motor S	DXM1230	B
NSP	12 Worm Gear	DNK3910	
	13 Clamp Spring	DBH1374	
	14 Guide Spring	DBH1375	
	15 SW. Lever Spacer (PET)	DEC2420	
	16 Main Cam	DNK3407	
	17 Disc Guide	DNK3478	
	18 Clamp Arm	DNK3576	
	19 Eject Lever	DNK3684	
	20 Lever AP	DNK3835	C
	21 Lever BP	DNK3836	
	22 Loading Gear	DNK3911	
	23 Drive Gear	DNK3912	
	24 Clamper Assy	DXA2043	
	25 Loading Lever Assy	DXB1880	
	26 Loading Base Assy-S	DEA1022	
	27 Float Rubber D3	DEB1404	
	28 Spacer POR (T3)	DEB1566	
	29 Vessel Cushion A	DEC2852	D
	30 Vessel Cushion B	DEC2853	
	31 Vessel Cushion C	DEC2854	
	32 Front Sheet	DED1132	
	33 Inside SW Base	DNK4236	
	34 Float Base G11 Assy	DXB1793	
	35 Binder	ZCA-SKB90BK	
	36 Float Fastener	DBA1286	
	37 Screw	VBA1062	
	38 Screw	IPZ20P060FTC	E

9.7 TM ASSY-S



TM ASSY-S SECTION PARTS LIST

<u>Mark No.</u>	<u>Description</u>	<u>Part No.</u>
NSP 1	Stepping Motor SK	DXM1227
NSP 2	Spindle Motor G11(N)	DXM1231
NSP 3	09SD Pickup Assy	OWY8177
NSP 4	Adjust Screw	DBA1263
NSP 5	Skew Spring	DBH1437
NSP 6	Joint Spring (J)	DBK1261
NSP 7	Slider Spring G11 (J)	DBK1262
NSP 8	Guide Shaft (S)	DLA1918
NSP 9	Joint	DNK3858
NSP 10	Mounting Plate G11(J)	DNK4307
11	Tapping Screw 04	VBA1092
12	Screw	BPZ20P080FTC
13	Screw	BPZ26P080FTC

A

B

C

D

E

F