

1 2 3 4

9. EXPLODED VIEWS AND PARTS LIST

NOTES: ● Parts marked by "NSP" are generally unavailable because they are not in our Master Spare Parts List.

- The \triangle mark found on some component parts indicates the importance of the safety factor of the part. Therefore, when replacing, be sure to use parts of identical designation.
- Screws adjacent to ∇ mark on product are used for disassembly.
- For the applying amount of lubricants or glue, follow the instructions in this manual. (In the case of no amount instructions, apply as you think it appropriate.)

9.1 PACKING SECTION

SYXJ8 only (13)

KXJ5 only (21)

AXJ5 only (22)

FLXJ only (2, 16, 23)

7 or 8 or 9 or 10 or 11 or 12

1, 2, 3, 4, 5, 6, 7, 8, 9, 10, 11, 12, 13, 14, 15, 16, 17, 18, 19, 20, 21, 22, 23, 24

48

CDJ-350

1 2 3 4

(1) PACKING SECTION PARTS LIST

<u>Mark No.</u>	<u>Description</u>	<u>Part No.</u>	<u>Mark No.</u>	<u>Description</u>	<u>Part No.</u>
⚠	1 Power Cable	See Contrast table (2)	15	Vinyl Bag	Z21-013
⚠	2 Power Cord (Taiwan)	See Contrast table (2)	16	Vinyl Bag	See Contrast table (2)
	3 Audio Cable	XDE3045	17	Packing Sheet	AHG7015
	4 Control Cord	XDE3063	18	Pad F	See Contrast table (2)
	5 CD-ROM (rekordbox license key attached)	DXX2653	19	Pad R	See Contrast table (2)
	6 Disc Force Eject Pin (mounted on bottom of product)	DEX1008	20	Packing Case	See Contrast table (2)
	7 Operating Instructions	See Contrast table (2)	21	Recycle Label (M)	See Contrast table (2)
	8 Operating Instructions	See Contrast table (2)	NSP 22	CCC S & E Label	See Contrast table (2)
	9 Operating Instructions	See Contrast table (2)	23	Caution Card SB	See Contrast table (2)
	10 Operating Instructions)	See Contrast table (2)	NSP 24	License Key Label Assy	DXA2190
	11 Operating Instructions	See Contrast table (2)			
	12 Operating Instructions	See Contrast table (2)			
NSP	13 Warranty Card	See Contrast table (2)			
NSP	14 Polyethylene Bag	AHG7117			

(2) CONTRAST TABLE

CDJ-350/SYXJ8, CUXJ, FLXJ, KXJ5 and AXJ5 are constructed the same except for the following:

<u>Mark</u>	<u>No.</u>	<u>Symbol and Description</u>	<u>CDJ-350 /SYXJ8</u>	<u>CDJ-350 /CUXJ</u>	<u>CDJ-350 /FLXJ</u>	<u>CDJ-350 /KXJ5</u>	<u>CDJ-350 /AXJ5</u>
⚠	1	Power Cable	ADG1154	ADG7022	ADG1154	XDG3054	ADG7079
⚠	2	Power Cord (Taiwan)	Not used	Not used	ADG7097	Not used	Not used
	7	Operating Instructions (En, Fr, De)	DRB1508	Not used	Not used	Not used	Not used
	8	Operating Instructions (It, NI, Es, Ru)	DRB1534	Not used	Not used	Not used	Not used
	9	Operating Instructions (En, Fr)	Not used	DRB1507	Not used	Not used	Not used
	10	Operating Instructions (En, Es, Zhtw)	Not used	Not used	DRB1509	Not used	Not used
	11	Operating Instructions (Ko)	Not used	Not used	Not used	DRB1511	Not used
	12	Operating Instructions (Zhcn, En)	Not used	Not used	Not used	Not used	DRB1510
NSP	13	Warranty Card	ARY7107	Not used	Not used	Not used	Not used
	16	Vinyl Bag	Not used	Not used	Z21-013	Not used	Not used
	18	Pad F	DHA1817	DHA1817	DHA1817	DHA1819	DHA1817
	19	Pad R	DHA1818	DHA1818	DHA1818	DHA1820	DHA1818
	20	Packing Case	DHG2957	DHG2958	DHG2960	DHG2962	DHG2961
	21	Recycle Label (M)	Not used	Not used	Not used	DRW2307	Not used
NSP	22	CCC S & E Label	Not used	Not used	Not used	Not used	DRW2310
	23	Caution Card SB	Not used	Not used	ARM7064	Not used	Not used

9.2 EXTERIOR SECTION

1

2

3

4

A

B

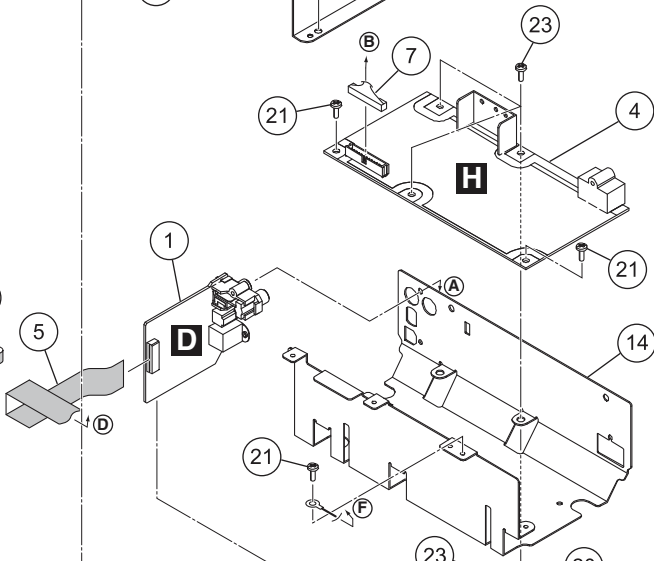
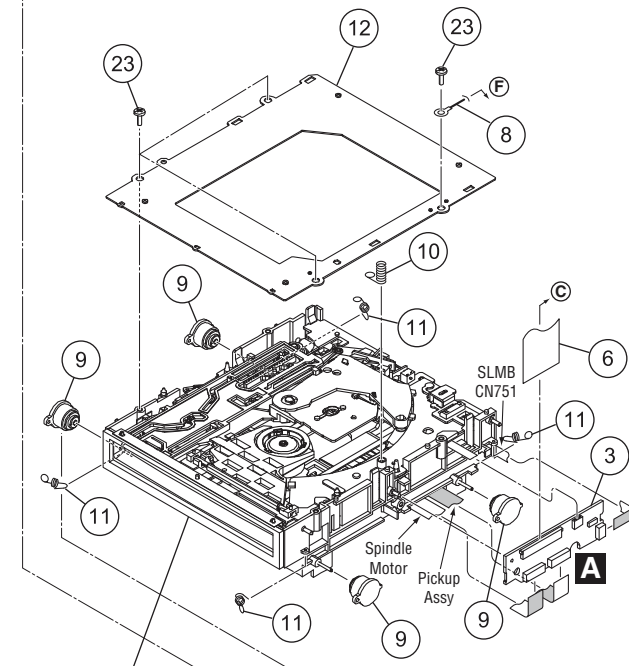
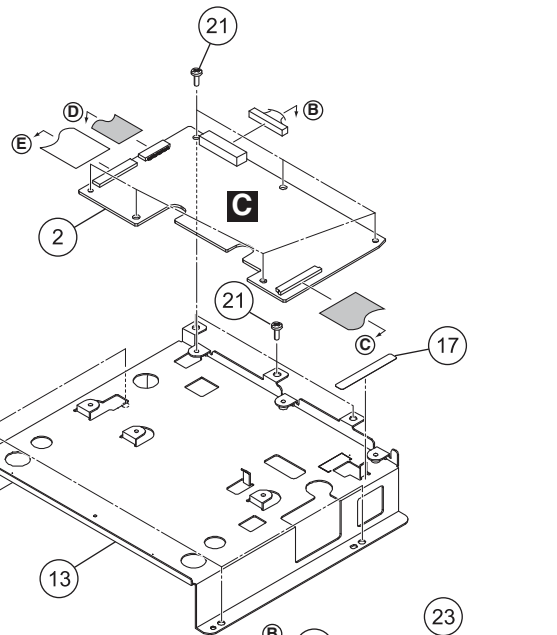
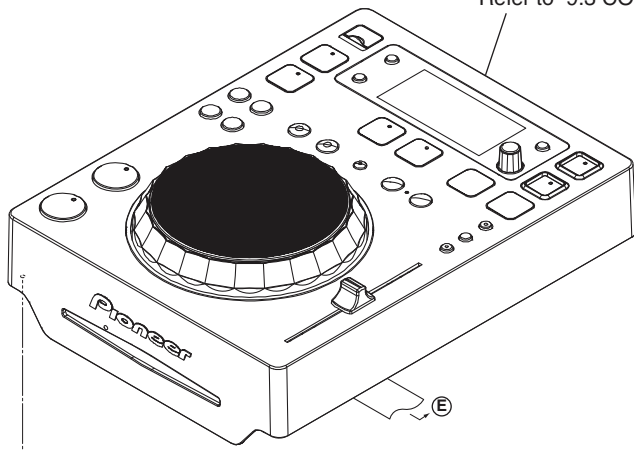
C

D

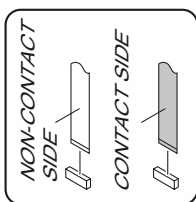
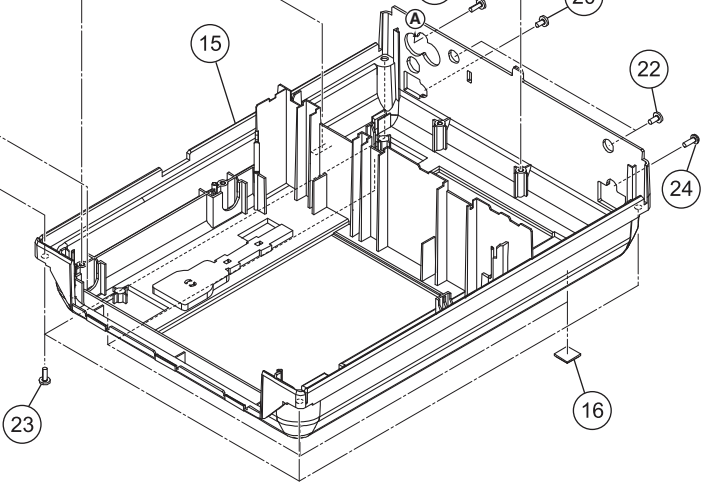
E

F

Refer to "9.3 CONTROL PANEL SECTION".



Refer to "9.4 SLOTIN MECHA SECTION".



1

2

3

4

(1) EXTERIOR SECTION PARTS LIST

Mark No.	Description	Part No.
1	JACK Assy	DWX3107
2	MAIN Assy	DWX3105
3	CNCT Assy	DWX3111
⚠	4 SMPS Assy	See Contrast table (2)
5	17P FFC	DDD1494
6	50P FFC	DDD1536
7	Connector Assy 13P	DKP3865
8	Earth Lead wire	DE007VE0
9	Damper	CNV6011
10	Earth Spring	DBH1398
11	Float Spring (G5)	DBH1494
12	Mecha Plate	DNH2642
13	Main PCB Stay	DNH2914
14	Rear Chassis	DNH2915
⚠NSP	15 Chassis	See Contrast table (2)
16	Rubber Foot	VEB1349
NSP	17 P. U. Caution Label	DRW2448
18	•••••	
19	•••••	
20	Screw (M3 x 5)	DBA1340
21	Screw	ABZ30P060FTC
22	Screw	BBZ30P060FTB
23	Screw	BPZ30P080FTB
24	Screw	PPZ30P080FTB

(2) CONTRAST TABLE

CDJ-350/SYXJ8, CUXJ, FLXJ, KXJ5 and AXJ5 are constructed the same except for the following:

Mark	No.	Symbol and Description	CDJ-350 /SYXJ8	CDJ-350 /CUXJ	CDJ-350 /FLXJ	CDJ-350 /KXJ5	CDJ-350 /AXJ5
⚠	4	SMPS Assy	DWR1482	DWR1481	DWR1482	DWR1482	DWR1482
⚠NSP	15	Chassis	DNK5576	DNK5780	DNK5781	DNK5784	DNK5782

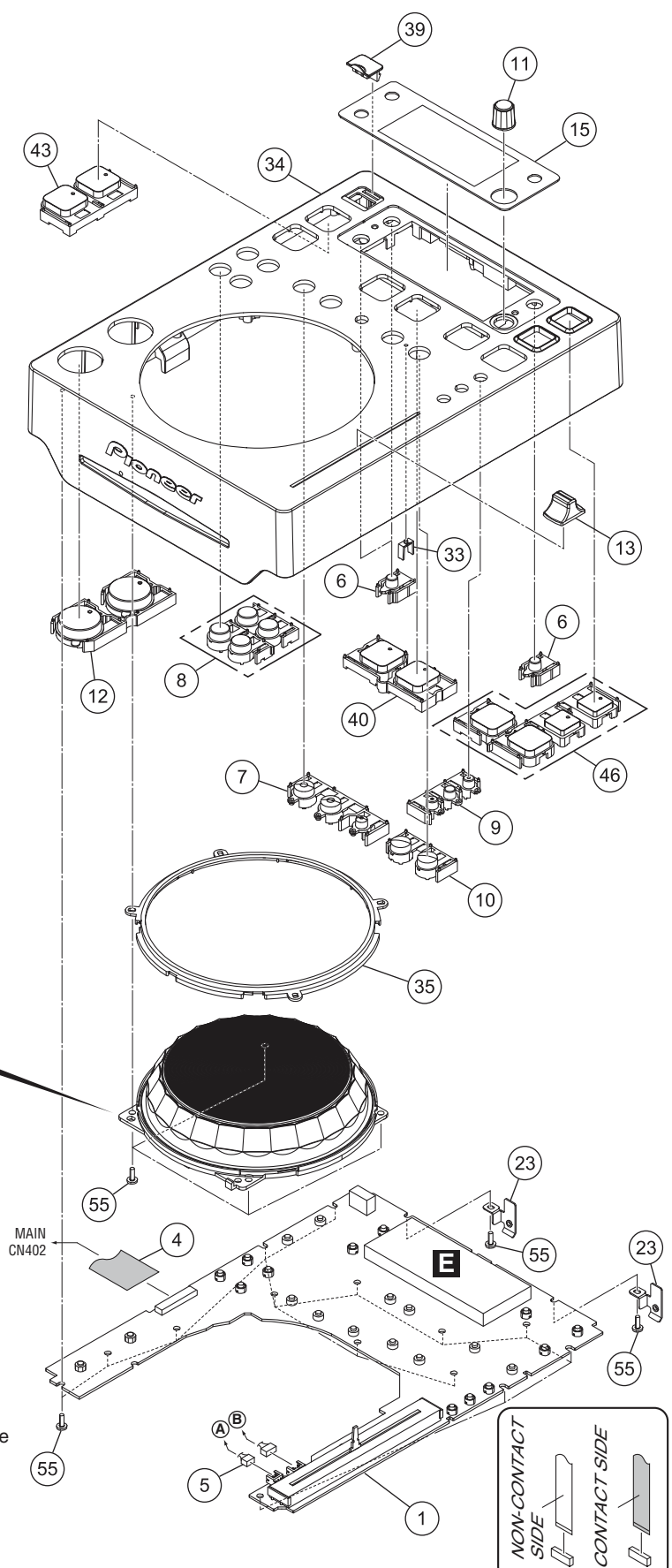
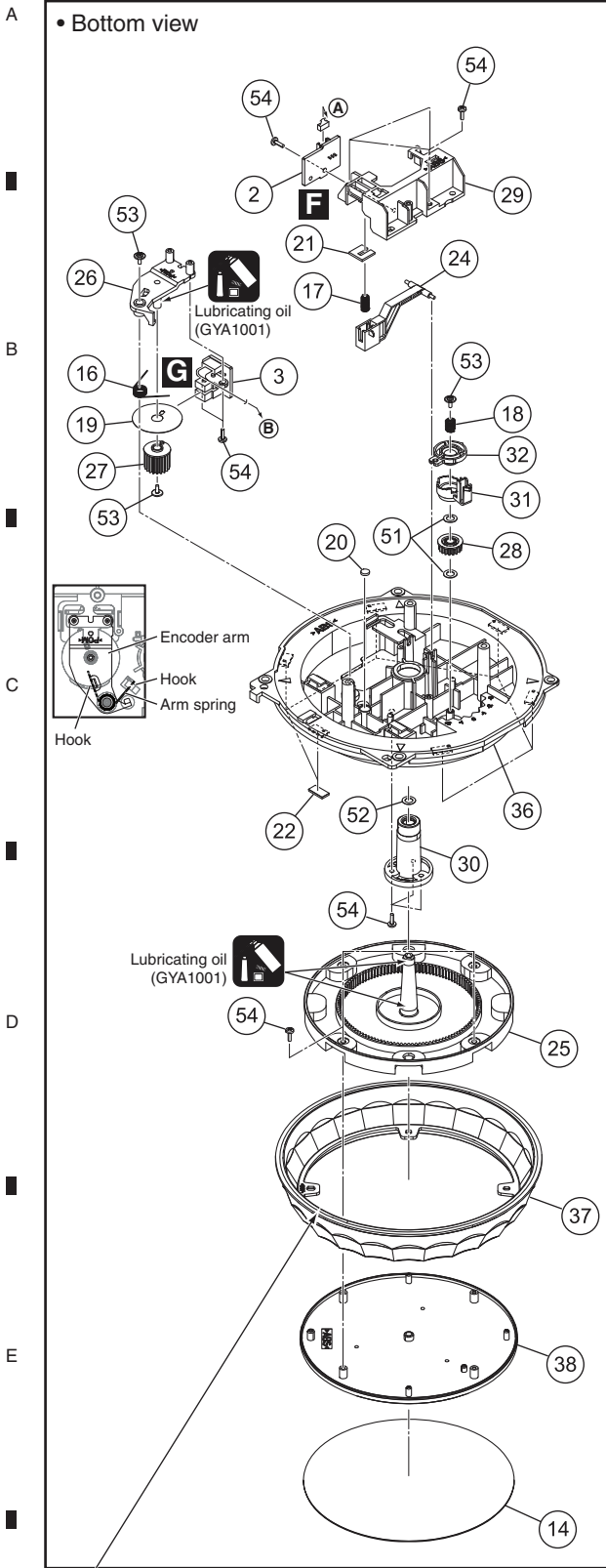
9.3 CONTROL PANEL SECTION

1

2

3

4



Note:
During reassembly, be careful not to scratch the sliding surface of the back side of the Jog dial B.
(Scratches on the sliding surface may cause noise during turning of the Jog dial.)

1

2

3

4

CONTROL PANEL SECTION PARTS LIST

<u>Mark No.</u>	<u>Description</u>	<u>Part No.</u>	<u>Mark No.</u>	<u>Description</u>	<u>Part No.</u>
1	PNLB Assy	DWX3106	46	Standby Button Assy	DXB2065
2	TCHB Assy	DWX3109	47	•••••	
3	JOGB Assy	DWX3124	48	•••••	
4	27P FFC	DDD1537	49	•••••	
5	Connector Assy	PF03PP-B17	50	•••••	
6	Display Button	DAC2574	51	Washer	WA41D070D025
7	Loop Button	DAC2575	52	Washer	WT32D080D050
8	Search Button	DAC2576	53	Screw (FE)	DBA1265
9	Vinyl Tempo Button	DAC2577	54	Screw	BPZ20P060FTC
			55	Screw	BPZ30P080FTB
10	Beat Loop Button	DAC2578			
11	Dial Knob	DAC2579			
12	Play Button	DAC2580			
13	Slide Knob	DAC2594			
14	Jog Plate	DAH2775			
15	Display Panel	DAH2789			
16	Arm Spring	DBH1612			
17	Lever Spring	DBH1726			
18	Load Spring	DBH1727			
19	Encorder Plate	DEC2889			
20	Lever Cushion (A)	DEC3001			
21	Lever Cushion (B)	DEC3002			
22	Slide Sheet	DEC3227			
23	Ground Holder	DNH2917			
24	Jog Lever	DNK4763			
25	Jog Shaft	DNK4934			
26	Encorder Arm	DNK4936			
27	Encorder Gear	DNK4937			
28	Load Gear	DNK5178			
29	Lever Holder	DNK5206			
30	Shaft Holder	DNK5514			
31	Cam Plate	DNK5546			
32	Push Plate	DNK5547			
33	Beat Loop Lens	DNK5548			
⚠	34 Control Panel	DNK5549			
	35 Color Ring A	DNK5550			
36	Jog Holder	DNK5552			
37	Jog Dial B	DNK5571			
38	Jog Dial A	DNK5574			
39	USB Cover	DNK5657			
40	Source Select B Assy	DXB2063			
41	•••••				
42	•••••				
43	USB Stop Button Assy	DXB2064			
44	•••••				
45	•••••				

SLOTIN MECHA SECTION PARTS LIST

<u>Mark No.</u>	<u>Description</u>	<u>Part No.</u>	
	1 SLMB Assy	DWX3108	
	2 TM Assy-S (VTM091)	DXX2616	A
	3 24P FFC	DDD1491	
	4 5P FFC	DDD1492	
NSP	5 SLOTIN MECHA Assy	DXA2206	
	6 Loading Motor Assy-S	DXX2615	
NSP	7 DC Motor	DXM1384	
NSP	8 Worm Gear	DNK3910	
	9 Lead Wire	ZWNN1007G28-8-06A	
	10 Lead Wire	ZWNN1007G28-9-06A	
	11 Clamp Spring	DBH1374	B
	12 Guide Spring	DBH1375	
	13 SW. Lever Spacer SV	DEC2831	
	14 Loading Lever	DNK3406	
	15 Main Cam	DNK3407	
	16 Disc Guide	DNK3478	
	17 Clamp Arm	DNK3576	
	18 Eject Lever	DNK3684	
	19 Lever AP	DNK3835	
	20 Lever BP	DNK3836	C
	21 Loading Gear	DNK3911	
	22 Drive Gear	DNK3912	
	23 Loading Base SV	DNK4369	
	24 SW Lever SV1	DNK4370	
	25 SW Lever SV2	DNK4371	
	26 Gear Holder SV	DNK4372	
	27 Clamper Assy-S	DXX2661	
	28 •••••		
	29 •••••		D
	30 Screw	BPZ20P060FTC	
	31 Spacer POR (T3)	DEB1566	
	32 Vessel Cushion A	DEC2852	
	33 Vessel Cushion B	DEC2853	
	34 Vessel Cushion C	DEC2854	
	35 Front Sheet	DED1132	
	36 Float Base 05 Assy	DXB2068	
	37 Floating Rubber (SI)	VEB1351	
	38 Binder	ZCA-SKB90BK	E

12. PCB PARTS LIST

NOTES: ● Parts marked by "NSP" are generally unavailable because they are not in our Master Spare Parts List.

● The Δ mark found on some component parts indicates the importance of the safety factor of the part. Therefore, when replacing, be sure to use parts of identical designation.

● When ordering resistors, first convert resistance values into code form as shown in the following examples.

Ex.1 When there are 2 effective digits (any digit apart from 0), such as 560 ohm and 47 k ohm (tolerance is shown by J = 5%, and K = 10%).

560 Ω \rightarrow 56 $\times 10^1$ \rightarrow 561 RD1/APU $\boxed{5}$ $\boxed{6}$ $\boxed{7}$ J
47 k Ω \rightarrow 47 $\times 10^3$ \rightarrow 473 RD1/APU $\boxed{4}$ $\boxed{7}$ $\boxed{3}$ J
0.5 Ω \rightarrow R50 RN2H \boxed{R} $\boxed{5}$ $\boxed{0}$ K
1 Ω \rightarrow 1R0 RSIP $\boxed{7}$ \boxed{R} $\boxed{0}$ K

Ex.2 When there are 3 effective digits (such as in high precision metal film resistors).

5.62 k Ω \rightarrow 562 $\times 10^1$ \rightarrow 5621 RN1/4PC $\boxed{5}$ $\boxed{6}$ $\boxed{2}$ $\boxed{1}$ F

● Meaning of the figures and others in the parentheses in the parts list.

Example) IC 301 is on the point (face A, 91 of x-axis, and 111 of y-axis) of the corresponding PC board.

IC 301 (A, 91, 111) IC NJM2068V

Mark No. Description Part No.

Mark No. Description Part No.

LIST OF ASSEMBLIES

NSP 1..PANL ASSY DWM2380
2..PNLB ASSY DWX3106
2..JACK ASSY DWX3107
2..SLMB ASSY DWX3108
2..TCHB ASSY DWX3109

C 2..JOGB ASSY DWX3124

NSP 1..MACN ASSY DWM2391
2..MAIN ASSY DWX3105
2..CNCT ASSY DWX3111

Δ 1..SMPS ASSY (SYXJ8,FLXJ,KXJ5,AXJ5) DWR1482
 Δ 1..SMPS ASSY (CUXJ) DWR1481

Mark No. Description Part No.

A CNCT ASSY

MISCELLANEOUS

L 951,952 INDUCTOR CTF1410
S 951 SLIDE SWITCH VSH1018
CN 951 12P FFC CONNECTOR DKN1450
CN 952 24P FFC CONNECTOR DKN1445
CN 953 5P CONNECTOR DKN1402

CN 954 CONNECTOR DKN1407
CN 955 4P CONNECTOR DKN1288

RESISTORS

R 967,968 RS1/10SR0R0J
Other Resistors RS1/16SS###J

CAPACITORS

C 951,955 CKSSYB104K16
C 952,953,964,968 CKSSYB103K16
C 956,969 CEVQW220M16

B SLMB ASSY

MISCELLANEOUS

S 751,752 PUSH SWITCH DSG1017
CN 751 5P CONNECTOR VKN1265

C MAIN ASSY SEMICONDUCTORS

IC 101 DYW1792
IC 102 K4S561632J-UC75
IC 103 R5S72630P200FP
IC 105 TC74VHCU04FT
IC 107 TS3USB30RSW

IC 201 TC94A15FG
IC 203 NJM2903M
IC 204 BD7956FS
IC 205 TC7W04FU
 Δ IC 206 BA00BCOWFP

IC 301 DSPC56371AF180
IC 302 PCM1742KE
IC 303 RNB4580F
 Δ IC 401 BA33BCOWFP
 Δ IC 402,408 S-1170B33UC-OTS

Δ IC 403,404 BD00KA5WFP
 Δ IC 405,406 NJM2872BF05
 Δ IC 409 BD9326EFJ
IC 410 TC74VHCT08AFTS1
IC 411 TC74VHC08FTS1

Q 101,405,408 HN1C01FU
Q 102,410,412,413 RT1N241M
Q 104,107,302,303 RT3T22M
Q 109 RT1N141M-11
Q 201 2SA1036K

Q 301,402,404,406 2SA1576A
Q 411 LSC4081UB
Q 414 RT1P141M
Q 415 2SA1576A
D 101,103,304,405 1SS352

D 401 RSX201L-30
D 406 1SS352

MISCELLANEOUS

L 201-218 INDUCTOR CTF1545
L 403 INDUCTOR CTH1254
F 101,102,301 EMI FILTER DTL1106
KN 404 WRAPPING TERMINAL CKF1089
X 101 CRYSTAL(33 MHz) DSS1193

X 102 CRYSTAL (48 MHz) ASS7099

Mark	No.	Description	Part No.	Mark	No.	Description	Part No.
X	103	CRYSTAL RESONATOR (16.9344 MHz)	VSS1084	C	171,173		CCSRCH180J50
CN	201	CONNECTOR	DKN1404	C	176-178,272,274		CCSSCH331J50
CN	401	CONNECTOR	AKM1299				
CN	402	27P CONNECTOR	RKN1068	C	180,187-193,211		VCG1063
				C	184,254,271,486		CCSSCH101J50
CN	403	17P CONNECTOR	RKN1058	C	185		CCSSCH150J50
				C	194,210,231,235		CKSSYB103K16
				C	201,204,209,212		CKSSYB104K10
RESISTORS							
R	101,102,106,107		RAB4CQ330J				
R	103-105,108		RAB4CQ560J	C	202,225,239,318		CEHVAW470M6R3
R	110-113,132		RAB4CQ330J	C	203		CCSSCH470J50
R	134-136,138		RAB4CQ330J	C	205,220		CKSSYB153K16
R	156		RS1/16SS5601F	C	206,207		CKSSYB223K16
				C	208		CKSSYB102K50
R	166,339,345		RS1/10SR0R0J				
R	186-188		RAB4CQ560J	C	213,217-219		CKSSYB104K10
R	189		RS1/16SS1002F	C	215		CKSSYB471K50
R	190		RS1/16SS2002F	C	216		CKSSYB681K50
R	255,347		RS1/10SR222J	C	221-224,230,233		CKSSYB104K10
				C	227		CCSSCH680J50
R	258,260-262		RS1/4SA1R0J				
R	263,264		RS1/4SA2R7J	C	228,246,247,252		CEHVAW470M16
R	265		RS1/10SR1002F	C	232,238		CKSSYB333K10
R	272,273		RS1/10SR683J	C	234,236,237,253		CKSSYB104K10
R	287		RS1/16SS1502F	C	241		CKSRYB333K25
				C	242		CKSSYB331K50
R	288		RS1/16SS1003F				
R	289,422,426		RS1/16SS3302F	C	243		CKSSYB271K50
R	323,324,356,357		RS1/16SS4702D	C	244,245,250,263		CKSSYB104K16
R	325,326		RS1/16SS2200D	C	248		CCSSCH471J50
R	327,328,469		RS1/16SS2201D	C	249,251,260,262		CKSSYB103K16
				C	255		CKSRYB122K50
R	329,332		RS1/16SS4701D				
R	330,331		RS1/16SS3301D	C	256,259,301-303		CKSSYB104K10
R	333,334		RS1/16SS5101D	C	257,258		CKSRYB222K50
R	421		RS1/16SS2202F	C	261,264,267,283		VCG1063
R	423		RS1/16SS4702F	C	265,436,454		CKSRYB104K50
				C	268,276,278,340		CKSQYB225K10
R	424		RS1/16SS1102F				
R	427		RS1/16SS5602F	C	275,308,311,335		CCSSCH331J50
R	467		RS1/16SS7500F	C	401,402,415		CKSRYB105K10
R	468		RS1/16SS1102D	C	445,468,471		CCSRCH102J50
R	470,471,483		RS1/4SA0R0J	C	304,305,307,342		CKSSYB103K16
				C	306,310,313,314		CKSSYB104K10
R	472-474,477,480		RS1/10SR330J				
R	481		RS1/10SR330J	C	309,312,317,400		VCG1063
R	1008,1009		RS1/8SQ0R0J	C	315,411,412		CEHVAW220M6R3
Other Resistors			RS1/16SS###J	C	316,1005		CCSRCH331J50
				C	319,321,403,407		CKSSYB104K10
				C	322,323,405,406		CEHVAW101M6R3
CAPACITORS							
C	101,103-105,107		CKSSYB104K10				
C	102,124,152,186		CKSSYB103K16	C	326,327		CCSRCH681J50
C	106,114,117,119		VCG1063	C	328,329		CCSRCH561J50
C	108,122,126,150		CCSSCH331J50	C	331,333,431,448		CEHVAW470M16
C	109,110,214,320		CEHVAW101M6R3	C	337		CKSSYB103K25
				C	341,499,1002		CKSQYB225K10
C	111-113,115,116		CKSSYB104K10				
C	118,120,125		CKSSYB104K10	C	404,422,424,427		DCH1165
C	121,123,130,131		VCG1063	C	408,420,423,425		CKSSYB104K10
C	127-129,132,133		CKSSYB104K10	C	409,410		CKSSYB105K6R3
C	134,138,143,154		VCG1063	C	413,428,432		CKSSYB104K16
				C	414,416,435,470		CKSSYB103K16
C	135-137,139-142		CKSSYB104K10				
C	144-147,151,153		CKSSYB104K10	C	417,419		CKSRYB105K10
C	148,169		CCSRCH100D50	C	418,430,467		VCG1063
C	149,167		CCSRCH9R0D50	C	421,434,497,1006		CCSSCH331J50
C	155-158,160		CKSSYB104K10	C	437		CKSRYB474K10
				C	438,444,446,447		CKSSYB104K10
C	159,161,165,179		VCG1063				
C	162-164,170,174		CKSSYB104K10	C	440		CKSSYB222K50
C	166,266,284,469		CKSRYB103K50	C	442,443		DCH1165

Mark	No.	Description	Part No.
	C	452	CEHVAW470M16
	C	453,455,458-460	CKSSYB104K10
	C	461	CKSRYB104K16
A	C	462,475,478,480	CKSSYB104K10
	C	472-474,495,1001	VCG1063
	C	483-485	CKSSYB221K50
	C	487,491-494	CCSSCH101J50
	C	496,1003	CKSRYB103K50
	C	498,1004	CKSSYB103K16
	C	1007	CCSSCH331J50

Mark	No.	Description	Part No.
	S	512-515,518-524 TACT SWITCH	DSG1079
	S	516,517 TACT SWITCH	DSG1117
	S	527 ROTARY SW	YSD5019
	X	501 CRYSTAL RESONATOR (15.975 MHz)	DSS1166
	CN	501 L-PLUG(4P)	KM200NA4L
	CN	502 27P CONNECTOR	VKN1287
	CN	504 L-PLUG(3P)	KM200NA3L
	0	LED SPACER	DEC3335

RESISTORS

R	513,514	RS1/10SR2201F
R	616	RS1/10SR1001F
R	617	RS1/10SR2701F
R	631-634	RS1/8SQ1R8J
	Other Resistors	RS1/10SR###J

CAPACITORS

C	501	CEJQ101M16
C	502,506,508-510	CKSRYB103K50
C	504,507	CEJQ470M16
C	505,513	CEHAR101M10
C	511	CEHAR100M50
C	514-519	CKSRYB102K50
C	520,548	CKSRYB474K10
C	521,551,556,557	CCSRCH102J50
C	522	DCH1319
C	523,531,532,537	CKSRYB104K16

D JACK ASSY

SEMICONDUCTORS

Q	701-704	INC2002AC1
D	701,702	1SS352
D	703-706,708-712	RKZ5.6KG(B2)
D	707	NNCD6.2MF

MISCELLANEOUS

JA	701	RCA 2 PIN JACK	XKB3057
JA	702	JACK	VKB1243
JA	703	USB-B CONNECTOR	DKN1237
CN	701	17P CONNECTOR	VKN1277

RESISTORS

	All Resistors	RS1/10SR###J
--	---------------	--------------

CAPACITORS

C	701,702	CEANP101M16
C	703	CKSRYB105K10
C	704,705,710,711	CCSRCH102J50
C	707	CEAT471M16

E PNLB ASSY

SEMICONDUCTORS

IC	501	PEG740A8-K
IC	502	BU4242G
IC	504	BD2051AFJ
⚠	IC	505 NJM2845DL1-05
Q	501	LSC4081UB
Q	502	2SA2092
Q	503-511,513-516	RT1N241M
Q	512,519	RT1P241M-11
Q	517	2SD1898
Q	518	2SA1576A

D	501,523,524	RKZ5.6KG(B2)
D	504	SLI-343M8C(FGHJ)
D	505-508,515	SLI-343Y8C(KLMN)
D	509-511,514	SLR-343MC(NPQ)
D	512,517	SLR-343VC(NPQ)
D	513	SPR-39MVVF(MN)
D	516	SLR343BC4T(JKLM)
D	519,520,522	1SS352
D	525	NNCD6.2MF

MISCELLANEOUS

L	501-504	INDUCTOR	CTF1378
JA	505	USB-A CONNECTOR	DKN1620
V	501	VFD	DEL1072
VR	501	VR	DCV1009
S	501-511,525	SWITCH	VSG1024

F TCHB ASSY

SEMICONDUCTORS

IC	801	GP1S094HCZ0F
Q	801	LSC4081UB
D	801	1SS352

MISCELLANEOUS

CN	801	L-PLUG(3P)	KM200NA3L
----	-----	------------	-----------

RESISTORS

	All Resistors	RS1/10SR###J
--	---------------	--------------

CAPACITORS

C	801	CKSRYB104K16
---	-----	--------------

Mark No. Description Part No.

G JOGB ASSY

MISCELLANEOUS

CN 851 CONNECTOR ASSY 4P DKP3864

A

RESISTORS

All Resistors RS1/10SR##J

MISCELLANEOUS

PC 851 PHOTO INTERRUPTER SEDS-7573

CAPACITORS

C 851 CKSQYB225K10
C 852,853 CKSRYB103K50

H SMPS ASSY

There is no service parts.

B

C

D

E

F