

# 2.2 EXTERIOR SECTION

A

Refer to "2.3 CONTROL PANEL SECTION".

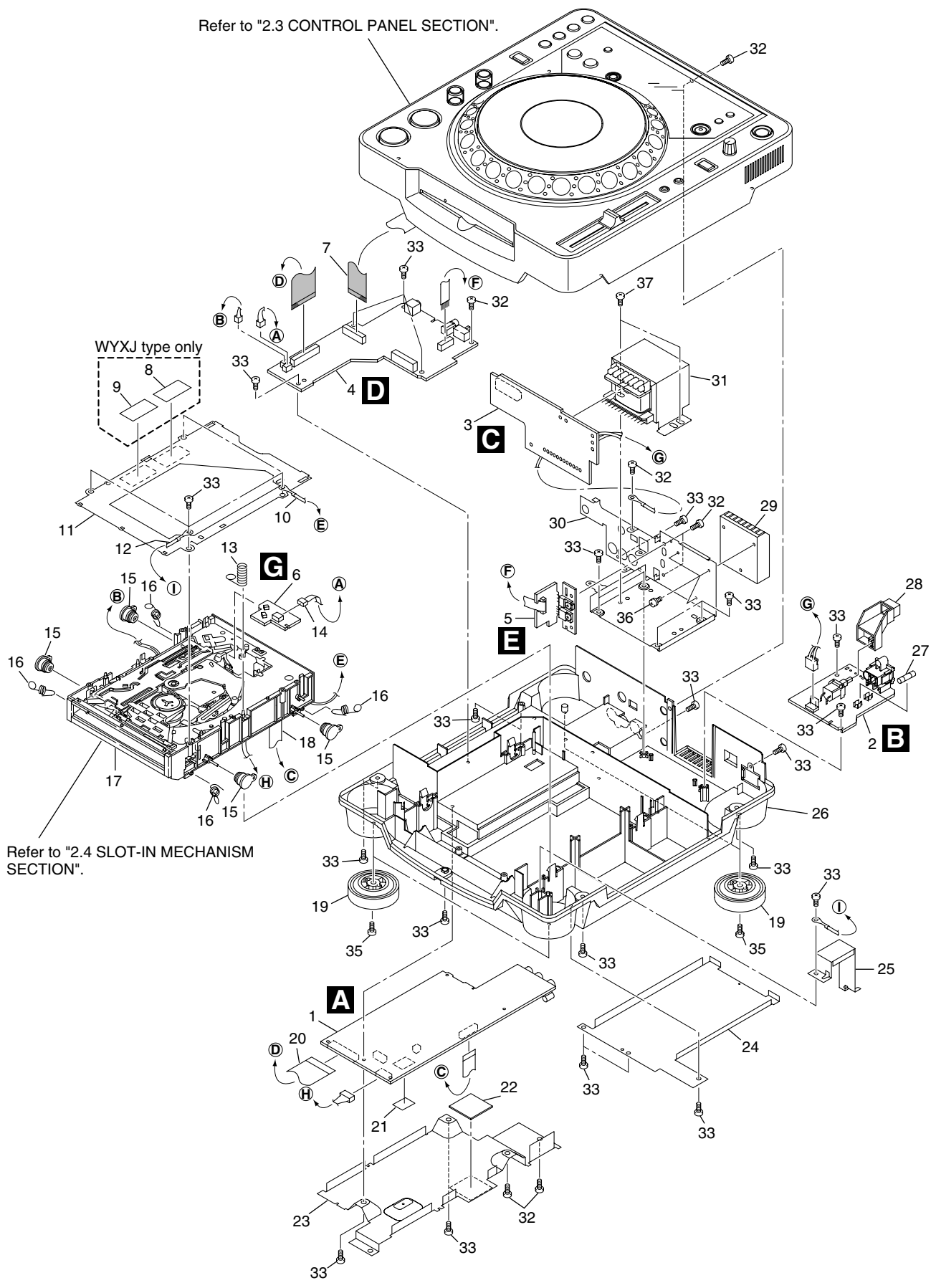
B

C

D

E

F



## EXTERIOR SECTION parts List

<u>Mark No.</u>	<u>Description</u>	<u>Part No.</u>	<u>Mark No.</u>	<u>Description</u>	<u>Part No.</u>
1	MAIN Assy	DWG1563	20	25P F•F•C/60V	DDD1223
2	AC IN Assy	See Contrast table(2)			
3	TRNS Assy	DWR1364	NSP 21	Silicon Rubber D5 L	DEB1456
4	SECB Assy	DWR1361	22	Bottom Cushion S4	DEC2506
5	REGB Assy	DWR1362	23	Bottom Plate P	DNH2531
			24	Bottom Plate M	DNH2546
6	SLMB Assy	DWS1322	25	Earth Plate	DNH2532
7	19P F•F•C/60V	DDD1222			
8	Caution Label	See Contrast table(2)	NSP 26	Chassis	See Contrast table(2)
9	Caution Label HE	See Contrast table(2)	⚠ 27	FU11 Fuse	See Contrast table(2)
10	Earth Lead Unit	PDF1104	28	Power Knob	DAC2073
			29	Heat Sink	DNG1086
11	Mecha Plate	DNH2339	30	Trans Plate	DNH2529
NSP 12	Cord with Plug	DE010VF0			
13	Earth Spring	DBH1398	⚠ 31	T21 Power Transformer	See Contrast table(2)
14	Connector Assy	PG03KK-E22	32	Screw	BBZ30P080FMC
15	Damper	CNV6011	33	Screw	BPZ30P080FZK
			34	.....	
16	Float Spring G5	DBH1494	35	Screw	IPZ30P100FMC
NSP 17	Slot-in Mecha S4 Assy	DXA1946			
18	Lead Card 16P	DDD1221	36	Screw	PMA30P060FMC
19	Insulator Assy	DXA1945	37	Screw	BBZ40P060FMC

### (2) CONTRAST TABLE

CDJ-800/KUCXJ and WYXJ types are constructed the same except for the following:

Mark	No.	Symbol and Description	Part No.	
			KUCXJ	WYXJ
	2	AC IN Assy	DWR1366	DWR1363
	8	Caution Label	Not used	VRW1094
	9	Caution Label HE	Not used	PRW1233
NSP	26	Chassis	DNK4060	DNK4059
⚠	27	FU11 Fuse (1.6A/125V)	REK1077	Not used
⚠	27	FU11 Fuse (T800mA/L250V)	Not used	REK1021
⚠	31	T21 Power Transformer	DTT1169	DTT1168

# 2.3 CONTROL PANEL SECTION

A



\*1 Lubricating oil : ZLB-PN397B

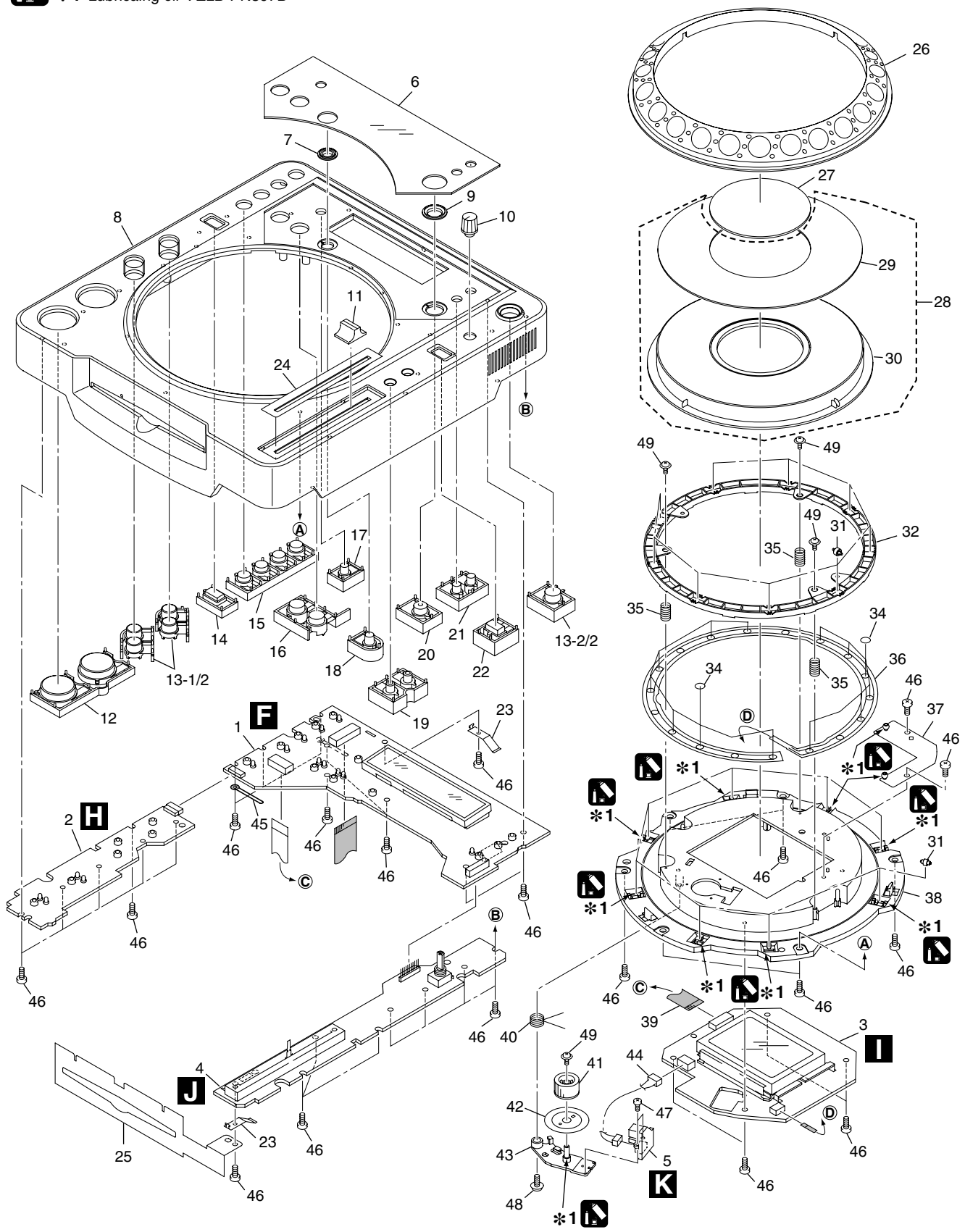
B

C

D

E

F



**CONTROL PANEL SECTION parts List**

<u>Mark No.</u>	<u>Description</u>	<u>Part No.</u>	
1	MFLB Assy	DWG1564	A
2	KSWB Assy	DWS1321	
3	JFLB Assy	DWG1565	
4	SLDB Assy	DWS1323	
5	JOGB Assy	DWG1566	
6	Display Panel	DAH2139	
7	RELOOP Guard	DNK4057	
8	Control Panel	DNK4054	
9	QR Guard	DNK4058	
10	Rotary Knob C	DAA1143	
11	Slide Knob	DAC2067	B
12	PLAY Knob	DAC2059	
13	SET Knob (EJECT)	DAC2060	
14	REVERSE Knob	DAC2068	
15	AUTO BEAT LOOP Knob	DAC2069	
16	LOOP Knob	DAC2066	
17	TIME MODE Knob	DAC2065	
18	RELOOP Knob	DAC2064	
19	TEMPO Knob	DAC2061	
20	QUICK RETURN Knob	DAC2070	C
21	CALL Knob	DAC2062	
22	VINYL Knob	DAC2063	
23	Earth Plate (CU)	DBK1224	
24	Slide Sheet 1C	DAH1988	
25	Vessel Sheet	DEC2495	
26	JOG B	DNK4068	
27	JOG Panel	DAH2182	
28	JOG Assy-S	DXX2521	
29	JOG Plate	DAH2052	D
30	JOG A	DNK4067	
31	Roller A Assy	DXB1773	
32	SW Ring	DNK4070	
33	.....		
34	SW Cushion HH48	DEC2523	
35	SW Spring	DBH1514	
36	Sheet SW	DSX1060	
37	JOG Stay Assy	DXB1774	
38	JOG Holder	DNK4069	E
39	13P F•F•C/60V	DDD1220	
40	Arm Spring	DBH1503	
41	D Gear	DNK4066	
42	ENC Plate	DEC2498	
43	Gear Arm	DNK4065	
44	Connector Assy	PF04PP-B07	
45	Cord Clamper	RNH-184	
46	Screw	BPZ30P080FZK	F
47	Screw	BPZ20P060FMC	
48	Screw	IPZ30P100FMC	
49	Screw	PBA1062	