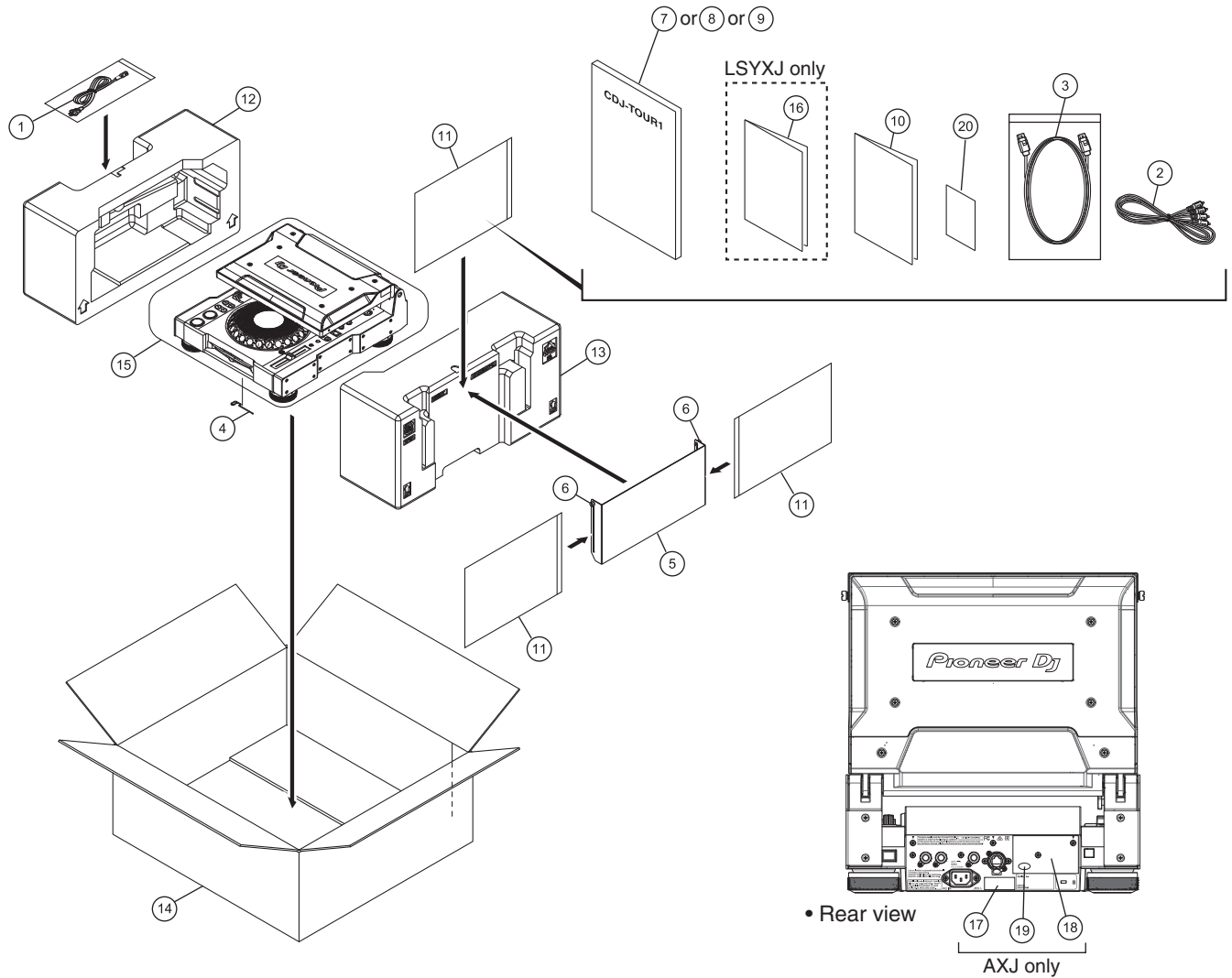


9. EXPLODED VIEWS AND PARTS LIST

- NOTES:
- Parts marked by "NSP" are generally unavailable because they are not in our Master Spare Parts List.
 - The \triangle mark found on some component parts indicates the importance of the safety factor of the part. Therefore, when replacing, be sure to use parts of identical designation.
 - Screws adjacent to ∇ mark on product are used for disassembly.
 - For the applying amount of lubricants or glue, follow the instructions in this manual. (In the case of no amount instructions, apply as you think it appropriate.)

9.1 PACKING SECTION



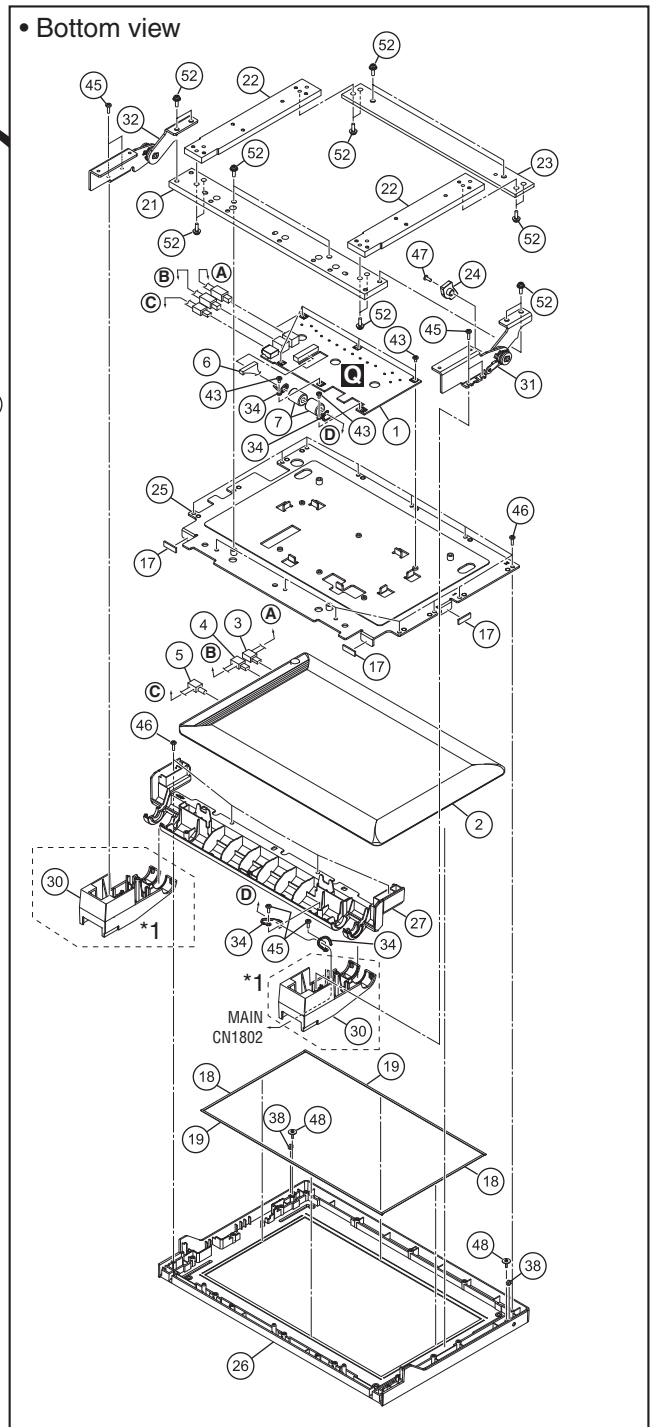
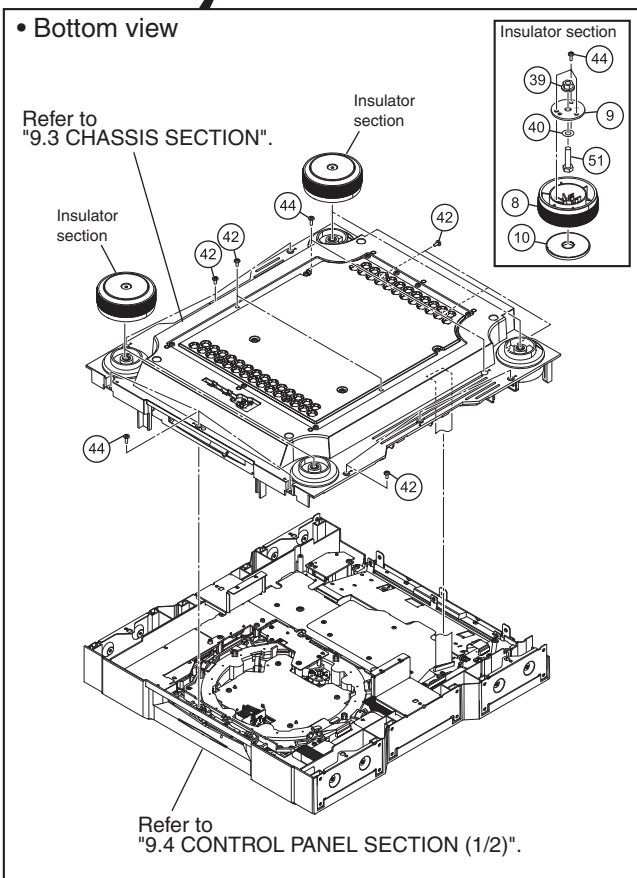
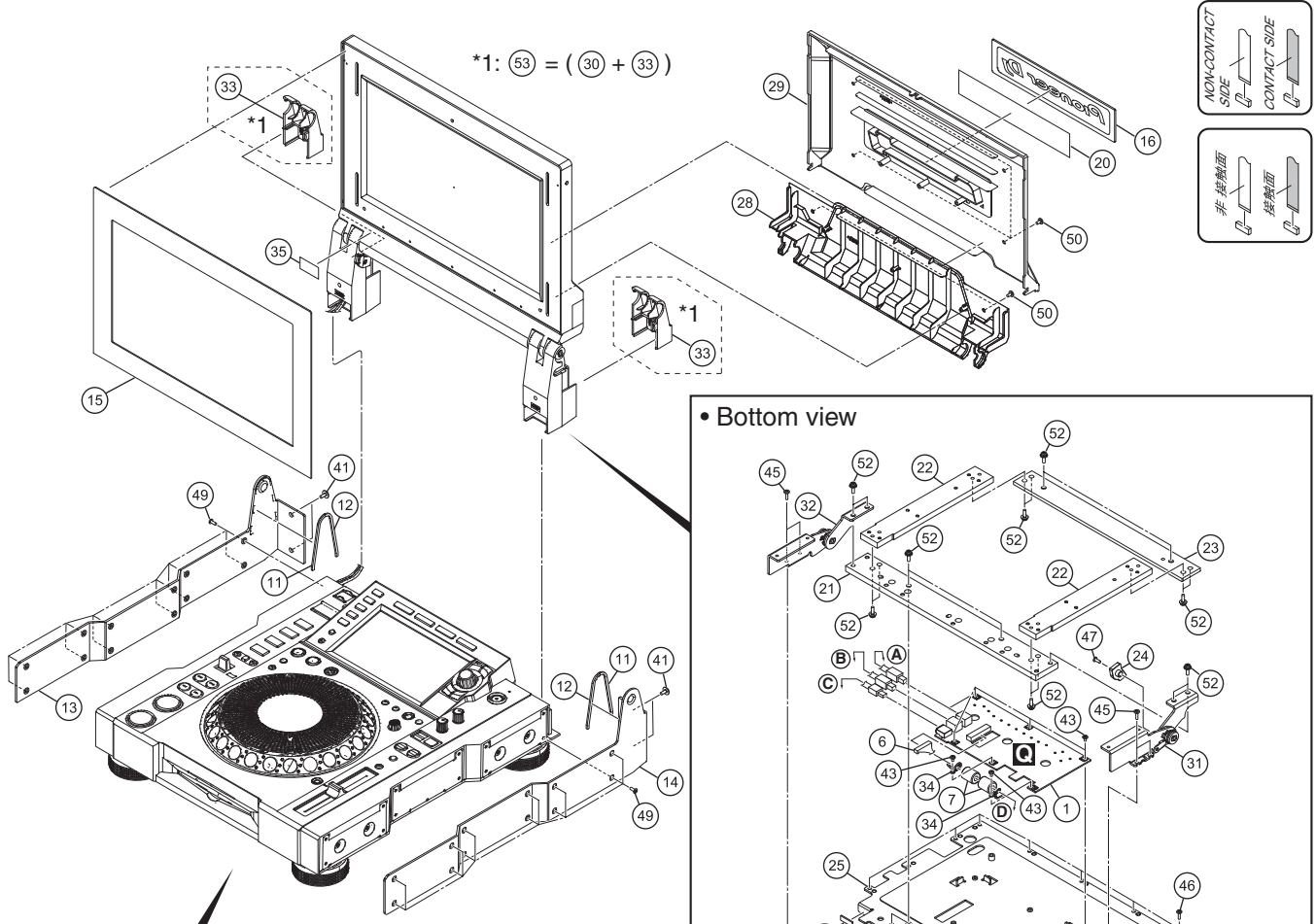
(1) PACKING SECTION PARTS LIST

<u>Mark No.</u>	<u>Description</u>	<u>Part No.</u>	<u>Mark No.</u>	<u>Description</u>	<u>Part No.</u>
A	1 Power Cord	See Contrast table (2)	9	Operating Instructions (Quick Start Guide)	See Contrast table (2)
	2 Audio Cable	XDE3045			
	3 LAN Cable	DDE1141	NSP 10	Leaflet	See Contrast table (2)
	4 Disc Force Eject Pin	DEX1024	NSP 11	Polyethylene Bag	AHG7117
	5 Display Shade	DEC3649	12	Packing Pad	DHA1941
	6 Screw	DBA1448	13	Packing Pad	DHA1942
	7 Operating Instructions (Quick Start Guide)	See Contrast table (2)	14	Packing Case	See Contrast table (2)
	8 Operating Instructions (Quick Start Guide)	See Contrast table (2)	15	Mirror Mat	DHL1200
			NSP 16	Warranty	See Contrast table (2)
			NSP 17	Label	See Contrast table (2)
B			18	Label	See Contrast table (2)
			NSP 19	CCC S Label	See Contrast table (2)
			NSP 20	Other Card	See Contrast table (2)

(2) CONTRAST TABLE

CDJ-TOUR1/LSYXJ, UXJCB, FLXJ and AXJ5 are constructed the same except for the following:

<u>Mark</u>	<u>No.</u>	<u>Symbol and Description</u>	<u>CDJ-TOUR1 /LSYXJ</u>	<u>CDJ-TOUR1 /UXJCB</u>	<u>CDJ-TOUR1 /AXJ</u>
	1	Power Cord	ADG1244	DDG1108	DDG1114
	7	Operating Instructions (Quick Start Guide) (En, Fr, De, It, Ni, Es, Pt, Ru)	DRH1355	Not used	Not used
	8	Operating Instructions (Quick Start Guide) (En)	Not used	DRH1354	Not used
	9	Operating Instructions (Quick Start Guide) (Zhcn)	Not used	Not used	DRH1357
NSP	10	Leaflet	DRH1275	DRH1275	DRH1274
	14	Packing Case	DHG3460	DHG3461	DHG3463
NSP	16	Warranty	DRY1270	Not used	Not used
NSP	17	Label	Not used	Not used	DRW2668
D	18	Label	Not used	Not used	DAL1336
NSP	19	CCC S Label	Not used	Not used	DRW2310
NSP	20	Other Card	Not used	DRM1413	Not used



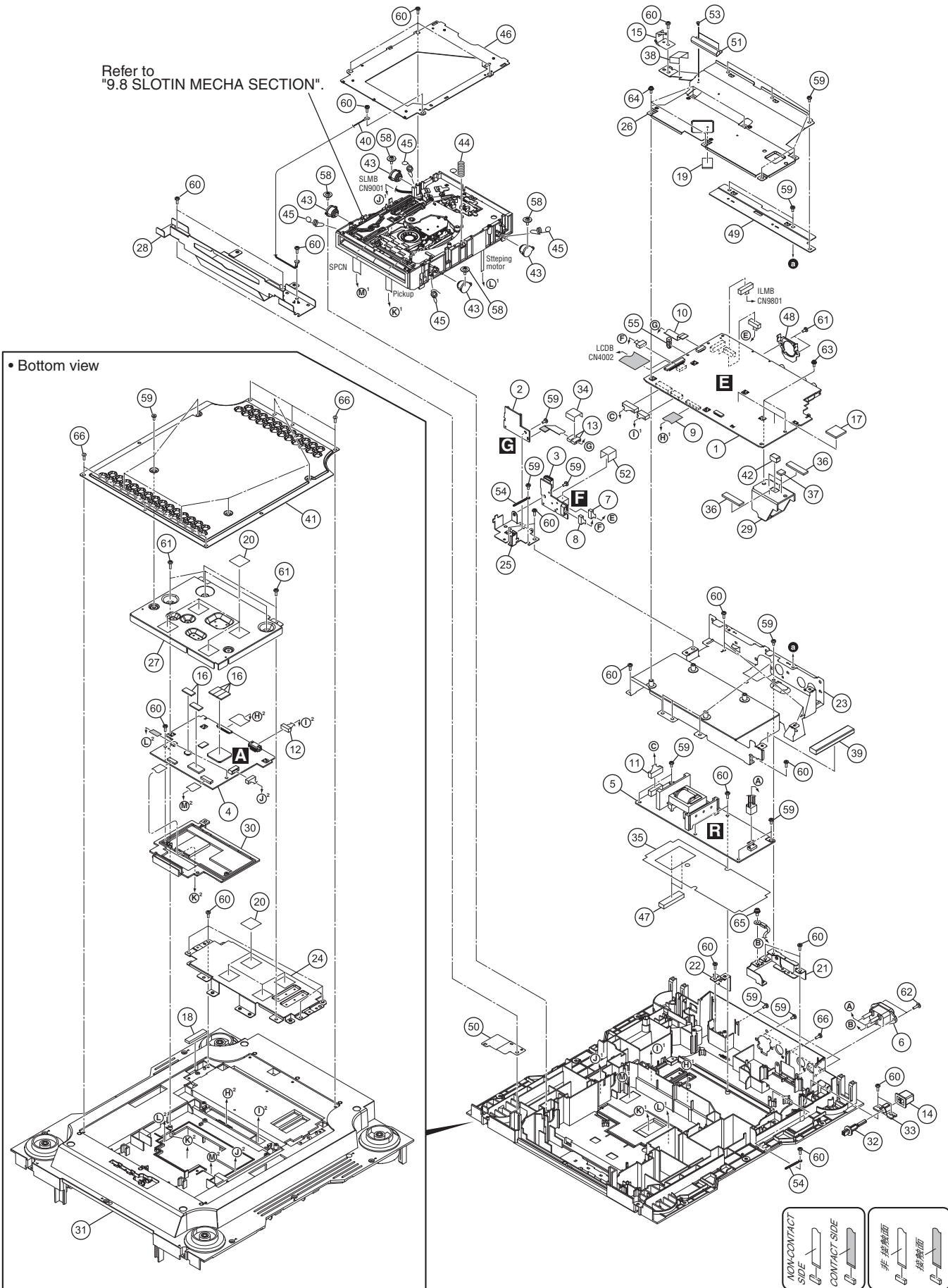
EXTERIOR and TILTABLE DISPLAY SECTIONS PARTS LIST

<u>Mark No.</u>	<u>Description</u>	<u>Part No.</u>	<u>Mark No.</u>	<u>Description</u>	<u>Part No.</u>
A	1 ILMB Assy	DWX3858	46	Screw	BPZ30P100FTC
	2 LCD FULL MODULE SERVICE ASSY	DWX3918	47	Screw	CMZ30P060FTB
	3 USB Conn-Cable	DDE1147	48	Float Fastener	DBA1286
	4 USB Conn-Cable	DDE1148	49	Screw (FE)	DBA1290
	5 USB Conn-Cable	DDE1149	50	Screw	DBA1450
	6 Shielded Conn-Cable	DDA1064	51	Screw	HMZ60Z250FTC
	7 Ferrite Core	ATX7007	52	Screw	PMB40P120FTB
	8 Insulator	DNK6593	53	Cover unit	DXB2183
	9 Plate	DNH3249			
	10 Cushion	DEC3686			
B	11 Cushion	DEC3648			
	12 Cushion	DEC3653			
	13 Frame	DNH3243			
	14 Frame	DNH3244			
	15 Panel	DAH3078			
	16 Panel	DAH3079			
	17 Packing/LCD	DEC3565			
	18 Packing	DEC3645			
	19 Packing	DEC3646			
C	20 Light-D Sheet	DEC3647			
	21 Frame	DLA2245			
	22 Frame	DLA2246			
	23 Frame	DLA2247			
	24 Button	DLA2248			
	25 Chassis	DNH3253			
	26 Bezel	DNK6582			
	27 Cover	DNK6583			
	28 Cover	DNK6584			
D	29 Case	DNK6585			
NSP	30 Cover	DNK6586			
	31 Hinge	DXB2172			
	32 Hinge	DXB2173			
NSP	33 Cover	DNK6587			
	34 Cord Clamper (Steel)	RNH-184			
NSP	35 Label	DRW2678			
	36 •••••				
	37 •••••				
E	38 Nut	NB30FTB			
	39 Nut	NF60FTC			
	40 Washer	WN60FTC			
	41 Screw	AMZ40P080FTB			
	42 Screw	BBZ30P060FTB			
	43 Screw	BMZ30P050FTC			
	44 Screw	BPZ30P080FNI			
	45 Screw	BPZ30P080FTB			

F

9.3 CHASSIS SECTION

Refer to
"9.8 SLOTIN MECHA SECTION".

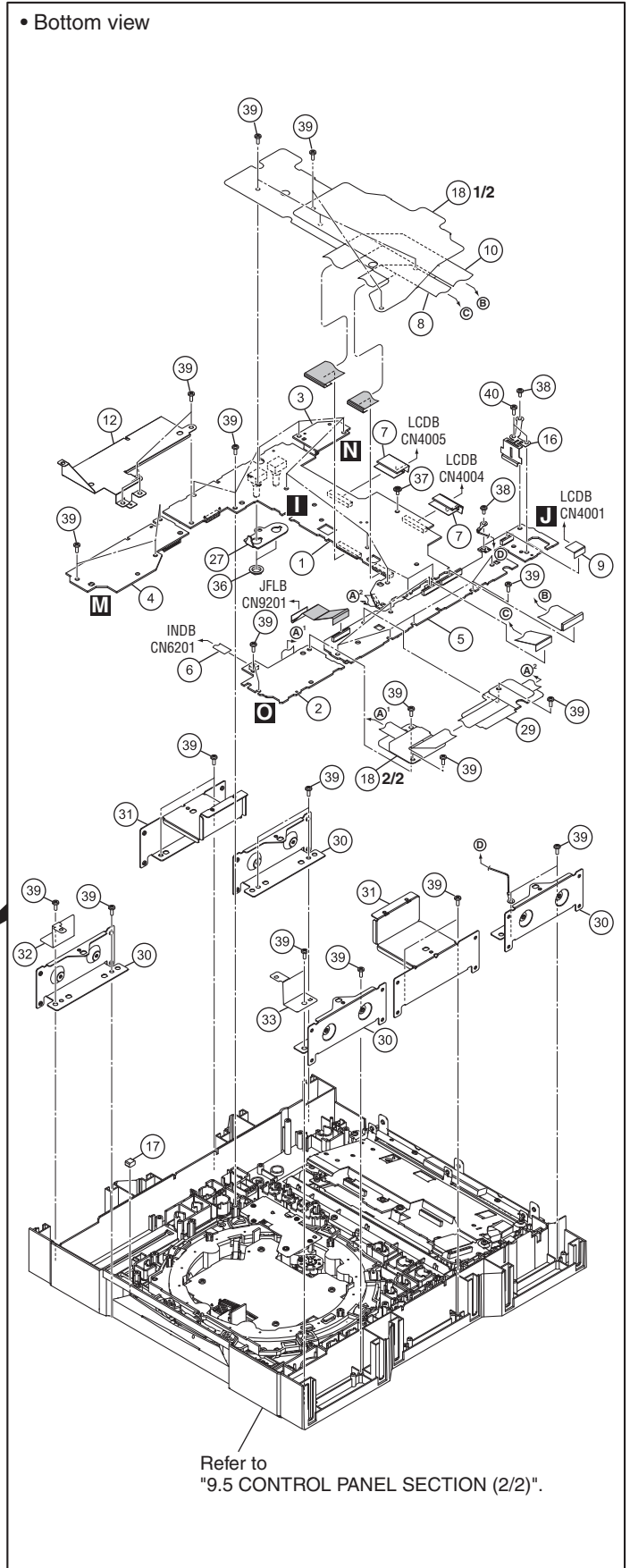
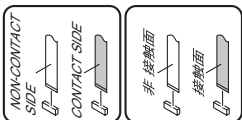
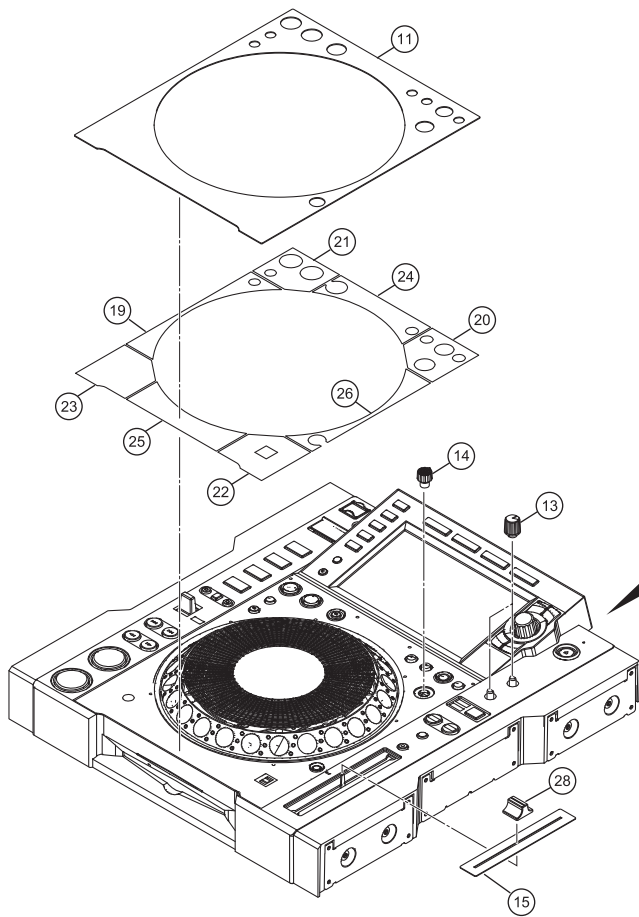


CHASSIS SECTION PARTS LIST

	<u>Mark No.</u>	<u>Description</u>	<u>Part No.</u>	<u>Mark No.</u>	<u>Description</u>	<u>Part No.</u>	
A	1	MAIN Assy	DWX3859	46	Mecha Plate	DNH2339	
	2	SDCB Assy	DWX3694	47	Heat Cond Sheet	DEB2020	
	3	USBA Assy	DWX3695	48	Plate	DNH3248	
	4	SRVB Assy	DWX3696	49	Shield Plate	DNH3251	
	⚠	5	SW POWER SUPPLY	DWR1554	50	Shield Plate	DNH3271
B	⚠	6	AC Inlet	DKP3983	51	Gasket	DEC3693
		7	Shielded Conn-Cable	DDA1053	52	Cushion	DEC3713
		8	Shielded Conn-Cable	DDA1052	53	Push Rivet	DEC3694
		9	FFC	DDD1703	54	Cord Clamper (Steel)	RNH-184
		10	FFC	DDD1706	55	Cable Tie	ZCA-SKB90BK
		11	Crimp Connector	DDC1024	56	•••••	
		12	Connector Assy	PF06PP-S10	57	•••••	
		13	Ferrite Core	BTX1037	58	DM Screw (FTC)	DBA1260
		14	Power Knob	DAC2306	59	Screw	BBZ30P060FTB
		15	SD Earth Spring	DBK1357	60	Screw	BPZ30P080FNI
C		16	Silicon Rubber D5 L	DEB1456	61	Screw	BPZ30P100FTC
		17	Heat Cond Sheet	DEB2018	62	Screw	IBZ30P100FTB
		18	Heat Cond Sheet	DEB2019	63	Screw	PMB30P080FTB
		19	Cushion	DEB2024	64	Screw	PMH30P080FTC
		20	Cushion	DEB2030	65	Screw	PMH40P080FTC
		21	Plate	DNH3247	66	Screw	PPZ30P080FTB
		22	Stay/KST	DNH3021			
		23	Stay	DNH3250			
		24	Stay	DNH3226			
		25	Stay	DNH3227			
D		26	Shield Plate	DNH3229			
		27	Plate	DNH3230			
		28	Plate	DNH3237			
		29	Heat Sink	DNH3238			
		30	Servo Cover	DNK5492			
		⚠	31	Chassis	DNK6588		
		32	Shaft	DNK6501			
		33	Guide	DNK6502			
		34	Cushion	DEC3680			
		⚠	35	Sheet	DEC3660		
E		36	Heat Cond Sheet	DEB2041			
		37	Heat Cond Sheet	DEB2042			
		38	Cushion	DEC3679			
		39	Gasket	DEC3681			
		40	Cord With Plug	DE007VE0			
		41	Panel	DAH3109			
		42	Gasket/JOG	DEC3562			
		43	Damper	CNV7618			
		44	Earth Spring	DBH1398			
		45	Float Spring (G5)	DBH1494			
F							

5 6 7 8

9.4 CONTROL PANEL SECTION (1/2)

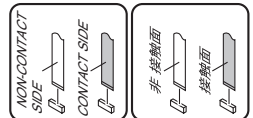
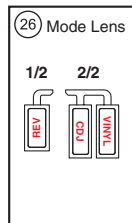
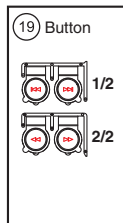
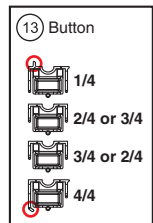
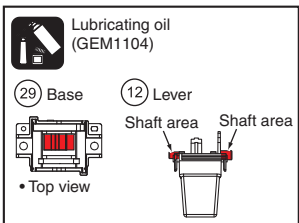
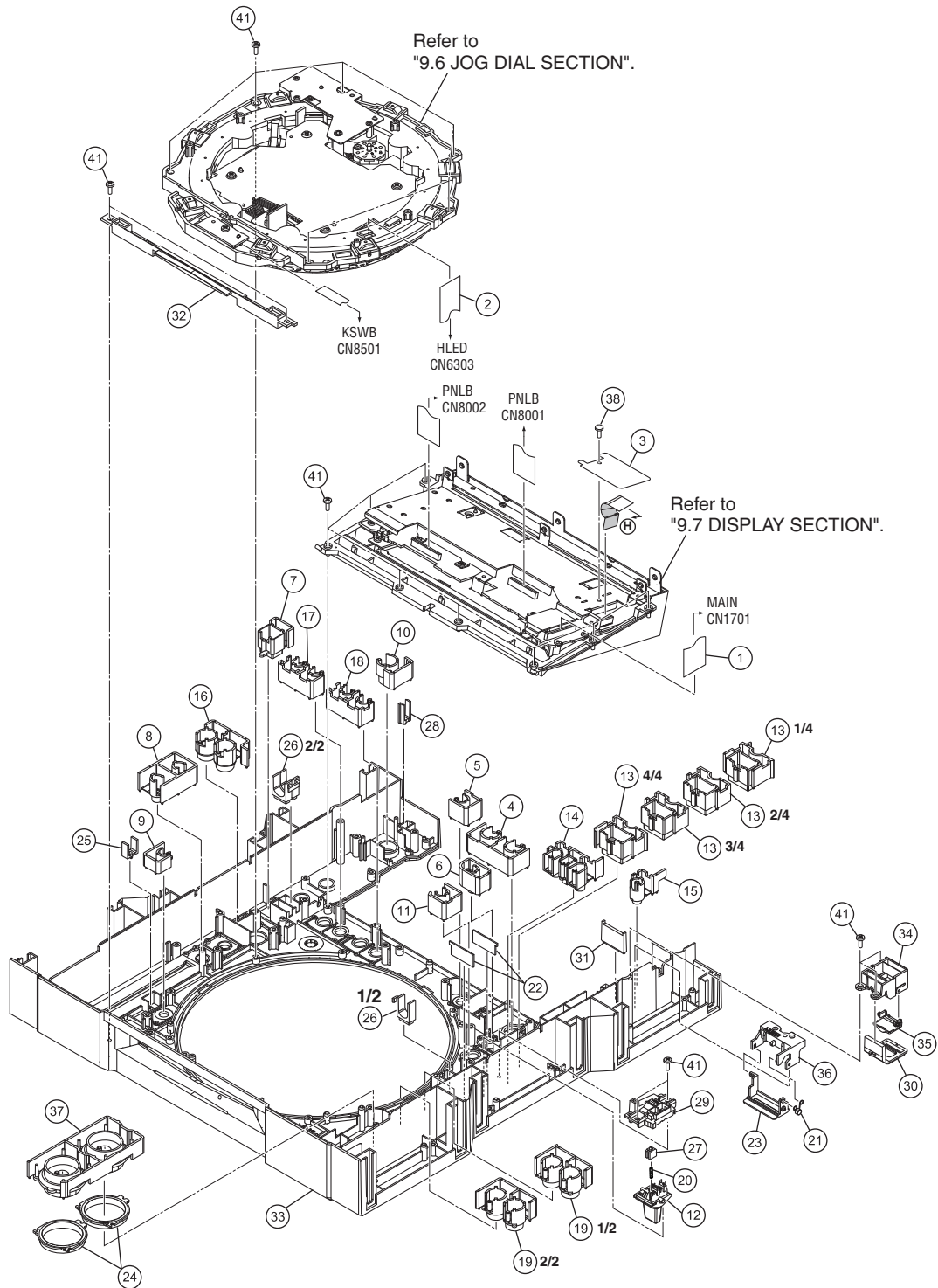


CONTROL PANEL SECTION (1/2) PARTS LIST

<u>Mark No.</u>	<u>Description</u>	<u>Part No.</u>
A	1 PNLB Assy	DWX3702
	2 KSWB Assy	DWX3703
	3 EUPB Assy	DWX3704
	4 SLDB Assy	DWX3705
	5 HLED Assy	DWX3700
B	6 FFC/4P	DDD1641
	7 FFC	DDD1707
	8 FFC	DDD1709
	9 FFC	DDD1711
	10 FFC	DDD1712
C	11 Panel	DAH3051
	12 Plate	DNH3223
	13 Knob	DAA1303
	14 Adjust Knob Black	DAC2528
	15 Slide Sheet 1C	DAH2404
D	16 Leaf Spring	DBK1386
	17 Gasket/JOG	DEC3562
	18 Sheet	DEC3614
	19 DS ADH Sheet	DEH1070
	20 DS ADH Sheet	DEH1071
	21 DS ADH Sheet	DEH1072
	22 DS ADH Sheet	DEH1073
	23 DS ADH Sheet	DEH1074
	24 DS ADH Sheet	DEH1075
	25 DS ADH Sheet	DEH1076
E	26 DS ADH Sheet	DEH1082
	27 Stay/VR	DNF1894
	28 Knob/SLD	DNK6188
	29 Sheet	DEC3729
	30 Plate	DNH3245
	31 Plate	DNH3246
	32 Shield Plate	DNH3270
	33 Shield Plate	DNH3272
	34 •••••	
	35 •••••	
F	36 Flange Nut M9	DBN1008
	37 Screw	ABZ30P060FTC
	38 Screw	BBZ30P060FTB
	39 Screw	BPZ30P080FNI
	40 Screw	BPZ30P100FTC

9.5 CONTROL PANEL SECTION (2/2)

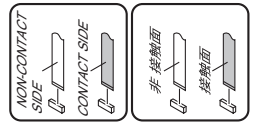
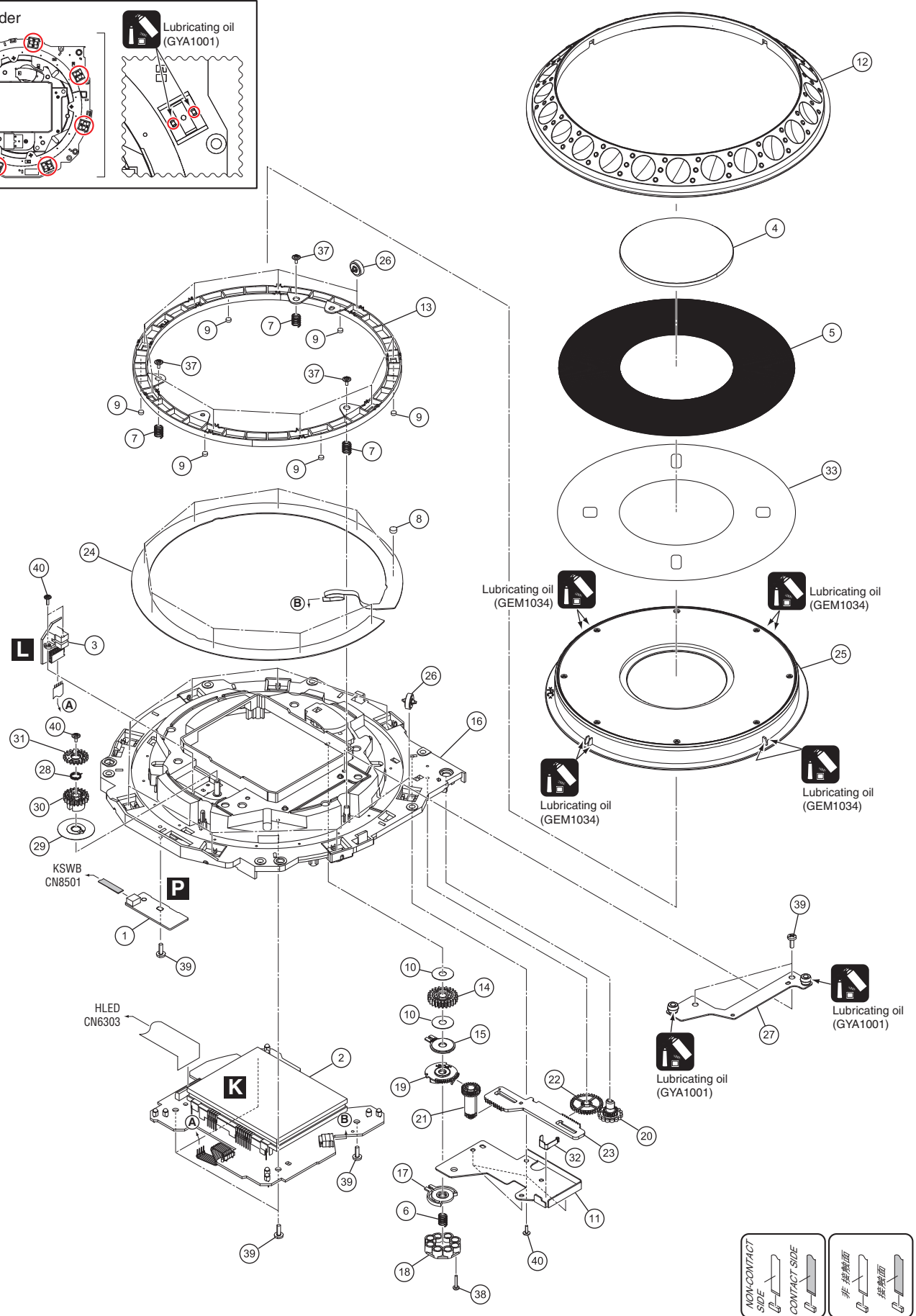
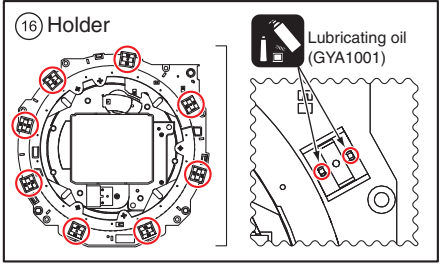
• Bottom view



CONTROL PANEL SECTION (2/2) PARTS LIST

<u>Mark No.</u>	<u>Description</u>	<u>Part No.</u>
A	1 FFC	DDD1705
	2 FFC	DDD1709
	3 Sheet/FFC	DEC3577
	4 Button (Loop)	DAC2470
	5 Button (Reloop)	DAC2471
	6 Button (4-Beat Loop)	DAC2472
	7 Button (Jog Mode)	DAC2473
	8 Button (Tempo)	DAC2474
	9 Button (Tempo Rest)	DAC2475
	10 Button (Eject)	DAC2476
B	11 Button/SLP	DAC2865
	12 Lever	DAC3097
	13 Button	DAC3129
	14 Button	DAC3130
	15 Button	DAC3134
C	16 Button/BSY	DAC2810
	17 Button	DAC3147
	18 Button	DAC3148
	19 Button	DAC3149
	20 Lever Spring	DBH1702
	21 Spring	DBH1717
	22 Brake	DEC3634
	23 SD Card Door	DNK5308
	24 Ring Rens (Play)	DNK5315
	25 TEMPO Lens	DNK5316
D	26 MODE Lens	DNK5317
	27 Lever Cap	DNK5344
	28 Lens/EUP	DNK6040
	29 Base	DNK6470
	30 Lens	DNK6491
	31 Lens	DNK6492
	32 Lens	DNK6493
	33 Control Panel	DNK6589
	34 Holder	DNK6496
	35 Door	DNK6497
E	36 Holder	DNK6498
	37 Button	DXB2170
	38 Rivet (Plastic)	RBM-003
	39 ●●●●●	
	40 ●●●●●	
41 Screw	BPZ30P080FNI	

9.6 JOG DIAL SECTION



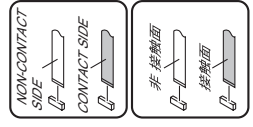
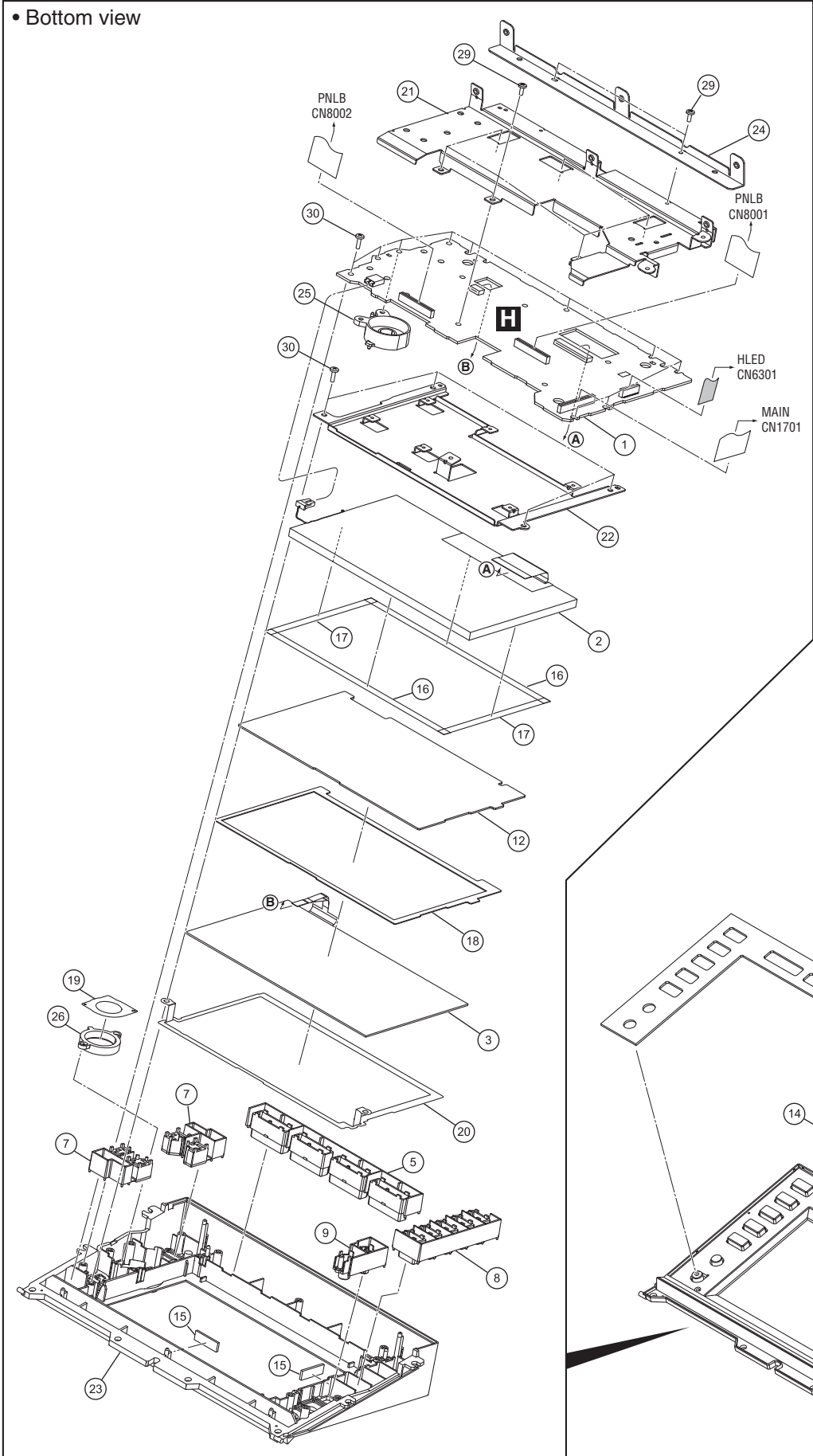
JOG DIAL SECTION PARTS LIST

<u>Mark No.</u>	<u>Description</u>	<u>Part No.</u>
A	1 INDB Assy	DWX3699
	2 JFLB Assy	DWX3708
	3 JOGB Assy	DWX3709
	4 Jog Panel	DAH2609
	5 Plate	DAH3048
B	6 Coil Spring/LD	DBH1798
	7 SW Spring	DBH1681
	8 SW Cushion HH48/2	DEC2538
	9 Cushion/RNG	DEC3466
	10 Washer	DEC3137
C	11 Link Plate	DNH2848
	12 Jog B	DNK4068
	13 SW Ring	DNK5233
	14 Gear/LD	DNK6145
	15 Smoother	DNK5237
D	16 Holder	DNK6556
	17 Comp Plate	DNK5243
	18 Adjust Plate	DNK5300
	19 Cam Plate	DNK5301
	20 Dial Gear	DNK5302
E	21 Link Gear A	DNK5303
	22 Link Gear B	DNK5304
	23 Rack Plate	DNK5305
	24 Sheet SW	DSX1078
	25 Jog Dial A Assy	DXA2159
F	26 Roller	DXB2178
	27 Stay Assy/JOG	DXB2133
	28 Encoder Spring	DBH1710
	29 Plate	DEC3700
	30 Gear/A	DNK6143
G	31 Gear/B	DNK6144
	32 Leaf Spring/ADJ	DBK1376
	33 DS Tape/JOG	DEH1047
	34 •••••	
	35 •••••	
H	36 •••••	
	37 Screw (FE)	DBA1265
	38 Screw	BPZ20P100FTC
	39 Screw	BPZ30P080FNI
I	40 Screw	IPZ20P060FTC

5 6 7 8

9.7 DISPLAY SECTION

• Bottom view



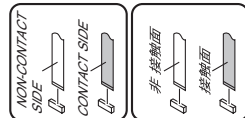
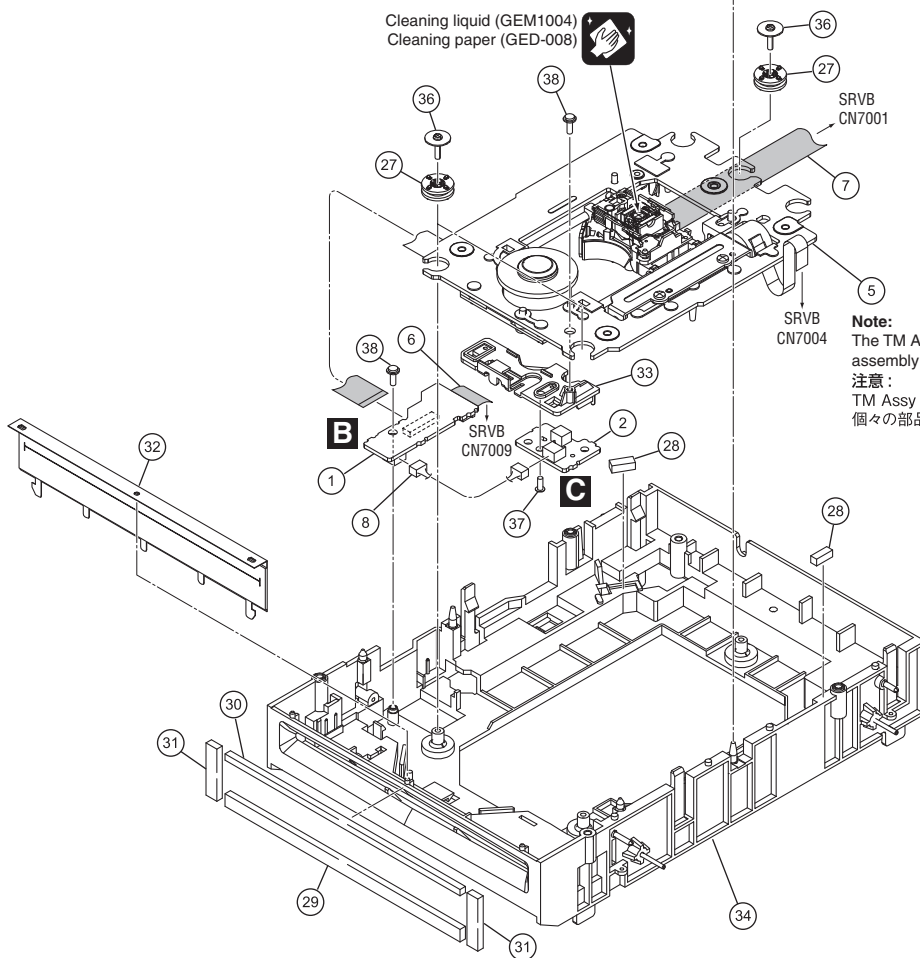
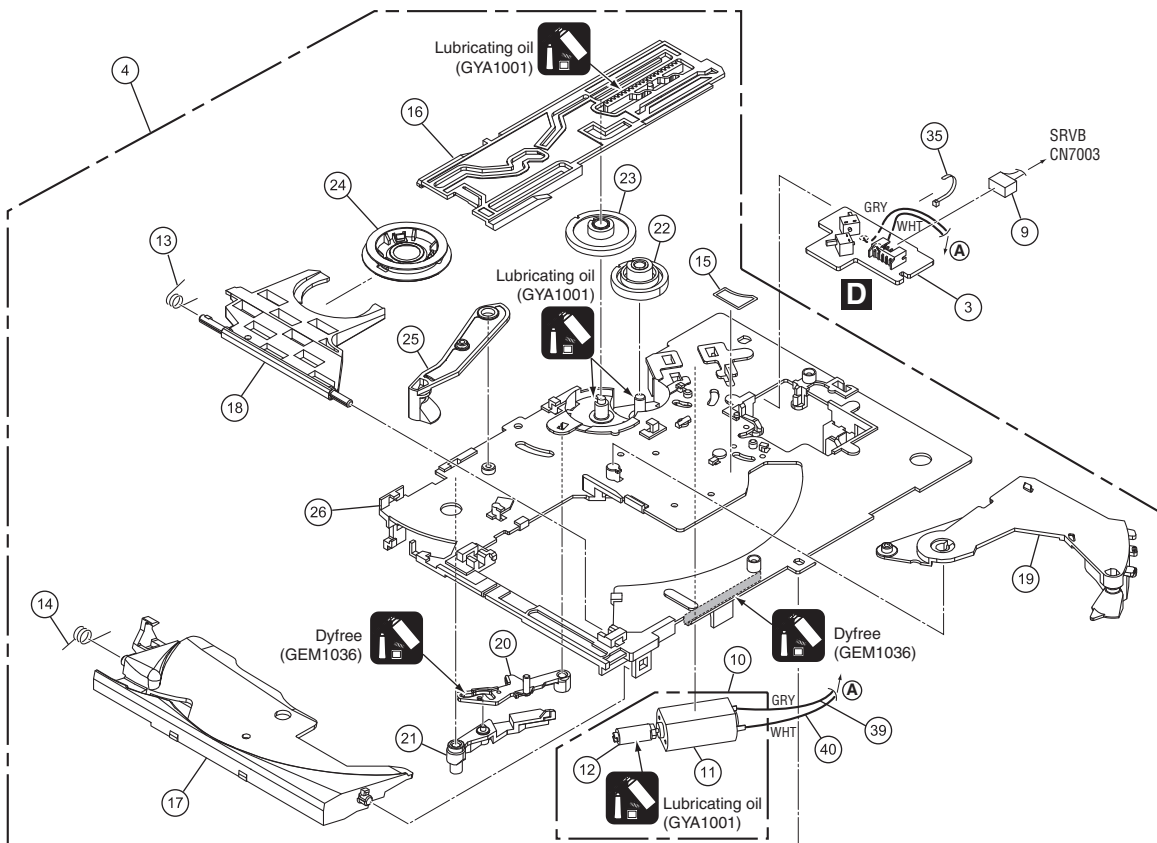
A
B
C
D
E
F

DISPLAY SECTION PARTS LIST

<u>Mark No.</u>	<u>Description</u>	<u>Part No.</u>
A	1 LCDB Assy	DWX3693
	2 TFT LCD	CWX4352
	3 Touch Panel	DSX1130
	4 Knob	DAA1365
	5 Button/MOD	DAC2807
	6 Button	DAC3113
	7 Button	DAC3114
	8 Button	DAC3115
	9 Button	DAC3116
	10 Button	DAC3117
B	11 Button	DAC3118
	12 Panel/TCP	DAH3006
	13 Panel	DAH3108
	14 Panel	DAH3044
	15 Packing/LCD	DEC3565
	16 Packing/L	DEC3568
	17 Packing/S	DEC3569
	18 Spacer/LCD	DEC3571
	19 Light-D Sheet	DEC3613
C	20 Plate/GND	DNH3173
	21 Shield Case	DNH3220
	22 Stay	DNH3221
	23 Control Panel	DNK6628
	24 Shield Plate	DNH3252
	25 Holder	DNK6467
	26 Lens	DNK6468
	27 ●●●●●	
	28 ●●●●●	
D	29 Screw	BBZ26P060FTB
	30 Screw	BPZ26P080FTC



9.8 SLOT IN MECHA SECTION



SLOT IN MECHA SECTION PARTS LIST

<u>Mark No.</u>	<u>Description</u>	<u>Part No.</u>
A	1 SPCN Assy	DWX3698
	2 INSW Assy	DWX3697
	3 SLMB Assy	DWX3707
NSP	4 SLOTIN MECHA G11 Assy	DXA2163
	5 TM Assy 09SD-S	DXX2697
	6 FFC	DDD1704
	7 FFC	DDD1713
	8 Connector Assy 2P	DKP3769
	9 Connector Assy	PF05PP-C25
	10 DC Motor Assy-S	DXX2510
B	NSP 11 DC Motor S	DXM1230
NSP	12 Worm Gear	DNK3910
	13 Clamp Spring	DBH1374
	14 Guide Spring	DBH1375
	15 SW. Lever Spacer (PET)	DEC2420
	16 Main Cam	DNK3407
	17 Disc Guide	DNK3478
	18 Clamp Arm	DNK3576
	19 Eject Lever	DNK3684
C	20 Lever AP	DNK3835
	21 Lever BP	DNK3836
	22 Loading Gear	DNK3911
	23 Drive Gear	DNK3912
	24 Clamper Assy	DXA2043
	25 Loading Lever Assy	DXB1880
	26 Loading Base Assy-S	DEA1022
	27 Float Rubber D3	DEB1404
	28 Spacer POR (T3)	DEB1566
D	29 Vessel Cushion A	DEC2852
	30 Vessel Cushion B	DEC2853
	31 Vessel Cushion C	DEC2854
	32 Front Sheet	DED1132
	33 Inside SW Base	DNK4236
	34 Float Base G11 Assy	DXB1793
	35 Binder	ZCA-SKB90BK
	36 Float Fastener	DBA1286
	37 Screw	VBA1062
E	38 Screw	IPZ20P060FTC
NSP	39 Lead Wire (JP1901)	ZWNN1007G28-8-07A
NSP	40 Lead Wire (JP1902)	ZWNN1007G28-9-07A

12. PCB PARTS LIST

NOTES: ● Parts marked by "NSP" are generally unavailable because they are not in our Master Spare Parts List.

● The Δ mark found on some component parts indicates the importance of the safety factor of the part. Therefore, when replacing, be sure to use parts of identical designation.

● When ordering resistors, first convert resistance values into code form as shown in the following examples.

Ex.1 When there are 2 effective digits (any digit apart from 0), such as 560 ohm and 47 k ohm (tolerance is shown by J = 5%, and K = 10%).

560 Ω \rightarrow 56 $\times 10^1$ \rightarrow 561 RD1/APU $\boxed{5}$ $\boxed{6}$ $\boxed{7}$ J

47 k Ω \rightarrow 47 $\times 10^3$ \rightarrow 473 RD1/APU $\boxed{4}$ $\boxed{7}$ $\boxed{3}$ J

0.5 Ω \rightarrow R50 RN2H \boxed{R} $\boxed{5}$ $\boxed{0}$ K

1 Ω \rightarrow 1R0 RSIP $\boxed{1}$ \boxed{R} $\boxed{0}$ K

Ex.2 When there are 3 effective digits (such as in high precision metal film resistors).

5.62 k Ω \rightarrow 562 $\times 10^1$ \rightarrow 5621 RN1/4PC $\boxed{5}$ $\boxed{6}$ $\boxed{2}$ $\boxed{1}$ F

Mark No. Description Part No.

Mark No. Description Part No.

LIST OF ASSEMBLIES

	1..MAIN ASSY	DWX3859
NSP	1..LCDA ASSY	DWM2569
	2..LCDB ASSY	DWX3693
	2..SDCB ASSY	DWX3694
	2..USBA ASSY	DWX3695
NSP	1..SRVA ASSY	DWM2570
	2..SRVB ASSY	DWX3696
	2..INSW ASSY	DWX3697
	2..SPCN ASSY	DWX3698
	2..INDB ASSY	DWX3699
NSP	1..PNLA ASSY	DWM2571
	2..PNLB ASSY	DWX3702
	2..KSWB ASSY	DWX3703
	2..EUPB ASSY	DWX3704
	2..SLMB ASSY	DWX3707
	2..JFLB ASSY	DWX3708
	2..JQGB ASSY	DWX3709
	1..SLDB ASSY	DWX3705
D	1..HLED ASSY	DWX3700
	1..ILMB ASSY	DWX3858
Δ	1..SW POWER SUPPLY ASSY	DWR1554
NSP	1..SLOTIN MECHA G11 ASSY	DXA2163
	2..TM ASSY 09SD-S	DXX2697
NSP	1..LCD FULL MODULE	DWX3918

Q	7001,7002	2SA1036K
Q	7003,7004	LTC014YEB
Q	7005	UM5K1N
D	7001,7002	D1F60-5053

MISCELLANEOUS

L	7027,7028,7031-7038	INDUCTOR	CTF1379
L	7303	CHOKE COIL	CTH1394
KN	7001-7003	WRAPPING TERMINAL	CKF1089
X	7001	CERAMIC RESONATOR	DSS1157
CN	7001	24P FFC CONNECTOR	DKN1445
CN	7002	CONNECTOR	AKM1292
CN	7003	CONNECTOR	AKM1291
CN	7004	4P CONNECTOR	DKN1288
CN	7005	40P CONNECTOR	VKN1818
CN	7009	CONNECTOR	DKN1313
P	7001	PROTECTOR(2.000 A)	DEK1126

RESISTORS

R	7001,7110	RS1/10SR4701F
R	7003,7006,7009	DCN1143
R	7007	RS1/4SA120J
R	7008	RS1/4SA220J
R	7014,7015	RS1/4SA2R0J
R	7017,7109	RS1/10SR2702F
R	7018,7024,7025,7099	RS1/10SR1502F
R	7020,7117,7118	RS1/10SR1202F
R	7021	RS1/10SR3302F
R	7042,7043,7063-7066	RAB4CQ101J
R	7057	RAB4CQ103J
R	7112,7334	RS1/10SR1002F
R	7333	RS1/10SR4702F
	Other Resistors	RS1/10SR###J

CAPACITORS

C	7001,7002,7081	CKSRYB472K50
C	7008,7014,7016,7021	CKSRYB104K16
C	7010,7024,7070,7098	CKSRYB103K50
C	7011,7012,7034,7061	CCSRCH101J50
C	7013	CKSRYB224K16
C	7017	CCSRCH470J50
C	7018,7019	CKSRYB474K10
C	7020,7022	CEHVAW470M6R3
C	7023,7025-7030,7040	CKSRYB104K16
C	7031,7050,7121,7126	CCH1565
C	7036,7037,7076,7078	CKSRYB182K50
C	7038,7053,7079,7087	CKSRYB102K50

A SRVB ASSY

SEMICONDUCTORS

	IC 7001	BD7956FS
	IC 7002	AN22022A
Δ	IC 7003	NJM2846DL3-33
	IC 7004	DYW1867*
	*Part number of the initial firmware equipped	
Δ	IC 7005	S-1155B15-U5
F	IC 7006	MN103S71F
	IC 7009	S-80942CNMC-G9C
Δ	IC 7010	NJM2845DL1-05
Δ	IC 7305	BD9328EFJ

Mark No.	Description	Part No.	Mark No.	Description	Part No.
C 7039,7056		CCSRCH151J50		IC 8	TC7SH00FUS1
C 7041		CKSRYPB561K50	NSP	IC 10	R8A77240D500BG2
C 7042,7090		CKSRYPB273K25		IC 11,1807	PST8430N
C 7043,7104		CKSRYPB473K50	NSP	IC 12	DYW1929
C 7044,7055,7110		CEHVV470M16		IC 14	H337S3959
C 7045-7048,7051,7052		CKSRYPB104K16		IC 15,605	TC7SH08FUS1
C 7049		CKSRYPB183K50		IC 301	TMS320C6655CZH
C 7054,7057,7058,7060		CKSRYPB104K16		IC 501,502	W631GG6KB-12
C 7059		CEHVV470M6R3		IC 602,1801	RTL8152B-VB-CG
C 7062,7089,7108		CCSRCH101J50		IC 603	USB2512B-AEZG-TR
C 7063-7068,7071,7072		CKSRYPB104K16	⚠	IC 606,1502,1503	BD9328EFJ
C 7069,7075,7085,7096		CKSRYPB105K10	⚠	IC 607	TPS2557DRB
C 7073,7074		CKSRYPB471K50		IC 801	ES9018S
C 7077		CKSRYPB222K50		IC 802-805	LME49720MAX
C 7080,7082,7084,7086		CKSRYPB104K16	⚠	IC 810,811,1003,1008	NJM2872BF33
C 7083		CKSRYPB122K50		IC 901	NLV74VHCU04DIT
C 7088,7092,7097		CKSRYPB102K50	⚠	IC 1002	MM3571A12P
C 7091,7094,7095		CKSRYPB104K16	⚠	IC 1004	NJW1933F1
C 7099-7102,7109,7114		CKSRYPB104K16	⚠	IC 1005	NJM78M09DL1A
C 7103		CKSRYPB333K50	⚠	IC 1006	NJM79M09DL1A
C 7111-7113,7115		CKSRYPB102K50	⚠	IC 1007	NJM2872BF05
C 7116-7120,7122-7125		CCSRCH101J50	⚠	IC 1009	NJM7805DL1A
C 7127,7128,7133,7142		CKSRYPB104K16	⚠	IC 1101	TPS65262RHB
C 7129-7131,7134-7137		CCSRCH101J50	⚠	IC 1102	LM10011SD
C 7132,7345		CCH1565	⚠	IC 1103	TPS51200DRC
C 7139-7141		CCSRCH221J50		IC 1201	XC3S50A-4FTG256C
C 7143,7343,7347,7373		CKSRYPB104K16		IC 1202	TC7WZ74FK
C 7334,7335,7342		ACG1142		IC 1204	TC74LCX157FK
C 7336		CCSRCH102J50		IC 1205	TC74VHC4052AFK
C 7338,7339		CKSRYPB103K50		IC 1214	TC7SZ08FUS1
C 7341		CKSRYPB223K50		IC 1216	SN74AVC2T45DCU
C 7374		CKSRYPB104K16	⚠	IC 1501	MM3529A18P
				IC 1802	RTL8304E-CG
B SPCN ASSY				IC 1804	LAN8720A-CP
				IC 1805	TC74VHC4066AFK
			⚠	IC 1808	MM1856A33N
MISCELLANEOUS				Q 1	RTQ045N03
CN6101 CONNECTOR	DKN1313			Q 2,4,817,953	LTC024EEB
CN6102 CONNECTOR	DKN1312				
CN6103 CONNECTOR	VKN1940			Q 3	EM6K7
				Q 5,952,1502,1503	LTA024EEB
				Q 602,1201	LTC023JEB
				Q 603	RN1903
				Q 604,951,1102,1104	LSCR523UB
				Q 809,810	2SK3320
				Q 811,812,819,821	HN1C01FU
				Q 813-816	INC2002AC1
				Q 1002	2SD1898
				Q 1101,1804	LTA023JEB
				Q 1103,1106	LSAR523UB
				Q 1105,1401,1501,1505	LSCR523UB
				Q 1506,1808	RTQ040P02
				Q 1507,1509,1802,1803	LTC024EEB
				Q 1508,1809	LTA024EEB
				Q 1801	2SB1188
				D 1-3,803,804	DA2J101
				D 601	DZ2J051M0
				D 604-606	DZ2J056M0
				D 801,802	DZ2J062M0
				D 952,954,1001,1003	DA2J101
C INSW ASSY					
MISCELLANEOUS					
S 6001 SPRING SWITCH	CSN1031				
CN6101 CONNECTOR	DKN1313				
D SLMB ASSY					
MISCELLANEOUS					
S 9001,9002 PUSH SWITCH	DSG1017				
CN9001 L-PLUG(5P)	KM200NA5L				
E MAIN ASSY					
SEMICONDUCTORS					
IC 1,2	W971GG6SB-25				
IC 7,9,1206	TC7WHU04FK				

Mark	No.	Description	Part No.
A	D 953		DB2J41100
	D 1002		RB162M-40
	D 1005,1006,1009,1012		DA2J101
	D 1007,1008		RB501VM-40
	D 1014,1017,1101,1502		DA2J101
	D 1501		DZ2J082M0
	D 1801		RR264M-400
	D 1806		DA2J101

Mark	No.	Description	Part No.
R	109,111,114,119		RAB4CQ220J
R	116,117		RS1/16SS5601F
R	133,1264-1271		RAB4CQ220J
R	136,165,166,170		RAB4CQ330J
R	333,335-346		RAB4CQ0R0J
R	363,364,602,1814		RS1/16SS91R0F
R	503,504,1509		RS1/10SR102J
R	505,508		RS1/16SS2400F
R	517-540,542		RS1/16SS39R0D
R	541		RS1/16SS4701F

MISCELLANEOUS

L	1,2,1802,1803	INDUCTOR	CTF1394
L	601,620,1801	COIL	ATH7015
L	602-619	FERRITE BEAD	CTF1528
L	626,1502	INDUCTOR	CTH1253
B	L 627-633,1704	FERRITE BEAD	CTF1528
L	1001	POWER INDUCTOR	ATH7053
L	1002,1003	CHIP SOLID INDUCTOR	XTL3010
L	1101	POWER INDUCTOR(22U)	DTL1100
L	1102	CHOKE COIL	CTH1477
L	1103	INDUCTOR	CTH1619
L	1503	INDUCTOR	CTH1255
L	1705	FERRITE BEAD	CTF1528
L	1805,1807	CHOKE COIL	DTH1216
F	2,3,6,602	EMI FILTER	CCG1352
F	307,308	SMD EMI FILTER	CCG1308

R	601,1813		RS1/16SS2401D
R	625,1001,1028		RS1/16SS1202D
R	664-667		RAB4CQ101J
R	668,804,843,895		RS1/10SR0R0J
R	738,911		RS1/10SR104J
R	739		RS1/10SR223J
R	740		RS1/10SR4702D
R	741		RS1/10SR1100D
R	743		RS1/10SR1002D
R	745,1528		RS1/10SR220J
R	746		RS1/10SR393J
R	748,750		RS1/16SS2202F
R	749,905		RS1/10SR331J
R	751		RS1/10SR472J
R	766,1000		RS1/10SR221J

C	F 603,1801,1802,1804	EMI FILTER	CCG1352
F	1803	EMI FILTER	DTL1106
JA	801	PIN JACK(1P)	VKB1144
JA	802	PIN JACK(1P)	VKB1143
JA	901	PIN JACK(1P)	VKB1240
JA	1801	LAN JACK	DKN1662
KN	501,502	WRAPPING TERMINAL	CKF1092
KN	1501-1505	WRAPPING TERMINAL	CKF1089
KN	1506,1507,1509	SCREW PLATE	VNE1948
KN	1508	WRAPPING TERMINAL	CKF1089

R	801,803,832,849		RN1/16SE3301D
R	802,949		RN1/16SE1500D
R	807,817,851,855		RN1/16SE3300D
R	816,824,854,861		RN1/16SE1800D
R	820,825,858,863		RN1/16SE8200D
R	821,823,828,829		RN1/16SE1201D
R	826,833,847,882		RN1/16SE1000D
R	827,836,853,892		RN1/16SE1501D
R	846,856,859,865		RN1/16SE1201D
R	867,883		RN1/16SE3301D

D	S 801	PUSH SW	ASG1102
T	901	TRANSFORMER	DTL1225
T	1801,1802	TRANSFORMER	DTX1010
X	1	RESONATOR	CSS1760
X	2	CRYSTAL RESONATOR	CSS1825
X	603	RESONATOR	CSS1773
X	605,1803,1804	CRYSTAL(25MHZ)	DSS1205
X	1201	CRYSTAL OSCILLATOR	DSS1216
X	1202	CRYSTAL OSCILLATOR	DSS1215
X	1203	CRYSTAL OSCILLATOR	ASS7102

R	872,873		RS1/10SR473J
R	874-876,878		RS1/10SR271J
R	885,951		RN1/16SE5601D
R	891		RS1/4SA0R0J
R	896,930,932,937		RS1/10SR0R0J
R	909		RS1/10SR101J
R	938,956,958,1018		RS1/10SR0R0J
R	953		RS1/4SA332J
R	1002		RS1/16SS2701D
R	1029,1039,1040,1042		RS1/10SR0R0J

E	X 1802	CRYSTAL OSCILLATOR	DSS1209
CN	601	CONNECTOR	AKM1291
CN	602	40P CONNECTOR	VKN1818
CN	603	CONNECTOR	AKM1278
CN	604	CONNECTOR	CKS6095
CN	1501	CONNECTOR	DKN1661
CN	1502	CONNECTOR	AKM1292
CN	1701	CONNECTOR	CKS6025
CN	1802	CONNECTOR	AKM1283

R	1047-1051,1119,1123		RS1/10SR0R0J
R	1107,1115,1130		RS1/16SS1502D
R	1112		RS1/16SS1203D
R	1113,1118,1129,1513		RS1/16SS1002D
R	1114		RS1/16SS6802D
R	1116		RS1/16SS1803D
R	1117		RS1/16SS2002D
R	1125,1202,1203,1207		RS1/10SR0R0J
R	1131		RS1/16SS4701D
R	1132		RS1/16SS5601D

RESISTORS

F	R 3,20		RS1/16SS82R0F
R	33,809,819,890		RS1/4SA0R0J
R	41,81-88		RAB4CQ220J
R	99-103,105,107		RAB4CQ220J
R	104		RS1/16SS4300D

R	1153		RS1/16SS1001D
R	1208,1210,1213,1229		RS1/10SR0R0J
R	1313,1725,1908		RS1/10SR0R0J
R	1511		RS1/16SS3301F
R	1512		RS1/16SS5600F

Mark	No.	Description	Part No.	Mark	No.	Description	Part No.
				C	358,360,362		CKSSYB561K50
				C	363,377,379		CKSSYB103K16
R	1514		RS1/10SR333J				
R	1523		RS1/16SS2702F				
R	1525		RS1/16SS1002F	C	364-372,374,376		CKSSYB561K50
R	1826-1829,1885-1888		RS1/16SS49R9F	C	375,392-396		CKSSYB104K16
R	1833,1834		RS1/16SS3901F	C	378,380,382		CKSSYB561K50
				C	384-387,406-409		CKSSYB561K50
R	1902		RS1/16SS1002D	C	391		CCG1218
R	1903		RS1/16SS1501F				
R	1904-1907		RS1/10SR49R9F	C	397-401,411,418		CKSSYB103K16
R	1909,1910,1918,1919		RS1/10SR750J	C	402-405,433,434		CKSSYB102K50
Other Resistors			RS1/16SS###J	C	410,450,1863		CCG1212
				C	412		CKSSYB333K16
				C	415-417,429,430		CKSSYB104K16
CAPACITORS							
C	1,2,5,10		CKSSYB104K10				
C	3,6,7,14		CKSSYB102K50	C	419,421,431,432		CKSSYB103K16
C	4,8,9		CKSSYB103K16	C	420,422-424,435		CKSSYB561K50
C	11-13,30,36		CKSSYB103K16	C	436,447,448,459		CKSSYB561K50
C	15,18,20,22		CKSSYB104K10	C	441,442,455,456		CKSSYB104K16
				C	443,444,457,458		CKSSYB103K16
C	16,17,19,21		CKSSYB102K50				
C	23,80,83,94		DCH1201	C	445,446,1118		CKSSYB102K50
C	24,31,34,37		CKSSYB102K50	C	449		CCG1232
C	25-29,32,33		CKSSYB104K10	C	460		CKSSYB561K50
C	35,38,40-42		CKSSYB104K10	C	461-464,508		CKSSYB104K10
				C	501,502,504-507		CKSSYB104K16
C	39,46,51,55		CKSSYB102K50				
C	43,49,52,54		CKSSYB103K16	C	503,509,1121,1139		DCH1256
C	44,45,47,48		CKSSYB104K10	C	510,511,529-538		CKSSYB104K16
C	50,53,56-62		CKSSYB104K10	C	512,513,519-521		CKSSYB103K16
C	63,71,72,144		CKSSYB102K50	C	516-518,522-524		CKSSYB104K10
				C	525-527,641,642		CKSSYB103K16
C	64-69,74-79		CKSSYB104K10				
C	70,73,143,147		CKSSYB103K16	C	528,602-606,608		CKSSYB104K10
C	84,86,93,95		CKSSYB104K10	C	607,610,613,669		CKSSYB105K6R3
C	85,87-92		CCSSCH102J50	C	611,612,616,617		CKSSYB104K10
C	96,106,110-114		DCH1201	C	620		CKSRB225K6R3
				C	646,806,807,820		CCSRCH102J50
C	97,98,687,688		CCSSCH100D50				
C	99		CCSSCH6R0D50	C	648,649,887,894		CKSRB104K50
C	100,101,103-105		CKSSYB104K10	C	650,1530,1531,1533		CKSRB103K50
C	107,684,1108,1116		CKSRB105K10	C	651,1030,1031,1106		ACG1142
C	108,657		CEHVAW101M6R3	C	653,689,1853,1874		CKSRB104K16
				C	655,906,1001,1023		CCH1565
C	115,124-126,133		CKSSYB104K10				
C	117		CKSSYB682K25	C	658,664-668		CKSSYB104K10
C	118-123,127-129		CCSSCH102J50	C	659,661,674,691		DCH1201
C	130,140,601,656		DCH1201	C	660,663,680,681		CKSSYB103K16
C	131,132,902,1016		CCSSCH102J50	C	670-673,675,682		CKSSYB104K10
				C	676,677		CCSSCH120J50
C	134		CKSSYB222K50				
C	135-138,141,142		CKSSYB104K10	C	683,690,1140,1142		CKSSYB104K10
C	145,148-151,153		CKSSYB104K10	C	692,853,861,901		CCSSCH101J50
C	146,152,167,343		CKSSYB102K50	C	801,843,845,865		CFHXSQ103J16
C	165,166,168		CKSSYB104K10	C	802,814,844,847		CEHVAW470M16
				C	803,903,1073,1074		CKSSYB103K16
C	169		CCSSCH5R0C50				
C	301,303,390,1155		CCG1234	C	804,809,821,829		ACE7114
C	302,304,388,389		CCG1232	C	805,812,813,817		ACG7115
C	305,307,309,311		CCG1218	C	808,810,811,815		ACE7100
C	306,308,644,645		ACG1142	C	816,818,819,825		ACE7100
				C	826,830,837,840		ACE7100
C	310,312-328,330		CKSSYB104K16				
C	329,331,333,335		CKSSYB103K16	C	827,831,842,893		ACG7115
C	332,334,336,373		CKSSYB104K16	C	828,835,875,876		CCSRCH102J50
C	337-342,344,346		CKSSYB103K16	C	834,899,905,910		CCG1321
C	345,347,349,351		CKSSYB102K50	C	836,841,1597		ACE7114
				C	846,851,867,880		CFHXSQ102J16
C	348,350,352,354		CKSSYB103K16				
C	353,355,381,383		CKSSYB102K50	C	848,862,869,932		ACE7107
C	356,357,359,361		CKSSYB103K16	C	849,850,863,864		ACE7100

Mark No.	Description	Part No.
C	858,926,927,940	CEHVAW470M16
C	859,882,883,889	CCH2090
C	860,879,888,930	CCSRCH222J50
C	873,874,877,878	ACE7100
C	881,895,913,916	CCSRCH102J50
C	884,885	CFHXSQ152J50
C	892,897,915	ACE7100
C	900,1027,1066,1102	CKSRYP104K50
C	912	ACG7115
C	917-921,924,933	ACE7100
C	929,938,1063,1064	CCH2090
C	934,1041,1049,1050	ACE7100
C	937,943	CCSRCH222J50
C	951	CEVW471M16
C	952	CEVW221M16
C	1004,1005,1008,1018	CCG1321
C	1007,1017,1042,1043	CCG1318
C	1011	CKSQYB224K50
C	1014,1015,1058,1072	CKSSYB104K16
C	1020,1026,1051,1082	CCG1328
C	1024,1025	CKSRYP102K50
C	1028,1029,1048,1055	CCSSCH101J50
C	1032,1067,1528	CCSRCH102J50
C	1033,1037,1046,1047	CCSSCH102J50
C	1038,1044,1045	ACE7113
C	1052	CCG1322
C	1053,1054,1509	ACE7129
C	1056,1059,1060,1085	CCSSCH102J50
C	1061,1083,1091-1094	CCG1321
C	1065	CCG1318
C	1068,1508	ACE7100
C	1075,1076,1078-1081	CKSSYB104K16
C	1084,1244,1248,1252	CCSSCH101J50
C	1086,1088-1090,1095	CKSSYB104K16
C	1107,1119,1120	ACG1142
C	1111,1145,1148	CCSSCH220J50
C	1117,1125,1136	CKSSYB473K16
C	1122-1124,1128,1202	ACG1142
C	1134,1540,1858	CKSRYP105K10
C	1138,1154,1212,1219	CKSSYB103K16
C	1141,1144	DCH1256
C	1147	CKSSYB332K50
C	1157,1160-1163	CCG1234
C	1158,1164,1201	CKSSYB104K10
C	1159	CCSSCH820J50
C	1203-1206,1208-1210	CKSSYB104K10
C	1207,1211,1275,1808	CKSSYB105K6R3
C	1213,1215-1218	CKSSYB104K10
C	1214,1245,1249,1253	CCSSCH102J50
C	1220-1232,1234	CKSSYB104K10
C	1233,1246,1250,1254	CKSSYB103K16
C	1235,1236,1503	CKSSYB104K16
C	1237-1243,1402-1407	CKSSYB104K10
C	1255,1256,1505,1550	CCSSCH101J50
C	1257,1506,1542,1547	CCSSCH102J50
C	1258,1544-1546,1830	CKSSYB103K16
C	1274,1589-1593	CCSSCH331J50
C	1409,1411-1414,1543	CKSSYB104K10
C	1507	ACE7097

Mark No.	Description	Part No.
C	1510-1512,1518,1554	CCH1565
C	1513,1515-1517,1519	CKSRYP104K50
C	1514,1529,1541,1551	ACG1142
C	1520	CKSRYP333K50
C	1521,1522,1534,1536	DCH1201
C	1523,1538,1539	CKSRYP104K50
C	1524-1526,1549,1556	CKSSYB104K16
C	1527,1537	CCH2090
C	1558-1560	CCG1321
C	1561-1588,1704,1705	CKSSYB104K16
C	1701,1703	CCSSCH221J50
C	1706,1707,1801	CKSSYB104K10
C	1802,1818,1821,1868	DCH1201
C	1803-1807,1809,1812	CKSSYB104K10
C	1811,1813,1882,1884	CKSSYB105K6R3
C	1814-1817,1822-1829	CKSSYB104K10
C	1820	CEHVAW470M16
C	1845-1847,1855-1857	CKSSYB104K10
C	1848,1849	CCSSCH9R0D50
C	1850,1851	CCSSCH100D50
C	1852	CCG1221
C	1854	CKSSYB103K16
C	1859	CKSSYB471K50
C	1861,1862,1880,1881	CKSSYB104K10
C	1869	CKSRYP223K50
C	1870	DCH1201
C	1871	ACG1127
C	1883	CKSSYB224K6R3
C	1885	CKSSYB105K6R3

F USBA ASSY

MISCELLANEOUS

JA 5101	USB JACK	DKB1118
JA 5102	USB JACK	DKN1664
KN 5101	WRAPPING TERMINAL	CKF1089
CN 5101	CONNECTOR	AKM1293
CN 5102	CONNECTOR	AKM1291
VA 5101-5104	SMD VARISTOR	EZJZ0V80010

G SDCB ASSY

SEMICONDUCTORS

Q 5001		RN2903
D 5001,5003,5005,5007		DAP202K
D 5002,5004,5006,5008		DAN202K

MISCELLANEOUS

L 5002	FERRITE BEAD	CTF1528
F 5001	EMI FILTER	CCG1352
KN 5001	WRAPPING TERMINAL	CKF1089
CN 5001	CONNECTOR	CKS5956
CN 5002	10P CONNECTOR	VKN1414

RESISTORS

R 5016-5019		RS1/10SR0R0J
Other Resistors		RS1/16SS###J

CAPACITORS

C 5001,5005		CKSSYB104K16
C 5002		CKSSYB102K50

Mark No. Description

C 5003
C 5006,5007

Part No.

DCH1201
CKSSYB103K16

**LCDB ASSY****SEMICONDUCTORS**

	IC 4001-4003	74VHC595FT
	IC 4202,4204	BD9328EFJ
5TG2S	IC 4601,4603	M12L2561616A-
	IC 4602	DYW1953*
	*Part number of the initial firmware equipped	
NSP	IC 4604	R5S72690RW266FP
	IC 4605	TC7SZ08FUS1
	IC 4801	R1290K103A
	IC 4802	BD81A04EFV-M
	Q 4001,4002,4012	LSC4081UB
	Q 4003-4011,4016-4022	LTC023JEB
	Q 4014	2SB1188
	Q 4201,4202	LSAR523UB
	Q 4203,4401,4403,4601	LTC024EEB
	Q 4204	LSCR523UB
	Q 4402,4404	LTC023JEB
	Q 4405,4406	LTA023JEB
	Q 4801	2SAR502UB
	Q 4802	LTC024EEB
	Q 4803	LTA024EEB
	D 4001,4004-4010	SML-512MW
	D 4002,4017,4018	NHSW046A-0171
	D 4003	SMLE12BC7T
	D 4011	SML-D12U8W
	D 4012-4014	SML-512MW
	D 4019,4204-4206	DA2J101
	D 4201,4203	DZ2J056M0
	D 4202	DZ2J068M0
	D 4405-4412	DA2J101
	D 4801-4803	DB3S308F0
	D 4804	DB2J41100
	D 4805	RB060M-30

MISCELLANEOUS

L 4201,4203	INDUCTOR	CTH1255
L 4601	INDUCTOR	CTF1645
L 4802	CHOKE COIL	CTH1426
L 4804	INDUCTOR	CTF1545
L 4805	POWER INDUCTOR	ATH7068
L 4806	INDUCTOR	CTF1635
L 4807,4808	CHIP INDUCTOR(10U)	DTL1105
L 4809	CHIP BEEDS FILTER	BTX1042
L 4810	INDUCTOR	LCTAW101J2520
L 4811,4813-4830	CHIP BEADS	VTL1126
L 4812	CHIP BEADS	VTL1128
S 4001-4011,4013,4015	TACT SWITCH	DSG1134
S 4012	TACT I53SWITCH	DSG1134
S 4014	ENCODER SW	DSX1080
S 4016	TACT SWITCH	DSG1134

X 4602	CRYSTAL RESONATOR	CSS1840
CN4001	14P CONNECTOR	VKN1418
CN4002	30P CONNECTOR	VKN1434
CN4004,4005	27P CONNECTOR	VKN1431

Mark No. Description

CN 4401 FFC/FPC CONNECTOR

Part No.

CKS6625

CN 4801 CONNECTOR

CKS4428

CN 4802 FFC/FPC CONNECTOR

CKS6646

RESISTORS

R 4022,4023	RS1/10SR182J
R 4024,4025,4068,4069	RS1/4SA471J
R 4079	RS1/10SR152J
R 4203,4236	RS1/10SR220J
R 4205	RS1/10SR8200D
R 4206	RS1/10SR4702D
R 4207,4239	RS1/10SR1002D
R 4208	RS1/10SR683J
R 4210	RS1/10SR472J
R 4221-4228	RS1/4SA2R7J
R 4235	RS1/10SR104J
R 4238	RS1/10SR2702D
R 4240	RS1/10SR223J
R 4241	RS1/10SR393J
R 4401,4402,4415	RS1/8SQ0R0J
R 4601-4603,4607,4608	RAB4CQ330J
R 4604-4606,4613,4614	RAB4CQ101J
R 4620-4623,4630-4633	RAB4CQ330J
R 4626-4629	RAB4CQ101J
R 4640-4643	RAB4CQ330J
R 4644-4647	RAB4CQ680J
R 4648-4651,4681	RAB4CQ473J
R 4658-4660,4666-4668	RS1/10SR0R0J
R 4802	RS1/16SS3603D
R 4803	RS1/16SS6802D
R 4804	RS1/16SS3901D
R 4809	RS1/16SS1103D
R 4810	RS1/16SS1002D
R 4812,4815	RS1/16SS1502D
R 4814	RS1/16SS8201D
R 4817	RS1/10SR0R0J
R 4818	RS1/16SS3303D
R 4819	RS1/16SS5601D
R 4820	RS1/16SS3902D
R 4827	RS1/16SS5100F
R 4828	RS1/16SS3302D
R 4829	RS1/16SS2202D
R 4833	RS1/16SS1203D
R 4834	RS1/16SS1602D
R 4835,4849,4858	RS1/16SS39R0D
R 4837,4853	RS1/16SS47R0D
R 4841,4850	RS1/16SS75R0F
R 4847,4851	RS1/16SS1300D
R 4848	RS1/16SS51R0D
R 4852,4856	RS1/16SS82R0D
R 4854	RS1/16SS56R0D
R 4855	RS1/16SS1800D
R 4870-4873	RAB4CQ221J
R 4890	RS1/4SA0R0J
Other Resistors	RS1/16SS###J

CAPACITORS

C 4001-4004,4007,4012	CKSRYB104K16
C 4008,4010,4028,4029	CCSSCH101J50
C 4011,4027	CCSSCH331J50
C 4013,4024,4030	CKSSYB104K16

Mark	No.	Description	Part No.
	C	4020,4022,4023,4025	CKSRYP104K16
A	C	4026,4208,4244,4254	CKSRYP104K16
	C	4032	CCSSCH101J50
	C	4201-4203,4237,4240	CKSSYP104K16
	C	4204,4238,4239,4257	CKSSYP104K10
	C	4206,4207,4212,4242	ACG1142
B	C	4209,4245,4252,4660	CCSRCH102J50
	C	4210,4211,4246,4247	CKSRYP104K50
	C	4213	CKSRYP472K50
	C	4217,4253	CCH1565
	C	4234,4235,4255,4256	CCH2090
C	C	4236,4407,4412,4804	CKSSYP105K6R3
	C	4241,4662,4663,4677	CKSSYP103K16
	C	4243,4249	ACG1142
	C	4248	CKSRYP103K50
	C	4402,4403,4608,4802	CKSSYP102K50
D	C	4601-4607,4610-4617	CKSSYP104K10
	C	4609	DCH1201
	C	4618-4626,4628-4653	CKSSYP104K16
	C	4655,4657,4664-4674	CKSSYP104K16
	C	4658,4659	CCSRCH331J50
E	C	4661	CCSRCH102J50
	C	4675,4676	CCG1192
	C	4678,4679	CCSSCH120J50
	C	4680-4685,4813,4822	CKSSYP104K16
	C	4803	CKSRYP105K16
F	C	4805,4807	CKSQYB105K25
	C	4808	CKSQYB475K6R3
	C	4810,4879	CKSRYP104K50
	C	4811,4812	CKSQYB474K25
	C	4814,4888	CKSSYP105K6R3
G	C	4816	CKSSYP224K6R3
	C	4817,4845	CKSYB475K16
	C	4818,4825,4866,4882	CKSSYP102K50
	C	4819	CKSSYP561K50
	C	4820,4829	CKSSYP103K16
H	C	4821,4834	CKSSYP332K50
	C	4823,4824,4871,4883	CCG1236
	C	4826,4830,4832,4833	CCG1254
	C	4827	CKSRYP224K16
	C	4828,4851-4853,4878	CKSSYP104K10
I	C	4831	CCG1218
	C	4835-4837	CCG1254
	C	4846-4848,4876,4877	CKSSYP104K16
	C	4849,4850	CKSRYP105K10
	C	4854	DCH1246
J	C	4867	CKSQYB225K16
	C	4868	CKSSYP103K25
	C	4872	CCG1201
	C	4874	CCG1234
	C	4875	CKSQYB334K50
K	C	4885,4889,4890	CKSSYP102K50
	C	4887,4894-4896,4898	CKSSYP104K16
	C	4891,4892	CCH2090

Mark	No.	Description	Part No.
	IC	8001	DYW1868*
		*Part number of the initial firmware equipped	
	IC	8002	PST8430N
	Q	8001,8004,8018-8022	LSC4081UB
	Q	8002,8003	LTC114YUB
	Q	8005,8023,8024	LTC143EUB
	Q	8006,8025,8026	2SB1188
	Q	8007,8008,8015,8028	LTC124EUB
	Q	8027	LTA124EUB
	D	8001,8007,8008,8012	SLI-343Y8Y
	D	8004,8013	LTL17KRH5D
	D	8009	SLR343WBD2PT
	D	8010	SLR343BC4T
	D	8011	LTL17KGH5D
	D	8016,8017	SLI-343Y8Y

MISCELLANEOUS

L	8001	INDUCTOR	CTF1379
VR	8001,8002	VARIABLE RESISTOR	DCS1045
S	8001-8004	TACT SWITCH	DSG1079
S	8005	TACT SWITCH	DSG1089
S	8010-8018	SWITCH	VSG1024
X	8001	CERAMIC RESONATOR	DSS1131
CN	8001,8002,8004	27P CONNECTOR	VKN1287
CN	8003	CONNECTOR	VKN1281
JH	8001	8P CABLE HOLDER	51048-0800
JH	8002	9P CABLE HOLDER	51048-0900
JH	8003	6P CABLE HOLDER	51048-0600
JP	8001	JUMPER WIRE	D20PYY0825E
JP	8002	JUMPER WIRE	D20PDY0910E
JP	8003	WIRE	D20PDY0605E
JP	8004	JUMPER WIRE	D20PYY0405E

RESISTORS

R	8067	RS1/4SA0R0J
R	8116	RS1/8SQ105J
R	8128,8136-8138	RS1/4SA471J
Other Resistors		RS1/10SR###J

CAPACITORS

C	8007	CCSRCH121J50
C	8008,8021,8036,8039	CKSRYP104K16
C	8010,8011,8023-8026	CKSRYP103K50
C	8012-8016,8027,8030	CCSRCH102J50
C	8019,8020	CKSRYP474K10
C	8022,8081	DCH1256
C	8040,8044,8054,8056	CKSRYP104K16
C	8041,8058,8059,8061	CKSRYP103K50
C	8045	CKSRYP273K16
C	8062,8075	CKSRYP103K50
C	8063,8066,8068-8070	CKSRYP104K16
C	8082,8083	CCSRCH221J50

J HLED ASSY

SEMICONDUCTORS

Q	6301-6320	LSCR523UB
Q	6321,6322,6328	LSC4081UB
Q	6323,6326	LTC043EEB
Q	6324,6327	2SB1188
D	6301,6302,6304-6307	SMLVN6RGB2UK
D	6308-6311	SML-D12Y8W

SEMICONDUCTORS

Mark	No.	Description	Part No.
D	6312,6313		SMLE12BC7T
D	6314		SML-D12U8W
D	6316		SMLVN6RGB2UK

MISCELLANEOUS

KN	6301	WRAPPING TERMINAL	CKF1089
S	6301	SPRING SWITCH	CSN1031
S	6302,6307,6312,6313	TACT SWITCH	DSG1134
S	6303-6306	SWITCH	VSG1024
S	6308-6311	TACT SWITCH	DSG1079
CN	6301	14P CONNECTOR	VKN1418
CN	6302,6303	21P CONNECTOR	VKN1425
CN	6304	27P CONNECTOR	VKN1431
PC	6301,6302	PHOTO INTERRUPTER	GP1S094HCZ0F

RESISTORS

R	6347-6350	RS1/10SR181J
R	6356,6360,6361	RS1/4SA471J
R	6428-6430	RS1/4SA471J
R	6431-6434	RS1/10SR151J
	Other Resistors	RS1/16SS###J

CAPACITORS

C	6301-6304,6311-6314	ACG1142
C	6305-6310,6315-6326	CKSSYB103K16
C	6328,6329,6332,6333	CKSSYB104K16
C	6330,6331	ACG1142

K JFLB ASSY**SEMICONDUCTORS**

△	IC	9201	MM1856A33N
	IC	9202	TC7WH04FU
△	IC	9203	NJM2392M
Q	9201,9202	2SC4154-11	
Q	9203	LSAR523UB	
Q	9204	2SC5712	
Q	9205	LSCR523UB	
Q	9206,9207	LTC124EUB	
D	9201	DZ2J062M0	
D	9202,9205	DA2J101	
D	9203	DB2J41100	
D	9206-9209	SLR343WBD2PT	
D	9210-9213	SLI-343U3R	
D	9214	RB162M-40	

MISCELLANEOUS

L	9201	RAD SPL INDUCTOR	DTH1212
V	9201	VFD	DEL1074
CN	9201	21P CONNECTOR	VKN1252
CN	9202	CONNECTOR	CKS1072
JH	9201	4P CABLE HOLDER	51048-0400

RESISTORS

R	9201,9202	RS1/4SA102J
R	9215,9218	RS1/8SQ100J
R	9222	RS1/10SR8201D
R	9223	RS1/10SR3901D
R	9228,9230,9233,9235	RS1/4SA7R5J
R	9237,9239,9241,9243	RS1/4SA7R5J
R	9246,9248	RS1/4SA7R5J
R	9259	RS1/10SR2702D
R	9266	RS1/10SR1501D
R	9268	RS1/10SR2701D

Mark	No.	Description	Part No.
R	9269		RS1/4SA122J
	Other Resistors		RS1/10SR###J

CAPACITORS

C	9201	CEHAZL101M25
C	9202	DCH1263
C	9203,9205,9215,9242	CCG1236
C	9204,9217,9230,9231	CKSRYB104K16
C	9206,9216,9252	CKSRYB104K50
C	9207,9238	CKSRYB103K50
C	9211,9213	CKSRYB105K16
C	9221	CEHAZL221M35
C	9225-9228,9248	CCSRCH101J50
C	9232	CKSRYB105K10
C	9234,9237,9241,9260	CKSRYB104K16
C	9235,9236	CCG1218
C	9239,9247,9251	CCSRCH102J50
C	9243,9253	CCG1236
C	9249	CCSRCH151J50

L JOGB ASSY**MISCELLANEOUS**

CN	9301	4PJUMPER CONNECTOR	52151-0410
----	------	--------------------	------------

RESISTORS

	All Resistors	RS1/10SR###J
--	---------------	--------------

MISCELLANEOUS

PC	9301	PHOTO INTERRUPTER	KE-2K18-15
----	------	-------------------	------------

CAPACITORS

C	9301	CKSRYB225K6R3
C	9302	CKSRYB103K50

M SLDB ASSY**SEMICONDUCTORS**

Q	8702	2SB1188
Q	8703	LTC143EUB
Q	8704	LSC4081UB
D	8701	LTL17KGH5D

MISCELLANEOUS

VR	8701	SLIDE VR	DCV1032
VR	8702	SEMI FIXED RESISTOR	CCP1571

S	8701	SWITCH	VSG1024
CN	8701	9PJUMPER CONNECTOR	52151-0910

RESISTORS

	All Resistors	RS1/10SR###J
--	---------------	--------------

CAPACITORS

C	8702	CEJQ470M16
C	8703,8706	CKSRYB104K16

N EUPB ASSY**SEMICONDUCTORS**

Q	8652	2SB1188
Q	8653	LTC143EUB

Mark No. Description

Q 8654
D 8651
D 8652

Part No.

LSC4081UB
LTL17KRH5D
LTL17KGH5D

Mark No. Description

R 9801
R 9803,9861,9862
R 9805,9811,9817,9823
R 9806,9812,9818,9824
R 9807-9810,9813-9816

Part No.

RS1/10SR1801F
RS1/10SR1501F
RS1/10SR222J
RS1/10SR182J
RS1/4SA0R0J

MISCELLANEOUS

S 8651 SWITCH
CN8651 6P JUMPER CONNECTOR

VSG1024
52147-0610

R 9819,9820
R 9828
R 9829
R 9830
R 9834,9858

RS1/4SA0R0J
RS1/10SR1100D
RS1/10SR4702D
RS1/10SR1002D
RS1/10SR561J

RESISTORS

All Resistors

RS1/10SR###J

CAPACITORS

C 8652

CKSRYB104K16

R 9842
R 9856
R 9863-9870,9877-9879
R 9876
Other Resistors

RS1/16SS4702F
RS1/16SS1501F
RS1/10SR182J
RS1/10SR222J
RS1/16SS###J

Q KSWB ASSY**SEMICONDUCTORS**

Q 8501,8502
D 8501
D 8502

LTC114YUB
LTL17KCGP4J
SLI-343Y8Y

CAPACITORS

C 9801,9802,9822
C 9803,9805,9806,9834
C 9804
C 9807,9819,9840
C 9809,9813,9836,9839

ACG1142
CKSSYB104K16
CGSSCH102J50
CKSSYB103K16
DCH1201

MISCELLANEOUS

S 8501,8502 TACT SWITCH
CN8501 4P CONNECTOR
CN8502 8P JUMPER CONNECTOR

DSG1117
VKN1264
52147-0810

C 9811
C 9814
C 9817,9818
C 9842

CCH1565
CKSSYB104K10
CKSRYB225K6R3
CKSRYB104K16

RESISTORS

All Resistors

RS1/10SR###J

P INDB ASSY**SEMICONDUCTORS**

Q 6201
D 6201

LTC114YUB
CSL0401WBHCW1

R SW POWER SUPPLY ASSY

There is no service parts.

S LCD FULL MODULE

There is no service parts.

MISCELLANEOUS

CN6201 04P CONNECTOR

RKN1045

RESISTORS

All Resistors

RS1/10SR###J

Q ILMB ASSY**SEMICONDUCTORS**

IC 9801
IC 9804
Q 9801
Q 9802-9806
Q 9807

BD9328EFJ
TPS2557DRB
LTC023JEB
LSAR523UB
LTC024EEB

Q 9809
D 9801-9813,9820,9821
D 9814-9816
D 9818
D 9819

LSCR523UB
NHSW046A-0171
DZ2J056M0
DZ2J100M0
DZ2J051M0

MISCELLANEOUS

L 9801 INDUCTOR
JA 9801,9802 CONNECTOR
JA 9803 USB JACK
KN 9801-9806 WRAPPING TERMINAL
CN9801 CONNECTOR

CTH1253
DKN1607
DKB1118
CKF1089
AKM1301

RESISTORS