

# 9. EXPLODED VIEWS AND PARTS LIST

NOTES: ● Parts marked by "NSP" are generally unavailable because they are not in our Master Spare Parts List.

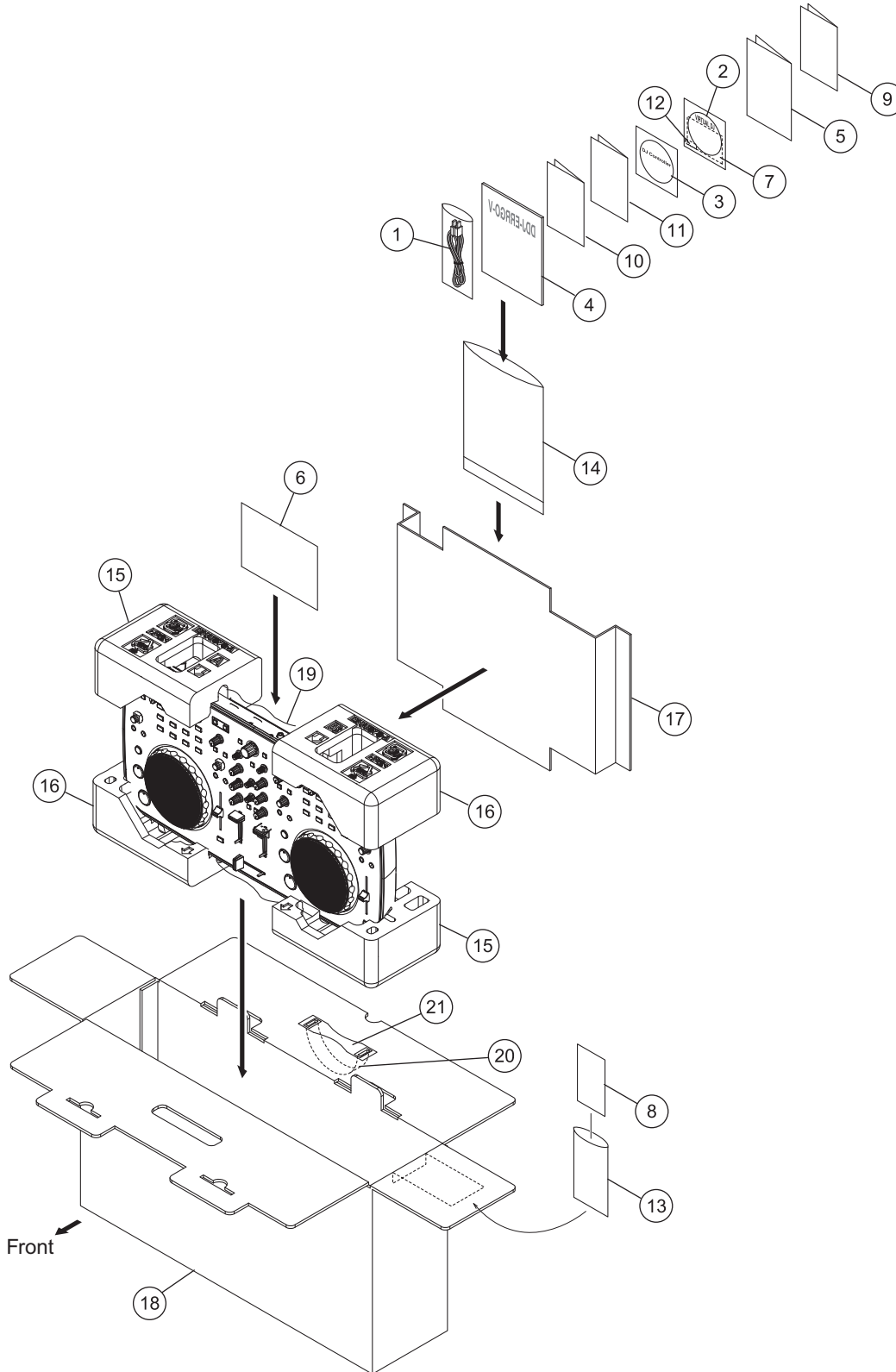
● The  $\triangle$  mark found on some component parts indicates the importance of the safety factor of the part. Therefore, when replacing, be sure to use parts of identical designation.

● Screws adjacent to  $\nabla$  mark on product are used for disassembly.

● For the applying amount of lubricants or glue, follow the instructions in this manual.

(In the case of no amount instructions, apply as you think it appropriate.)

## 9.1 PACKING SECTION



## PACKING SECTION PARTS LIST

<u>Mark No.</u>	<u>Description</u>	<u>Part No.</u>
1	USB Cable	DDE1128
2	VIRTUAL DJ LE software CD-ROM	DXX2685
3	Driver software/ operating instructions CD-ROM	DRU1001
4	Read Before Use (Important)	DRH1122
5	Quick Start Guide	DRH1123
6	Hardware Diagram for Virtual DJ (Table of Supported Functions)	DRH1124
NSP 7	License Key Label Assy	DXA2251
NSP 8	Warranty Card	DRY1259
NSP 9	Warranty Card	ARY7043
NSP 10	Warranty Card	ARY7107
NSP 11	Service network list (for Japanese customers)	ARY1127
NSP 12	Label/L K	DRW2484
NSP 13	Vinyl Bag	AHG7031
NSP 14	Polyethylene Bag	AHG7117
15	Pad/A	DHA1878
16	Pad/B	DHA1879
17	Pad/ACC	DHA1880
18	Packing Case/V	DHG3079
19	Sheet	RHX1006
20	Plastic Handle (PE)	VEC2292
21	Spacer (PE)	VEC2293

A

B

C

D

E

F

# 9.2 EXTERIOR SECTION

1

2

3

4

A

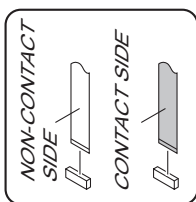
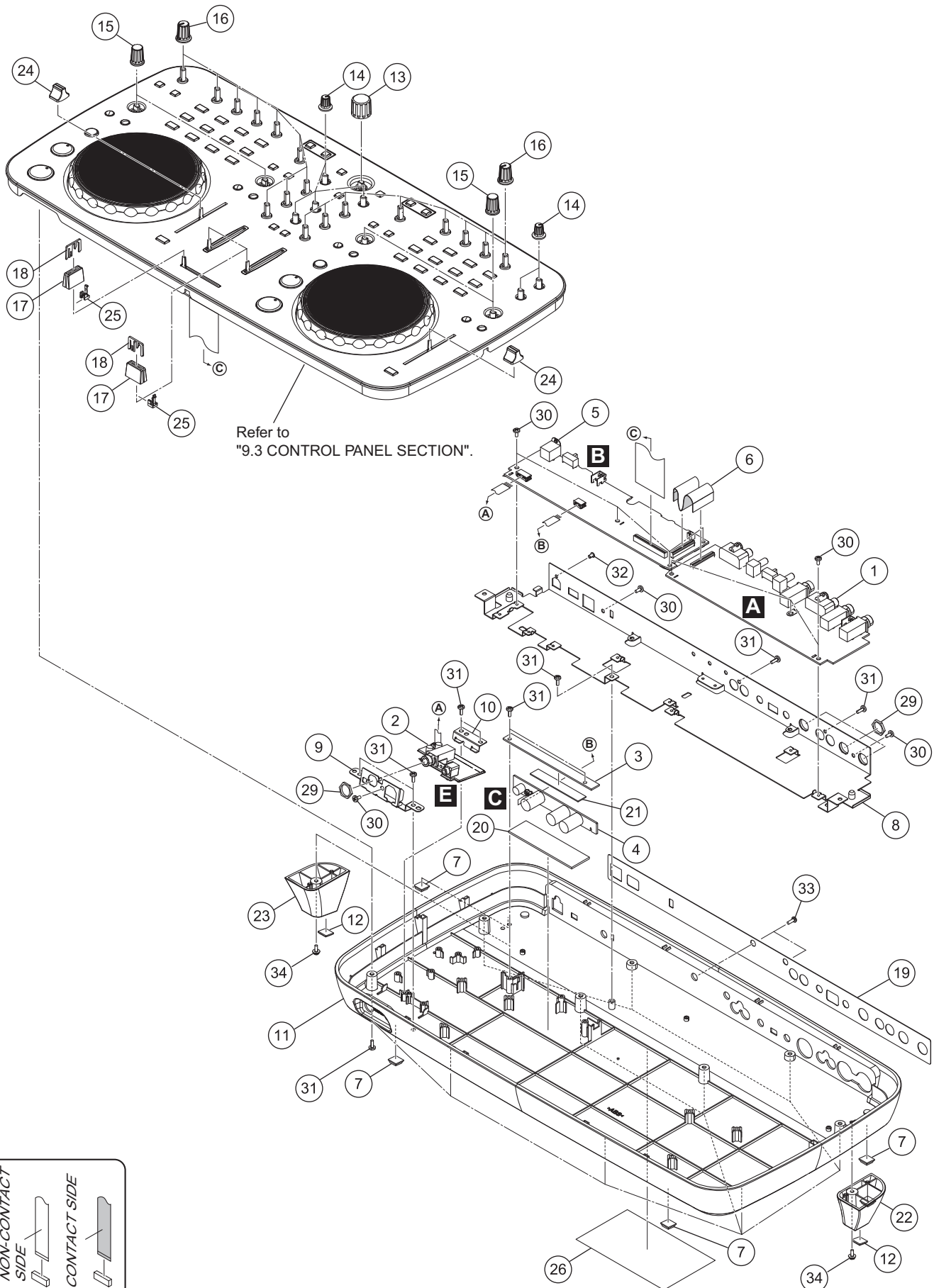
B

C

D

E

F



1

2

3

4

## EXTERIOR SECTION SECTION PARTS LIST

<u>Mark No.</u>	<u>Description</u>	<u>Part No.</u>	
1	JACK Assy	DWX3304	
2	HPJK Assy	DWX3306	A
3	HLD3 Assy	DWX3311	
4	HPLC Assy	DWX3324	
5	IFPW Assy	DWX3301	
6	FFC/27P	DDD1585	
7	Rubber Foot (H6)	DEB1996	
8	Stay/PCB	DNH3000	
9	Stay/HP	DNH3002	
10	Stopper/HP	DNH3006	
11	Chassis	DNK6005	B
12	Rubber Foot	VEB1349	
13	Dial Knob	DAA1259	
14	Rotary Knob S (Black)	DAA1262	
15	Dial Knob S (B)	DAA1273	
16	Knob/LBK	DAA1284	
17	Slider Knob 1	DAC2684	
18	Slider Knob 2	DAC2685	
19	Rear Panel/V	DAH2864	
NSP 20	Cushion/A	DEC3402	C
NSP 21	Cushion/B	DEC3403	
22	Foot/R	DNK6006	
23	Foot/L	DNK6007	
24	Knob/SLD	DNK6008	
25	Stopper/SLD	DNK6009	
NSP 26	Label/V	DRW2492	
27	•••••		
28	•••••		
29	Nut (M12)	NKX2FNI	D
30	Screw	BBZ30P060FTC	
31	Screw	BPZ30P080FNI	
32	Screw (M3x5)	DBA1340	
33	Screw	PBZ30P080FTC	
34	Screw	PMB30P080FTB	

# 9.3 CONTROL PANEL SECTION

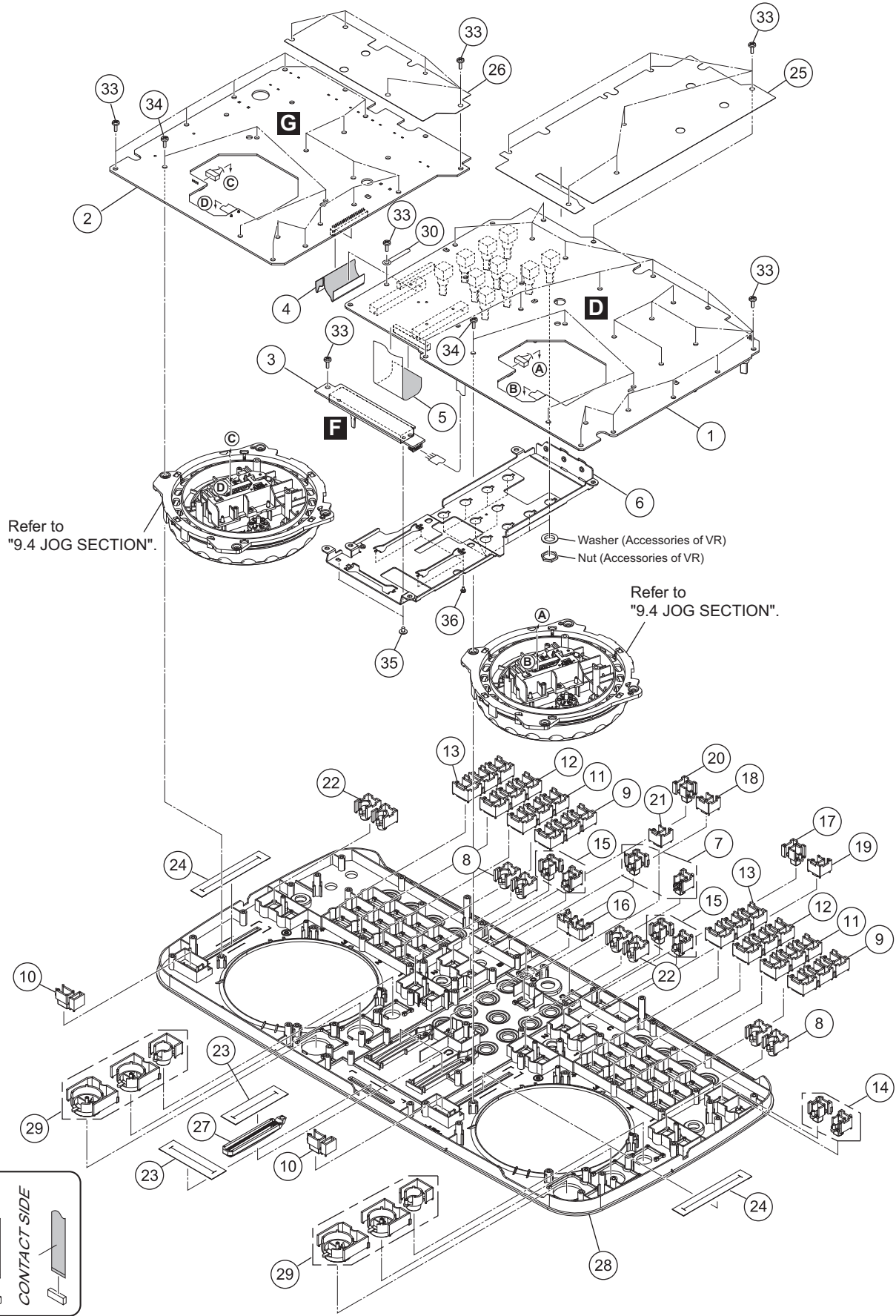
1

2

3

4

A • Bottom view



1

2

3

4

## CONTROL PANEL SECTION PARTS LIST

<u>Mark No.</u>	<u>Description</u>	<u>Part No.</u>	
1	CDJ1 Assy	DWX3302	
2	CDJ2 Assy	DWX3303	A
3	CRFD Assy	DWX3305	
4	FFC/39P	DDD1586	
5	FFC/39P	DDD1587	
6	Stay/VR	DNH3005	
7	Button S (Black)	DAC2663	
8	Button/LOP	DAC2783	
9	Button/1	DAC2785	
10	Button/SNC	DAC2791	
11	Button/2	DAC2792	B
12	Button/3	DAC2793	
13	Button/4	DAC2794	
14	Button/FNC	DAC2795	
15	Button/FX	DAC2796	
16	Button/CUE	DAC2797	
17	Button/A	DAC2798	
18	Button/B	DAC2799	
19	Button/C	DAC2800	
20	Button/D	DAC2801	C
21	Button/PRV	DAC2802	
22	Button/VNL	DAC2806	
23	Fader Packing	DEC3355	
24	Packing/TMP	DEC3392	
25	Barrier/1	DEC3393	
26	Barrier/2	DEC3394	
27	Lens/FDR	DNK5989	
28	Control Panel	DNK6000	
29	Play Button Assy	DXA2252	D
30	Cord Clamper (Steel)	RNH-184	
31	.....		
32	.....		
33	Screw	BPZ30P080FNI	
34	Screw	BPZ30P100FTB	
35	Screw	IMZ30P040FTC	
36	Screw	PMH20P040FTC	

# 9.4 JOG SECTION

1

2

3

4

A

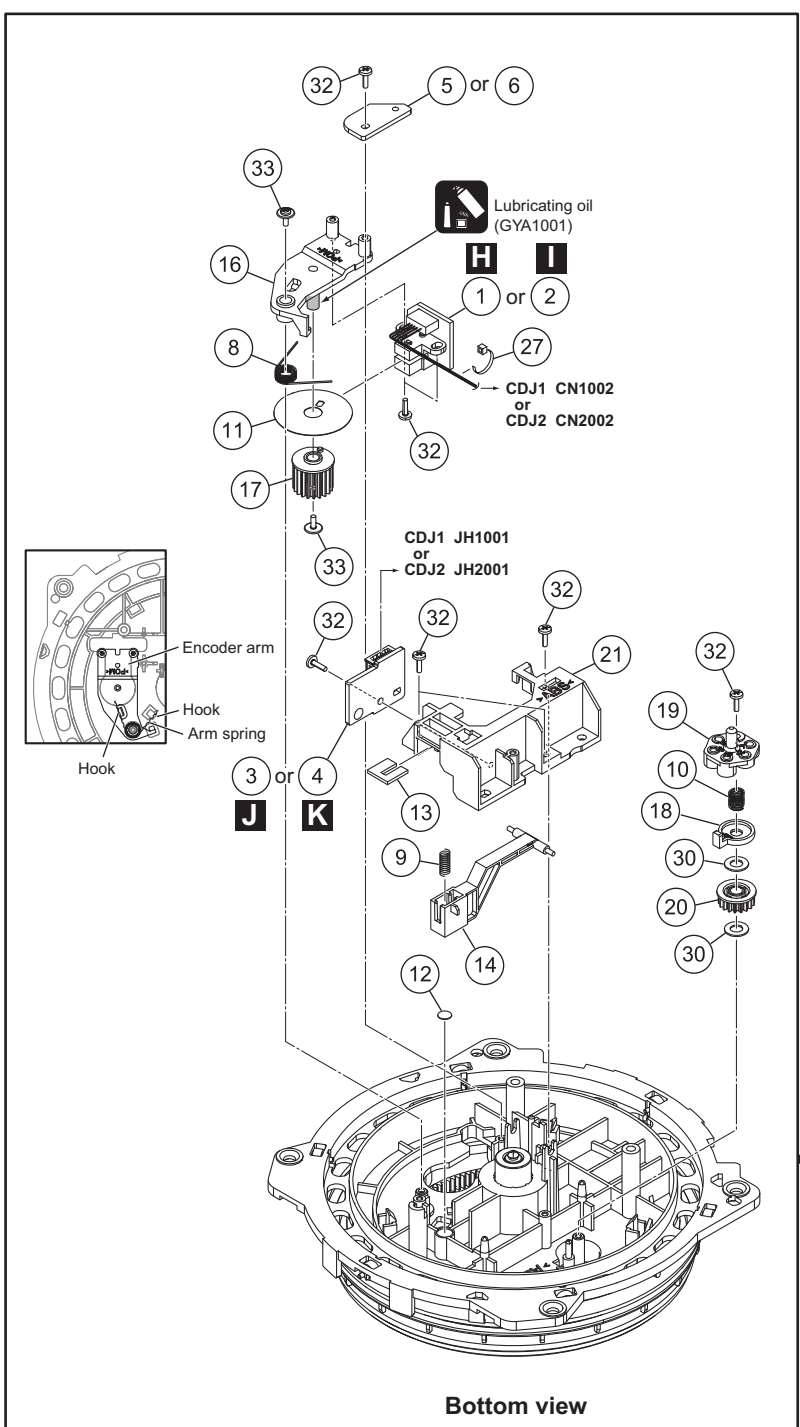
B

C

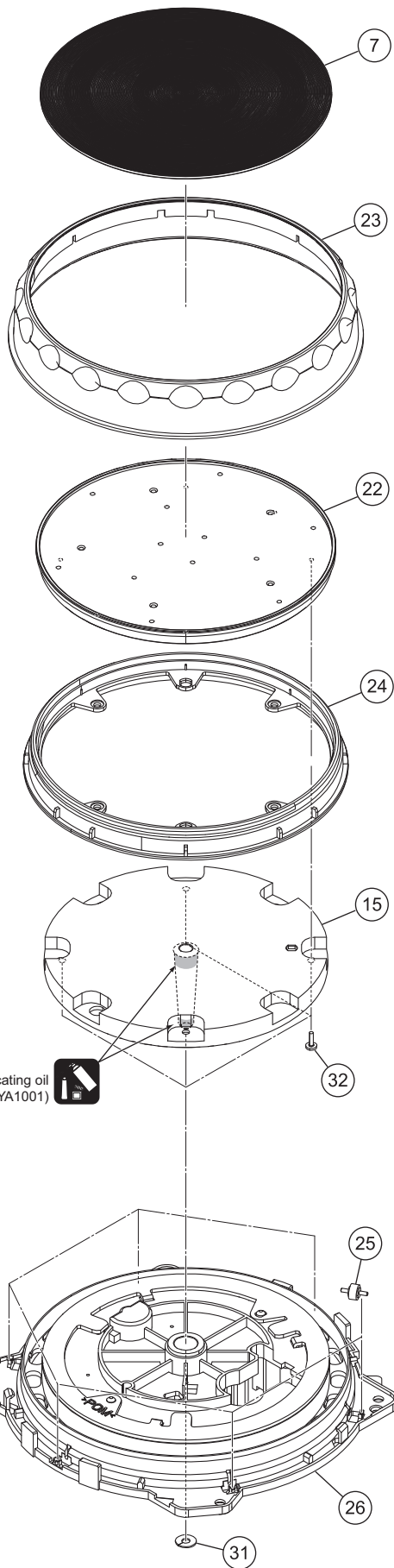
D

E

F



Bottom view



1

2

3

4

## JOG SECTION PARTS LIST

<u>Mark No.</u>	<u>Description</u>	<u>Part No.</u>	
1	JOG1 Assy	DWS1436	
2	JOG2 Assy	DWS1438	A
3	TCH1 Assy	DWS1437	
4	TCH2 Assy	DWS1439	
5	HLD1 Assy	DWX3309	
6	HLD2 Assy	DWX3310	
7	Plate/JOG	DAH2862	
8	Arm Spring	DBH1612	
9	Lever Spring	DBH1626	
10	Load Spring	DBH1676	
11	Encoder Plate	DEC2889	B
12	Lever Cushion (A)	DEC3001	
13	Lever Cushion (B)	DEC3002	
14	JOG Lever	DNK4763	
15	JOG Shaft	DNK4934	
16	Encoder Arm	DNK4936	
17	Encoder Gear	DNK4937	
18	Load Smoother	DNK4939	
19	Adjust Plate	DNK4943	
20	Load Gear	DNK5178	C
21	Lever Holder	DNK5206	
22	JOG Dial A	DNK5860	
23	Dial/JGB	DNK6013	
24	Ring Lens	DNK5945	
25	Roller B Assy	DXB1877	
26	JOG Holder Assy	DXB2002	
27	Binder	ZCA-SKB90BK	
28	•••••		
29	•••••		
30	Washer	WA41D070D025	D
31	Washer	WT32D080D050	
32	Screw	BPZ20P060FTC	
33	Screw (FE)	DBA1265	



# 12. PCB PARTS LIST

NOTES: ● Parts marked by "NSP" are generally unavailable because they are not in our Master Spare Parts List.

● The  $\Delta$  mark found on some component parts indicates the importance of the safety factor of the part. Therefore, when replacing, be sure to use parts of identical designation.

● When ordering resistors, first convert resistance values into code form as shown in the following examples.

Ex.1 When there are 2 effective digits (any digit apart from 0), such as 560 ohm and 47 k ohm (tolerance is shown by J = 5%, and K = 10%).

560  $\Omega$  → 56 × 10<sup>1</sup> → 561 ..... RD1/4PU  $\boxed{5}$   $\boxed{6}$   $\boxed{7}$  J

47 k $\Omega$  → 47 × 10<sup>3</sup> → 473 ..... RD1/4PU  $\boxed{4}$   $\boxed{7}$   $\boxed{3}$  J

0.5  $\Omega$  → R50 ..... RN2H  $\boxed{R}$   $\boxed{5}$   $\boxed{0}$  K

1  $\Omega$  → 1R0 ..... RS1P  $\boxed{7}$   $\boxed{R}$   $\boxed{0}$  K

Ex.2 When there are 3 effective digits (such as in high precision metal film resistors).

5.62 k $\Omega$  → 562 × 10<sup>1</sup> → 5621 ..... RN1/4PC  $\boxed{5}$   $\boxed{6}$   $\boxed{2}$   $\boxed{1}$  F

● Meaning of the figures and others in the parentheses in the parts list.

Example) IC 301 is on the point (face A, 91 of x-axis, and 111 of y-axis) of the corresponding PC board.

IC 301 (A, 91, 111) IC NJM2068V

Mark No.	Description	Part No.	Mark No.	Description	Part No.
----------	-------------	----------	----------	-------------	----------

## LIST OF ASSEMBLIES

NSP	1..PLMX ASSY	DWM2450
	2..JOG1 ASSY	DWS1436
	2..TCH1 ASSY	DWS1437
	2..JOG2 ASSY	DWS1438
	2..TCH2 ASSY	DWS1439
	2..CDJ1 ASSY	DWX3302
	2..HLD1 ASSY	DWX3309
	2..HLD2 ASSY	DWX3310
NSP	1..PLJK ASSY	DWM2451
	2..GDJ2 ASSY	DWX3303
	2..JACK ASSY	DWX3304
	2..GRFD ASSY	DWX3305
	2..HPJK ASSY	DWX3306
	2..HLD3 ASSY	DWX3311
	2..HPLC ASSY	DWX3324
	1..IFPW ASSY	DWX3301

Mark No.	Description	Part No.
----------	-------------	----------

## PLJK ASSY

### MISCELLANEOUS

J	1,3	3P JUMPER WIRE	D20PDY0310E
J	2	JUMPER WIRE	D20PDY0520E
	6	HLD3 ASS'Y	DWX3311

## PLMX ASSY

### MISCELLANEOUS

J	1	3P JUMPER WIRE	D20PDY0310E
J	2	JUMPER WIRE	D20PDY0305E
	6	HLD1 ASS'Y	DWX3309
	7	HLD2 ASS'Y	DWX3310

## **A** JACK ASSY

### SEMICONDUCTORS

IC	2901,2902	NJM4565MD
IC	2903,2904	NJM2121MD
Q	2901	LTC124EUB

Q	2903,2905,2907	IMX9
---	----------------	------

### MISCELLANEOUS

JA	2901	MIC JACK	DKN1614
JA	2902,2903	PIN JACK (2P)	AKB7181
JA	2904,2905	HEADPHONE JACK	DKN1622
KN	2901	EARTH TERMINAL	AKF7002
KN	2902	SCREW PLATE	VNE1948
VR	2901	POTENTIOMETER	DCS1115
VR	2902	POTENTIOMETER	DCS1111
S	2901	SLIDE SWITCH	DSH1025
CN	2901	27P CONNECTOR	VKN1842
VA	2901-2905	VARISTORS	EZJZ1V270RM

### RESISTORS

R	2903,2904	RS1/10SR1102D
R	2905,2906	RS1/10SR1001D
R	2907	RS1/10SR2201D
R	2908,2909,2914,2915	RS1/10SR1202D
R	2910	RS1/10SR1002D
R	2912	RS1/10SR1101D
R	2913	RS1/10SR6802D
R	2919,2920	RS1/10SR8200D
R	2921,2922	RS1/10SR2401D
R	2941,2943,2945,2947	RS1/10SR1200D
R	2957-2962	RS1/4SA0R0J
	Other Resistors	RS1/10SR###J

### CAPACITORS

C	2901,2955,2972,2978	CKSRBY103K50
C	2902,2916,2918,2928	CKSRBY104K16
C	2903,2975	CCSRCH102J50
C	2905,2906,2908,2910	CCSRCH101J50
C	2907	CCSRCH561J50
C	2911	CCSRCH181J50
C	2912	ACG1147
C	2913	CCSRCH331J50
C	2915,2963,2964	CEAT101M16
C	2920,2921,2923,2924	DCH1201
C	2922,2925,2932,2933	CEAL100M16
C	2929,2957-2959,2961	CKSRBY104K16
C	2935-2940	CEAL101M16
C	2943-2948	DCE1016
C	2974	CKSRBY104K16

Mark	No.	Description	Part No.	Mark	No.	Description	Part No.
	C	2976,2977	DCH1201	R	573,574,577,578		RS1/10SR4301D
A		<b>B</b> IFPW ASSY <b>SEMICONDUCTORS</b>		R	579	Other Resistors	RS1/10SR5600D RS1/10SR###J
	IC	102	TUSB3200ACPAH	<b>CAPACITORS</b>	C	101,306,307,314	CKSRYP105K10
	IC	104	S-24CS64A0I	C	103,104,108,111		CCSRCH102J50
	△ IC	301,305	NJM2878F3-05	C	112,129,132,136		CCSRCH102J50
	△ IC	302	NJM2392M	C	115,144,308,328		DCH1201
	△ IC	303,304	NJM2878F3-33	C	119-122,126,139		CKSRYP104K16
	IC	307	S-80942CNMC-G9C	C	124,125		CCSRCH470J50
	IC	501,502	AK4387ET	C	127,506,507		CKSRYP103K50
	IC	503	AK5358AET	C	128,535-542		CCSRCH101J50
B	IC	504	BH3547F	C	130,131		CCSRCH180J50
	IC	505-507	NJM4580MD	C	137,505,554		CCSRCH102J50
	Q	101	RN4982	C	301,304,305,312		CKSRYP104K16
	Q	301,507,510	LTA124EUB	C	303,509,511-513		CEVW470M6R3
	Q	302,310,312,508	LTC124EUB	C	309		CCSRCH121J50
	Q	303,309,320-322	LSA1576UB	C	310		CCSRCH221J50
	Q	306	RTQ040P02	C	311		CEVW471M10
	Q	311,313,502	LSC4081UB	C	313,315,316,320		CKSRYP104K16
	Q	323	HN1B04FU	C	318,321,327		CKSRYP105K10
	Q	501,505	IMX9	C	322-326,330,508		CKSRYP104K16
	Q	503	RN1903	C	344		CKSRYP222K50
C	Q	504,509	LSA1576UB	C	515,546,547,551		CKSRYP104K16
	Q	511	LTC124EUB	C	516,517,529		DCH1201
	D	301,303,306-308	RB551V-30	C	518,519,545		CEVW101M16
	D	304	1SS352	C	520-522,525,553		CKSRYP103K50
	D	312,313	RB551V-30	C	527,528		CCSRCH681J50
	D	501,502	1SS302	C	530,531		CCSRCH471J50
	D	506	1SS301	C	532,550		CEVW470M6R3
		<b>MISCELLANEOUS</b>		C	533,555,557		CCH1565
	L	104 COIL	ATH7064	C	552		CKSRYP104K16
	L	105-107 INDUCTOR	CTF1629	C	560,561		CEVW100M16
D	L	111 INDUCTOR	CTF1793	C	562,563		CKSRYP103K50
	L	303 POWER INDUCTOR	ATH7053				
	L	501,502 CHIP COIL	ATH1170				
	JA	102 USB CONNECTOR	DKN1237	<b>C</b> HPLC ASSY <b>RESISTORS</b>			
	KN	101 SCREW PLATE	VNE1948	All Resistors			RS1/4SA###J
	S	101 SLIDE SWITCH	DSH1025	<b>MISCELLANEOUS</b>			
	X	101 CRYSTAL RESONATOR (6 MHz)	VSS1210	JH 3001 3P CABLE HOLDER			51048-0300
	CN	101 27P CONNECTOR	VKN1842	<b>CAPACITORS</b>			
	CN	102 39P CONNECTOR	VKN2097	C	3001-3003		CEAT682M6R3
	CN	104 3PJUMPER CONNECTOR	52151-0310				
E		<b>RESISTORS</b>		<b>D</b> CDJ1 ASSY <b>SEMICONDUCTORS</b>			
	R	109	RS1/10SR2701F	IC	1001	S-80927CNMC-G8X	
	R	114	RS1/10SR3900F	IC	1002	PEQ033A8	
	R	303,345	RS1/4SA1R5J	IC	1201,1202	TC74HC4052AF	
	R	306	RS1/4SA271J	Q	1201,1236	LTC114YUB	
	R	311	RS1/10SR1802F	Q	1202-1209	LTC124EUB	
	R	312,544,545	RS1/10SR3901D	Q	1211-1217	LSA1576UB	
	R	322	RS1/4SA1R0J	Q	1218,1219,1237,1239	RN1903	
	R	337	RS1/8SQOR0J	Q	1220,1222,1224,1226	RN4982	
	R	341,342,346,347	RS1/4SA270J	Q	1221,1223,1225,1227	LSC4081UB	
	R	535,536,552-559	RS1/10SR4701D	Q	1228,1230,1232,1234	RN4982	
F	R	540-543	RS1/10SR3301D	Q	1229,1231,1233,1235	LSC4081UB	
	R	560,562,564,566	RS1/10SR1002D				
	R	561,563,565,567	RS1/10SR9101D				
	R	568-572,575,576	RS1/10SR5600D				

Mark	No.	Description	Part No.
Q	1238,1240,1242,1244		LTA114EUB
Q	1241,1243		RN1903
D	1201-1207,1212-1216		SLI-343U8R(HJK)
D	1208-1211,1217-1219		1SS352
D	1220,1222-1225		SLI-343U8R(HJK)
D	1221,1226-1229		1SS352
D	1230-1232,1234-1240		SLI-343U8R(HJK)
D	1233		SLI-343Y8Y(KLM)
D	1241-1244,1251		1SS352
D	1245-1249,1252		SLI-343U8R(HJK)
D	1250,1260,1272,1283		SLR343BC4T(JK)
D	1253-1256,1265-1267		1SS352
D	1257-1259,1261-1264		SLI-343U8R(HJK)
D	1268-1271,1273,1274		SLI-343U8R(HJK)
D	1275-1277,1286-1291		1SS352
D	1278-1282,1284,1285		SLI-343U8R(HJK)
D	1295,1296		1SS352

**MISCELLANEOUS**

L	1001-1003	INDUCTOR	CTF1629
L	1004	INDUCTOR	DTH1211
KN	1001,1201	EARTH TERMINAL	AKF7002
VR	1201-1203,1205-1207	ROTARY VR	DCS1078
VR	1204	VARIABLE RESISTOR	DCV1011
VR	1208,1213	VARIABLE RESISTOR	DCV1024
VR	1209,1211,1212,1216	ROTARY VR	DCS1078
VR	1210,1214,1217	ROTARY VR	DCS1117
VR	1215	ROTARY VR	DCS1116
VR	1218,1219	ROTARY VR	DCS1078
S	1201,1204,1208,1212	TACT SWITCH	DSG1089
S	1202,1203,1205-1207	TACT SWITCH	DSG1079
S	1209-1211,1214,1215	TACT SWITCH	DSG1079
S	1213,1222	TACT SWITCH	DSG1117
S	1216,1217,1219-1221	TACT SWITCH	DSG1089
S	1218,1223,1224	TACT SWITCH	DSG1079
S	1225,1229	TACT SWITCH	DSG1089
S	1226-1228,1230,1231	TACT SWITCH	DSG1079
S	1232,1233	ENCODER	DSX1082
S	1234	ROTARY SW	CSD1153
X	1001	CERAMIC RESONATOR (4 MHz)	DSS1131
CN	1002	L-PLUG (4P)	KM200NA4L
CN	1003,1004	39P CONNECTOR	VKN2097
JH	1001,1002	3P CABLE HOLDER	51048-0300
VA	1201,1202,1204,1205	VARISTORS	EZJZ1V270RM

**RESISTORS**

R	1266,1267		RS1/10SR2201D
R	1330		RS1/4SAOR0J
		Other Resistors	RS1/10SR###J

**CAPACITORS**

C	1001,1005-1007,1213		CKSRYB104K16
C	1002		CKSRYB222K50
C	1008,1022,1023		DCH1201
C	1021,1024-1028,1207		CKSRYB103K50
C	1209,1223,1232,1234		CKSRYB103K50
C	1222,1239		CKSRYB104K16
C	1240,1250-1253,1266		CKSRYB103K50
C	1249		CEAT101M16
C	1260		CCSRCH470J50
C	1262-1265,1274		CKSRYB102K50
C	1267,1270,1271		CKSRYB103K50

Mark	No.	Description	Part No.
C	1273		CCSRCH221J50

**E HPJK ASSY  
MISCELLANEOUS**

JA	1901	HEADPHONE JACK	DKN1622
JA	1902	STEREO MINI JACK	XKN3017
KN	1901	SCREW PLATE	VNE1948
JH	1901	5P CABLE HOLDER	51048-0500

**RESISTORS**

R	1901		RS1/4SAOR0J
		Other Resistors	RS1/10SR###J

**CAPACITORS**

C	1901,1902		CEAT471M6R3
C	1905-1908		CKSRYB473K50

**F CRFD ASSY  
MISCELLANEOUS**

VR	2601	VARIABLE RESISTOR	DCV1023
CN	2601	3PJUMPER CONNECTOR	52151-0310

**RESISTORS**

		All Resistors	RS1/10SR###J
--	--	---------------	--------------

**CAPACITORS**

C	2601		CKSRYB104K16
---	------	--	--------------

**G CDJ2 ASSY  
SEMICONDUCTORS**

IC	2201		TC74HC4052AF
Q	2201-2208		RN4982
Q	2209,2212,2216,2219		RN1903
Q	2210,2214,2217,2220		LTA114EUB
Q	2211,2213,2215,2218		LSC4081UB
Q	2221-2224		LSC4081UB
Q	2225,2226		RN1903
Q	2227-2232		LTC124EUB
Q	2233		LTC114YUB
Q	2234-2239		LSA1576UB
D	2201,2202,2204-2206		SLI-343U8R(HJK)
D	2203		SLI-343Y8Y(KLM)
D	2207-2209,2216-2218		1SS352
D	2210-2215,2219-2224		SLI-343U8R(HJK)
D	2225-2227,2234-2236		1SS352
D	2228-2233,2237-2242		SLI-343U8R(HJK)
D	2243-2245,2253-2256		1SS352
D	2246,2257,2265,2275		SLR343BC4T(JK)
D	2247-2252,2258-2262		SLI-343U8R(HJK)
D	2263,2264,2272-2274		1SS352
D	2266-2271		SLI-343U8R(HJK)
D	2276,2277		1SS352

**MISCELLANEOUS**

KN	2201	EARTH TERMINAL	AKF7002
VR	2201-2205	ROTARY VR	DCS1078
VR	2206	VARIABLE RESISTOR	DCV1011
VR	2207,2208	ROTARY VR	DCS1117
S	2201,2206,2209	TACT SWITCH	DSG1089

Mark	No.	Description	Part No.
A	S	2202-2205,2207,2208 TACT SWITCH	DSG1079
	S	2210,2217 TACT SWITCH	DSG1117
	S	2211-2213,2218-2224 TACT SWITCH	DSG1079
	S	2214-2216 TACT SWITCH	DSG1089
	S	2225,2226 ENCODER	DSX1082
	CN2001	39P CONNECTOR	VKN2097
	CN2002	L-PLUG (4P)	KM200NA4L
	JH 2001	3P CABLE HOLDER	51048-0300

Mark	No.	Description	Part No.
	<b>K TCH2 ASSY</b>		
	<b>SEMICONDUCTORS</b>		
	IC	2801	GP1S094HCZ0F
	Q	2802	LSA1576UB

**MISCELLANEOUS**

CN2801 3PJUMPER CONNECTOR 52151-0310

**RESISTORS**

All Resistors RS1/10SR###J

**CAPACITORS**

C 2801 CKSRYB104K16

**RESISTORS**R 2273,2274 RS1/10SR2201D  
Other Resistors RS1/10SR###J**CAPACITORS**C 2001 CEAT101M16  
C 2204,2205,2214,2215 CKSRYB103K50  
C 2213,2220 CKSRYB104K16  
C 2217,2218 CKSRYB103K50**H JOG1 ASSY****MISCELLANEOUS**

CN1701 CONNECTOR ASS'Y PF04PG-B05

**RESISTORS**

All Resistors RS1/10SR###J

**MISCELLANEOUS**

PC1701 PHOTO INTERRUPTER SEDS-7573

**CAPACITORS**

C 1701 CKSRYB105K10

**I JOG2 ASSY****MISCELLANEOUS**

CN2701 CONNECTOR ASS'Y PF04PG-B05

**RESISTORS**

All Resistors RS1/10SR###J

**MISCELLANEOUS**

PC2701 PHOTO INTERRUPTER SEDS-7573

**CAPACITORS**

C 2701 CKSRYB105K10

**J TCH1 ASSY****SEMICONDUCTORS**IC 1801 GP1S094HCZ0F  
Q 1802 LSA1576UB**MISCELLANEOUS**

CN1801 3PJUMPER CONNECTOR 52151-0310

**RESISTORS**

All Resistors RS1/10SR###J

**CAPACITORS**

C 1801 CKSRYB104K16