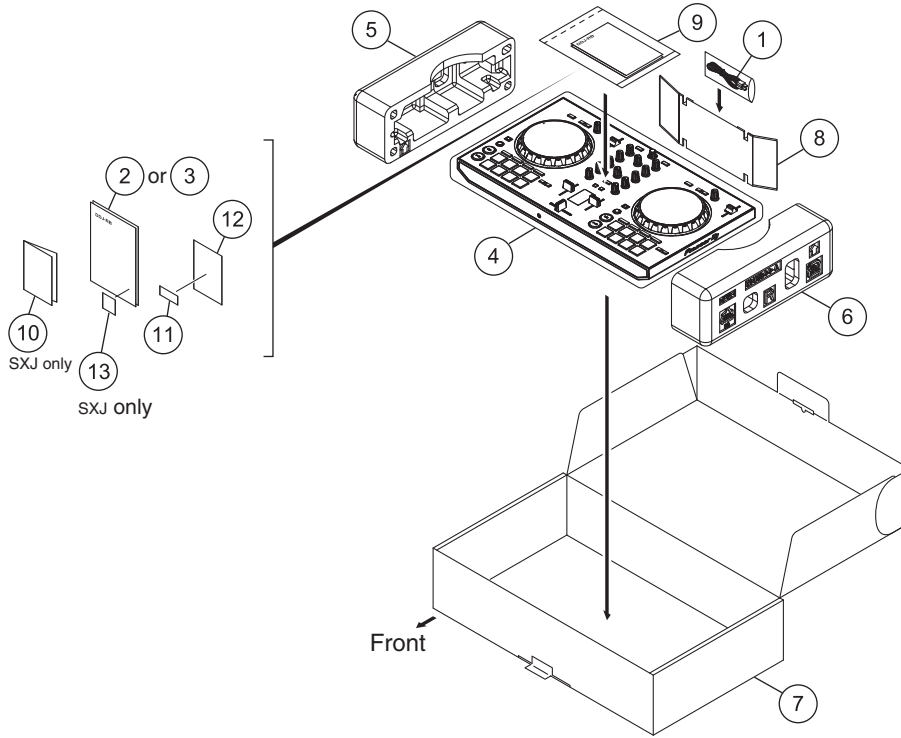


9. EXPLODED VIEWS AND PARTS LIST

- NOTES:**
- Parts marked by "NSP" are generally unavailable because they are not in our Master Spare Parts List.
 - The \triangle mark found on some component parts indicates the importance of the safety factor of the part. Therefore, when replacing, be sure to use parts of identical designation.
 - Screws adjacent to ∇ mark on product are used for disassembly.
 - For the applying amount of lubricants or glue, follow the instructions in this manual. (In the case of no amount instructions, apply as you think it appropriate.)

9.1 PACKING SECTION



(1) PACKING SECTION PARTS LIST

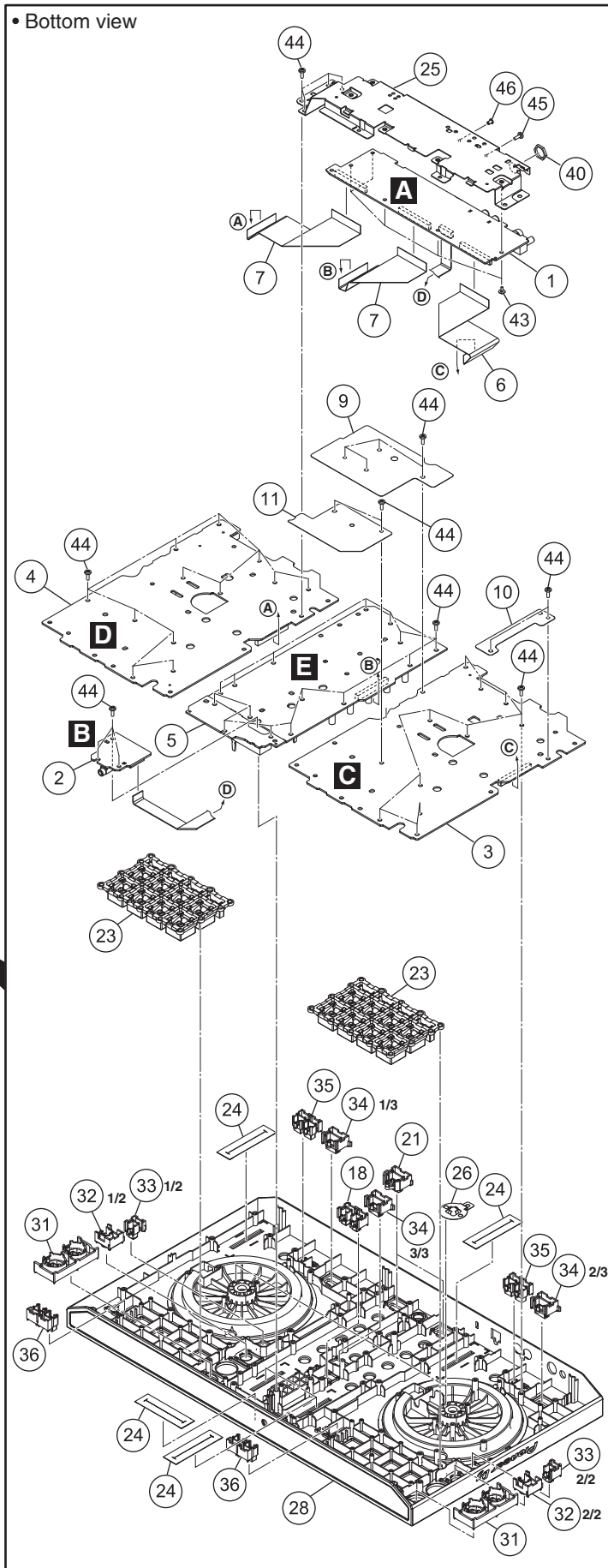
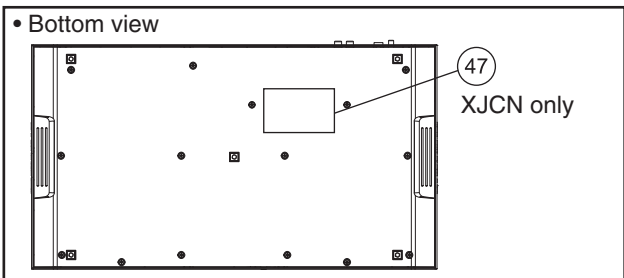
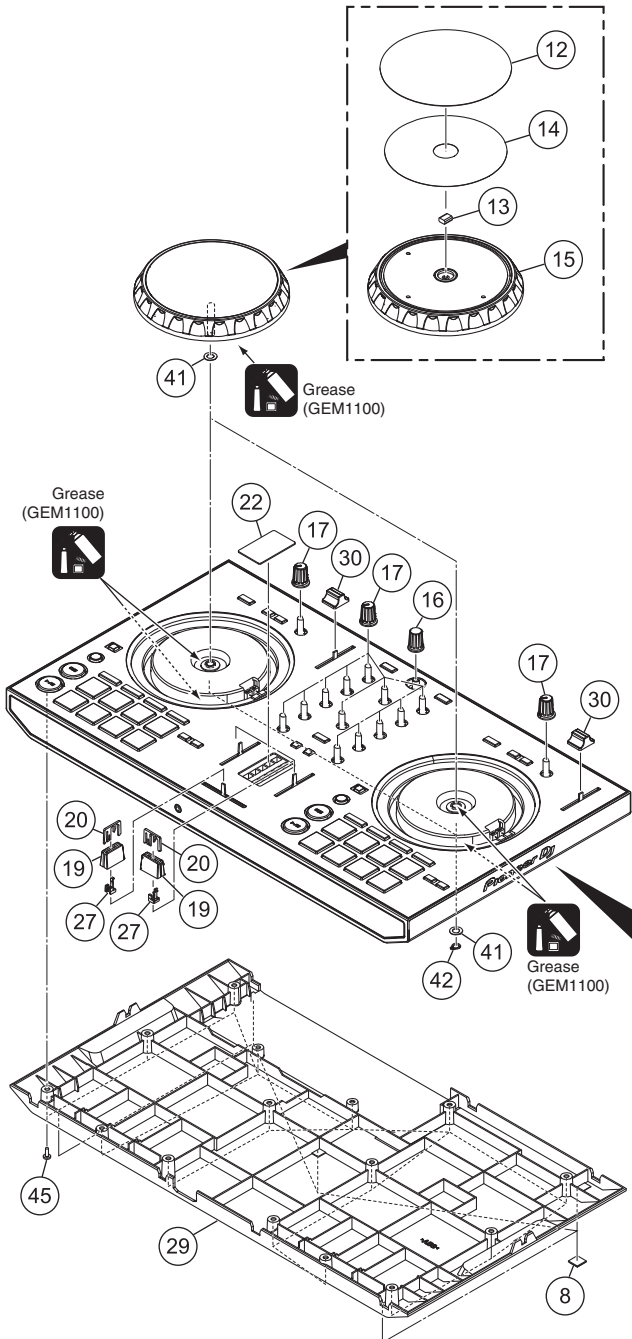
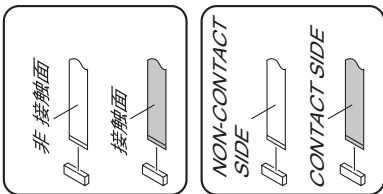
Mark No.	Description	Part No.	Mark No.	Description	Part No.
1	USB Cable	DDE1128	NSP 9	Polyethylene Bag	AHG7117
2	Operating Instructions (Quick Start Guide) (En, Fr, De, It, NI, Es, Pt, Ru, Ja)	See Contrast table (2)	NSP 10	Warranty (for some regions)	See Contrast table (2)
3	Operating Instructions (Quick Start Guide) (Zhcn)	See Contrast table (2)	NSP 11	License key card for "rekordbox dj"	DXA2304
4	Packing Sheet	AHG7053	NSP 12	Leaflet	DRM1410
5	Packing Pad	DHA1943	13	Label/IM1	See Contrast table (2)
6	Packing Pad	DHA1944			
7	Packing Case	See Contrast table (2)			
8	Partition/ACC	DHC1085			

(2) CONTRAST TABLE

DDJ-RB/SXJ and XJCN are constructed the same except for the following:

Mark	No.	Symbol and Description	DDJ-RB/SXJ	DDJ-RB/XJCN
NSP	2	Operating Instructions (Quick Start Guide) (En, Fr, De, It, NI, Es, Pt, Ru, Ja)	DRH1368	Not used
	3	Operating Instructions (Quick Start Guide) (Zhcn)	Not used	DRH1370
	7	Packing Case	DHG3464	DHG3479
	10	Warranty (for some regions)	DRY1270	Not used
	13	Label/IM1	DRW2534	Not used

9.2 EXTERIOR SECTION



(1) EXTERIOR SECTION PARTS LIST

	<u>Mark No.</u>	<u>Description</u>	<u>Part No.</u>	<u>Mark No.</u>	<u>Description</u>	<u>Part No.</u>
A	1	MAIN Assy	DWX3907	26	Plate/CND	DNH3137
	2	HPJK Assy	DWX3912	27	Stopper/SLD	DNK6009
	3	DCK1B Assy	DWX3908	28	Control Panel	DNK6637
	4	DCK2B Assy	DWX3910	29	Chassis	DNK6636
	5	MXR Assy*	DWX3911	30	Knob	DNK6530
	6	FFC	DDD1771	31	Button	DAC3229
	7	FFC	DDD1772	32	Button	DAC3230
	8	Rubber Foot	VEB1349	33	Button S (Black)	DAC2663
	9	Sheet	DEC3690	34	Button	DAC3231
	10	Sheet	DEC3691	35	Button	DAC3210
B	11	Sheet	DEC3692	36	Button	DAC3232
	12	Plate	DAH3113	37	•••••	
	13	Gasket/JOG	DEC3539	38	•••••	
	14	DS Tape/JOG	DEH1042	39	•••••	
	15	Jog Dial	DNK6638	40	Nut (M12)	NKX2FNI
	16	Dial Knob S (B)	DAA1273	41	Washer	WA62D095D050
	17	Knob/PLS	DAA1324	42	Washer	YC60FAC
	18	Button/FX	DAC2796	43	Screw	ASZ26P050FTC
	19	Slider Knob 1	DAC2684	44	Screw	BPZ30P080FNI
C	20	Slider Knob 2	DAC2685	45	Screw	BPZ30P120FTB
	21	Button	DAC3151	46	Screw (M3*5)	DBA1340
	22	Plate	DAH3036	NSP 47	Label	See Contrast table (2)
	23	Button	DEB2043			
	24	Fader Packing	DEC3355			
	25	Stay	DNH3275			

*Cross fader PCB (jumper connection) of MXR Assy is not service parts.
If necessary to order the MXR Assy.

(2) CONTRAST TABLE

DDJ-RB/SXJ and XJCN are constructed the same except for the following:

<u>Mark</u>	<u>No.</u>	<u>Symbol and Description</u>	<u>DDJ-RB/SXJ</u>	<u>DDJ-RB/XJCN</u>
NSP	47	Label	Not used	DRW2686

12. PCB PARTS LIST

NOTES: ● Parts marked by "NSP" are generally unavailable because they are not in our Master Spare Parts List.

● The Δ mark found on some component parts indicates the importance of the safety factor of the part. Therefore, when replacing, be sure to use parts of identical designation.

● When ordering resistors, first convert resistance values into code form as shown in the following examples.

Ex.1 When there are 2 effective digits (any digit apart from 0), such as 560 ohm and 47 k ohm (tolerance is shown by J = 5%, and K = 10%).

560 Ω \rightarrow 56×10^1 \rightarrow 561 RD1/APU $\overline{5}$ $\overline{6}$ $\overline{7}$ J

47 k Ω \rightarrow 47×10^3 \rightarrow 473 RD1/APU $\overline{4}$ $\overline{7}$ $\overline{3}$ J

0.5 Ω \rightarrow R50 RN2H \overline{R} $\overline{5}$ $\overline{0}$ K

1 Ω \rightarrow 1R0 RS1P $\overline{1}$ \overline{R} $\overline{0}$ K

Ex.2 When there are 3 effective digits (such as in high precision metal film resistors).

5.62 k Ω \rightarrow 562×10^1 \rightarrow 5621 RN1/4PC $\overline{5}$ $\overline{6}$ $\overline{2}$ $\overline{1}$ F

Mark	No.	Description	Part No.	Mark	No.	Description	Part No.
LIST OF ASSEMBLIES				MISCELLANEOUS			
	1..MAIN ASSY		DWX3907		D	202,212,215,217	DA2J101
				Δ	D	207-209	RB551VM-30
					D	210	RB551VM-30
NSP	1..DCK1 ASSY		DWM2625		D	214	DAN202UM
	2..DCK1B ASSY		DWX3908		D	702,704	DA2J101
	2..HPJK ASSY		DWX3912		D	705,708	RB501VM-40
NSP	1..DCK2 ASSY		DWM2626	MISCELLANEOUS			
	2..DCK2B ASSY		DWX3910	L	104	COIL	ATH7015
				L	205	POWER INDUCTOR	ATH7053
	1..MXR ASSY		DWX3911	L	401	CHIP BEADS	VTL1129
				L	402-404,406,408	INDUCTOR	CTF1793
				JA	101	USB CONNECTOR	DKN1237
				JA	701	6.5 DIA JACK	DKN1653
				JA	702	PIN JACK (2P)	AKB7181
				VR	701	POTENTIOMETER	DCS1111
				X	401	CRYSTAL (22.5792 MHz)	DSS1202
				X	404	RESONATOR	CSS1760
				CN	101-103	39P CONNECTOR	VKN2097
				JH	101	7P CABLE HOLDER	51048-0700
				JP	101	7P JUMPER WIRE	D20PDY0730E
				Δ P	101	PROTECTOR (1.000 A)	DEK1097
				VA	103,701,702	VARIATORS	EZJZ1V270RM
				RESISTORS			
				R	125		RS1/10SR102J
				R	208,211,248,259		RS1/10SR0R0J
				R	219,252		RS1/4SA100J
				R	224,226		RS1/8SQ1R5J
				R	231,746,747		RS1/10SR271J
				R	245		RS1/16SS1802F
				R	246		RS1/16SS3901D
				R	251		RS1/10SR103J
				R	260,776,777		RS1/10SR471J
				R	267,292		RS1/8SQ0R0J
				R	293,294		RS1/16SS1002D
				R	295		RS1/4SA0R0J
				R	411,478		RAB4CQ560J
				R	418,422,446,476		RAB4CQ103J
				R	434		RAB4CQ101J
				R	449,468		RAB4CQ221J
				R	525		RAB4CQ472J
				R	533		RS1/16SS5601F
				R	536,571,572,715		RS1/10SR0R0J
				R	707		RS1/10SR1501D
				R	709		RS1/10SR6802D
Δ	IC 202,211		MM3411A33N				
Δ	IC 204,210		MM1856A50N				
Δ	IC 205		S-1172B1C-U5				
Δ	IC 207		NJM2392M				
Δ	IC 209		S-80942CNMC-G9C				
	IC 406		R5S72670P144FP				
	IC 407		TC74VHC08FK				
	IC 408		DYW1937*				
	*Part number of the initial firmware equipped						
	IC 409		S-80927CNMC-G8X				
	IC 410		TC7SH126FU				
	IC 701,703		AK4387ET				
	IC 702		NJM4565MD				
	IC 705		NJM4580MD				
	IC 706		BH3547F				
	IC 708		AK5358AET				
	IC 711,712		TC74HC4051AFT				
	IC 713		74VHC4051AFT				
	Q 104-109,224		RN1903				
	Q 201,205,211,704		LTC024EEB				
	Q 202,206,705,706		LSCR523UB				
Δ	Q 203		RTQ040P02				
	Q 207,209,213,713		LSAR523UB				
	Q 221		HN1B04FU				
	Q 707,708		IMX9				
	Q 709,712		LTA024EEB				
	Q 710		LTC024EEB				
	Q 711		LSCR523UB				

Mark	No.	Description	Part No.
	R	710	RS1/10SR1801D
	R	711,752,753,794	RS1/10SR3301D
	R	720,723,761,790	RS1/10SR0R0J
A	R	722,727	RS1/10SR100J
	R	724	RS1/10SR9101D
	R	728,837	RS1/10SR7500D
	R	740,741	RS1/10SR4701D
	R	750,751	RS1/10SR1002D
	R	780,781,783,785	RS1/10SR331J
	R	836	RS1/10SR1001D
	R	859	RAB4CQ103J
		Other Resistors	RS1/16SS###J

Mark	No.	Description	Part No.
	C	716,722,723,727	CKSRYB104K16
	C	717,718	CCSRCH222J50
	C	719,724	CEVW101M16
	C	721,731,766	CEVW470M6R3
	C	728	CKSRYB104K16
	C	735	CCH1565
	C	739,740,773,774	CEVW220M16
	C	744,807	DCH1263
	C	748,783,814	CKSSYB103K16
	C	749,750	CCSSCH681J50
	C	751,752	CCSSCH181J50
	C	753	CKSQYB475K6R3
	C	755,761	DCH1156
	C	784	CEVW331M6R3

CAPACITORS

B	C	102,424,426-431	CKSSYB103K16
	C	104,209,264,477	CCG1192
	C	109,201,205,206	CKSRYB105K10
	C	112,115,118,120	CKSSYB102K50
	C	148,402,403	CCSSCH101J50
	C	211	DCH1266
	C	217,232,243,254	CKSRYB105K10
	C	218,235,236,242	CKSSYB104K10
	C	234,412,413,712	CEVW470M6R3
	C	244	CCSSCH121J50
	C	249,285,432,441	CKSSYB104K10
	C	252,267,270	CEVW471M10
	C	257,286,425,513	CCSSCH221J50
	C	262,274,280,287	CKSRYB105K10
	C	290,729,742,743	CKSRYB105K10

	C	785	CKSRYB105K10
	C	786,823,824	CKSSYB102K50
	C	804,808,810	CCG1192
	C	809,811,825,833	CKSSYB104K10
	C	826-829,831,832	CKSSYB102K50
	C	834-837,839,844	CKSSYB102K50
	C	841	CKSSYB104K10
	C	847,848,852,853	CCSSCH101J50
	C	855,862-864	CCSSCH101J50
	C	857	CCSSCH221J50
	C	865,866,868,869	CKSSYB102K50

	C	401,404,487	CCSSCH120J50
	C	405-409,411,414	CCSSCH101J50
	C	410,437,466,468	CKSSYB102K50
	C	415,418,421-423	CCSSCH101J50
	C	433,434,438,442	CKSSYB103K16
	C	435,436,439,440	CCSSCH101J50
	C	443,446,449,451	CCSSCH101J50
	C	444,447,450,452	CKSSYB103K16
	C	445,448,454,456	CKSSYB471K50
	C	453,471,480	CCSSCH101J50

B HPJK ASSY SEMICONDUCTORS

Q	2601,2602	INC2002AC1
---	-----------	------------

MISCELLANEOUS

JA	2601	STEREO MINI JACK	XKN3017
CN	2601	7P JUMPER CONNECTOR	52147-0710

RESISTORS

R	2606,2608,2611-2614	RS1/4SA0R0J
	Other Resistors	RS1/10SR###J

CAPACITORS

C	2603,2604	CKSRYB104K50
C	2607,2608	CEAT471M10

	C	455,457,459	CKSSYB103K16
	C	458,469,470,473	CKSSYB104K10
	C	461-465,483,488	CKSSYB103K16
	C	474,478,482,484	CKSSYB104K10
	C	475,476,493-495	CKSSYB102K50
	C	485,499-501,506	CKSSYB104K10
	C	489,490,503-505	CCG1192
	C	491	CKSSYB222K50
	C	492,706,710,747	CKSSYB103K16
	C	496-498,510-512	CCSSCH101J50

C DCK1B ASSY SEMICONDUCTORS

IC	1201	DYW1849*
*Part number of the initial firmware equipped		
Q	1201,1202	2SC4154-11
Q	1401,1403,1405,1407	LTC124EUB
Q	1402,1404,1406,1408	2SB1689
Q	1409-1416	LTC123JUB
Q	2601,2602	INC2002AC1
D	1201-1209	DAN202UM
D	1210	RB501VM-40
D	1402,1403,1405,1406	LTL17KRH5D
D	1404,1412	LTL17KGH5D
D	1409-1411,1413	LTL17KRH5D
D	1416-1418,1421	LTL17KRH5D
D	1420,1424,1429	LTL17KSL5D
D	1426-1428,1430,1433	LTL17KRH5D
D	1434-1436	LTL17KCBH5D

	C	502	CCSSCH100D50
	C	507,702,708,709	CKSSYB102K50
	C	514,745,849,856	CCSSCH221J50
	C	515,516,519-524	CCSSCH101J50
	C	533,732,733,765	CCG1192
	C	701,781	CKSRYB104K50
	C	704	CCSSCH561J50
	C	705	CKSSYB332K50
	C	707	ACG1147
	C	713,714,726,806	CKSSYB104K10
	C	715,730,734,782	CKSSYB102K50

Mark No.	Description	Part No.
MISCELLANEOUS		
L	1204,1206,1207 INDUCTOR	CTF1379
KN	1201 EARTH TERMINAL	AKF7002
VR	1201 POTENTIOMETER	DCS1097
VR	1203 SLIDE VR	DCV1034
S	1201,1202,1206-1208 TACT SWITCH	DSG1079
S	1203-1205,1209,1210 TACT SWITCH	DSG1117
S	1211-1213,1219-1221 TACT SWITCH	DSG1079
S	1214-1218 TACT SWITCH	DSG1117
CN	1001 39P CONNECTOR	VKN2097
PC	1201,1202 PHOTO INTERRUPTER	RPI-579N1
VA	1201,1202 SMD VARISTOR	EZJZ1V80010
VA	1203-1206 VARISTORS	EZJZ1V270RM

RESISTORS

R	1001	RS1/4SA2R0J
R	1211,1212	DCN1187
R	1213	RS1/10SR2202D
R	1216,1232,1235,1420	RS1/4SA0R0J
R	1228,1229	RS1/10SR2201D
R	1456,1459,1460,1470	RS1/4SA0R0J
R	1464	RS1/4SA152J
	Other Resistors	RS1/10SR###J

CAPACITORS

C	1003	CEJQ101M16
C	1201,1205,1208	CKSRYB104K16
C	1203,1209,1211	CKSRYB103K50
C	1206	DCH1201
C	1213	CCSRCH221J50

**D DCK2B ASSY
SEMICONDUCTORS**

IC	1201	DYW1849*
*Part number of the initial firmware equipped		
Q	1201,1202	2SC4154-11
Q	1401,1403,1405,1407	LTC124EUB
Q	1402,1404,1406,1408	2SB1689
Q	1409-1416	LTC123JUB
D	1201-1209	DAN202UM
D	1210	RB501VM-40
D	1402,1403,1405,1406	LTL17KRH5D
D	1404,1412	LTL17KGH5D
D	1409-1411,1413	LTL17KRH5D
D	1416-1418,1421	LTL17KRH5D
D	1420,1424,1429	LTL17KSL5D
D	1426-1428,1430,1433	LTL17KRH5D
D	1434-1436	LTL17KCBH5D

MISCELLANEOUS

L	1204,1206,1207 INDUCTOR	CTF1379
KN	1201 EARTH TERMINAL	AKF7002
VR	1201 POTENTIOMETER	DCS1097
VR	1203 SLIDE VR	DCV1034
S	1201,1202,1206-1208 TACT SWITCH	DSG1079
S	1203-1205,1209,1210 TACT SWITCH	DSG1117
S	1211-1213,1219-1221 TACT SWITCH	DSG1079
S	1214-1218 TACT SWITCH	DSG1117
CN	1001 39P CONNECTOR	VKN2097
PC	1201,1202 PHOTO INTERRUPTER	RPI-579N1
VA	1201,1202 SMD VARISTOR	EZJZ1V80010

Mark No.	Description	Part No.
VA	1203-1206 VARISTORS	EZJZ1V270RM

RESISTORS

R	1001	RS1/4SA2R0J
R	1211,1212	DCN1187
R	1213	RS1/10SR2202D
R	1216,1232,1235,1420	RS1/4SA0R0J
R	1228,1229	RS1/10SR2201D
R	1456,1459,1460,1470	RS1/4SA0R0J
R	1464	RS1/4SA152J
	Other Resistors	RS1/10SR###J

CAPACITORS

C	1003	CEJQ101M16
C	1201,1205,1208	CKSRYB104K16
C	1203,1209,1211	CKSRYB103K50
C	1206	DCH1201
C	1213	CCSRCH221J50

**E MXR ASSY
SEMICONDUCTORS**

Q	2401,2403,2405,2407	LTC124EUB
Q	2402,2404,2406,2408	2SB1689
Q	2409-2412	LTC123JUB
D	2201,2204	DAN202UM
D	2202,2205	DA2J101
D	2401,2402,2405,2409	LTL17KGH5D
D	2403,2404,2407,2408	LTL17KSL5D
D	2406,2412	LTL17KRH5D
D	2410,2411,2413	LTL17KSL5D

MISCELLANEOUS

VR	2201-2204 POTENTIOMETER	DCS1097
VR	2205-2207,2212 POTENTIOMETER	DCS1096
VR	2208-2211 POTENTIOMETER	DCS1097
VR	2213,2214 VARIABLE RESISTOR	DCV1024
VR	2215 VARIABLE RESISTOR	DCV1023
S	2201,2205 TACT SWITCH	DSG1089
S	2202,2203,2206 TACT SWITCH	DSG1079
S	2204 ENCODER	DSX1082
CN	2001 39P CONNECTOR	VKN2097
VA	2201-2203,2213,2214 VARISTORS	EZJZ1V270RM
VA	2216,2217,2219,2220 VARISTORS	EZJZ1V270RM

RESISTORS

R	2001	RS1/4SA2R0J
	Other Resistors	RS1/10SR###J

CAPACITORS

C	2001	CEJQ101M16
C	2225,2227,2231	CKSRYB104K16
C	2226,2228-2230,2232	CKSRYB103K50