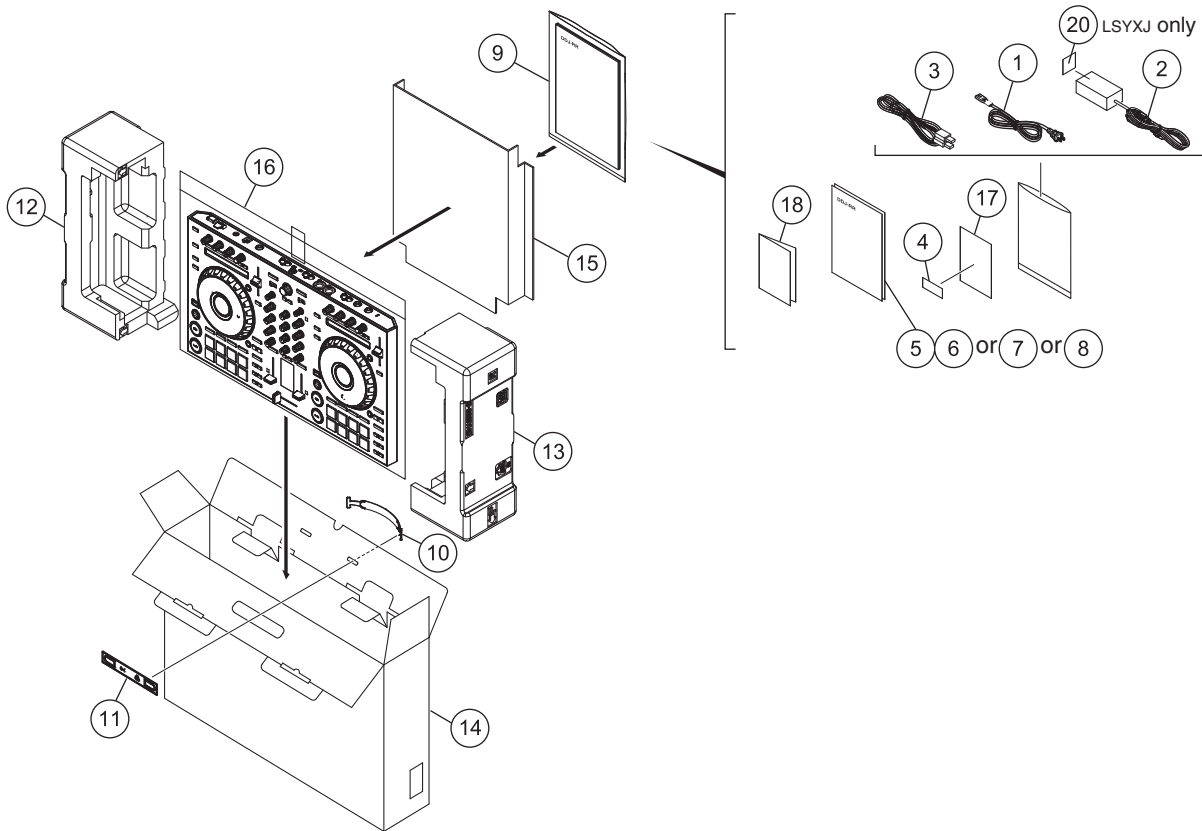


9. EXPLODED VIEWS AND PARTS LIST

- NOTES:**
- Parts marked by "NSP" are generally unavailable because they are not in our Master Spare Parts List.
 - The \triangle mark found on some component parts indicates the importance of the safety factor of the part. Therefore, when replacing, be sure to use parts of identical designation.
 - Screws adjacent to ∇ mark on product are used for disassembly.
 - For the applying amount of lubricants or glue, follow the instructions in this manual. (In the case of no amount instructions, apply as you think it appropriate.)

9.1 PACKING SECTION



(1) PACKING SECTION PARTS LIST

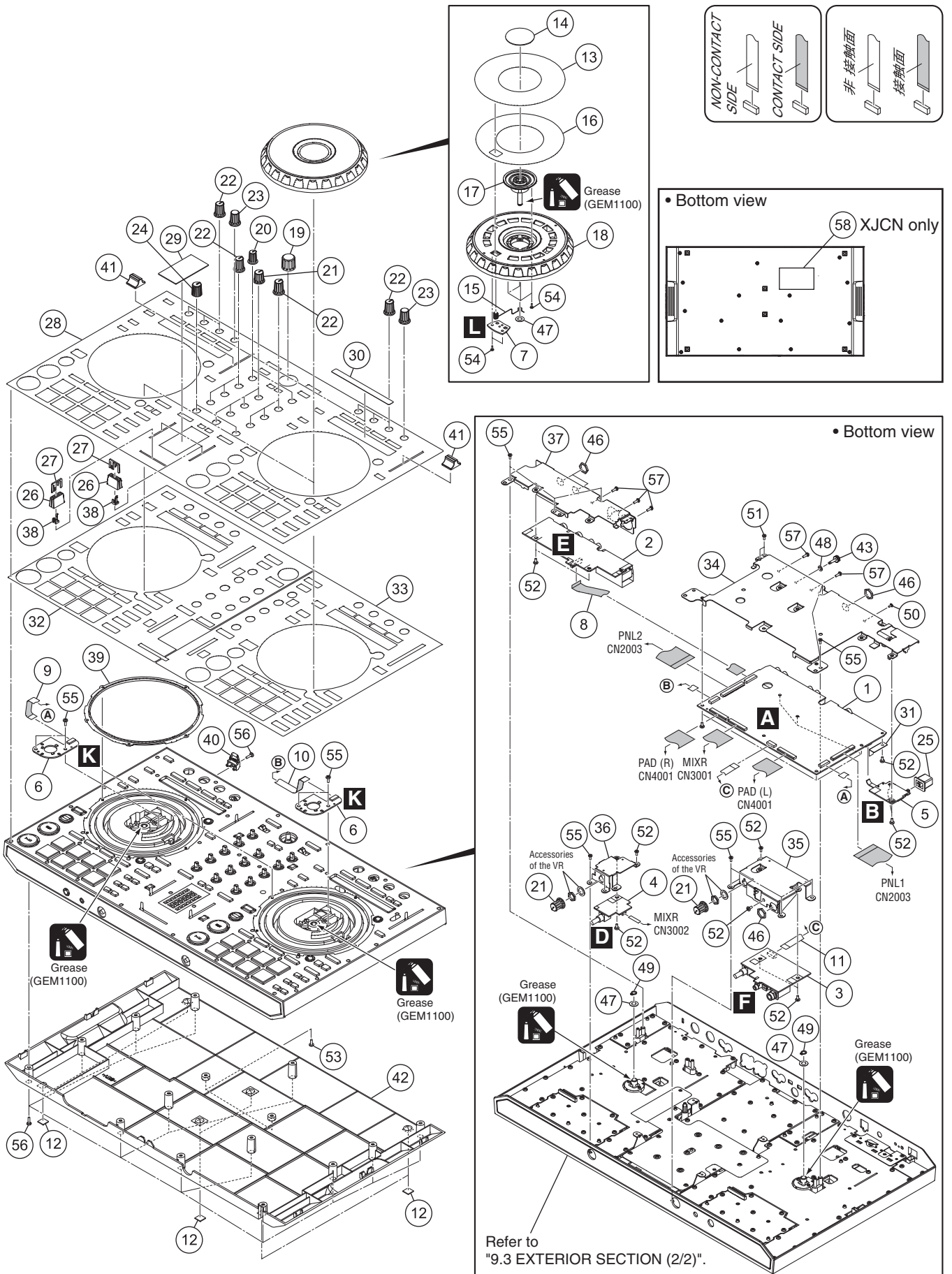
<u>Mark No.</u>	<u>Description</u>	<u>Part No.</u>	<u>Mark No.</u>	<u>Description</u>	<u>Part No.</u>
⚠ 1	Power Cord	See Contrast table (2)	NSP 9	Polyethylene Bag	AHG7117
⚠ 2	AC Adapter	See Contrast table (2)	10	Handle	DEC3709
3	USB Cable	DDE1128	11	Spacer	DEC3710
NSP 4	rekordbox dj license key card	DXA2304	12	Packing Pad	DHA1955
5	Operating Instructions (Quick Start Guide)	See Contrast table (2)	13	Packing Pad	DHA1956
6	Operating Instructions (Quick Start Guide)	See Contrast table (2)	14	Packing Case	See Contrast table (2)
7	Operating Instructions (Quick Start Guide)	See Contrast table (2)	15	Partition	DHC1095
8	Operating Instructions (Quick Start Guide)	See Contrast table (2)	16	Packing Sheet	RHC1023
			NSP 17	Leaflet	DRM1410
			NSP 18	Warranty	See Contrast table (2)
			19	•••••	
			NSP 20	Label	See Contrast table (2)

(2) CONTRAST TABLE

DDJ-RR/LSYXJ, UXJCB and XJCN are constructed the same except for the following:

<u>Mark</u>	<u>No.</u>	<u>Symbol and Description</u>	<u>DDJ-RR/LSYXJ</u>	<u>DDJ-RR/UXJCB</u>	<u>DDJ-RR/XJCN</u>
⚠	1	Power Cord	ADG1154	XDG3052	ADG7079
⚠	2	AC Adapter	DWR1546	DWR1552	DWR1546
	5	Operating Instructions (Quick Start Guide) (En, Fr, De, It)	DRH1362	Not used	Not used
	6	Operating Instructions (Quick Start Guide) (NI, Es, Pt, Ru)	DRH1363	Not used	Not used
	7	Operating Instructions (Quick Start Guide) (En)	Not used	DRH1364	Not used
	8	Operating Instructions (Quick Start Guide) (Zhcn)	Not used	Not used	DRH1365
	14	Packing Case	DHG3478	DHG3480	DHG3481
NSP	18	Warranty	DRY1270	Not used	Not used
NSP	20	Label	DRW2708	Not used	Not used

9.2 EXTERIOR SECTION (1/2)



EXTERIOR SECTION (1/2) PARTS LIST

<u>Mark No.</u>	<u>Description</u>	<u>Part No.</u>
1	MAIN Assy	DWX3893
2	MBJK Assy	DWX3900
3	HPJK Assy	DWX3901
4	MCVR Assy	DWX3897
5	PWSW Assy	DWX3898
6	JOG Assy	DWX3903
7	HOLD Assy	DWX3917
8	FFC	DDD1778
9	FFC	DDD1779
10	FFC	DDD1780
11	FFC	DDD1781
12	Rubber Foot	VEB1349
13	Plate	DAH3104
14	Window	DAH3105
15	Spring	DBH1812
16	DS Tape/Jog	DEH1058
17	Jog Dial	DNK6616
18	Jog Dial	DNK6617
19	Dial Knob	DAA1246
20	Knob	DAA1359
21	Knob	DAA1360
22	Knob	DAA1361
23	Knob	DAA1362
24	Knob	DAA1366
25	Power Knob	DAC2306
26	Slider Knob 1	DAC2684
27	Slider Knob 2	DAC2685
NSP 28	Plate	DAH3091
29	Panel	DAH3103
30	Sheet	DEC3674
⚠ 31	Barrier	DEC3707
NSP 32	DS Tape	DEH1085
NSP 33	DS Tape	DEH1088
34	Stay	DNH3266
35	Stay	DNH3267
36	Stay	DNH3268
37	Stay	DNH3274

<u>Mark No.</u>	<u>Description</u>	<u>Part No.</u>
38	Stopper/SLD	DNK6009
NSP 39	Ring	DNK6619
40	Hook/CRD	DNK6084
41	Knob	DNK6629
42	Chassis	DNK6602
43	Earth Terminal	DKE1015
44	•••••	
45	•••••	
46	Nut (M12)	NKX2FNI
47	Washer	WA62D120D050
48	Spring Lock Washer	WS40FNI
49	Washer	YC60FAC
50	Screw (M3*5)	DBA1340
51	Screw	BBZ26P060FTB
52	Screw	BBZ30P060FTC
53	Screw	BBZ30P080FTB
54	Screw	BPZ20P060FTC
55	Screw	BPZ30P080FNI
56	Screw	BPZ30P100FTB
57	Screw	PPZ30P080FTB
NSP 58	Label	See Contrast table (2)

Note:

Plate (No.28: DAH3091) is bonded to the double-sided tape in the Control Panel (No.47: DNK6603), it is difficult to replacement.

When replacing the plate (No.28: DAH3091), please order the following service parts Ass'y.

Mark	No.	Part Name	Part No.
		DDJ-RR Panel Service Assy	DEA1051
		Component part	
NSP	28	Plate	DAH3091
	29	Panel	DAH3103
	30	Sheet	DEC3674
NSP	32	DS Tape	DEH1085
NSP	33	DS Tape	DEH1088
NSP	39	Ring	DNK6619
	36	Fader Packing	DEC3355
	37	Packing/TMP	DEC3392
NSP	47	Control Panel	DNK6603

(2) CONTRAST TABLE

DDJ-RR/LSYXJ, UXJCB and XJCN are constructed the same except for the following:

Mark	No.	Symbol and Description	DDJ-RR/LSYXJ	DDJ-RR/UXJCN	DDJ-RR/XJCN
NSP	58	Label	Not used	Not used	DRW2706

EXTERIOR SECTION (2/2) PARTS LIST

	<u>Mark No.</u>	<u>Description</u>	<u>Part No.</u>	<u>Mark No.</u>	<u>Description</u>	<u>Part No.</u>
A	1	PNL1 Assy	DWX3896	46	CDC Stopper	DNK5863
	2	PNL2 Assy	DWX3919	NSP 47	Control Panel	DNK6603
	3	MIXR Assy	DWX3899	48	•••••	
	4	CDC Assy	DWX3894	49	•••••	
	5	PAD Assy	DWX3902	50	Screw	BBZ30P060FTC
	6	FFC	DDD1773	51	Screw	BPZ30P080FNI
	7	FFC	DDD1774	52	Screw	IMZ30P040FTC
	8	FFC	DDD1775	53	Screw	PMH20P040FTC
	9	FFC	DDD1776			
	10	FFC	DDD1777			
B	11	FFC	DDD1782			
	12	FFC	DDD1783			
	13	SW Cap	DAC2753			
	14	Button	DAC3236			
	15	Button/MT	DAC2875			
	16	Button	DAC3152			
	17	Button	DAC3205			
	18	Button	DAC3206			
	19	Button	DAC3207			
	20	Button	DAC3208			
C	21	Button	DAC3209			
	22	Button	DAC3210			
	23	Button	DAC3212			
	24	Button	DAC3213			
	25	Button	DAC3214			
	26	Button	DAC3215			
	27	Button	DAC3216			
	28	Button	DAC3217			
	29	Button	DAC3218			
	30	Button	DAC3219			
D	31	Button	DAC3220			
	32	Button	DAC3221			
	33	Button	DAC3222			
	34	Button	DEB2035			
	35	Gasket	DEC3719			
	36	Fader Packing	DEC3355			
	37	Packing/TMP	DEC3392			
	38	Sheet	DEC3671			
	39	Sheet	DEC3672			
	40	Sheet	DEC3673			
E	⚠ 41	Barrier	DEC3706			
	42	Plate/CND	DNH3137			
	43	Stay	DNH3264			
	44	Stay	DNH3265			
	45	Stay	DNH3273			
F						

12. PCB PARTS LIST

NOTES: ● Parts marked by "NSP" are generally unavailable because they are not in our Master Spare Parts List.

● The Δ mark found on some component parts indicates the importance of the safety factor of the part. Therefore, when replacing, be sure to use parts of identical designation.

● When ordering resistors, first convert resistance values into code form as shown in the following examples.

Ex.1 When there are 2 effective digits (any digit apart from 0), such as 560 ohm and 47 k ohm (tolerance is shown by J = 5%, and K = 10%).

560 Ω \rightarrow 56 $\times 10^1$ \rightarrow 561 RD1/APU $\begin{matrix} 5 & 6 & 7 \\ \hline \end{matrix}$ J

47 k Ω \rightarrow 47 $\times 10^3$ \rightarrow 473 RD1/APU $\begin{matrix} 4 & 7 & 3 \\ \hline \end{matrix}$ J

0.5 Ω \rightarrow R50 RN2H $\begin{matrix} R & 5 & 0 \\ \hline \end{matrix}$ K

1 Ω \rightarrow 1R0 RSIP $\begin{matrix} 1 & R & 0 \\ \hline \end{matrix}$ K

Ex.2 When there are 3 effective digits (such as in high precision metal film resistors).

5.62 k Ω \rightarrow 562 $\times 10^1$ \rightarrow 5621 RN1/4PC $\begin{matrix} 5 & 6 & 2 & 1 \\ \hline \end{matrix}$ F

Mark No. Description Part No. Mark No. Description Part No.

LIST OF ASSEMBLIES

	1..MAIN ASSY	DWX3893
NSP	1..PNL1 ASSY	DWM2622
	2..PNL1 ASSY	DWX3896
	2..HOLD ASSY	DWX3917
NSP	1..PNL2 ASSY	DWM2628
	2..PNL2 ASSY	DWX3919
	2..HOLD ASSY	DWX3917
	1..MIXA ASSY	DWM2623
	2..MCVR ASSY	DWX3897
	2..PWSW ASSY	DWX3898
	2..MIXR ASSY	DWX3899
	2..MBJK ASSY	DWX3900
	2..HPJK ASSY	DWX3901
NSP	1..PADJ ASSY	DWM2632
	2..CDC ASSY	DWX3894
	2..PAD ASSY	DWX3902
	2..JOG ASSY	DWX3903

Mark No. Description Part No.

A MAIN ASSY SEMICONDUCTORS

Δ	IC 201,202	MM3411A33N
Δ	IC 203,401	BD9328EFJ
Δ	IC 204,206	BD9851EFV
	IC 205	S-80942CNMC-G9C
	IC 207	NJM2886DL3-05

NSP	IC 601	R5S72690RW266FP
	IC 602	DYW1928*
	*Part number of the initial firmware equipped	
	IC 603	S-80927CNMC-G8X
	IC 604	TC7WZ08FK
	IC 606	TC74HC4052AFT
	IC 901,1101	AK4382AVT
	IC 902,903,1001,1102	NJM4580MD
	IC 1103,1201,1301,1303	NJM4580MD
	IC 1202	AK4387ET

	IC 1302,1402,1502	AK5358AET
	IC 1401,1403,1501	NJM4580MD
	Q 201,203,413,432	LTC124EUB

Q 202	RTQ040P02
Q 204,428,430	LSC4081UB
Q 205,208	RSR020P05
Q 206,209	RTQ045N03
Q 207,418	RN4983
Q 401,404,414,901	LSCR523UB
Δ Q 402,410,411	RTQ040P02
Q 403,609,611,614	LTA024EEB
Q 405,409,412,601	RN1903
Δ Q 406,415	RSQ035P03
Q 407,425-427,429	LSAR523UB
Q 431,903	LSAR523UB
Q 602,604,606	2SB1689
Q 603,605	RN1903
Q 610,612,615,616	LTC024EEB
Δ Q 613	RTQ045N03
Q 902	LSCR523UB
Q 1301,1303,1402,1403	INC2002AC1
Q 1302,1401,1502	LTA024EEB
Q 1501	INC2002AC1
D 203,406,408,412	DA2J101
D 205,211-215,402	RB551VM-30

D 206-209	DB2J41100
D 403,407,415	RB060M-30
D 405	DZ2J075M0
D 410	DZ2J150M0
D 413	DZ2J051M0
D 414,417	DA2J101
D 1301,1302,1402,1403	DAN217UM
D 1501	DAN217UM
D 1502	DZ2S180C

MISCELLANEOUS

L 201 SMD SPL INDUCTOR	DTH1213
L 202-205 POWER INDUCTOR	ATH7011
L 206 CHOKE COIL	CTH1426
L 207,603,604 INDUCTOR	CTF1793
L 209,210,213-216 INDUCTOR	CTF1389
L 301-311,605,606 INDUCTOR	CTF1786
L 401 COIL	CTH1475
L 601 COIL	ATH7015
L 611,616,618-623 INDUCTOR	CTF1786
L 628,630,631 INDUCTOR	CTF1786
L 1301,1401,1501 CHIP COIL	BTH1104
JA 401 DC POWER JACK	DKN1649
JA 601 USB CONNECTOR	DKN1237

Mark	No.	Description	Part No.	Mark	No.	Description	Part No.
	JA 1301,1401	RCA JACK	DKB1120	R	641,646		RS1/16SS1502D
	JA 1501	6.5 DIA JACK	DKN1653	R	643,648		RS1/16SS1202D
	KN201-204	WRAPPING TERMINAL	CKF1089	R	664		RS1/16SS2402D
	S 1301,1401	SLIDE SWITCH	DSH1025	R	684		RS1/10SR102J
	X 601	RESONATOR	CSS1760	R	698		RS1/16SS5601D
	X 602	CRYSTAL RESONATOR	CSS1840	R	701,909,926-933		RS1/10SR0R0J
	X 603	CRYSTAL (22.5792 MHz)	DSS1202	R	746		RS1/16SS6201D
	CN 101,102	CONNECTOR 40PIN	DKN1481	R	754-756,968,1150		RS1/4SA0R0J
	CN 103	16P FFC CONNECTOR	DKN1453	R	842		RS1/16SS1002D
	CN 104,106,107	CONNECTOR 30PIN	DKN1480	R	910-917,1110-1117		RS1/10SR3301D
	CN 105	3P JUMPER CONNECTOR	52147-0310	R	918-925,1118-1125		RN1/16SE1202D
	CN 108-110	10P CONNECTOR	AKN7041	R	942-949,1142-1149		RS1/10SR2701D
	1001	PHONE SHIELD	DNF1875	R	973,976,1109		RS1/10SR0R0J
	1004	SHIELD CASE	DNF1994	R	990-993,1002,1011		RS1/10SR103J
	1005	SHIELD CASE	DNF1995	R	1003,1004		RS1/10SR1001D
	1006	SHIELD CASE	DNF2007	R	1005,1006,1331,1339		RS1/10SR8201D
⚠	P 402	PROTECTOR (3.000 A)	DEK1103	R	1007,1008		RN1/16SE2702D
⚠	P 601	PROTECTOR (1.750 A)	DEK1100	R	1126-1133,1153,1154		RS1/10SR0R0J
	VA 401,1301,1302,1401	VARISTORS	EZJZ1V270RM	R	1151,1152,1155,1156		RS1/10SR103J
	VA 1404,1501	VARISTORS	EZJZ1V270RM	R	1201,1202		RS1/10SR5601D
				R	1203,1204,1207,1208		RN1/16SE6802D
				R	1205,1206		RS1/10SR5101D
RESISTORS							
	R 202,205,214,218		RS1/10SR103J				
	R 203,236,245		RS1/10SR1502D	R	1209,1210		RS1/10SR4701D
	R 207,683		RS1/10SR104J	R	1219		RS1/10SR100J
	R 212,246,248,264		RS1/10SR220J	R	1220		RS1/4SA0R0J
	R 213		RS1/16SS3301D	R	1240,1241,1307		RS1/10SR0R0J
				R	1306,1334,1406,1434		RS1/10SR103J
	R 215		RS1/16SS6800D				
	R 216,407,645,649		RS1/16SS1002D	R	1308,1337,1408,1435		RS1/10SR5100D
	R 219-222		RS1/4SA270J	R	1309,1338,1409,1436		RN1/16SE2703D
	R 223,237,241,253		RS1/10SR1002D	R	1312,1313,1412,1413		RS1/10SR1201D
	R 224,238,249,267		RS1/10SR3002D	R	1320-1322,1342,1407		RS1/10SR0R0J
				R	1323,1324,1423,1424		RS1/10SR2701D
	R 225,239,252,270		RS1/10SR6802D				
	R 226		RS1/10SR5102D	R	1325,1326,1425,1426		RS1/10SR1000D
	R 228		RS1/10SR7501D	R	1327,1328,1427,1428		RS1/10SR1003D
	R 229,242,256,274		RS1/10SR5101D	R	1329,1330,1429,1430		RS1/10SR9102D
	R 240		RS1/10SR1503D	R	1332,1340,1432,1438		RS1/10SR3301D
				R	1333,1341,1433,1439		RS1/10SR2202D
	R 247,265,283,424		RS1/10SR472J				
	R 250,268,613,653		RS1/10SR105J	R	1336,1401,1421,1422		RS1/10SR101J
	R 251,269,275		RS1/10SR6201D	R	1411,1522,1524		RS1/10SR1002D
	R 255		RS1/10SR1203D	R	1420,1440,1503,1516		RS1/10SR0R0J
	R 257		RS1/10SR2002D	R	1431,1437		RS1/10SR8201D
				R	1501		RN1/16SE2200D
	R 260,278,281,282		RS1/8SQ0R0J				
	R 263		RS1/10SR1202D	R	1502		RS1/10SR101J
	R 266,409		RS1/10SR220J	R	1508		RS1/10SR103J
	R 271,1310,1311,1410		RS1/10SR1002D	R	1514		RS1/10SR9101D
	R 273,285		RS1/10SR4702D	R	1517		RN1/16SE1003D
				R	1518,1523,1525		RS1/10SR1201D
	R 279,291,293-295		RS1/4SA0R0J				
	R 280,284,289,394		RS1/10SR0R0J	R	1519		RN1/16SE3302D
	R 286		RS1/10SR1802D	R	1520,1521,1526		RS1/10SR0R0J
	R 287		RS1/10SR1803D	Other Resistors			RS1/16SS###J
	R 392,716,814-839		RS1/8SQ0R0J				
	R 401,418,1301,1335		RS1/10SR101J	C	201,205		CKSRYB474K16
	R 405		RS1/16SS7501D	C	203,210,417		CKSRYB105K10
	R 406		RS1/16SS3902D	C	204,213,221,288		CKSRYB103K50
	R 412,437		RS1/10SR1801D	C	206,1201,1202		CEVW470M6R3
	R 428,430,438,441		RS1/4SA6R8J	C	207,219,295,411		DCH1201
	R 436,440		RS1/16SS2702D	C	208,211,214,216		CKSRYB104K16
	R 443,444		RS1/4SA6R8J	C	218		CKSRYB222K50
	R 479,602,623,624		RS1/10SR0R0J	C	220,282,291,412		CEVW101M16
CAPACITORS							
	R 401,418,1301,1335		RS1/10SR101J	C	201,205		CKSRYB474K16
	R 405		RS1/16SS7501D	C	203,210,417		CKSRYB105K10
	R 406		RS1/16SS3902D	C	204,213,221,288		CKSRYB103K50
	R 412,437		RS1/10SR1801D	C	206,1201,1202		CEVW470M6R3
	R 428,430,438,441		RS1/4SA6R8J	C	207,219,295,411		DCH1201
	R 436,440		RS1/16SS2702D	C	208,211,214,216		CKSRYB104K16
	R 443,444		RS1/4SA6R8J	C	218		CKSRYB222K50
	R 479,602,623,624		RS1/10SR0R0J	C	220,282,291,412		CEVW101M16

Mark	No.	Description	Part No.
	C	222,232,237,253	CKSRYB105K16
	C	224,244,255,275	CCSSCH271J50
A	C	226,257	CKSSYB332K50
	C	229,234,260,265	DCH1263
	C	231	CCSSCH221J50
	C	235,266	CKSYB105K16
	C	240,271	CKSSYB682K25
	C	242,245,273,276	CKSRYB104K25
	C	243,247,274,278	CCG1236
	C	246,249,277,280	CKSQYB105K25
	C	248,250,279,281	CCSSCH102J50
	C	251,252,930,934	CEVW101M25
B	C	262	CCSSCH561J50
	C	263,267,268	CKSRYB105K16
	C	284	CKSRYB334K10
	C	287	CCG1218
	C	290	CCSSCH390J50
	C	292,1504,1506	CKSRYB104K10
	C	293,294,604,607	CKSSYB104K10
	C	401	CCG1221
	C	402,404,701	CKSRYB104K16
	C	405,406,410,429	CKSRYB103K50
C	C	413	CEVW470M16
	C	414	ACE7129
	C	415,618-620	CKSSYB103K16
	C	416,419,420,426	CKSSYB104K16
	C	418,1225,1226,1304	CKSRYB104K50
	C	425,611,641,647	CKSSYB102K50
	C	427,658	DCH1201
	C	428,908,1110	CCH1565
	C	431	CKSQYB104K25
	C	434,436,437	CKSSYB104K16
	C	435,438,925,928	CKSRYB104K25
	C	439-442,1301,1401	CKSSYB104K16
D	C	601-603,683,684	CCSSCH120J50
	C	605	CCSSCH100D50
	C	608,612-614,645	CKSSYB104K10
	C	609,610	CCH1961
	C	615,616	CKSSYB471K50
	C	622-626,628-640	CKSSYB103K16
	C	642,644,646,650	CKSSYB103K16
	C	648,663-665,678	CKSSYB102K50
	C	653-655,659-662	CKSSYB103K16
	C	656,657,670-672	CKSSYB104K10
	C	674,675,679	CKSSYB103K16
E	C	676	CKSQYB105K25
	C	677,680,697,698	CKSSYB104K10
	C	681	CCSSCH470J50
	C	685-695,901,1101	CKSSYB103K16
	C	696	CKSRYB224K16
	C	700,702,704,706	CKSSYB104K10
	C	703,705,707,708	CKSRYB471K50
	C	709,712,715,718	CKSSYB104K10
	C	720,722,905,1105	CKSSYB104K10
	C	904,1104	CKSSYB102K50
F	C	909-912,1111-1114	CCSRCH102J50
	C	917-924,1119-1126	CCSRCH271J50
	C	931	CKSSYB103K25
	C	951-954,1106,1107	CEVW101M25

Mark	No.	Description	Part No.
	C	1005,1006,1129-1132	CEVW101M16
	C	1141,1142,1514,1515	CKSRYB104K25
	C	1203,1204	CCSRCH272J50
	C	1205,1206,1509	CCSRCH471J50
	C	1207,1208	CCSRCH220J50
	C	1213,1316,1415	CKSSYB103K16
	C	1214	CEVW220M6R3
	C	1215,1218,1309,1314	CKSSYB104K10
	C	1219,1312,1324,1325	CEVW101M16
	C	1303,1329,1403,1425	ACE7125
	C	1305,1307,1404,1518	CKSRYB104K50
	C	1306,1320-1323,1405	CCSRCH102J50
	C	1310,1311,1326,1332	CEVW220M16
	C	1313,1413,1502,1505	CEVW100M16
	C	1315,1408,1507	CKSRYB225K6R3
	C	1327,1333,1417,1429	DCG1049
	C	1409,1414	CKSSYB104K10
	C	1410,1411,1416,1428	CEVW220M16
	C	1412,1422,1423,1503	CEVW101M16
	C	1418-1421,1501	CCSRCH102J50
	C	1508	CCSRCH222J50
	C	1510	CEVW101M16
	C	1511	CKSSYB104K16
	C	1519	CEVW100M16

B PWSW ASSY
MISCELLANEOUS

S	2701	PUSH SW	ASG1102
JH	2701	3P CABLE HOLDER	51048-0300
JP	2701	JUMPER WIRE	D20PDY0305E

RESISTORS

All Resistors	RS1/10SR###J
---------------	--------------

C MIXR ASSY
SEMICONDUCTORS

IC	3001,3002	TC74HC4051AF
Q	3001,3002,3101,3103	LTC124EUB
Q	3102,3104,3106,3108	2SB1689
Q	3105,3107,3109,3112	LTC124EUB
Q	3110,3113,3118,3120	2SB1689
Q	3111,3114,3116,3117	LSAR523UB
Q	3115,3119	LTC124EUB
Q	3121,3122,3127,3128	LSAR523UB
Q	3123-3126	LSCR523UB
D	3001-3015	DA2J101
D	3101-3104,3131	LTL17KRH5D
D	3105-3112,3126-3128	LTL17KSL5D
D	3113-3116,3118-3120	LTL17KGH5D
D	3117,3121,3129,3130	LTL17KCBH5D
D	3122-3124,3133,3134	LTL17KGH5D
D	3125,3132	SLR343WBC7T
D	3135,3136	LTL17KSL5D

MISCELLANEOUS

VR	3001-3005,3007,3009	ROTARY VR	DCS1116
VR	3006,3008,3010,3014	ROTARY VR	DCS1117
VR	3011,3013	ROTARY VR	DCS1116
VR	3012,3016	VARIABLE RESISTOR	DCV1024

Mark No.	Description	Part No.
VR 3015	ROTARY VR	DCS1117
VR 3601	VARIABLE RESISTOR	DCV1023
S 3001-3005,3008,3010	TACT SWITCH	DSG1079
S 3006,3007	SLIDE SWITCH	DSH1058
S 3009	ROTARY ENCODER	DSX1133
S 3011	TACT SWITCH	DSG1079
CN 3001	30P CONNECTOR	VKN1261
CN 3002	4P CONNECTOR	VKN1819
9812	MIXR ASSY	DWX3899

RESISTORS

All Resistors

RS1/10SR###J

CAPACITORS

C 3001-3004,3008-3011
 C 3005,3012-3019,3025
 C 3021,3022,3024
 C 3023
 C 3028-3031

CKSRYB471K50
 CKSRYB104K16
 CKSRYB471K50
 DCH1201
 CKSRYB471K50

C 3032-3034,3036,3037
 C 3039,3043,3045,3047
 C 3041,3042
 C 3046,3048
 C 3601

CKSRYB104K16
 CKSRYB104K16
 CKSRYB103K50
 CEJQ101M16
 CKSRYB104K16

D MCVR ASSY**MISCELLANEOUS**

VR 2501 ROTARY VR
 CN 2501 4P CONNECTOR

DCS1071
 VKN1264

CAPACITORS

C 2501

CKSRYB104K16

E MBJK ASSY
SEMICONDUCTORS

Q 3301-3304,3311-3316
 D 3301-3304,3307-3310

INC2002AC1
 DZ2S180C

MISCELLANEOUS

JA 3301,3302 CANON CONNECTOR
 JA 3303 RCA JACK
 JA 3304,3305 6.5 DIA JACK
 CN 3301 16P CONNECTOR
 VA 3301,3304,3305 VARISTORS

DKB1093
 DKB1120
 DKN1653
 VKN1247
 EZJZ1V270RM

RESISTORS

R 3305-3308,3311,3312
 R 3315,3316,3338,3339
 R 3327,3328
 R 3342,3343,3355-3358
 Other Resistors

RS1/4SA471J
 RS1/4SA471J
 RS1/10SR6800D
 RS1/4SA471J
 RS1/10SR###J

CAPACITORS

C 3301-3304,3309,3310
 C 3313-3316
 C 3317,3323,3325
 C 3322,3324,3326

ACE7116
 ACE7116
 CCSRCH102J50
 CKSRYB104K50

F HPJK ASSY
SEMICONDUCTORS

IC 3401

NJM4580MD

Mark No.	Description	Part No.
Q 3401,3402		2SK209
Q 3403,3404		INC2002AC1
Q 3405,3407		KTC3209
Q 3406,3408		KTA1281

MISCELLANEOUS

L 3401-3405 INDUCTOR
 JA 3401 HEADPHONE JACK
 JA 3402 STEREO MINI JACK
 KN 3401 SCREW PLATE
 VR 3401 ROTARY VR

CTF1389
 DKN1622
 XKN3017
 VNE1948
 DCS1071

CN 3401 10P CONNECTOR
 VA 3401,3403 VARISTORS

VKN1853
 EZJZ1V270RM

RESISTORS

R 3409,3410
 R 3411,3412
 R 3418,3420
 R 3421,3422
 R 3423,3425

RS1/10SR1002D
 RN1/16SE1002D
 RS1/8SQ680J
 RS1/10SR1001D
 RS2LMF220J

Other Resistors

RS1/10SR###J

CAPACITORS

C 3401,3402,3421,3422
 C 3403,3419
 C 3408
 C 3409,3410
 C 3411,3412

CKSRYB473K50
 CKSRYB104K50
 CKSRYB104K16
 DCH1344
 CEJQ220M50

C 3414,3415
 C 3418,3420

CCSRCH391J50
 CCSRCH102J50

G PNL1 ASSY
SEMICONDUCTORS

IC 2001
 IC 2002
 Q 2001-2003,2006,2008
 Q 2007,2009,2011,2013
 Q 2010,2012,2014,2016

TC74HC4051AF
 PE0005A8
 LTC124EUB
 2SB1689
 LTC124EUB

Q 2015,2017,2019,2055
 Q 2018,2054
 Q 2022,2023,2037
 Q 2026-2034,2053,2058
 Q 2051,2052

2SB1689
 LTC124EUB
 LSCR523UB
 LSAR523UB
 2SC4154-11

Q 2059
 D 2001-2012,2017-2019
 D 2013,2058
 D 2022,2024,2052,2053
 D 2026-2031,2033,2034

LSAR523UB
 DA2J101
 LTL17KGH5D
 DA2J101
 LTL17KCBH5D

D 2036-2040,2049,2056
 D 2048,2050,2057
 D 2051
 D 2059
 D 2060-2065

LTL17KSL5D
 LTL17KRH5D
 RB501VM-40
 SLR343WBC7T
 LTL17KRH5D

D 2069-2073
 D 2074,2075

DA2J101
 MC2848-11

MISCELLANEOUS

L 2001,2002,2004 INDUCTOR
 KN 2001 EARTH TERMINAL
 VR 2001-2003 ROTARY VR
 VR 2004 VARIABLE RESISTOR
 S 2001,2005-2010 TACT SWITCH

CTF1379
 AKF7002
 DCS1116
 DCV1011
 DSG1079

Mark	No.	Description	Part No.
	S	2002,2003 TACT SWITCH	DSG1117
A	S	2012-2018,2022-2025 TACT SWITCH	DSG1079
	S	2021 ROTARY ENCODER	DSX1133
	S	2027-2032 TACT SWITCH	DSG1079
	CN	2003 40P CONNECTOR	VKN2007
	CN	2004 8P CONNECTOR	VKN1239
	PC	2001,2002 PHOTO INTERRUPTER	RPI-579N1
	VA	2001,2002 SMD VARISTOR	EZJZ1V80010

RESISTORS

R	2002	RS1/4SA223J
R	2041,2267-2269	RS1/4SA0R0J
R	2159,2160	DCN1187
R	2161	RS1/10SR2202D
R	2264,2265	RS1/10SR2201D
Other Resistors		RS1/10SR###J

CAPACITORS

C	2003,2004,2009,2017	CKSRYB104K16
C	2005,2008,2012-2015	CKSRYB471K50
C	2018,2020,2027,2029	CKSRYB104K16
C	2019,2021,2034,2036	DCH1263
C	2026	CCSRCH221J50
C	2028,2037	DCH1201
C	2030	CEJQ101M16
C	2032,2033,2035	CKSRYB104K16
C	2038,2039	CKSRYB392K50

H PNL2 ASSY SEMICONDUCTORS

IC	2001	TC74HC4051AF
IC	2002	PE0005A8
Q	2001-2003,2006,2008	LTC124EUB
Q	2007,2009,2011,2013	2SB1689
Q	2010,2012,2014,2016	LTC124EUB
Q	2015,2017,2019,2055	2SB1689
Q	2018,2054	LTC124EUB
Q	2022,2023,2037	LSCR523UB
Q	2026-2034,2053,2058	LSAR523UB
Q	2051,2052	2SC4154-11
Q	2059	LSAR523UB
D	2001-2012,2017-2019	DA2J101
D	2013,2058	LTL17KGH5D
D	2022,2024,2052,2053	DA2J101
D	2026-2031,2033,2034	LTL17KCBH5D

MISCELLANEOUS

L	2001,2002,2004 INDUCTOR	CTF1379
KN	2001 EARTH TERMINAL	AKF7002
VR	2001-2003 ROTARY VR	DCS1116
VR	2004 VARIABLE RESISTOR	DCV1011
S	2001,2005-2010 TACT SWITCH	DSG1079
S	2002,2003 TACT SWITCH	DSG1117

Mark	No.	Description	Part No.
S	2012-2018,2022-2025	TACT SWITCH	DSG1079
S	2021	ROTARY ENCODER	DSX1133
S	2027-2031	TACT SWITCH	DSG1079
CN	2003	40P CONNECTOR	VKN2007
CN	2004	8P CONNECTOR	VKN1239
PC	2001,2002	PHOTO INTERRUPTER	RPI-579N1
VA	2001,2002	SMD VARISTOR	EZJZ1V80010

RESISTORS

R	2002	RS1/4SA223J
R	2041,2267-2269	RS1/4SA0R0J
R	2159,2160	DCN1187
R	2161	RS1/10SR2202D
R	2264,2265	RS1/10SR2201D
Other Resistors		RS1/10SR###J

CAPACITORS

C	2003,2004,2009,2017	CKSRYB104K16
C	2005,2008,2012-2015	CKSRYB471K50
C	2018,2020,2027,2029	CKSRYB104K16
C	2019,2021,2034,2036	DCH1263
C	2026	CCSRCH221J50
C	2028,2037	DCH1201
C	2030	CEJQ101M16
C	2032,2033,2035	CKSRYB104K16
C	2038,2039	CKSRYB392K50

I CDC ASSY SEMICONDUCTORS

IC	1601	AD7147ACPZ500RL7
D	1601	DZ2J056M0

MISCELLANEOUS

CN	1601	08P CONNECTOR	VKN1468
----	------	---------------	---------

RESISTORS

All Resistors		RS1/16SS###J
---------------	--	--------------

CAPACITORS

C	1602	CKSSYB103K16
C	1603	CKSSYB104K16
C	1604	CCG1192
C	1605,1609	CCSSCH101J50

J PAD ASSY SEMICONDUCTORS

Q	4001,4002,4050-4052	LTC124EUB
Q	4003-4008,4010-4012	LSAR523UB
Q	4009,4017,4025,4033	RN1903
Q	4013,4021,4029,4037	2SB1689
Q	4014-4016,4018-4020	LSAR523UB
Q	4022-4024,4026-4028	LSAR523UB
Q	4030-4032,4034-4036	LSAR523UB
Q	4038-4040	LSAR523UB
Q	4041-4047,4049	LSCR523UB
Q	4048,4053-4055	2SB1689
D	4001-4004,4025-4032	DA2J101
D	4005-4008	DAN202UM
D	4009-4020	SMLVN6RGB2UK
D	4033-4040	RB551VM-30

Mark	No.	Description	Part No.
------	-----	-------------	----------

MISCELLANEOUS

S	4001-4004	TACT SWITCH	DSG1079
CN	4001	30P CONNECTOR	VKN1620

RESISTORS

R	4001,4002,4090-4092	RS1/16SS223J
R	4003,4024,4039,4051	RS1/16SS621J
R	4028,4040,4052,4064	RS1/16SS103J
R	4029,4041,4053,4065	RS1/16SS563J
R	4063,4093,4096,4099	RS1/16SS621J

R	4072-4075,4077,4078	RS1/16SS682J
R	4076	RS1/16SS332J
R	4079,4094,4097	RS1/16SS103J
R	4080	RS1/16SS682J
R	4081-4087,4089	RS1/16SS473J

R	4088,4095,4098	RS1/16SS563J
	Other Resistors	RS1/10SR###J

**JOG ASSY****SEMICONDUCTORS**

Q	1801-1807,1810	LSAR523UB
Q	1811-1813	LSCR523UB
D	1801-1803	SMLVN6RGB2UK

MISCELLANEOUS

CN	1801	10P CONNECTOR	AKN7041
----	------	---------------	---------

RESISTORS

R	1817,1819	RS1/16SS682J
R	1818	RS1/16SS512J
R	1820-1822	RS1/16SS473J
	Other Resistors	RS1/10SR###J

**HOLD ASSY**

There is no service parts.