

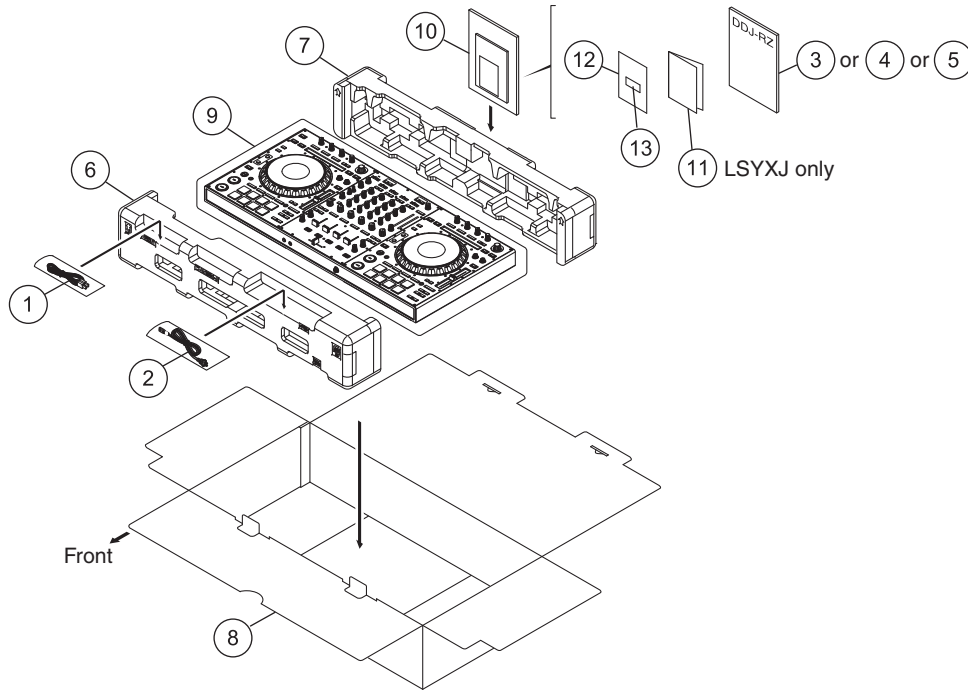



9. EXPLODED VIEWS AND PARTS LIST

- NOTES:
- Parts marked by "NSP" are generally unavailable because they are not in our Master Spare Parts List.
 - The  mark found on some component parts indicates the importance of the safety factor of the part. Therefore, when replacing, be sure to use parts of identical designation.
 - Screws adjacent to  mark on product are used for disassembly.
 - For the applying amount of lubricants or glue, follow the instructions in this manual. (In the case of no amount instructions, apply as you think it appropriate.)

9.1 PACKING SECTION




(1) PACKING SECTION PARTS LIST

Mark No.	Description	Part No.	Mark No.	Description	Part No.
	1 USB Cable	DDE1128	5	Operating Instructions (Quick Start Guide)	See Contrast table (2)
	2 Power Cord	See Contrast table (2)	6	Pad/F	DHA1914
	3 Operating Instructions (Quick Start Guide)	See Contrast table (2)	7	Pad/R	DHA1915
	4 Operating Instructions (Quick Start Guide)	See Contrast table (2)	8	Packing Case	See Contrast table (2)
			9	Mirror Mat (1200*1000)	DHL1169
			NSP 10	Polyethylene Bag	AHG7117
			NSP 11	Warranty	See Contrast table (2)
			NSP 12	Leaflet	DRM1410
			NSP 13	rekordbox dj license key	DXA2304

(2) CONTRAST TABLE

DDJ-RZ/UXJCB, LSYXJ and XJCN are constructed the same except for the following:

Mark	No.	Symbol and Description	DDJ-RZ/UXJCB	DDJ-RZ/LSYXJ	DDJ-RZ/XJCN
	2	Power Cord	DDG1108	ADG1244	DDG1114
	3	Operating Instructions (Quick Start Guide) (En, Fr, De, It, Ne, Es, Pt, Ru)	Not used	DRH1327	Not used
	4	Operating Instructions (Quick Start Guide)(En)	DRH1326	Not used	Not used
	5	Operating Instructions (Quick Start Guide)(Zhcn)	Not used	Not used	DRH1328
	8	Packing Case	DHG3417	DHG3416	DHG3419
NSP	11	Warranty	Not used	ARY7158	Not used

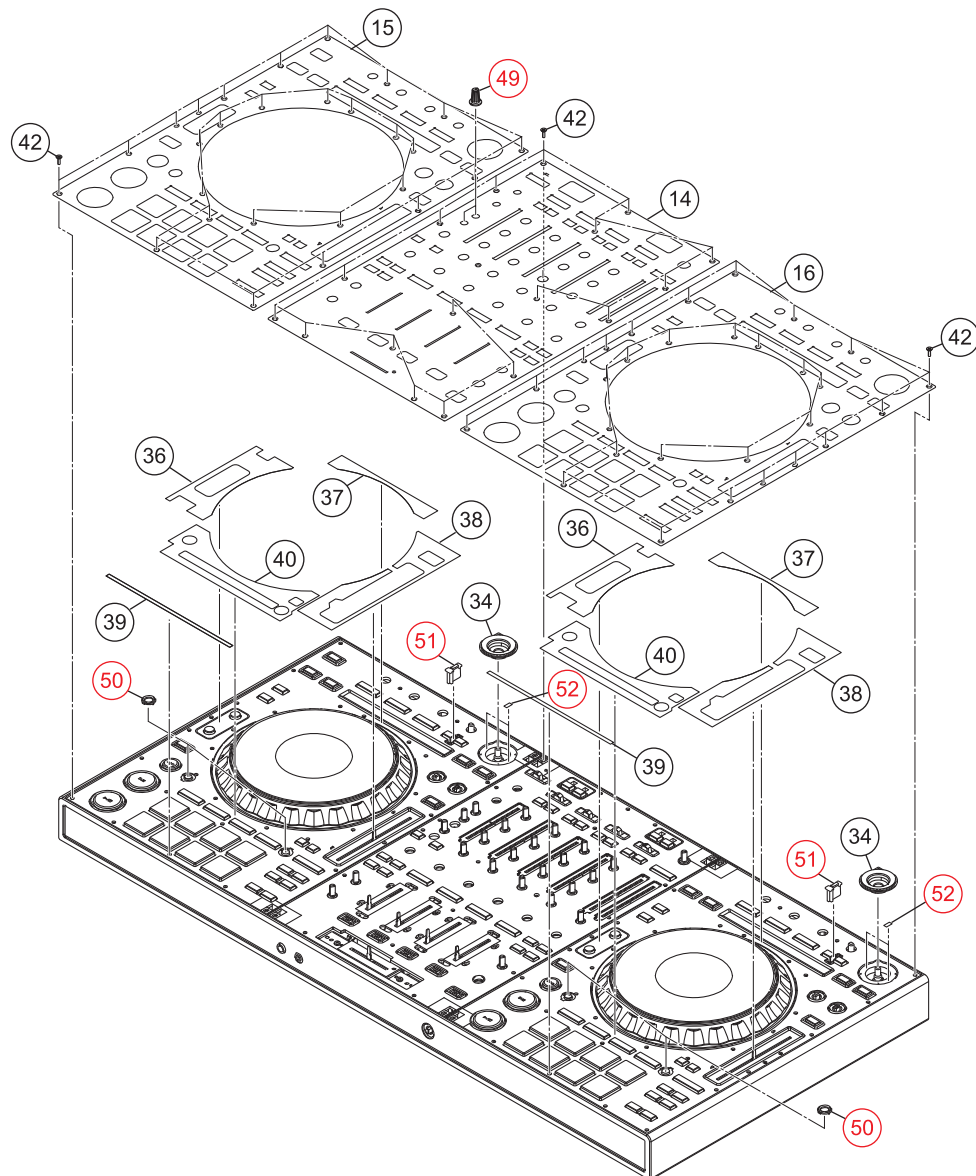
9.2 TOP and CHASSIS SECTION

DDJ-SZ/UXJCB and DDJ-RZ/UXJCB, LSXXJ, XJCN are constructed the same except for the following:

For convenience of the system, the part names for the DDJ-RZ are simplified. The part names in parentheses are those for the DDJ-SZ.

Mark	No.	Symbol and Description	DDJ-SZ/UXJCB	DDJ-RZ	Remarks
	4	Knob (Rotary SW Knob (C))	DAA1180	DAA1344	
	8	Knob/BRS (Dial Knob)	DAA1259	DAA1342	
	14	Plate (Plate/MIX)	DAH2976	DAH3045	
	15	Plate (Plate/DEL)	DAH2982	DAH3046	
	16	Plate (Plate/DER)	DAH2983	DAH3047	
	31	Chassis	DNK6286	DNK6475	
	32	Shaft (Shaft/EXT)	DNK6305	DNK6410	
	38	DS Tape (DS Tape/ALR)	DEH1050	DEH1079	
	40	DS Tape (DS Tape/PAJ)	DEH1056	DEH1080	
		Knob/EQ (Knob/SHR)	DAA1333	DAA1302	No. 49
		Escutcheon	Not used	DNK6473	No. 50
		Escutcheon	Not used	DNK6474	No. 51
		DS Tape	Not used	DEH1064	No. 52

TOP and CHASSIS SECTION



9.3 TERMINAL SECTION

DDJ-SZ/UXJCB and DDJ-RZ/LSYXJ, UXJCB, XJCN are constructed the same except for the following:

Mark	No.	Symbol and Description	DDJ-SZ/UXJCB	DDJ-RZ
A	1	MAIN Assy	DWX3535	DWX3751
	2	USBB Assy	DWX3555	DWX3752
	3	AIJK Assy	DWX3536	DWX3768
	4	AOJK Assy	DWX3537	DWX3769
	5	HPJK Assy	DWX3538	DWX3770
	6	CRFCV Assy	DWX3547	DWX3777
	7	PSWB Assy	DWX3560	DWX3755
	8	STRB Assy	DWX3585	DWX3761

B

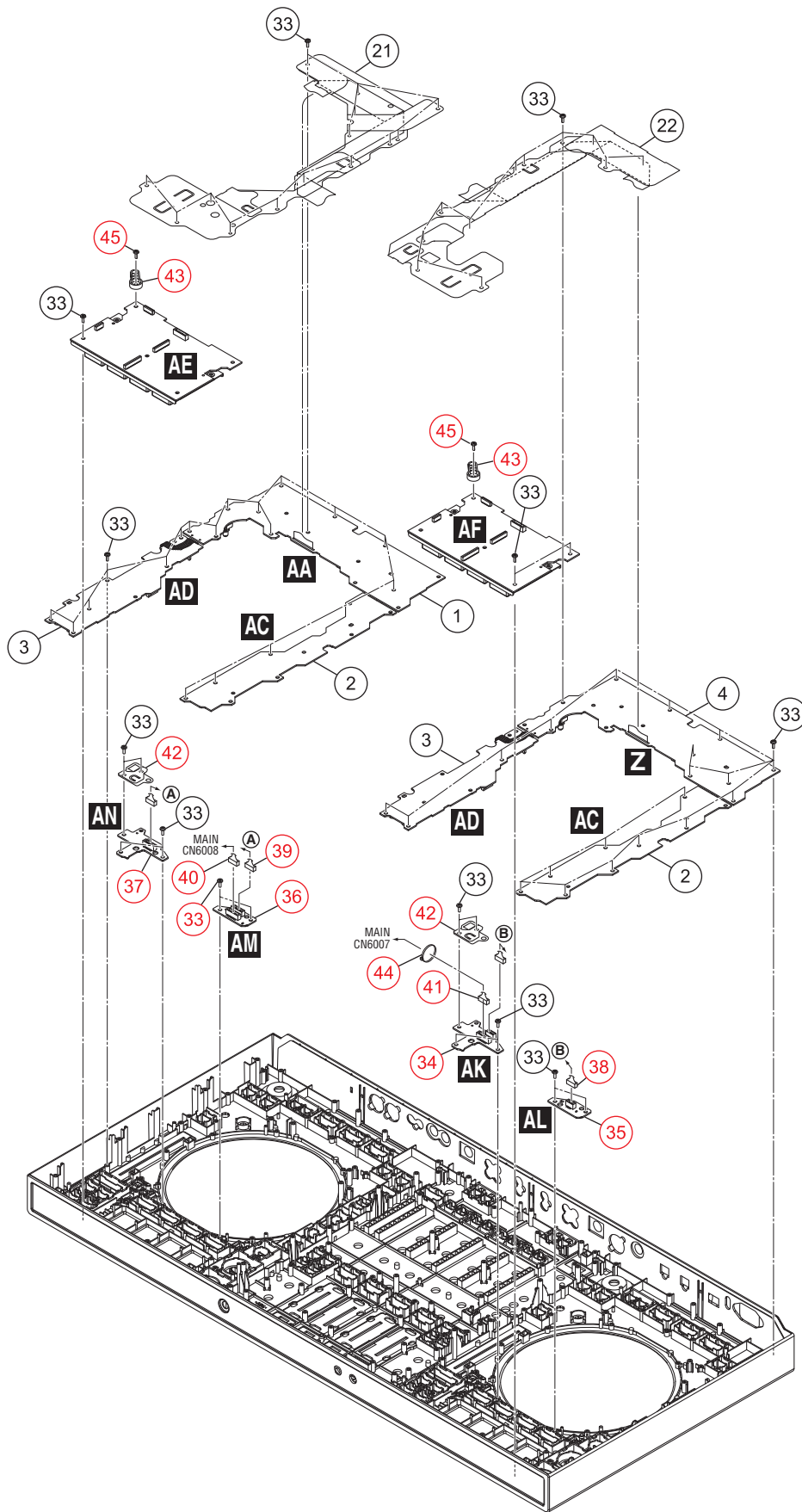
9.4 CONTROL PANEL SECTION

C DDJ-SZ/UXJCB and DDJ-RZ/LSYXJ, UXJCB, XJCN are constructed the same except for the following:

For convenience of the system, the part names for the DDJ-RZ are simplified. The part names in parentheses are those for the DDJ-SZ.

Mark	No.	Symbol and Description	DDJ-SZ/UXJCB	DDJ-RZ	Remarks
D	1	DEUP Assy	DWX3548	DWX3760	
	2	KSWB Assy	DWX3549	DWX3757	
	3	SLDB Assy	DWX3550	DWX3758	
	4	DEUPR Assy	DWX3580	DWX3762	
	21	Barrier (Barrier/DEL)	DEC3546	DEC3631	
	22	Barrier (Barrier/DER)	DEC3547	DEC3632	
		SEQL Assy	Not used	DWX3763	No. 34
		QUAL Assy	Not used	DWX3764	No. 35
		QUAR Assy	Not used	DWX3765	No. 36
		SEQR Assy	Not used	DWX3766	No. 37
E		Connector Assy	Not used	PF04PP-B17	No. 38
		Connector Assy	Not used	PF07PP-B17	No. 39
		Crimp Connector	Not used	PF08PP-B12	No. 40
		Crimp Connector	Not used	PF08PP-B17	No. 41
		Barrier	Not used	DEC3630	No. 42
	Stopper	Not used	DNK6532	No. 43	
	Binder	Not used	ZCA-SKB90BK	No. 44	
	Screw	BPZ30P080FNI	BPZ30P100FTB	No. 45	

F



9.5 MIXER SECTION

DDJ-SZ/UXJCB and DDJ-RZ/LSYXJ, UXJCB, XJCN are constructed the same except for the following:

For convenience of the system, the part names for the DDJ-RZ are simplified. The part names in parentheses are those for the DDJ-SZ.

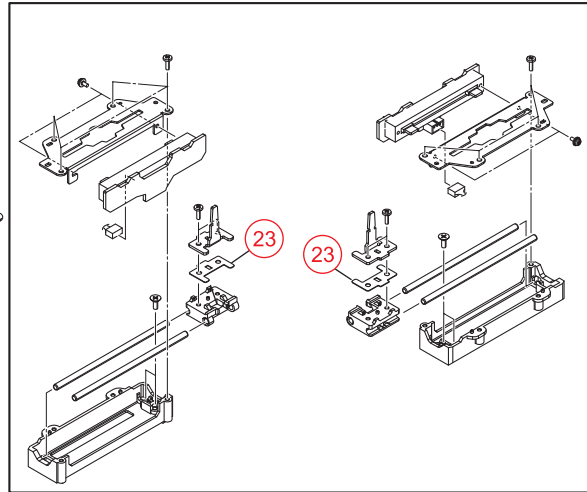
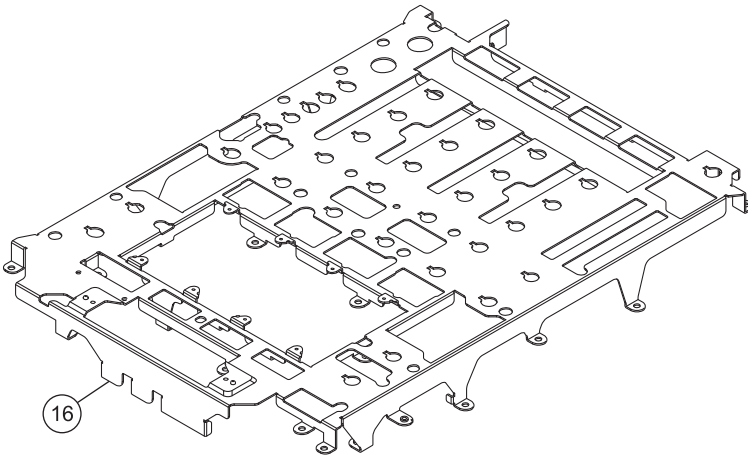
A

Mark	No.	Symbol and Description	DDJ-SZ/UXJCB	DDJ-RZ	Remarks
	1	MXRA Assy	DWX3543	DWX3753	
	2	MXRB Assy	DWX3544	DWX3767	
	3	FAD1 Assy	DWX3540	DWX3772	
	4	FAD2 Assy	DWX3541	DWX3773	
	5	FAD3 Assy	DWX3539	DWX3771	
	6	FAD4 Assy	DWX3542	DWX3774	
	16	Stay (Stay/MIX) Spacer/CHF	DND1280 Not used	DND1285 DEC3558	No. 23

B

MIXER SECTION

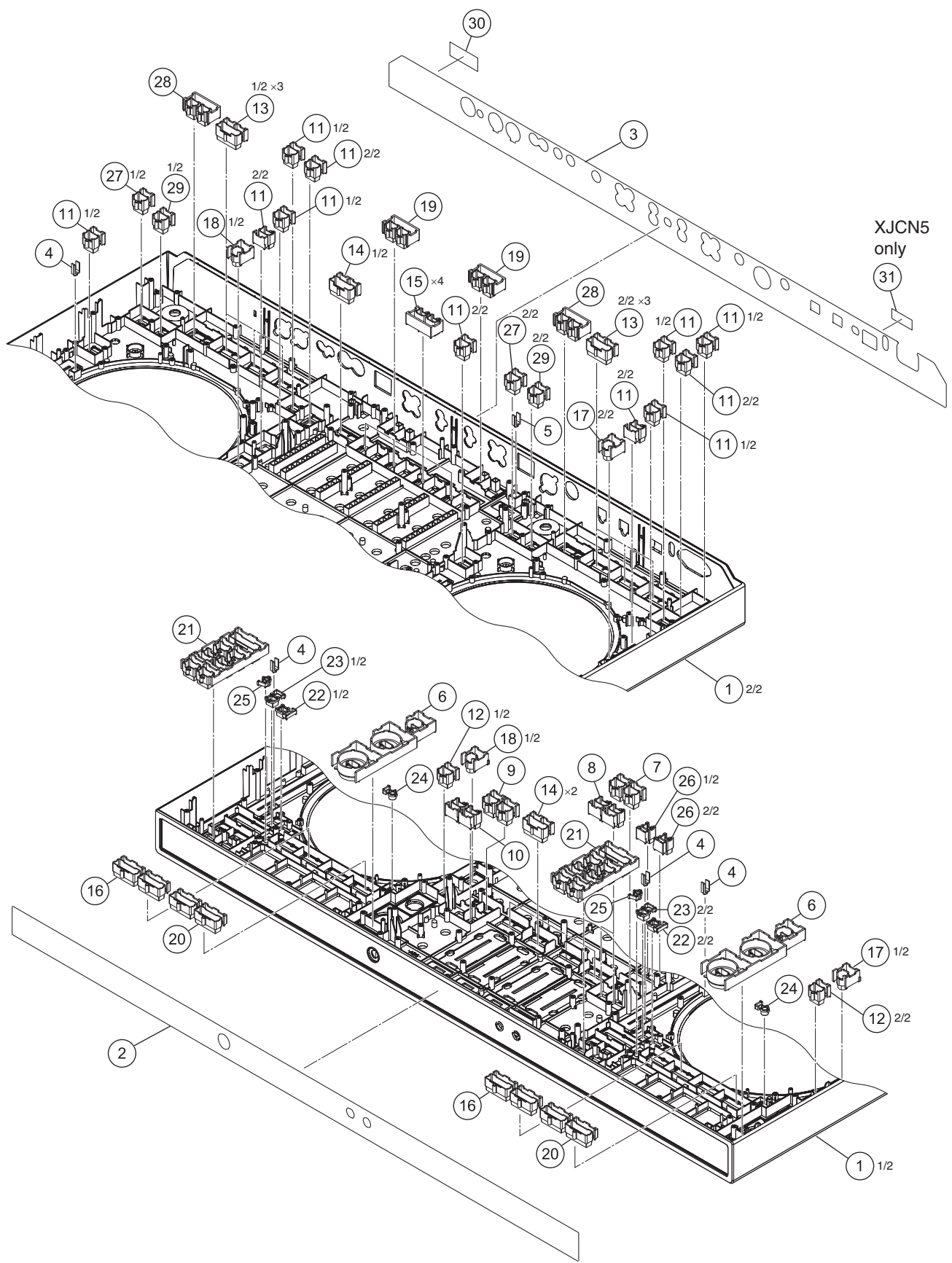
C



D

E

F



(1) PANEL and BUTTON SECTION PARTS LIST

Mark No.	Description	Part No.	Mark No.	Description	Part No.
A	1 Control Panel	DNK6531	16	Button/PM2	DAC2997
	2 Sheet	DAH3068	17	Button/DEL	DAC3000
	3 Sheet	See Contrast table (2)	18	Button/DER	DAC3001
	4 Lens/TMP	DNK6307	19	Button	DAC3156
	5 Lens/MIC	DNK6308	20	Button	DAC3158
	6 Button	DAC3161	21	Button	DAC3128
	7 Button	DAC3160	22	Button	DAC3120
	8 Button/CX2	DAC2984	23	Button	DAC3121
	9 Button	DAC3154	24	Button	DAC3122
	10 Button/FX2	DAC2986	25	Button	DAC3123
B	11 Button	DAC3125	26	Button	DAC3124
	12 Button/SHT	DAC2989	27	Button	DAC3127
	13 Button/ON	DAC2991	28	Button	DAC3157
	14 Button	DAC3155	29	Button	DAC3159
	15 Button/FX	DAC2995	NSP 30	Serial Label (UPC)	DRW2311
			NSP 31	Name Label	See Contrast table (2)

(2) CONTRAST TABLE

DDJ-RZ/UXJCB, LSYXJ and XJCN are constructed the same except for the following:

Mark	No.	Symbol and Description	DDJ-RZ/UXJCB	DDJ-RZ/LSYXJ	DDJ-RZ/XJCN
	3	Sheet	DAH3088	DAH3088	DAH3070
NSP	31	Name Label	Not used	Not used	DAL1289

9.7 JOG DIAL SECTION

DDJ-SZ/UXJCB and DDJ-RZ/LSYXJ, UXJCB, XJCN are constructed the same except for the following:

For convenience of the system, the part names for the DDJ-RZ are simplified. The part names in parentheses are those for the DDJ-SZ.

Mark	No.	Symbol and Description	DDJ-SZ/UXJCB	DDJ-RZ
	1	JFLL Assy	DWX3545	DWX3775
	2	JFLR Assy	DWX3546	DWX3776
	3	JLL1 Assy	DWX3556	DWX3778
	4	JLL2 Assy	DWX3557	DWX3779
	5	JLL3 Assy	DWX3558	DWX3781
	6	JLL4 Assy	DWX3559	DWX3782
	7	JLR1 Assy	DWX3561	DWX3783
	8	JLR2 Assy	DWX3562	DWX3784
	9	JLR3 Assy	DWX3563	DWX3785
	10	JLR4 Assy	DWX3564	DWX3786
	11	JOGTL Assy	DWX3551	DWX3754
	12	JOGTR Assy	DWX3565	DWX3756
	13	JOGR Assy	DWX3552	DWX3759
	18	Plate (Plate/JOG)	DAH2915	DAH3048
	37	Jog Dial (Jog Dial/BAS)	DNK6270	DNK6408
	38	Jog Dial (Jog Dial/A)	DNK6271	DNK6409
	39	Jog Dial (Jog Dial/B)	DNK6272	DNK6476
	47	Screw	IMZ30P060FTB	DBA1442

12. PCB PARTS LIST

NOTES: ● Parts marked by "NSP" are generally unavailable because they are not in our Master Spare Parts List.

● The Δ mark found on some component parts indicates the importance of the safety factor of the part. Therefore, when replacing, be sure to use parts of identical designation.

● When ordering resistors, first convert resistance values into code form as shown in the following examples.

Ex.1 When there are 2 effective digits (any digit apart from 0), such as 560 ohm and 47 k ohm (tolerance is shown by J = 5%, and K = 10%).

560 Ω → 56 × 10¹ → 561 RD1/APU $\boxed{5}$ $\boxed{6}$ $\boxed{7}$ J

47 k Ω → 47 × 10³ → 473 RD1/APU $\boxed{4}$ $\boxed{7}$ $\boxed{3}$ J

0.5 Ω → R50 RN2H \boxed{R} $\boxed{5}$ $\boxed{0}$ K

1 Ω → 1R0 RS1P $\boxed{7}$ \boxed{R} $\boxed{0}$ K

Ex.2 When there are 3 effective digits (such as in high precision metal film resistors).

5.62 k Ω → 562 × 10¹ → 5621 RN1/4PC $\boxed{5}$ $\boxed{6}$ $\boxed{2}$ $\boxed{1}$ F

In this manual, the same reference numbers are allotted to the electrical parts of the Assys indicated below.

Be sure to confirm the Assy name, as well as the reference number.

ASSY names:

MAIN (DWX3751) - DEUP (DWX3760) - PADR (DWX3583)

USBB (DWX3752) - HPJK (DWX3770)

Overlapped numbers

6,000s

3,900s

Mark	No.	Description	Part No.	Mark	No.	Description	Part No.
LIST OF ASSEMBLIES							
NSP	1..MOTHER ASSY		DWM2586		2..DEUPR ASSY		DWX3762
	2..MAIN ASSY		DWX3751	NSP	1..PACD ASSY		DWM2523
	2..USBB ASSY		DWX3752		2..PADL ASSY		DWX3553
					2..CDCL ASSY		DWX3554
NSP	1..JACK ASSY		DWM2592		2..PADR ASSY		DWX3583
	2..AIJK ASSY		DWX3768		2..CDCR ASSY		DWX3584
	2..AOJK ASSY		DWX3769		1..CROSS FADER ASSY		DXA2257
	2..HPJK ASSY		DWX3770	NSP	2..CRFD ASSY		DWX3258
	2..FAD3 ASSY		DWX3771		Δ 1..POWER SUPPLY ASSY		DWR1463
	2..FAD1 ASSY		DWX3772		NSP 1..DECK2 ASSY		DWM2590
	2..FAD2 ASSY		DWX3773		2..SEQL ASSY		DWX3763
	2..FAD4 ASSY		DWX3774		2..QUAL ASSY		DWX3764
NSP	1..SUB ASSY		DWM2591		2..QUAR ASSY		DWX3765
	2..MXRB ASSY		DWX3767		2..SEQR ASSY		DWX3766
	2..JFLL ASSY		DWX3775				
	2..JFLR ASSY		DWX3776				
	2..CRFCV ASSY		DWX3777				
	2..JLL1 ASSY		DWX3778				
	2..JLL2 ASSY		DWX3779				
	2..JLL3 ASSY		DWX3781				
	2..JLL4 ASSY		DWX3782				
	2..JLR1 ASSY		DWX3783				
	2..JLR2 ASSY		DWX3784				
	2..JLR3 ASSY		DWX3785				
	2..JLR4 ASSY		DWX3786				
NSP	1..MIXER ASSY		DWM2587				
	2..MXRA ASSY		DWX3753				
	2..JOGTL ASSY		DWX3754				
	2..PSWB ASSY		DWX3755				
	2..JOGTR ASSY		DWX3756				
NSP	1..DECK ASSY		DWM2588				
	2..DEUP ASSY		DWX3760				
	2..KSWB ASSY		DWX3757				
	2..SLDB ASSY		DWX3758				
	2..JOGR ASSY		DWX3759				
NSP	1..DECKR ASSY		DWM2589				
	2..KSWB ASSY		DWX3757				
	2..SLDB ASSY		DWX3758				
	2..JOGR ASSY		DWX3759				

Mark No. Description Part No.

A MAIN ASSY

SEMICONDUCTORS

Δ	IC 1201,1406,3405	NJM2831F33
Δ	IC 1202	NJM2392M
Δ	IC 1203,1205	BD9328EFJ
Δ	IC 1204	BD9329EFJ
Δ	IC 1206	NJM2886DL3-33
Δ	IC 1401	NJM78M15DL1A
Δ	IC 1402	NJM79M15DL1A
Δ	IC 1403,1405	BD9851EFV
Δ	IC 1404	NJM7805DL1A
	IC 1601,1602,1801,1802	NJM4580MD
	IC 1603,1604,1803,1804	PCM1803ADB
	IC 2001	AK5358AET
	IC 2201,2601	R5S72670P144FP
	IC 2202	TC7SH04FUS1
	IC 2603,2604,3004	TC7SH08FUS1
	IC 3001	DYW1910*

*Part number of the initial firmware equipped

Mark	No.	Description	Part No.
A	IC 3002		TC7SHU04FUS1
	IC 3201		D810K013DZKB400
	IC 3202		M12L128168A-5TG2N
	IC 3202		A3V28S40JTP-60

■	IC 3401-3403		TC74VHC08FK
	IC 3406-3409		TC7SG08FU
	IC 3601		WM8740SEDS
	IC 3602,6003		S-80930CNMC-G80
	IC 3606,3802		AK4387ET

■	IC 3801		NJM4580MD
	IC 6001		DYW1876*

*Part number of the initial firmware equipped

B	Q 1001,1003		DRA9A24E0
	Q 1001,1003		LTA024EEB
	Q 1002,1004,1201,1204		LTC024EEB

■	Q 1002,1004,1201,1204		DRC9A24E0
	Q 1205		2SA1577
	Q 1206,3601,3602,6004		LSCR523UB
	Q 1206,3601,3602,6004		2SC4154-11
	Q 1207		2SC4097

C	Q 1208,1209,3604,3605		LSAR523UB
	Q 1208,1209,3604,3605		ISA1602AM1
	Q 1401		RSR020P05
	Q 1402		RTQ045N03
	Q 1403,1404		RSQ030P03

■	Q 2602,2603,3603		LTC024EEB
	Q 2602,2603,3603		DRC9A24E0
	Q 3809		RT1N431M
	Q 3809		LTC143EUB
	Q 6009		LSCR523UB

D	Q 6009		2SC4154-11
	D 1202		RB160L-40
	D 1203-1205,3601		1SS355VM
	D 1203-1205,3601		DA2J101
	D 1401,1406,1407,1409		DB2J41100

D	D 1404,1405,1408		RB501VM-40
	D 2001,2002		DAN217UM

MISCELLANEOUS

■	L 1007 CHIP SOLID INDUCTOR		QTL1013
	L 1201 CHOKE COIL		CTH1209
	L 1202 COIL		CTH1475
	L 1204 POWER INDUCTOR		ATH7053

E	L 1401,1402,1405 POWER INDUCTOR		ATH7011
	L 2203-2205 CHIP SOLID INDUCTOR		QTL1013
	L 2207,2607,3203 CHIP COIL		LCTAW330J2520
	L 2603-2605 CHIP SOLID INDUCTOR		QTL1013
	L 3201 SMD FERRITE BEADS		CTF1823

■	F 3201 EMI FILTER		DTL1106
	KN 3001-3008 WRAPPING TERMINAL		CKF1089
	X 3001 RESONATOR		CSS1760
	X 3401 OSCILLATOR		CWX3849

F	X 6001 CRYSTAL RESONATOR		BSS1146
	CN 1001 L-PLUG(10P)		KM200NA10L
	CN 1101 25P CONNECTOR		VKN1256
	CN 1102 23P CONNECTOR		VKN1427
	CN 1201 CONNECTOR		B6B-XH-A

F	CN 6007,6008 CONNECTOR		AKM1279
	JH 3001,3002 PCB BINDER		AEF7008



Mark	No.	Description	Part No.
RESISTORS			
R	1202,1203		RS1/4SA1R0J
	1207		RS1/10SR2702D
	1208,1605-1608		RS1/10SR1501D
	1401		RS1/10SR1502D

R	1402,1406		RS1/10SR1002D
	1403		RS1/10SR3002D
	1404		RS1/10SR6802D
	1405		RS1/10SR1803D
	1407,3805,3806		RS1/10SR5101D

R	1601-1604,1801-1804		RS1/10SR6801D
	1609,1809		RS1/10SR1000D
	1805-1808		RS1/10SR1501D
	2292		RS1/16SS5601F

R	2296,2726,3007		RS1/10SR0R0J
	3801,3802		RS1/10SR5601D
	3803,3804,3807,3808		RN1/16SE6802D

R	3809		RS1/10SR4701D
	Other Resistors		RS1/16SS###J

CAPACITORS

C	1001-1004,1409		CKSRYB104K25
	1005-1009,2003,2007		CKSSYB104K10
	1201		CCH1680
	1202		CFTLA474J50
	1203,1207		DCH1263

C	1205,1208		CKSSYB103K25
	1209		CKSSYB104K16
	1401		CKSRYB103K25
	1403		CKSRYB334K25
	1404		CKSYB225K25

C	1405		CCSSCH271J50
	1407		CKSSYB332K50
	1601,1602,1801,1802		CEVW101M25
	1603-1606,1803-1806		CKSRYB104K25
	1607-1609,1807-1809		CEVW101M16

C	2002,2006,2008		CCG1192
	2004,2005		CEVW220M16
	2009,2201,2202,2207		CKSSYB104K10
	2203,2204,2603,2604		CEVW470M6R3
	2208,2601,2602,2607		CKSSYB104K10

C	2209,2229,2294,2609		CKSSYB471K50
	2220,3002,3208,3402		CKSSYB103K16
	2608,3001,3005,3007		CKSSYB104K10
	3003,3009,3403,3408		CKSSYB102K50
	3004,3404-3407		CCSSCH101J50

C	3006		CCSSCH100D50
	3008		CCSSCH8R0D50
	3201,3202,3204,3207		CKSSYB104K10
	3203		CEVW470M6R3

C	3205,3801,3802		CEVW101M16
	3206,3209,6001-6009		CKSSYB471K50
	3401,3602,3605,3609		CKSSYB104K10
	3409,3603,3606		CKSSYB102K50

C	3601,3608		CCH1565
	3803,3804		CCSRCH272J50
	3805,3806		CCSRCH471J50

C	3807,3808		CCSRCH220J50
	3809		CCSRCH102J50

Mark No. Description**Part No.****B AIJK ASSY
SEMICONDUCTORS**

IC 101,301,501
IC 102,302
IC 103,104,303,304
IC 502
Q 101-104,301-304

NJM4580MD
NJM4580D
NJM2121MD
NJM4565MD
2SK209

Q 105,305
Q 105,305
Q 501,502
D 501-504
D 501-504

LTC114EUB
RT1N141M-11
2SK209
DZ2J150M0
UDZV15

MISCELLANEOUS

JA 101,302 RCA JACK/4P
JA 102,301 RCA JACK
JA 501 CANON CONNECTOR
JA 502 HEADPHONE JACK
VR 501,502 ROTARY VR

JP 101,102 CRIMP CONNECTOR

DKB1112
DKB1119
DKB1108
DKN1622
DCS1131

PF15PG-R07

RESISTORS

R 101,102,105,106
R 103,104,307,308
R 107,108
R 109,507,508
R 120,123,124

RS1/10SR1000D
RN1/16SE1000D
RS1/10SR2200D
RN1/16SE2200D
RS1/10SR9102D

R 121,122
R 131,132
R 133,134
R 135,137,139,341
R 136,138,340,342

RN1/16SE9102D
RS1/10SR1801D
RN1/16SE1601D
RN1/16SE1501D
RN1/16SE2401D

R 301-304
R 305,306,309
R 343,344,515,518
R 349
R 505,506

RS1/10SR2700D
RS1/10SR1000D
RN1/16SE1501D
RN1/16SE7501D
RN1/16SE1000D

R 509,510
R 512
R 514,519
R 516
Other Resistors

RN1/16SE1002D
RS1/10SR2701D
RN1/16SE4701D
RS1/10SR8200D
RS1/10SR###J

CAPACITORS

C 101-106,301-306
C 107-109,307-309
C 121,122,515
C 123,126,137,342
C 124,125,135,136

CCSRCH102J50
CCSRCH101J50
CCSRCH471J50
CEAT101M25
CKSRYB104K25

C 127,128
C 129,131
C 130,132,330
C 133,134,504,505
C 138,139,340,341

CKSRYB223K50
CCSRCH331J50
CEHAT471M6R3
CFLA103J50
CKSRYB104K25

C 343
C 344,345
C 512,513
C 514
C 519

CKSRYB104K16
CEAT101M25
CCSRCH102J50
CKSRYB471K50
CKSRYB103K50

Mark No. Description**Part No.****C AOJK ASSY
SEMICONDUCTORS**

IC 701,702,705,901
IC 703,704,902,903
Q 701,702
Q 701,702
Q 703-709,901-904

NJM4580MD
NJM4580D
LTA114EUB
RT1P141M
INC2002AC1

Q 905-908
Q 909
D 901
D 901
D 902-905

2SK209
INC2002AC1
1SS355VM
DA2J101
DZ2S180C

MISCELLANEOUS

JA 701,702 CANON CONNECTOR
JA 703 RCA JACK
JA 901,902 HEADPHONE JACK
JP 701 CRIMP CONNECTOR
JP 702 CRIMP CONNECTOR

P 701,702 PROTECTOR(1A)

DKB1093
DKB1120
DKN1622
PF15PG-R15
PF05PG-R15

AEK1073

RESISTORS

R 705-709
R 720,729
R 721-728
R 770-772
R 773-776

RS1/10SR6801D
RN1/16SE6802D
RS1/10SR6201D
RS1/8SQ2200F
RS1/10SR1002D

R 777-779,901,902
R 800
R 801-804
R 805-808
R 903,904,907,908

RS1/10SR5601D
RS1/10SR6800D
RD1/2VM331J
RS1/10SR2201D
RN1/16SE7502D

R 905,906
R 909
Other Resistors

RS1/10SR5101D
RS1/10SR4701D
RS1/10SR###J

CAPACITORS

C 701-704
C 705-708
C 709
C 720,722,729
C 721

CCSRCH102J50
CCSRCH221J50
CCSRCH200J50
CKSRYB104K25
ACH1482

C 727
C 901,902
C 903,904
C 905,906
C 907,908

CEHAZL101M25
CEAT470M25
CCSRCH272J50
CCSRCH471J50
CCSRCH180J50

**D HPJK ASSY
SEMICONDUCTORS**

IC 3901
Q 3901,3902
Q 3903,3904
Q 3905,3907
Q 3906,3908

NJM4580MD
2SK209
INC2002AC1
KTC3209
KTA1281

MISCELLANEOUS

JA 3901 HEADPHONE JACK
JA 3902 STEREO MINI JACK
JP 3901 CRIMP CONNECTOR

DKN1622
XKN3017
PF09PG-R10

RESISTORS

Mark No. Description

R 3901,3902
R 3903,3904
R 3910,3912
R 3913,3914
R 3915-3918

Other Resistors

CAPACITORS

C 3902,3903
C 3904,3907,3910,3915
C 3905,3906,3911-3914
C 3916,3917
C 3918,3919

Part No.

RS1/10SR1002D
RN1/16SE1002D
RS1/8SQ680J
RS1/10SR1001D
RS1LMF390J

RS1/10SR###J

CCSRCH391J50
CEAT101M16
CKSRYB104K25
CEANP471M6R3
CFTLA224J50

Mark No. Description

Q 4020,4022,4024,4026
Q 4021,4023,4025
Q 4021,4023,4025
Q 4501

Q 4501
Q 4502-4505
Q 4502-4505
Q 4506-4521
Q 4506-4521

D 4002,4005,4524
D 4003,4004,4009
D 4006-4008,4020,4021
D 4022-4027
D 4028,4525

D 4501-4523
D 4501-4523
D 4526-4529

MISCELLANEOUS

VR 4501-4506 ROTARY VR
VR 4507,4508,4510-4512 ROTARY VR
VR 4509,4513,4514 POTENTIOMETER
VR 4515,4520 ROTARY VR
VR 4516-4519 POTENTIOMETER

VR 4521-4527 POTENTIOMETER
S 4501,4504,4513 SLIDE SWITCH
S 4502,4503,4505,4506 TACT SWITCH
S 4507,4510 SLIDE SWITCH
S 4508,4509,4511,4512 TACT SWITCH

S 4514-4520 TACT SWITCH
CN 4001 25P CONNECTOR
CN 4002 23P CONNECTOR
CN 4501 3P JUMPER CONNECTOR

RESISTORS

All Resistors

CAPACITORS

C 4001,4002
C 4003,4004,4008
C 4006
C 4513-4518
C 4519-4529

**K MXRB ASSY
SEMICONDUCTORS**

IC 7801
IC 7802
Q 7801,7803,7805,7807
Q 7801,7803,7805,7807
Q 7802,7808

Q 7802,7808
Q 7804,7806
Q 7809
Q 7809
D 7801,7802,7807,7808

D 7803,7804,7809
D 7805,7806

MISCELLANEOUS

VR 7801,7804 POTENTIOMETER
VR 7802,7803 ROTARY VR

Part No.

2SB1689
LTC124EUB
RT1N241M
RT1P431M

LTA143EUB
RT1N241M
LTC124EUB
LSAR523UB
ISA1602AM1

SLI-343U8R
SLI-343M8G
SLI-343YYW
SLI-343M8G
SLI-343YYW

DA2J101
1SS355VM
SLR343BD2T

DCS1126
DCS1104
DCS1065
DCS1104
DCS1065

DCS1065
DSH1058
DSG1079
DSH1066
DSG1079

DSG1079
VKN1256
VKN1254
52147-0310

RS1/10SR###J

CEJQ101M16
CKSRYB104K16
CEJQ470M6R3
CKSRYB104K16
CKSRYB471K50

TC74HC4052AFT
TC4053BFT
RT1N241M
LTC124EUB
LSAR523UB

ISA1602AM1
2SA1577
RT1N241M
LTC124EUB
SLR343BD2T

SLI-343YYW
SLI-343M8G

DCS1065
DCS1104

**E USBB ASSY
MISCELLANEOUS**

L 3901,3951 COIL
L 3903,3952 CHIP SOLID INDUCTOR
L 3904,3954 INDUCTOR
L 3953 CHIP SOLID INDUCTOR
JA 3901,3951 USB CONNECTOR

KN3901,3951 WRAPPING TERMINAL
CN3901 L-PLUG(10P)

ATH7015
QTL1013
CTF1793
QTL1013
DKN1237

CKF1089
KM200NA10L

CAPACITORS

C 3903,3955

CCSSCH470J50

**F FAD1 ASSY
MISCELLANEOUS**

VR 9021 SLIDE VR
CN 9021 PLUG(3P)

DCV1027
KM200NA3R

**G FAD2 ASSY
MISCELLANEOUS**

VR 9031 SLIDE VR
CN 9031 PLUG(3P)

DCV1027
KM200NA3E

**H FAD3 ASSY
MISCELLANEOUS**

VR 9011 SLIDE VR
CN 9011 PLUG(3P)

DCV1027
KM200NA3

**I FAD4 ASSY
MISCELLANEOUS**

VR 9041 SLIDE VR
CN 9041 PLUG(3P)

DCV1027
KM200NA3Y

**J MXRA ASSY
SEMICONDUCTORS**

IC 4501-4503
IC 4504
Q 4002-4005
Q 4002-4005
Q 4006-4009

Q 4006-4009

TC74HC4052AFT
NJM12903V
LTC123JUB
RT1N237M
LSCR523UB

2SC4154-11

Mark No.	Description	Part No.
S 7801,7802,7804,7805	TACT SWITCH	DSG1079
S 7803,7806,7809	SLIDE SWITCH	DSH1058
S 7807,7808	TACT SWITCH	DSG1079
CN 7801	27P CONNECTOR	VKN1258
CN 7802	PLUG(3P)	KM200NA3
CN 7803	PLUG(3P)	KM200NA3R
CN 7804	PLUG(3P)	KM200NA3E
CN 7805	PLUG(3P)	KM200NA3Y

RESISTORS

All Resistors RS1/10SR###J

MISCELLANEOUS

JH 7801 CRIMP CONNECTOR PF03PG-R15
 JH 7802,7803 3P CABLE HOLDER 51048-0300
 JP 7802,7803 3P JUMPER WIRE D2OPDY0310E

CAPACITORS

C 7801,7808,7809 CKSRYB104K16
 C 7804-7807 CKSRYB471K50

L CRFCV ASSY**MISCELLANEOUS**

VR 8001 ROTARY VR DCS1121
 CN 8001 3P JUMPER CONNECTOR 52147-0310

CAPACITORS

C 8001 CKSRYB104K16

M JFLL ASSY
SEMICONDUCTORS

Q 7401,7402 KTC3198

MISCELLANEOUS

V 7401 VFD DEL1073
 JP 7401 CRIMP CONNECTOR PF11PG-R42

RESISTORS

All Resistors RS1/10SR###J

CAPACITORS

C 7401 CEAT101M6R3
 C 7402-7404,7412-7414 CKSRYB104K16
 C 7405 CEAT101M35
 C 7406,7407 CKSRYB104K50
 C 7408-7411 CCSRCH101J50

N JFLR ASSY
SEMICONDUCTORS

Q 7601,7602 KTC3198

MISCELLANEOUS

V 7601 VFD DEL1073
 JP 7601 CRIMP CONNECTOR PF11PG-R42

RESISTORS

All Resistors RS1/10SR###J

CAPACITORS

C 7601 CEAT101M6R3
 C 7602-7604 CKSRYB104K16
 C 7605 CEAT101M35
 C 7606,7607 CKSRYB104K50

Mark No.	Description	Part No.
C 7608,7609		CCSRCH101J50

O JLL1 ASSY
SEMICONDUCTORS

Q 9211-9214 ISA1602AM1
 Q 9211-9214 LSAR523UB
 D 9211 SLR343BD2T
 D 9212 SLR343WBC7T

MISCELLANEOUS

CN 9211 L-PLUG(3P) KM200NA3L

RESISTORS

All Resistors RS1/10SR###J

P JLL2 ASSY
SEMICONDUCTORS

Q 9231-9234 ISA1602AM1
 Q 9231-9234 LSAR523UB
 D 9231 SLR343BD2T
 D 9232 SLR343WBC7T

MISCELLANEOUS

CN 9231,9232 L-PLUG(3P) KM200NA3L

RESISTORS

All Resistors RS1/10SR###J

Q JLL3 ASSY
SEMICONDUCTORS

Q 9251-9254 ISA1602AM1
 Q 9251-9254 LSAR523UB
 D 9251 SLR343BD2T
 D 9252 SLR343WBC7T

MISCELLANEOUS

CN 9251,9252 L-PLUG(3P) KM200NA3L

RESISTORS

All Resistors RS1/10SR###J

R JLL4 ASSY
SEMICONDUCTORS

Q 9271-9274 ISA1602AM1
 Q 9271-9274 LSAR523UB
 D 9271 SLR343BD2T
 D 9272 SLR343WBC7T

MISCELLANEOUS

CN 9271 L-PLUG(3P) KM200NA3L

RESISTORS

All Resistors RS1/10SR###J

S JLR1 ASSY
SEMICONDUCTORS

Q 9311-9314 ISA1602AM1
 Q 9311-9314 LSAR523UB
 D 9311 SLR343BD2T
 D 9312 SLR343WBC7T

Mark No. Description**Part No.****Mark No. Description****Part No.****MISCELLANEOUS**

CN9311 L-PLUG(3P)

KM200NA3L

R 8601,8602

R 8603

Other Resistors

DCN1187

RS1/10SR4701D

RS1/10SR###J

RESISTORS

All Resistors

RS1/10SR###J

CAPACITORS

C 8601

C 8602

C 8603

CCSRCH101J50

CKSRYB104K16

DCH1201

T JLR2 ASSY**SEMICONDUCTORS**

Q 9331-9334

Q 9331-9334

D 9331

D 9332

ISA1602AM1

LSAR523UB

SLR343BD2T

SLR343WBC7T

X JOGTR ASSY**SEMICONDUCTORS**

IC 8701

D 8701

DYW1858

RB501VM-40

MISCELLANEOUS

CN9331,9332 L-PLUG(3P)

KM200NA3L

MISCELLANEOUS

L 8701-8703 INDUCTOR

KN 8701-8703 EARTH TERMINAL

CN 8701 PLUG(8P)

CN 8702 L-PLUG(4P)

CN 8703,8704 L-PLUG(3P)

CTF1379

AKF7002

KM200NA8

KM200NA4L

KM200NA3L

RESISTORS

All Resistors

RS1/10SR###J

VA 8701,8702 SMD VARISTOR

EZJZ1V80010

U JLR3 ASSY**SEMICONDUCTORS**

Q 9351-9354

Q 9351-9354

D 9351

D 9352

ISA1602AM1

LSAR523UB

SLR343BD2T

SLR343WBC7T

RESISTORS

R 8701,8702

R 8703

Other Resistors

DCN1187

RS1/10SR4701D

RS1/10SR###J

MISCELLANEOUS

CN9351,9352 L-PLUG(3P)

KM200NA3L

CAPACITORS

C 8701

C 8702

C 8703

CCSRCH101J50

CKSRYB104K16

DCH1201

RESISTORS

All Resistors

RS1/10SR###J

V JLR4 ASSY**SEMICONDUCTORS**

Q 9371-9374

Q 9371-9374

D 9371

D 9372

ISA1602AM1

LSAR523UB

SLR343BD2T

SLR343WBC7T

Y JOGR ASSY**MISCELLANEOUS**

CN 8801 PLUG(4P)

KM200NA4

MISCELLANEOUS

CN9371 L-PLUG(3P)

KM200NA3L

RESISTORS

All Resistors

RS1/10SR###J

RESISTORS

All Resistors

RS1/10SR###J

MISCELLANEOUS

PC 8801 PHOTO INTERRUPTER

KE-2K18-15

CAPACITORS

C 8801

C 8802,8803

CKSRYB105K10

CKSRYB103K50

W JOGTL ASSY**SEMICONDUCTORS**

IC 8601

*Part number of the initial firmware equipped

D 8601

DYW1858*

RB501VM-40

Z DEUP ASSY**SEMICONDUCTORS**

IC 6004

Q 6003,6005,6007

Q 6003,6005,6007

Q 6004,6006,6008

Q 6009,6012

TC74HC4052AFT

LTC124EUB

RT1N241M

ISA1602AM1

LTC123JUB

MISCELLANEOUS

L 8601-8603 INDUCTOR

KN 8601-8603 EARTH TERMINAL

CN 8601 PLUG(8P)

CN 8602 L-PLUG(4P)

CN 8603,8604 L-PLUG(3P)

CTF1379

AKF7002

KM200NA8

KM200NA4L

KM200NA3L

Q 6009,6012

Q 6010,6011

Q 6010,6011

Q 6013-6015,6022

Q 6013-6015,6022

RT1N237M

LSCR523UB

2SC4154-11

RT1N241M

LTC124EUB

VA 8601,8602 SMD VARISTOR

EZJZ1V80010

Q 6016-6018,6020,6021

Q 6016-6018,6020,6021

Q 6023-6025

ISA1602AM1

LSAR523UB

LSAR523UB

RESISTORS

Mark No.	Description	Part No.
Q 6023-6025		ISA1602AM1
D 6005,6008,6009,6017		SLI-343U8R
D 6018-6026		DA2J101
D 6018-6026		1SS355VM
MISCELLANEOUS		
VR 6001-6003 ROTARY VR		DCS1125
VR 6004 ROTARY VR		DCS1121
S 6001,6004 ENCODER SW		DSX1080
S 6002,6003,6005-6013 TACT SWITCH		DSG1079
CN 6001 32P CONNECTOR		VKN1263
CN 6002 15P CONNECTOR		VKN1246
CN 6003 3P JUMPER CONNECTOR		52147-0310
JH 6001 5P CABLE HOLDER		51048-0500
JP 6001 JUMPER WIRE		D20PDY0510E

RESISTORS

All Resistors

RS1/10SR###J

CAPACITORS

C 6001,6002,6006-6009
 C 6003,6010-6013
 C 6022-6024
 C 6025,6026

CKSRYB471K50
 CKSRYB104K16
 CKSRYB104K16
 CEJQ470M6R3

AA DEUPR ASSY**SEMICONDUCTORS**

IC 6004 TC74HC4052AFT
 Q 6003,6005,6007 RT1N241M
 Q 6003,6005,6007 LTC124EUB
 Q 6004,6006,6008 ISA1602AM1
 Q 6010,6011 LSCR523UB

Q 6010,6011 2SC4154-11
 Q 6012 RT1N237M
 Q 6012 LTC123JUB
 Q 6013-6015,6022 LTC124EUB
 Q 6013-6015,6022 RT1N241M

Q 6016-6018,6020,6021 LSAR523UB
 Q 6016-6018,6020,6021 ISA1602AM1
 Q 6023-6025 LSAR523UB
 Q 6023-6025 ISA1602AM1
 D 6005,6008,6009 SLI-343U8R

D 6018-6026 DA2J101
 D 6018-6026 1SS355VM

MISCELLANEOUS

VR 6001-6003 ROTARY VR DCS1125
 VR 6004 ROTARY VR DCS1121
 S 6001,6004 ENCODER SW DSX1080
 S 6002,6003,6005,6006 TACT SWITCH DSG1079
 S 6008-6013 TACT SWITCH DSG1079

CN 6001 32P CONNECTOR VKN1263
 CN 6002 15P CONNECTOR VKN1246
 JH 6001 5P CABLE HOLDER 51048-0500
 JP 6001 JUMPER WIRE D20PDY0510E

RESISTORS

All Resistors

RS1/10SR###J

CAPACITORS

C 6001,6002,6006-6009
 C 6003,6010-6013

CKSRYB471K50
 CKSRYB104K16

Mark No.	Description	Part No.
C 6022-6024		CKSRYB104K16
C 6025,6026		CEJQ470M6R3

AB PSWB ASSY**MISCELLANEOUS**

S 8901 PUSH SW ASG1102
 CN 8901 3P JUMPER CONNECTOR 52147-0310

RESISTORS

All Resistors

RS1/10SR###J

AC KSWB ASSY**SEMICONDUCTORS**

Q 8201,8203,8205 RT1N241M
 Q 8201,8203,8205 LTC124EUB
 Q 8202,8204,8206 ISA1602AM1
 Q 8207,8208 RT1N237M
 Q 8207,8208 LTC123JUB

Q 8209 2SC4154-11
 D 8201-8203 SLI-343U8R
 D 8206 SLR343BD2T
 D 8207 SLR343WBC7T
 D 8208 SLI-343YYW

D 8209 SLI-343M8G

MISCELLANEOUS

S 8201-8206 TACT SWITCH DSG1079
 S 8207,8208 TACT SWITCH DSG1117
 CN 8201 15P CONNECTOR VKN1246

RESISTORS

All Resistors

RS1/10SR###J

CAPACITORS

C 8201,8204 CKSRYB104K16
 C 8205 CEJQ470M6R3

AD SLDB ASSY**SEMICONDUCTORS**

Q 8411,8413,8415,8419 RT1N241M
 Q 8411,8413,8415,8419 LTC124EUB
 Q 8412,8416,8422 2SA1577
 Q 8414,8420 ISA1602AM1
 Q 8414,8420 LSAR523UB

Q 8421 LTC124EUB
 Q 8421 RT1N241M
 Q 8426,8429 LTC123JUB
 Q 8426,8429 RT1N237M
 Q 8428 2SC4154-11

D 8401 SLI-343YYW
 D 8411-8417,8419-8422 DA2J101
 D 8411-8417,8419-8422 1SS355VM
 D 8431,8434,8437 SLI-343U8R

MISCELLANEOUS

VR 8401 SLIDE VR DCV1033
 S 8401-8403,8405-8408 TACT SWITCH DSG1079
 CN 8401 5P JUMPER CONNECTOR 52147-0510
 CN 8402 13P CONNECTOR VKN1244

Mark No. Description**RESISTORS**

All Resistors

CAPACITORS

C 8401,8405
C 8402,8403
C 8404

**AE PADL ASSY
SEMICONDUCTORS**

IC 7005
Q 7001,7003,7005,7034
Q 7002,7004,7006,7035
Q 7007-7009,7031-7033
Q 7036

Q 7037
Q 7038
Q 7039
Q 7050-7059
D 7001-7009

D 7020

MISCELLANEOUS

S 7001-7004 TACT SWITCH
CN 7001 10P CONNECTOR
CN 7002 25P CONNECTOR
CN 7003 13P CONNECTOR
CN 7004 23P CONNECTOR

RESISTORS

R 7005,7029
R 7056
R 7059
R 7170,7172
R 7171

R 7173,7175
R 7176,7225,7226
Other Resistors

CAPACITORS

C 7002,7004,7020,7021
C 7007-7009
C 7022

**AF PADR ASSY
SEMICONDUCTORS**

IC 6005
Q 6001,6003,6005,6034
Q 6002,6004,6006,6035
Q 6007-6009,6031-6033
Q 6036

Q 6037
Q 6038
Q 6039
D 6001-6009
D 6020

MISCELLANEOUS

S 6001-6004 TACT SWITCH
CN 6001 10P CONNECTOR
CN 6002 25P CONNECTOR
CN 6003 13P CONNECTOR

Part No.

RS1/10SR###J

CEJQ470M6R3
CKSRYB392K50
CKSRYB104K16

BU4551BF
RN1903
2SB1689
LTC123JUB
RN1903

2SB1689
LTC124EUB
ISA1602AM1
LSAR523UB
SMLVN6RGB2UK

DA2J101

DSG1134
VKN1414
VKN1429
VKN1417
VKN1427

RS1/16SS563J
RS1/16SS473J
RS1/16SS3301D
RS1/16SS103J
RS1/16SS152J

RS1/16SS182J
RS1/16SS0R0J
RS1/10SR###J

CKSSYB104K10
CKSSYB103K16
CEVW101M16

BU4551BF
RN1903
2SB1689
LTC123JUB
RN1903

2SB1689
LTC124EUB
ISA1602AM1
SMLVN6RGB2UK
DA2J101

DSG1134
VKN1414
VKN1429
VKN1417

Mark No. Description

CN 6004 23P CONNECTOR

RESISTORS

R 6005,6029
R 6140,6141,6196,6245
R 6246
Other Resistors

CAPACITORS

C 6002,6004,6020,6021
C 6007-6009
C 6022

**AG CDCL ASSY
SEMICONDUCTORS**

IC 7301
IC 7302
D 7301

MISCELLANEOUS

L 7301 CHIP SOLID INDUCTOR

RESISTORS

All Resistors

CAPACITORS

C 7302
C 7303,7310
C 7304
C 7305
C 7309

**AH CDCR ASSY
SEMICONDUCTORS**

IC 6301
IC 6302
D 6301

MISCELLANEOUS

L 6301 CHIP SOLID INDUCTOR

RESISTORS

All Resistors

CAPACITORS

C 6302
C 6303,6310
C 6304
C 6305
C 6309

AI CRFD ASSY

* When replacement of the CRFD Assy is required, be sure to order the CROSS FADER Assy (DXA2257) which is a parent Assy.

AJ POWER SUPPLY ASSY

* When replacement of the POWER SUPPLY Assy is required, be sure to order the POWER SUPPLY Assy (DWR1463) which is a parent Assy.

AK SEQL ASSY**Part No.**

VKN1427

RS1/16SS563J
RS1/16SS0R0J
RS1/16SS0R0J
RS1/10SR###J

CKSSYB104K10
CKSSYB103K16
CEVW101M16

AD7147ACPZ500RL7
TC7SH08FUS1
DZ2J056M0

XTL3010

RS1/16SS###J

CKSSYB103K16
CKSSYB104K16
CCG1192
CCSRCH221J50
CCSRCH101J50

AD7147ACPZ500RL7
TC7SH08FUS1
DZ2J056M0

XTL3010

RS1/16SS###J

CKSSYB103K16
CKSSYB104K16
CCG1192
CCSRCH221J50
CCSRCH101J50

Mark No. Description**Part No.****SEMICONDUCTORS**

D 5901	SML-D12U8W
D 5902	NHSW046A-0171
D 5903-5905	DA2J101
D 5903-5905	1SS355VM

A

MISCELLANEOUS

S 5901-5903 TACT SWITCH	DSG1134
CN 5902 CONNECTOR	AKM1275

RESISTORS

All Resistors	RS1/10SR###J
---------------	--------------

AL QUAL ASSY**SEMICONDUCTORS**

D 5911	SML-D12U8W
D 5912	DA2J101
D 5912	1SS355VM

B

MISCELLANEOUS

S 5911 TACT SWITCH	DSG1134
CN 5911 CONNECTOR	AKM1275

RESISTORS

All Resistors	RS1/10SR###J
---------------	--------------

C

AM QUAR ASSY**SEMICONDUCTORS**

D 5921	SML-D12U8W
D 5922	DA2J101
D 5922	1SS355VM

MISCELLANEOUS

S 5921 TACT SWITCH	DSG1134
CN 5922 CONNECTOR	AKM1278

RESISTORS

All Resistors	RS1/10SR###J
---------------	--------------

D

AN SEQR ASSY**SEMICONDUCTORS**

D 5931	SML-D12U8W
D 5932	NHSW046A-0171
D 5933-5935	DA2J101
D 5933-5935	1SS355VM

MISCELLANEOUS

S 5931-5933 TACT SWITCH	DSG1134
CN 5931 CONNECTOR	AKM1278

RESISTORS

All Resistors	RS1/10SR###J
---------------	--------------

E

F