

# 9. EXPLODED VIEWS AND PARTS LIST

NOTES: ● Parts marked by "NSP" are generally unavailable because they are not in our Master Spare Parts List.

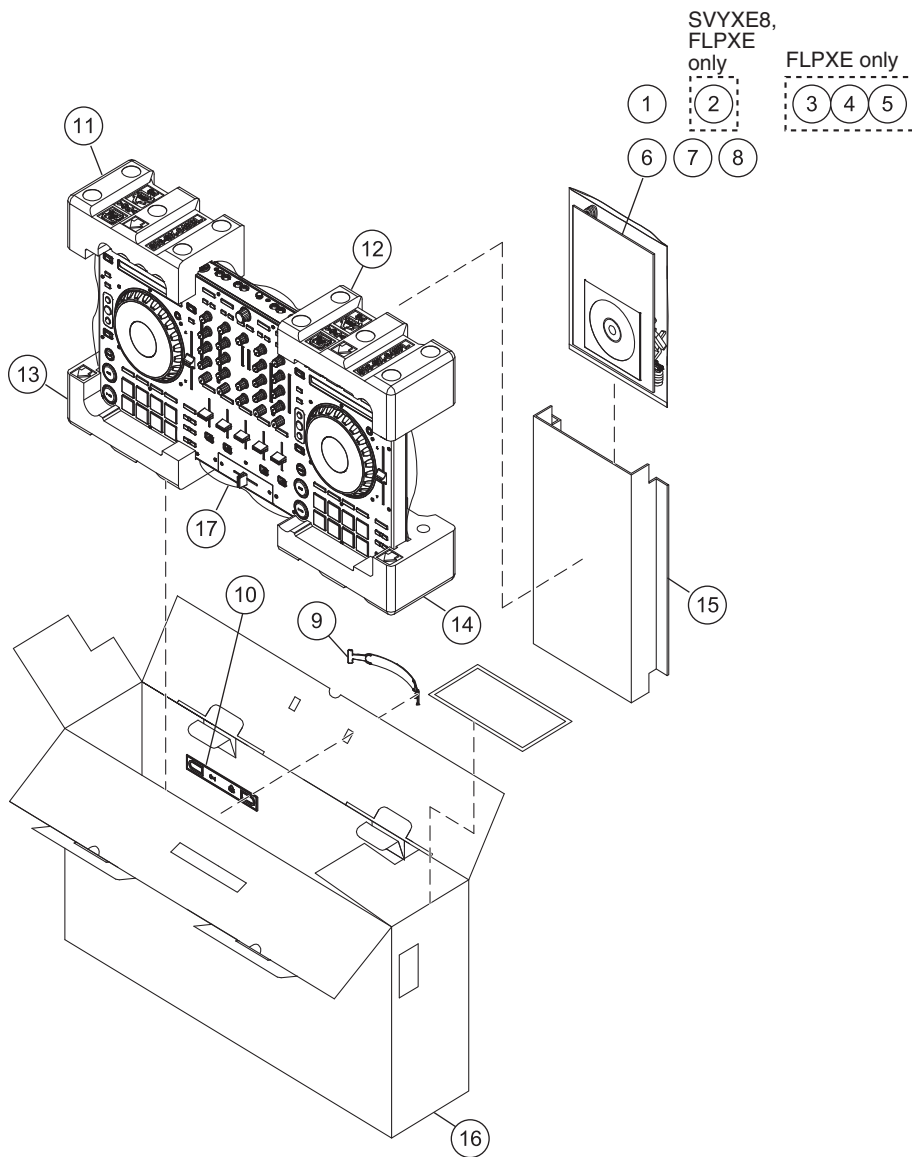
● The  $\triangle$  mark found on some component parts indicates the importance of the safety factor of the part. Therefore, when replacing, be sure to use parts of identical designation.

● Screws adjacent to  $\nabla$  mark on product are used for disassembly.

● For the applying amount of lubricants or glue, follow the instructions in this manual.

(In the case of no amount instructions, apply as you think it appropriate.)

## 9.1 PACKING SECTION



**(1) PACKING SECTION PARTS LIST**

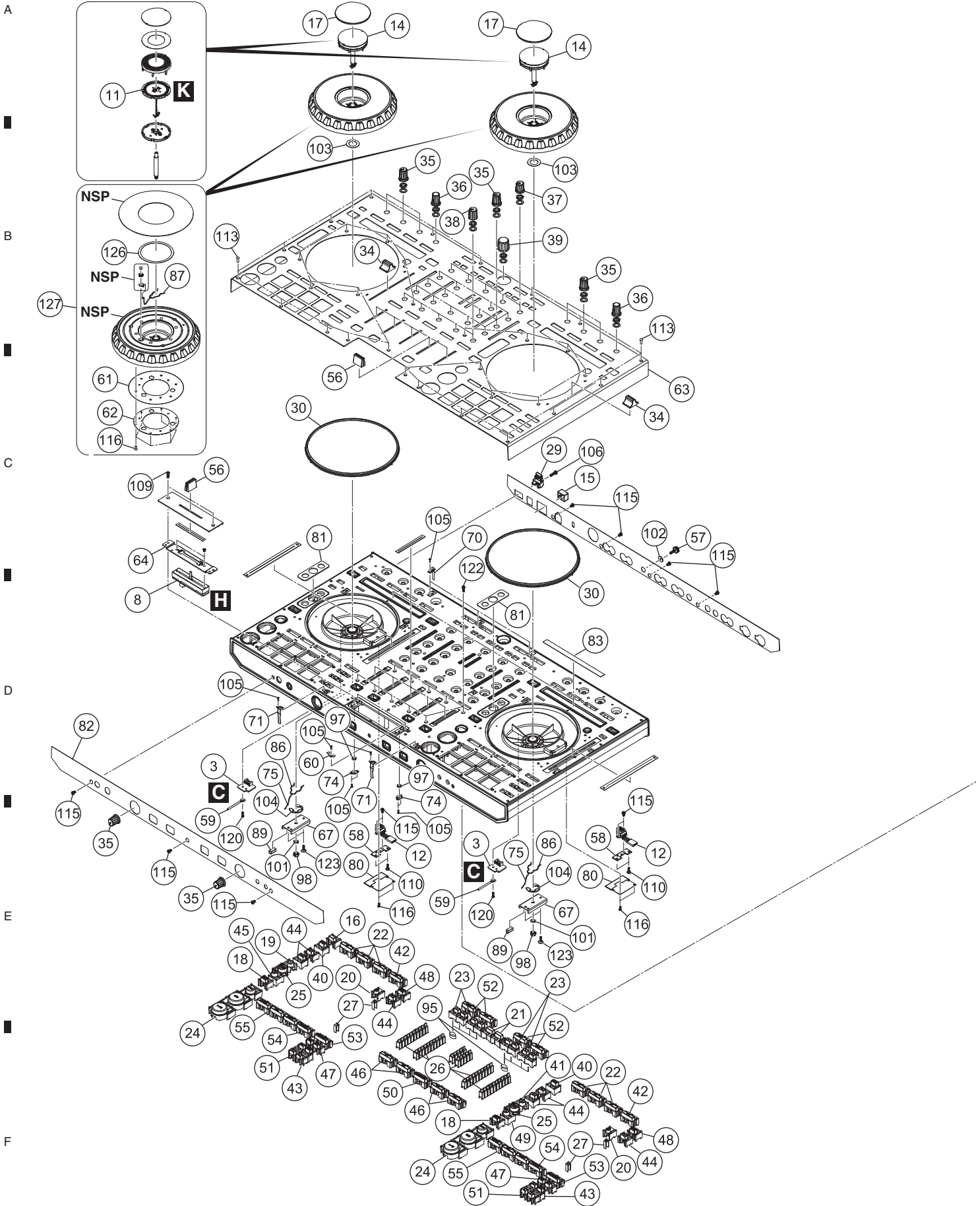
<u>Mark No.</u>	<u>Description</u>	<u>Part No.</u>
⚠	1 AC Adapter	See Contrast table (2)
⚠	2 Power Plug	See Contrast table (2)
⚠	3 Power Plug	See Contrast table (2)
⚠	4 Power Plug	See Contrast table (2)
⚠	5 Power Plug	See Contrast table (2)
	6 USB Cable	408-100UG-087-HA
	7 CD-ROM (Installation Disc)	429-S1-142-HA
	8 Read Before Use (Important)/ Quick Start Guide	See Contrast table (2)
	9 Handle	100-DDJLE-3012-HA
	10 Handle Base	100-DDJLE-3013-HA
	11 Polyfoam BL	506-SX-648BL-HA
	12 Polyfoam BR	506-SX-648BR-HA
	13 Polyfoam FL	506-SX-648FL-HA
	14 Polyfoam FR	506-SX-648FR-HA
	15 Paster board	507-S1-3372-HA
	16 Gift Box	See Contrast table (2)
	17 Soft Bag	509-DDJSX-320-HA

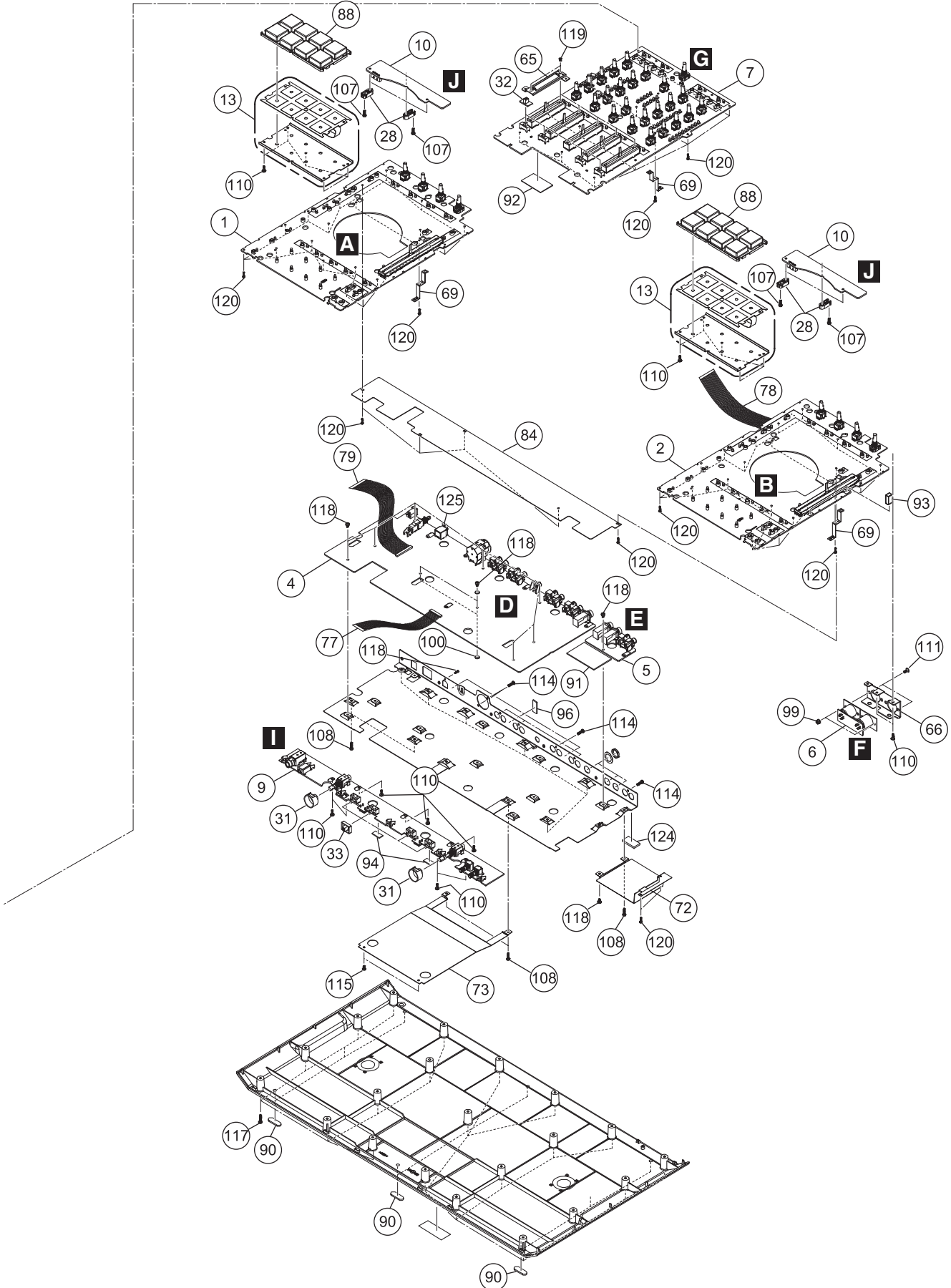
**(2) CONTRAST TABLE**

DDJ-SX/UXECB, SVYXE8, FLPXE, AXE5 and KXE5 are constructed the same except for the following:

Mark	No.	Symbol and Description	DDJ-SX /UXECB	DDJ-SX /SVYXE8	DDJ-SX /FLPXE	DDJ-SX /AXE5	DDJ-SX /KXE5
⚠	1	AC Adapter	411-S1-878-HA	411-S1-879-HA	411-S1-880-HA	411-S1-881-HA	411-S1-882-HA
⚠	2	Power Plug	Not used	420-DJM250-362-HA	420-DJM250-364-HA	Not used	Not used
⚠	3	Power Plug	Not used	Not used	420-DJM250-363-HA	Not used	Not used
⚠	4	Power Plug	Not used	Not used	420-DJM250-362-HA	Not used	Not used
⚠	5	Power Plug	Not used	Not used	420-DJM250-361-HA	Not used	Not used
	8	Read Before Use (Important)/ Quick Start Guide (En)	502-DDSXA-3277-HA	Not used	Not used	Not used	Not used
	8	Read Before Use (Important)/ Quick Start Guide (En, Fr, De, It, Es, Po, Py)	Not used	502-DDSXB-3278-HA	Not used	Not used	Not used
	8	Read Before Use (Important)/ Quick Start Guide (En)	Not used	Not used	502-DDSXF-3282-HA	Not used	Not used
	8	Read Before Use (Important)/ Quick Start Guide (Zhcn)	Not used	Not used	Not used	502-DDSXD-3280-HA	Not used
	8	Read Before Use (Important)/ Quick Start Guide (Ko)	Not used	Not used	Not used	Not used	502-DDSXE-3281-HA
	16	Gift Box	507-S1-3370A-HA	507-SXB-3370A-HA	507-SXF-3370A-HA	507-SXD-3370-HA	507-SXE-3370-HA

# 9.2 EXTERIOR SECTION





## EXTERIOR SECTION PARTS LIST

	<u>Mark No.</u>	<u>Description</u>	<u>Part No.</u>	<u>Mark No.</u>	<u>Description</u>	<u>Part No.</u>
A	1	CONTROL PCB Assy A	704-DDJS1-A421-HA	46	CUE Button	100-S1B-2993-HA
	2	CONTROL PCB Assy B	704-DDJS1-A454-HA	47	2X Button	100-S1B-2994-HA
	3	TRANSFER PCB Assy	704-DDJS1-A429-HA	48	VINYL Button	100-S1C-2989-HA
	4	DSP PCB Assy	704-DDJS1-A418-HA	49	DECK 4 Button	100-S1C-2990-HA
	5	OUTPUT PCB Assy	704-DDJS1-A425-HA	50	MASTER CUE Button	100-S1C-2993-HA
	6	BAL. PCB Assy	704-DDJS1-A423-HA	51	Button	100-S1C-2994-HA
	7	MIX PCB Assy	704-DDJS1-A417-HA	52	LOAD Button	100-S1D-2993-HA
	8	CH FADER PCB Assy	704-DJM250-A032-HA	53	AUTO LOOP Button	100-S1E-2993-HA
	9	FRONT PCB Assy	704-DDJS1-A424-HA	54	S.S Button	100-S1F-2993-HA
	10	TOUCH PCB Assy	704-DDJS1-A426-HA	55	H.R Button	100-S1G-2993-HA
B	11	LED PCB Assy	704-DDJS1-A422-HA	56	Push Button	100-22-2824-HA
	12	SENSOR PCB Assy	704-PDJ33-A007-HA	57	Ground Terminal	200-S1-665-HA
	13	PAD & FSR Assy	704-S1-A458-HA	58	Sensor Fixed Plate	300-HDJ9800-981-HA
	14	LED & COVER Assy	704-DDJS1-A455-HA	59	Winding Fixture	300-HM510B-224-HA
	15	Power Knob	100-HDJ2000-1641-HA	60	Ground Plate	300-MX200-1743-HA
	16	Rectangular Button	100-SX-2989S-HA	61	Encoder Plate	300-PROS2-848-HA
	17	Windows Lens	100-S1-2985-HA	62	Encoder Fixed Plate	300-PROS2-851-HA
	18	SHIFT Button	100-S1-2989-HA	63	Front Panel	300-S1-2043-HA
	19	DECK 1 Button	100-S1-2990-HA	64	CF Fixed Plate	300-S1-2045-HA
	20	LITTLE ROUND Button	100-S1-2991-HA	65	CH Fader Fixed Plate	300-S1-2046-HA
C	21	2 Key Button	100-S1-2992S-HA	66	XLR Fixed Plate	300-S1-2048-HA
	22	ON Button	100-S1-2993-HA	67	JW LED Base	300-S1-2049-HA
	23	1,2 Button	100-S1-2994-HA	68	••••	
	24	PLAY SYNC Button	100-S1-2995-HA	69	Ground Plate	300-S1-2051-HA
	25	DUAL DECK Button	100-S1-2996-HA	70	Ground Plate	300-S1-2057-HA
	26	LM Lens	100-S1-2997-HA	71	Ground Plate	300-S1-2058-HA
	27	Tempo Lens	100-S1-2998-HA	72	Cover	300-S1-2059-HA
	28	Fixed Plate	100-S1-2999-HA	73	Isolation Plate	300-S1-2060-HA
	29	Strain Relief Bush	100-S1-3000-HA	74	Fixed Cover	300-33-1918-HA
	30	JW Ring	100-S1-3001-HA	75	1P Lead Wire	406-S1-1231-HA
D	31	VR Cover	100-S1-3002-HA	76	••••	
	32	CF Button	100-S1-3003-HA	77	30P 1.0 FFC Cable	406-S1-1233-HA
	33	Button	100-S1-3004-HA	78	37P 1.0 FFC Cable	406-S1-1234-HA
	34	SPEED PUSH Button	100-S1-3005-HA	79	37P 1.0 FFC Cable	406-S1-1235-HA
	35	FX Rotate Knob	100-S1-3006-HA	80	Dust-Proof Slice	501-HDJ9800-1648-HA
	36	Beat Rotate Knob	100-S1-3007-HA	81	Deck Panel	501-S1-2521-HA
	37	Gain Rotate Knob	100-S1-3008-HA	82	Front Panel	501-S1-2522-HA
	38	Filter Rotate Knob	100-S1-3009-HA	83	Search Panel	501-S1-2524-HA
	39	Browser Rotate Knob	100-S1-3010-HA	84	Isolation Slice	501-S1-2542-HA
	40	CENSOR Button	100-S1A-2989-HA	85	••••	
E	41	DECK 2 Button	100-S1A-2990-HA	86	Clip (1mm)	603-S1-394-HA
	42	TAP Button	100-S1A-2993-HA	87	Clip	603-S1-395-HA
	43	IN/OUT Button	100-S1A-2994-HA	88	Velocity Soft Knob	604-S1-608-HA
	44	CENSOR Button (-)	100-S1B-2989-HA	89	Sponge	612-DJFA-373-HA
	45	DECK 3 Button	100-S1B-2990-HA	90	Foot Mat	612-S1-445-HA

F

<u>Mark No.</u>	<u>Description</u>	<u>Part No.</u>	
91	Cushion	612-S1-449-HA	
92	Cushion	612-S1-450-HA	
93	Sponge (8*6*18mm)	612-S1-451-HA	A
94	Cushion	612-S1-459-HA	
95	Shade Cover	505-S1-243-HA	
96	Sponge	612-F300-358-HA	
97	Nut (M3*P0.5,CD,PB,HH)	601-A100-004-HA	
98	Nut (M5,7.9*3.8MM)	601-MM1000-029-HA	
99	Nut BLK+Gear Washer	601-R2150-033-HA	
100	Washer	606-KMD280-081-HA	
101	Washer	606-DDJLE-260-HA	
102	Washer (10*3.2*1T)	606-S1-007-HA	B
103	Washer	606-S1-261-HA	
104	E Type Washer	606-S1-262-HA	
105	Screw (TTB,2*5,MC)	602-A700-494-HA	
106	Screw	602-BTB3012-446B-HA	
107	Screw (SAE1018PTP3*8)	602-B600-057-HA	
108	Screw	602-B600-072-HA	
109	Screw (CTF,M3*10)	602-CTF3010-698B-HA	
110	Screw	602-DJ5500-452-HA	
111	Screw (M3*8)	602-HMD510B-198-HA	C
112	Screw (M2*P0.4*L6)	602-HP1010K-181-HA	
113	Screw	602-HP1010K-182-HA	
114	Screw	602-MK7-131-HA	
115	Screw	602-MP3-324-HA	
116	Screw	602-PROS2-363-HA	
117	Screw (TTP,3*L12)	602-PTP3012-571-HA	
118	Screw	602-QMX2BPM-322-HA	
119	Screw	602-SA12-414-HA	
120	Screw (2.6*8 TTP)	602-SL24F-099-HA	D
121	••••		
122	Screw (3*8MM TTB)	602-2002-077-HA	
123	Screw (3*10M/M)	602-3113-122-HA	
124	Sponge	612-S1-461-HA	
125	USB Fixed Plate	300-S1-2069-HA	
126	Twin Adhesive	501-S1-2526-HA	
127	Wheel Assy	704-S1-1383-HA	

E

F

# 12. PCB PARTS LIST

NOTES: ● Parts marked by "NSP" are generally unavailable because they are not in our Master Spare Parts List.

● The  $\Delta$  mark found on some component parts indicates the importance of the safety factor of the part. Therefore, when replacing, be sure to use parts of identical designation.

● Although the cables that are directly mounted on each PCB Assy are listed individually as electrical parts of the corresponding PCB Assy in the parts list, those cables are included with each PCB Assy for service when it is supplied.

**Mark No. Description Part No.**

## LIST OF ASSEMBLIES

1..CONTROL PCB ASSY A	704-DDJS1-A421-HA
1..CONTROL PCB ASSY B	704-DDJS1-A454-HA
1..TRANSFER PCB ASSY	704-DDJS1-A429-HA
1..DSP PCB ASSY	704-DDJS1-A418-HA
1..OUTPUT PCB ASSY	704-DDJS1-A425-HA
1..BAL. PCB ASSY	704-DDJS1-A423-HA
1..MIX PCB ASSY	704-DDJS1-A417-HA
1..CH FADER PCB ASSY	704-DJM250-A032-HA
1..FRONT PCB ASSY	704-DDJS1-A424-HA
1..TOUCH PCB ASSY	704-DDJS1-A426-HA
1..LED PCB ASSY	704-DDJS1-A422-HA
1..SENSOR PCB ASSY	704-PDJ33-A007-HA

**Mark No. Description Part No.**

## A CONTROL PCB ASSY A

## B CONTROL PCB ASSY B

### SEMICONDUCTORS

D514,515,523-530 LED(BLUE)	410-CDI600-357V-HA
D531 LED(YELLOW GREEN)	410-DJ5000-252V-HA
D500-513,518-522,541-546 LED(RED)	410-DJ5000-253V-HA
D532 LED (YELLOW )	410-HDJ2000-162V-HA
D533-540 LED(BLUE)	410-S1-421-HA
D516,517 LED(WHITE,3)	410-S1-422-HA
D574-574,577 SWITCHING DIODE	414-CD1000-075A-HA
ZD500,D575,576 ESD DIODE	414-RMP3-285-HA
D537-539,533-536,540 LED HOLDER	504-DD5250A-073-HA

### MISCELLANEOUS

SW527,528 TACT SW	403-DDJLE-416-HA
SW529 ENCODER	403-DDJLE-418-HA
SW500-526 TACT SW	403-DDJLE-419-HA
CN501 4P SOCKET	404-DCM270E3-878A-HA
W500 6P CONNECTOR WIRE	404-S1-3759-HA
1P GROUND WIRE	406-S1-1239-HA
L500 INDUCTANCE	415-USOLOPA-342-HA

### RESISTORS

R577 CARBON FILM RESISTOR	412-3113-078-HA
VR500-502 ROTARY VR(20KB)	418-S1-694-HA
P500 SLIDE VR(10*2)	418-S1-695-HA

### CAPACITORS

C523,524 ELEC. CAPACITOR	413-CDN34-355-HA
C522 E/C	413-CDVD2001-265-HA
C525-527 ELEC.CAPACITOR	413-HMA2200-5017-HA
C508 ELEC. CAPACITOR	413-SPPW3-235-HA
C524 CUSHION	612-S1-448-HA

## C TRANSFER PCB ASSY

There is no service parts.

**Mark No. Description Part No.**

## D DSP PCB ASSY

### SEMICONDUCTORS

Q4,7 TRANSISTOR	416-CDN88-044-HA
Q6 TRANSISTOR	416-CDN88-045-HA
Q1 TRANSISTOR	416-CTB200-166-HA
Q11,14 TRANSISTOR	416-CTB200-178-HA
Q2,3 TRANSISTOR	416-UDJ200-347-HA
Q9,10,12,13,15,16,21-24 TRANSISTOR	416-3000-378-HA
Q27-38 TRANSISTOR	416-3000-378-HA
D547-574,577 SWITCHING DIODE	414-CD1000-075A-HA
ZD1-5 ZENER DIODE	414-DDJLE-332-HA
D8-11,28-31 ESD DIODE	414-DJ1100G-207-HA
D33 ESD DIODE	414-RMP3-285-HA
D24-27,32 TVS DIODE	414-UDJ200-284-HA
D3,4,16-18,23 DIODE	414-007USB-148-HA

### MISCELLANEOUS

JK8 JACK GROUND PLATE FIXED PLATE(M3*P0.5)	300-300-1171-HA 300-4500-2010A-HA
SW1 POWER SWITCH	403-VP9812-162-HA
CN6 3P SOCKET	404-HP1010K-259A-HA
CN5A,5B 8P SOCKET	404-KT300-079A-HA
W9 4P CONNECTOR WIRE	404-S1-3757-HA
W4A 7P CONNECTOR WIRE	404-S1-3760-HA
CN8 5P SOCKET	404-1210S-094A-HA
CN7 6P SOCKET	404-3113-052A-HA
L16 TDK COMMON FILTERS	415-FU800-305-HA
L2,6,9,10,12-14,19,21 BEAD CORE	415-HV3500K-090-HA
L8,20 CORE	415-MC2-401-HA
L17,23 INDUCTOR(10UH T-26MM)	415-MPG100-047-HA
L11 CORE	415-PDJ33-381-HA
L4,5 INDUCTANCE	415-USOLOPA-342-HA
W9 EMI CORE(RI 14*8*10)	415-390-277-HA
JK1 DC POWER JACK	420-CDMIX1-078-HA
JK4-7 2P RCA JACK	420-HDJ7000-045-HA
JK3 MIC JACK	420-MH2-223-HA
JK8 MIC JACK	420-SMX211-137-HA
JK2 USB JACK	420-S1-377-HA
CN9,10 SERIES STRIP PINHEAD	424-HDJ9700-069-HA
X1 CRYSTAL (6MHz)	427-S1-143-HA
X2,3 CRYSTAL (24 MHz)	427-S1-144-HA
X4 CRYSTAL (24.576 MHz)	427-S1-145-HA
FIXED PLATE ASS'Y	703-200U-1170A-HA

### RESISTORS

R409,410 CARBON FILM RESISTOR	412-CDG11-466-HA
R7 CARBON FILM RESISTOR	412-HMA2200-5019-HA
R415,416 CARBON FILM RESISTOR	412-HT801K-219-HA
R411,412 CARBON FILM RESISTOR	412-SA12-566-HA

**Mark No. Description Part No.****CAPACITORS**

C209,425 E/C	413-CDVD2001-265-HA
C420-422 ELEC. CAPACITOR	413-DV300-292-HA
C109,169,199,299,263 ELEC.CAPACITOR	413-HMA2200-5017-HA
C307,339 ELEC.CAPACITOR	413-HMA2200-5017-HA
C167,168,197,198,227 ELEC.CAPACITOR	413-HT801K-191-HA

C228,261,262 ELEC.CAPACITOR	413-HT801K-191-HA
C81,104,354,355-359 ELEC.CAPACITOR	413-HT801K-192-HA
C360,361 ELEC.CAPACITOR	413-HT801K-192-HA
C13,148,245,298-301 ELEC.CAPACITOR	413-HT801K-193-HA
C330-334 ELEC.CAPACITOR	413-HT801K-193-HA

C6,12 ELEC.CAPACITOR	413-HT8015-169-HA
C82,106 TANTALUM CAPACITOR	413-MAIE-1211-HA
C280,281 ELEC.CAPACITOR	413-MC6000-1191-HA
C362 POLYESTER CAPACITOR	413-QSPAND-632-HA
C5,139,140,163,164,176 ELEC. CAPACITOR	413-SPPW3-235-HA

C177,193,194,206,207 ELEC. CAPACITOR	413-SPPW3-235-HA
C223,224,234,235,241 ELEC. CAPACITOR	413-SPPW3-235-HA
C257,258,266,304,312 ELEC. CAPACITOR	413-SPPW3-235-HA
C313,336,340,341 ELEC. CAPACITOR	413-SPPW3-235-HA
C38,147,244 ELEC. CAPACITOR	413-SPPW3-236-HA

C286,287,316,342,343 ELEC. CAPACITOR	413-SPPW3-237-HA
C363,366,428,429 ELEC. CAPACITOR	413-SPPW3-237-HA
C475 POLYESTER ACPACITOR	413-X050-1058-HA
C35,36,105 ELEC. CAPACITOR	413-007USB-828-HA
C180,181,210,211 POLYESTER CAPACITOR	413-205-958A-HA

C182,183,212,213 POLYESTER CAPACITOR	413-900-934A-HA
--------------------------------------	-----------------

**OUTPUT PCB ASSY****MISCELLANEOUS**

JACK GROUND PLATE	300-300-1171-HA
W6 3P CONNECTOR WIRE	404-S1-3754-HA
W8 5P CONNECTOR WIRE	404-S1-3758-HA
W8 FERRITE CORE	415-VP9812-221-HA
W6 EMI CORE(RI 14*8*10)	415-390-277-HA

JK11 2P RCA JACK	420-HDJ7000-045-HA
JK9,10 3P PHONE JACK	420-HMJ1001-5034-HA

**BAL. PCB ASSY****MISCELLANEOUS**

W7 6P CONNCTOR WIRE	404-S1-3755-HA
JK12,13 XLR JACK	420-S1-375-HA
F1,F2 SMD FUSE	422-S1-111-HA

**MIX PCB ASSY****SEMICONDUCTORS**

D754,755,760,761 LED(BLUE)	410-CDI600-357V-HA
D720-749 LED(YELLOW GREEN)	410-DJ5000-252V-HA
D700-705,750-753,762-775 LED(RED)	410-DJ5000-253V-HA
D706-719 LED (YELLOW)	410-HDJ2000-162V-HA
D516,517 LED(WHITE,3)	410-S1-422-HA

D776-796 SWITCHING DIODE	414-CD1000-075A-HA
D797 DIODE	414-DV300-5014-HA
D798 ESD DIODE	414-RMP3-285-HA

**MISCELLANEOUS**

SW719 ENCODER	403-DDJLE-418-HA
SW700-718 TACT SW	403-DDJLE-419-HA

**Mark No. Description Part No.**

SW720-723 SLIDE SW	403-ID-333-HA
3P SOCKET	404-HMD5000-784A-HA
W700 CONNECTOR WIRE	404-S1-3756-HA

**RESISTORS**

R741 CARBON FILM RESISTOR	412-KM300-116-HA
R739,740 CARBON FILM RESISTOR	412-3113-068-HA
VR700-715,722 ROTARY VR(20KB)	418-S1-693-HA
VR716-721 ROTARY VR(20KB)	418-S1-694-HA
VR723-727 SLIDE VR	418-S1-701-HA

**CAPACITORS**

C746 ELEC. CAPACITOR	413-DV300-5155-HA
C706,747,748 ELEC.CAPACITOR	413-HMA2200-5017-HA
C708 CERAMIC CAPACITOR	413-3113-035-HA

**CH FADER PCB ASSY**

There is no service parts.

**FRONT PCB ASSY****MISCELLANEOUS**

FIXED PLATE	300-SC1M-1621-HA
PH FIXED PLATE	300-S1-2061-HA
ROTARY VR FIXED SHEET	300-TU3-1585-HA
FIXED PLATE(M3*P0.5)	300-4500-2010A-HA
VR FIXED PLATE	300-6000-1874-HA

SW1100-1103 SLIDE SW	403-S1-420-HA
CN9 4P SOCKET	404-DCM270E3-878A-HA
CN4B 7P SOCKET	404-HMD5000-785A-HA
CHASSIS*2 1P GROUND WIRE	406-S1-1240-HA
JK1100 HEADPHONE JACK	420-HDJ7100-063-HA

JK1101 3P PHONE JACK	420-HMJ1001-5034-HA
----------------------	---------------------

**RESISTORS**

R1100-1107 METAL FILM RESISTOR	412-DFX1-653-HA
R1108-1111 CARBON FILM RESISTOR	412-DV300-291-HA
VR1100,1101 ROTARY VR	418-DJAI-516-HA
VR1102,1103 HIDDEN VR(20KB)	418-S1-692-HA

**CAPACITORS**

C1111,1112 E/C	413-CDVD2001-265-HA
C1102-1110 CERAMIC CAPACITOR	413-3113-035-HA

**TOUCH PCB ASSY****MISCELLANEOUS**

W5 8P CONNECTOR WIRE	404-S1-3761-HA
----------------------	----------------

**LED PCB ASSY****MISCELLANEOUS**

WIRE(RED)	407-S1-307-HA
WIRE(BLUE)	407-S1-308-HA
WIRE(WHITE)	407-S1-309-HA
WIRE(BLACK)	407-S1-310-HA
WIRE(GREEN)	407-S1-311-HA

WIRE(YELLOW)	407-S1-312-HA
--------------	---------------

**SENSOR PCB ASSY**

M301 4P CONNECTOR WIRE	404-PDJ33-3591V-HA
------------------------	--------------------