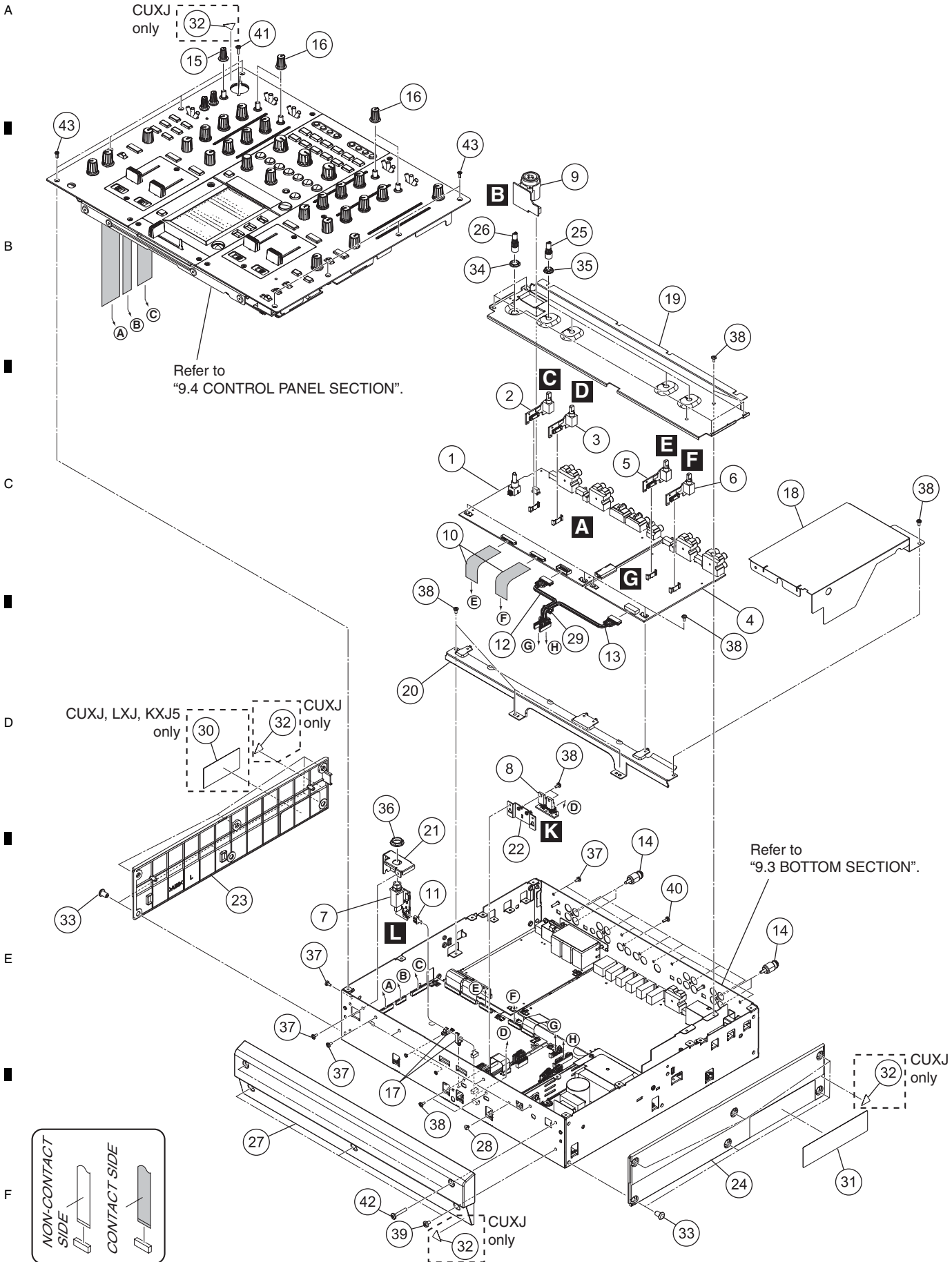


9.2 EXTERIOR SECTION

1 2 3 4



1 2 3 4

(1) EXTERIOR SECTION PARTS LIST

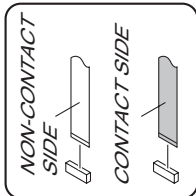
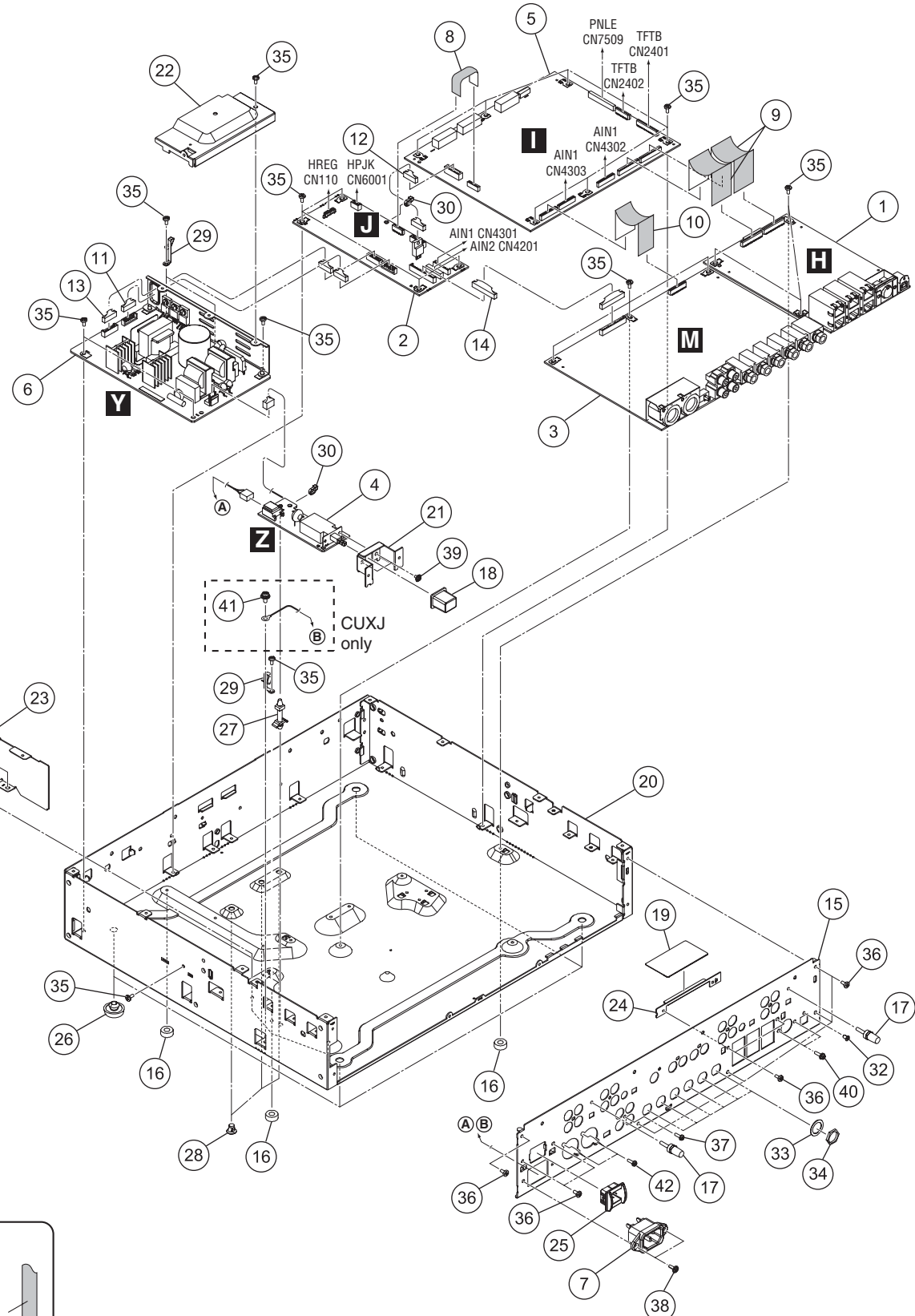
Mark No.	Description	Part No.	Mark No.	Description	Part No.
1	AIN1 Assy	DWX2922	26	Extension Shaft B	DNK5366
2	TRIM1 Assy	DWX2935	27	Front Panel	DNK5371
3	TRIM2 Assy	DWX2936	28	Push Rivet	XEC3034
4	AIN2 Assy	DWX2923	29	Binder	ZCA-SKB90BK
5	TRIM3 Assy	DWX2937	NSP 30	Caution Label	See Contrast table (2)
6	TRIM4 Assy	DWX2938	NSP 31	Name Label	See Contrast table (2)
7	HPJK Assy	DWX2939	NSP 32	Caution Label	See Contrast table (2)
8	HREG Assy	DWX2940	33	Rivet (Plastic)	AEC1877
9	MCJK Assy	DWX2934	34	Flange Nut M9	DBN1008
10	20P FFC	DDD1510	35	Flange Nut M7	DBN1011
11	Connector Assy	PF04PP-D20	36	Flange Nut M12	DBN1012
12	Connector Assy	PF07EE-D10	37	Screw	BBZ30P060FTB
13	Connector Assy	PF07EE0D12	38	Screw	BBZ30P060FTC
14	Short Pin Plug	AKM7008	39	Screw	BCZ40P060FTB
15	Rotary SW Knob S (B)	DAA1178	40	Screw	BPZ30P080FTB
16	Rotary SW Knob S (C)	DAA1204	41	Screw	BPZ30P100FTB
17	Locking Mini Clamp	DEC2439	42	Screw	BSZ40P220FTB
18	Barrier (W)	DEC3271	43	Screw	CCZ30P080FTB
19	TRIM Stay	DNF1813			
20	Input Stay	DNF1819			
21	HP Stay	DNF1820			
22	Heat Sink	DNF1850			
23	Side Panel L	DNK5363			
24	Side Panel R	DNK5364			
25	Extension Shaft A	DNK5365			

(2) CONTRAST TABLE

DJM-2000/SYXJ8, CUXJ, LXJ, KXJ5 and AXJ5 are constructed the same except for the following:

Mark	No.	Symbol and Description	DJM-2000 /SYXJ8	DJM-2000 /CUXJ	DJM-2000 /LXJ	DJM-2000 /KXJ5	DJM-2000 /AXJ5
NSP	30	Caution Label	Not used	DRW2429	DRW2430	DRW2432	Not used
NSP	31	Name Label	DRW2423	DRW2424	DRW2425	DRW2428	DRW2427
NSP	32	Caution Label	Not used	DRW1975	Not used	Not used	Not used

9.3 BOTTOM SECTION



(1) BOTTOM SECTION PARTS LIST

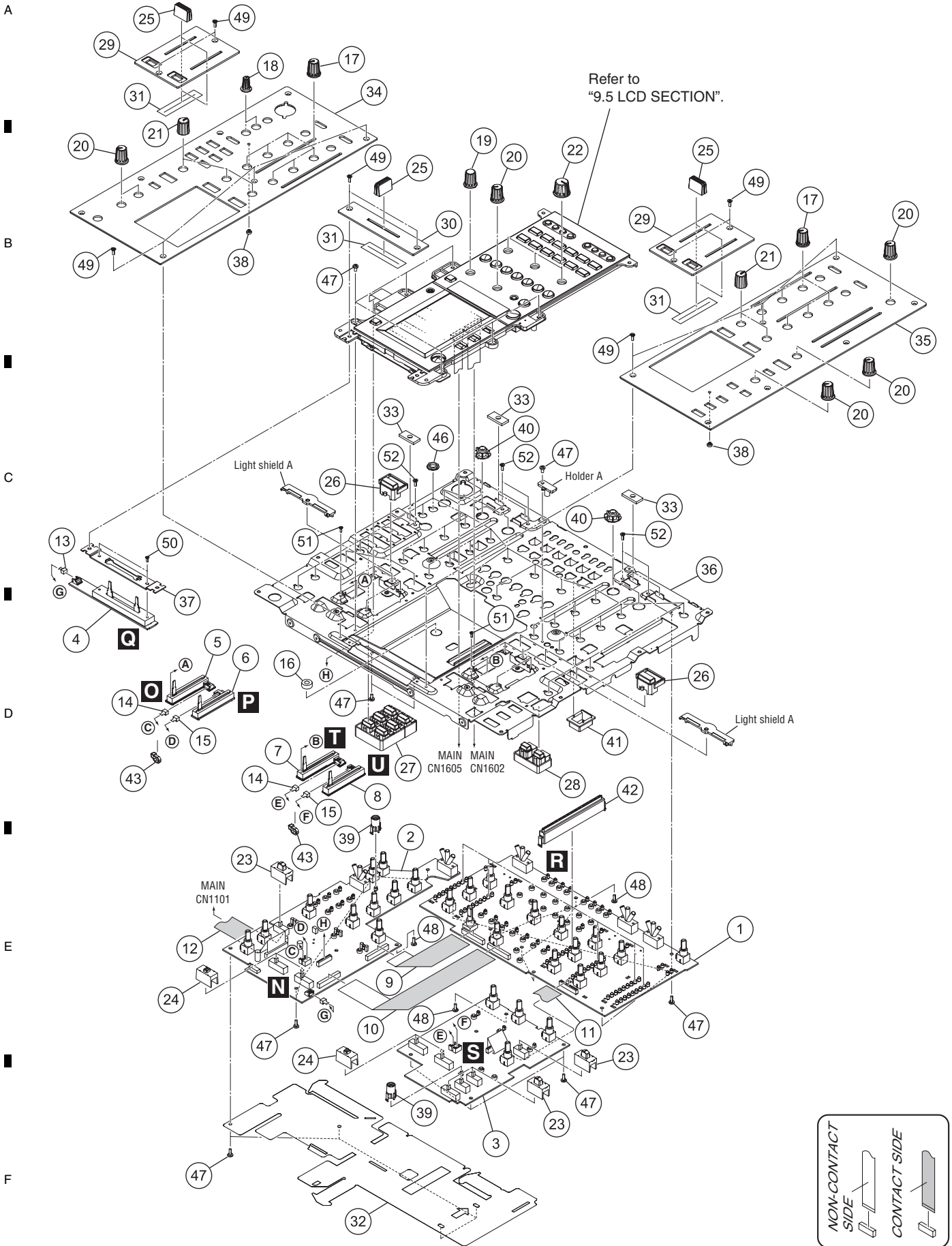
Mark No.	Description	Part No.	Mark No.	Description	Part No.
1	PCIF Assy	DWX2925	26	Foot (Rubber)	REC-434
2	HAMP Assy	DWX2919	NSP 27	PC Support	VEC1584
3	AOUT Assy	DWX2924	NSP 28	PC Support	VEC1749
4	ACSW Assy	DWX2918	29	Cord Clamper (Steel)	RNH-184
5	MAIN Assy	DWX2920	30	Binder	ZCA-SKB90BK
⚠	6 POWER SUPPLY Assy	DWR1473 or DWR1492	31	•••••	
⚠	7 AC Inlet Assy	See Contrast table (2)	32	Screw (M3 x5)	DBA1340
8	12P FFC	DDD1507	33	Washer	DEC2920
9	26P FFC	DDD1509	34	Nut (M12)	NKX2FNI
10	20P FFC	DDD1510	35	Screw	BBZ30P060FTC
11	Connector Assy	PF06EE-D20	36	Screw	BBZ30P060FTB
12	Connector Assy	PF08PP-D10	37	Screw	BPZ30P080FTB
13	Connector Assy	PF08PP-D20	38	Screw	IBZ30P080FTB
14	Connector Assy	PF12EE-D10	39	Screw	IMZ30P040FTC
15	Rear Panel	See Contrast table (2)	40	Screw	PMH30P100FTB
NSP 16	Spacer	AEB7092	41	Screw	See Contrast table (2)
17	Terminal Screw	AKE-031	42	Screw	PPZ30P080FTB
18	Power Knob	DAC2306			
19	Barrier (LAN)	DEC3169			
NSP 20	Chassis	DNA1362			
21	Bracket PSW	DNF1759			
22	Power Shield	DNF1815			
23	AC Shield	DNF1816			
24	Earth Plate	DNF1858			
25	Power Knob Guard	DNK4534			

(2) CONTRAST TABLE

DJM-2000/SYXJ8, CUXJ, LXJ, KXJ5 and AXJ5 are constructed the same except for the following:

Mark	No.	Symbol and Description	DJM-2000 /SYXJ8	DJM-2000 /CUXJ	DJM-2000 /LXJ	DJM-2000 /KXJ5	DJM-2000 /AXJ5
⚠	7	AC Inlet Assy (2P)	DKP3762	Not used	DKP3762	DKP3762	DKP3762
⚠	7	AC Inlet Assy (3P)	Not used	DKP3761	Not used	Not used	Not used
	15	Rear Panel	DNC1916	DNC1917	DNC1918	DNC1921	DNC1920
	41	Screw	Not used	PMH40P080FTC	Not used	Not used	Not used

9.4 CONTROL PANEL SECTION

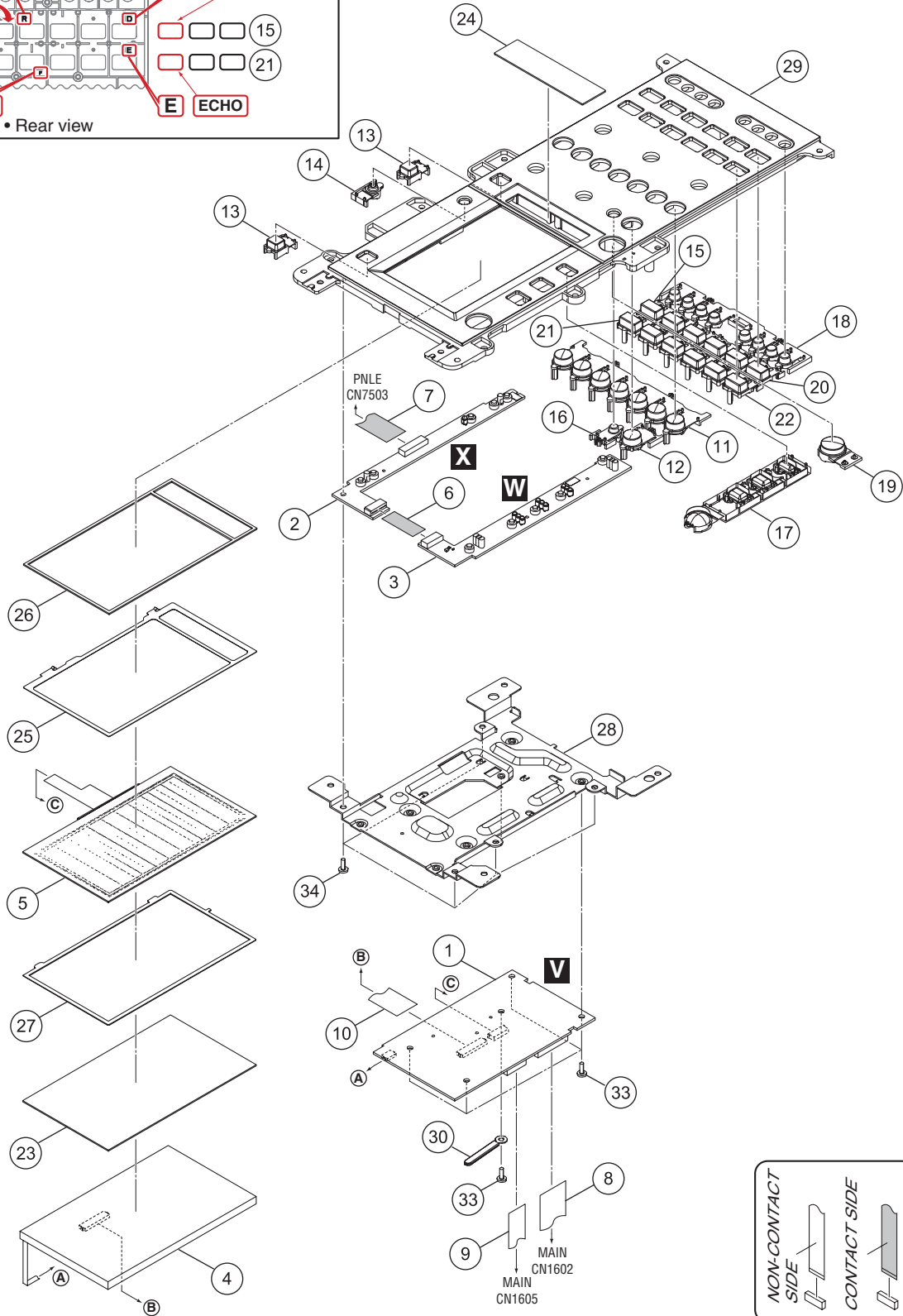
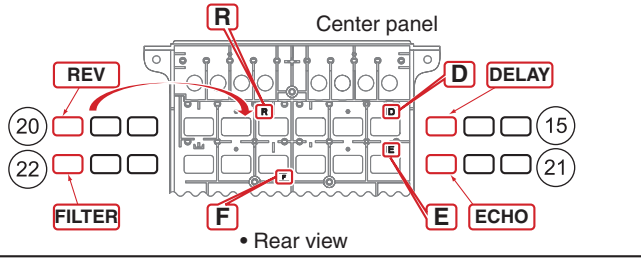


CONTROL PANEL SECTION PARTS LIST

<u>Mark No.</u>	<u>Description</u>	<u>Part No.</u>	<u>Mark No.</u>	<u>Description</u>	<u>Part No.</u>	
1	PNCE Assy	DWX2926	46	Flange Nut M9	DBN1008	
2	PNLE Assy	DWX2927	47	Screw	BBZ30P060FTC	A
3	PNRI Assy	DWX2928	48	Screw	BPZ30P080FTB	
4	CRFD Assy	DWX2929	49	Screw	CCZ30P080FTB	
5	CFD1 Assy	DWX2930	50	Screw	IMZ30P040FTC	
6	CFD2 Assy	DWX2931	51	Screw	PMA20P040FTC	
7	CFD3 Assy	DWX2932	52	Screw	AMZ26P040FTC	
8	CFD4 Assy	DWX2933				
9	32P FFC	DDD1504				
10	32P FFC	DDD1505				
11	25P FFC	DDD1506				B
12	32P FFC	DDD1508				
13	Connector Assy	PF03PP-B10				
14	Connector Assy	PF04PP-B05				
15	Connector Assy	PF04PP2B05				
NSP	16 Spacer	AEB7092				
	17 Rotary SW Knob (B)	DAA1176				
	18 Rotary SW Knob S (A)	DAA1177				
	19 Rotary SW Knob (C)	DAA1180				
	20 Rotary Knob (BN)	DAA1220				C
	21 Knob (RES)	DAA1250				
	22 Knob (FREQUENCY)	DAA1253				
	23 Slide SW Cap	DAC2400				
	24 Slide SW Cap (W)	DAC2401				
	25 Slider Knob	DAC2501				
	26 Button (CUE)	DAC2503				
	27 Button (CFX)	DAC2510				
	28 Button (MIDI)	DAC2511				
	29 CHF Panel	DAH2691				D
	30 CRF Panel	DAH2692				
	31 Fader Packing	DEC2903				
	32 Barrier (Panel)	DEC3171				
	33 SW Packing	DED1177				
	34 Control Panel L	DNB1168				
	35 Control Panel R	DNB1169				
	36 Panel Stay	DNF1812				
	37 CRF Stay	DNF1855				
	38 Lens	DNK4532				E
	39 Lens Holder	DNK4533				
	40 Bush	DNK5367				
	41 Light Shield	DNK5583				
	42 Level Meter Assy	DXB1882				
	43 Binder	ZCA-SKB90BK				
	44 •••••					
	45 •••••					

9.5 LCD SECTION

Note:
 The shape of the groups of buttons 15, 20, 21, and 22 is the same.
 To identify the attachment position of each group of buttons during reassembly, the initial letter of the name of the left button of a group is engraved on the back of the Center panel (No. 29).



LCD SECTION PARTS LIST

<u>Mark No.</u>	<u>Description</u>	<u>Part No.</u>	
1	TFTB Assy	DWX2921	
2	TPLE Assy	DWX3010	A
3	TPRI Assy	DWX3011	
4	LCD	CWX3868	
5	Touch Panel	DSX1081	
6	12P FFC	DDD1507	
7	19P FFC	DDD1513	
8	26P FFC	DDD1514	
9	16P FFC	DDD1515	
10	40P FFC	DDD1541	
11	Button (BEAT)	DAC2502	B
12	Button (TAP)	DAC2504	
13	Button (CUE) S	DAC2505	
14	Button (SETTING)	DAC2506	
15	Button (FX SEL A)	DAC2507	
16	Button (AUTO)	DAC2508	
17	Button (REMIX)	DAC2509	
18	Button (CH SEL)	DAC2512	
19	Button (FX)	DAC2513	
20	Button (FX SEL B)	DAC2597	C
21	Button (FX SEL C)	DAC2598	
22	Button (FX SEL D)	DAC2599	
23	Protect Plate	DAH2767	
24	Display Plate (PC)	DAH2768	
25	TFT Earth Spring	DBK1367	
26	Touch Panel Pad	DEC3168	
27	Touch Panel Spacer	DEC3269	
28	LCD Stay	DNF1818	
29	Center Panel	DNK5370	D
30	Cord Clamper (Steel)	RNH-184	
31		
32		
33	Screw	BBZ30P060FTC	
34	Screw	BPZ30P080FTB	