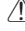
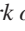


# 9. EXPLODED VIEWS AND PARTS LIST

NOTES: ● Parts marked by "NSP" are generally unavailable because they are not in our Master Spare Parts List.

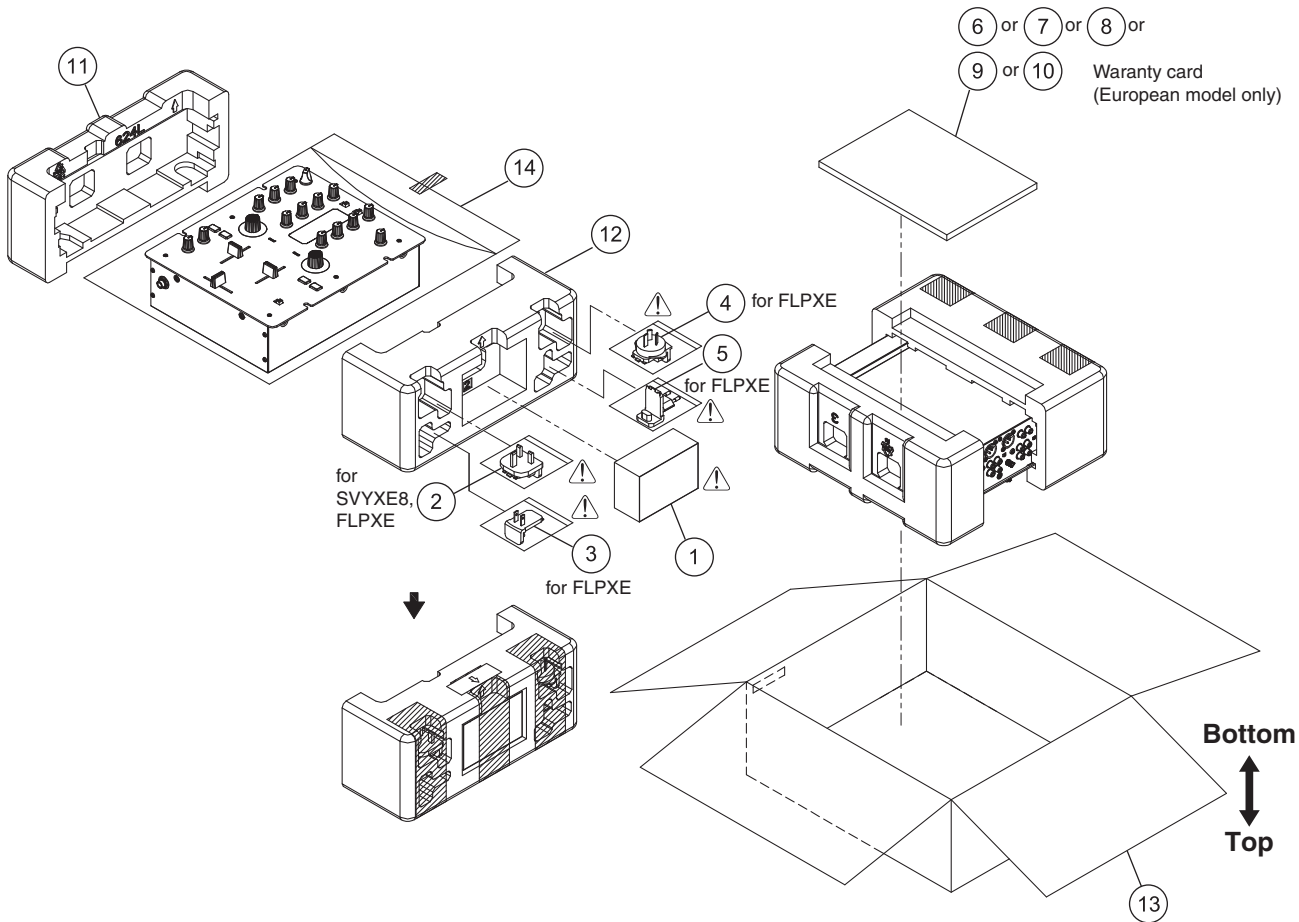
● The  mark found on some component parts indicates the importance of the safety factor of the part. Therefore, when replacing, be sure to use parts of identical designation.

● Screws adjacent to  mark on product are used for disassembly.

● For the applying amount of lubricants or glue, follow the instructions in this manual.

(In the case of no amount instructions, apply as you think it appropriate.)

## 9.1 PACKING SECTION



**(1) PACKING SECTION PARTS LIST**

<u>Mark No.</u>	<u>Description</u>	<u>Part No.</u>
⚠	1 AC Adapter	See Contrast table (2)
⚠	2 Power Plug	See Contrast table (2)
⚠	3 Power Plug	See Contrast table (2)
⚠	4 Power Plug	See Contrast table (2)
⚠	5 Power Plug	See Contrast table (2)
	6 Operating Instructions	See Contrast table (2)
	7 Operating Instructions	See Contrast table (2)
	8 Operating Instructions	See Contrast table (2)
	9 Operating Instructions	See Contrast table (2)
	10 Operating Instructions	See Contrast table (2)
	11 Polyfoam L	See Contrast table (2)
	12 Polyfoam R	See Contrast table (2)
	13 Gift Box	See Contrast table (2)
	14 Soft Bag	509-DJM250-109-HA

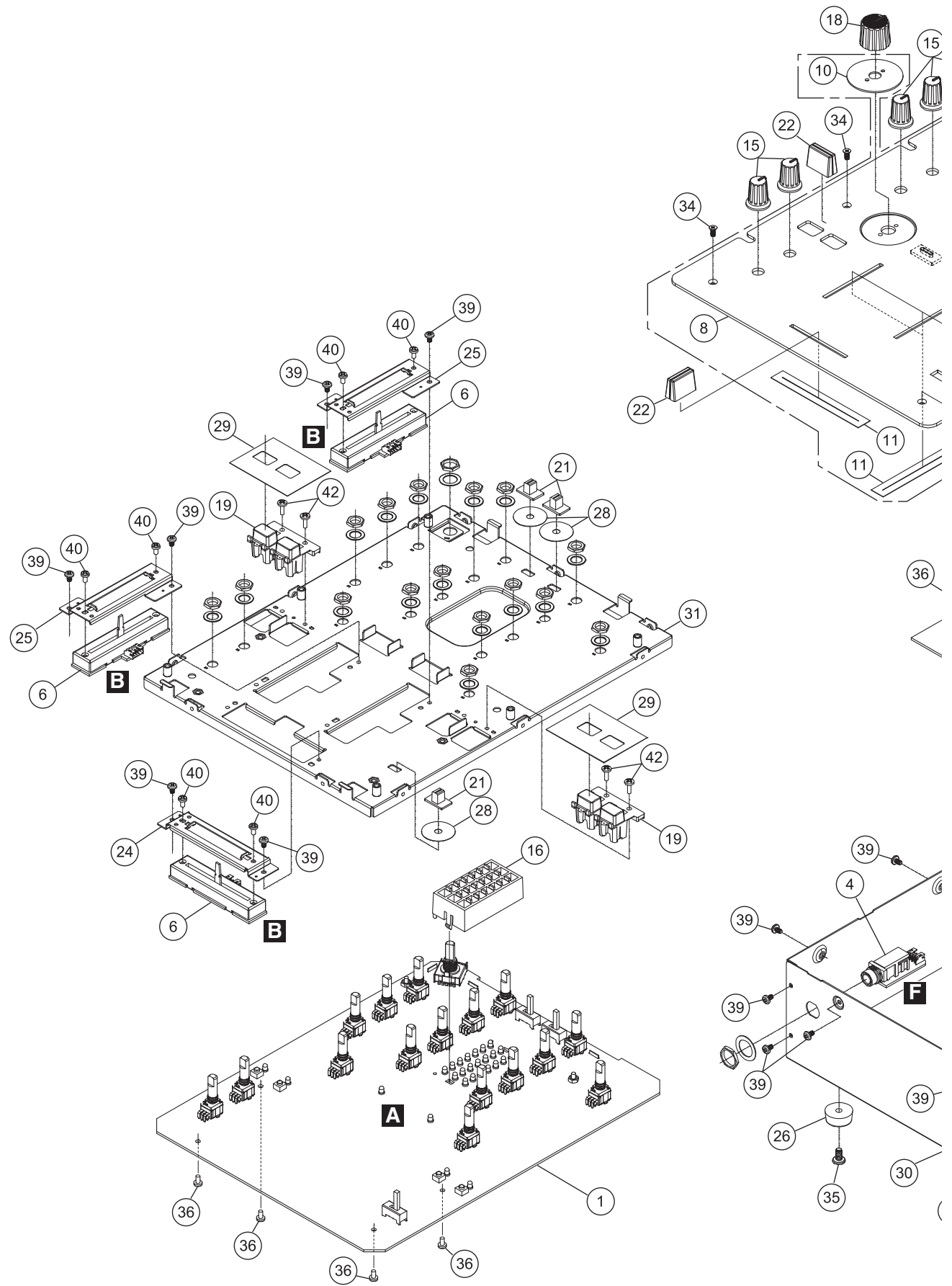
**(2) CONTRAST TABLE**

DJM-250-W/SVYXE8, UXECB, FLPXE, KXE5, AXE5, DJM-250-K/SVYXE8, UXECB, FLPXE, KXE5 and AXE5 are constructed the same except for the following:

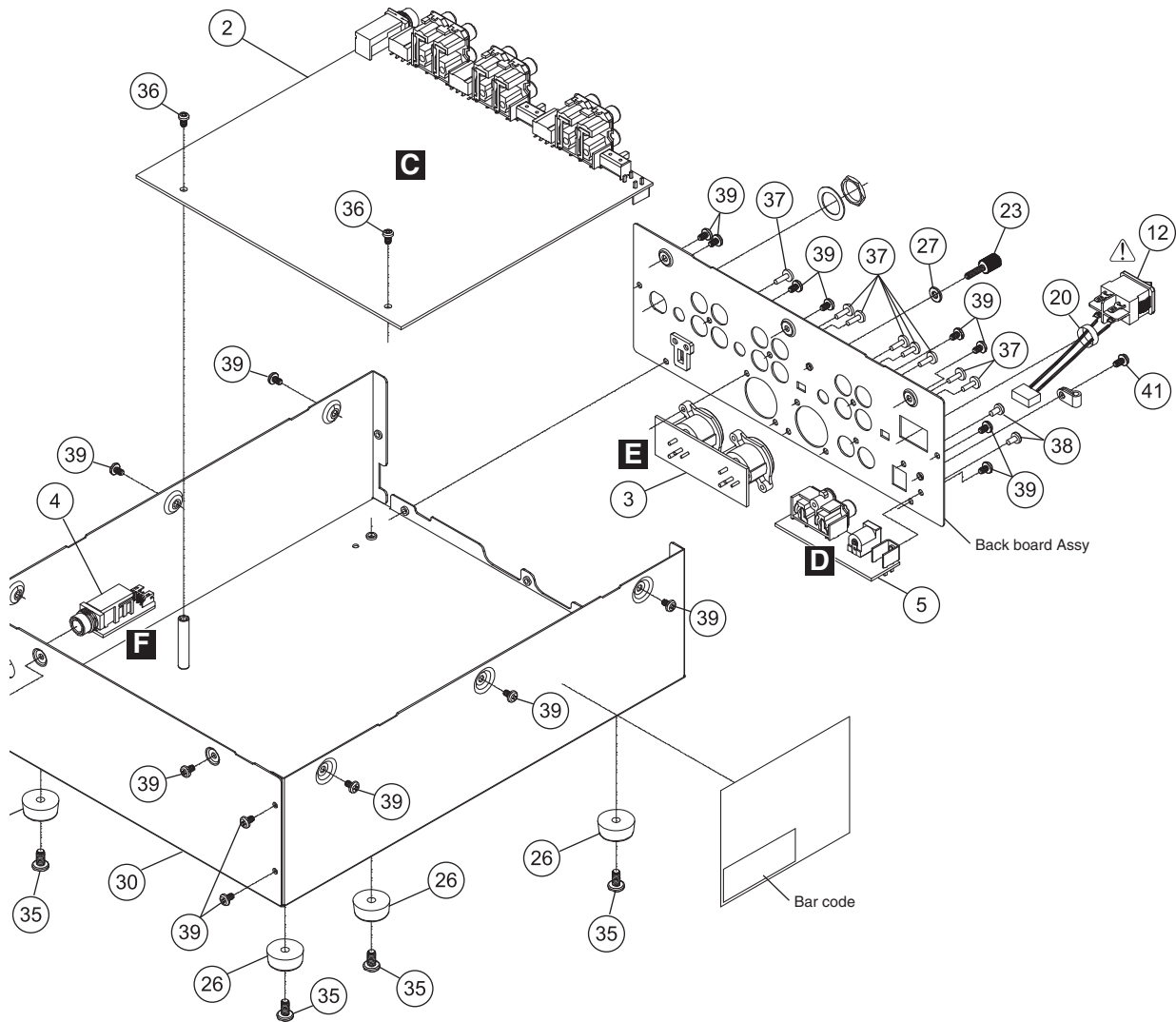
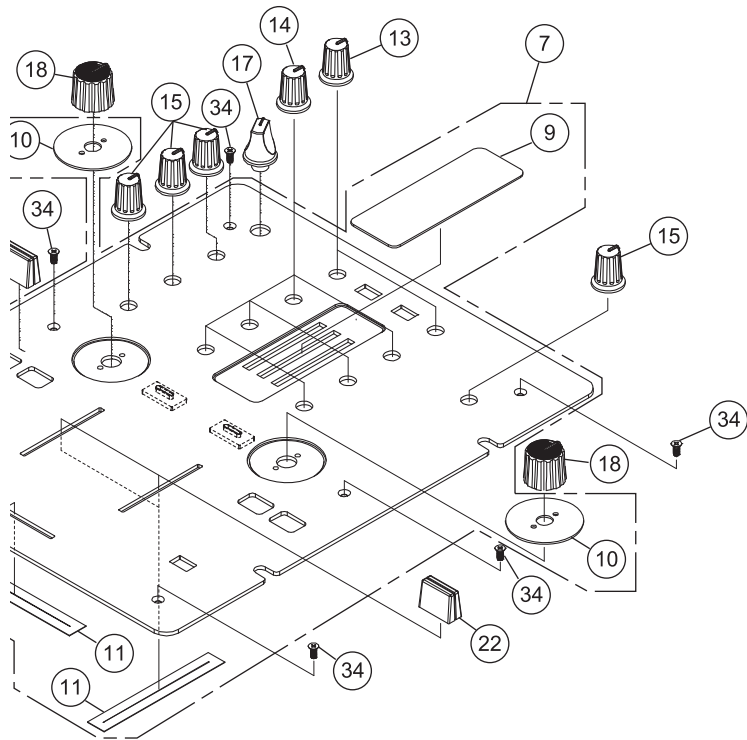
Mark	No.	Symbol and Description	DJM-250-W /SVYXE8	DJM-250-W /UXECB	DJM-250-W /FLPXE	DJM-250-W /KXE5	DJM-250-W /AXE5
⚠	1	AC Adapter	411-DJM250-842-HA	411-DJM250-840-HA	411-DJM250-841-HA	411-DJM250-845-HA	411-DJM250-844-HA
⚠	2	Power Plug	420-DJM250-362-HA	Not used	420-DJM250-362-HA	Not used	Not used
⚠	3	Power Plug	Not used	Not used	420-DJM250-361-HA	Not used	Not used
⚠	4	Power Plug	Not used	Not used	420-DJM250-363-HA	Not used	Not used
⚠	5	Power Plug	Not used	Not used	420-DJM250-364-HA	Not used	Not used
	6	Operating Instructions (En, Fr, De, It, Ni, Es, Ru)	502-DM250B-3136-HA	Not used	Not used	Not used	Not used
	7	Operating Instructions (En)	Not used	502-DM250A-3135-HA	Not used	Not used	Not used
	8	Operating Instructions (En, Es, Zhtw)	Not used	Not used	502-DM250F-3140-HA	Not used	Not used
	9	Operating Instructions (Ko)	Not used	Not used	Not used	502-DM250E-3139-HA	Not used
	10	Operating Instructions (Zhcn, En)	Not used	Not used	Not used	Not used	502-DM250D-3138-HA
	11	Polyfoam L	506-DJM100-624L-HA	506-DJM100-624L-HA	506-DJM100-624L-HA	506-250BKE-626L-HA	506-DJM100-624L-HA
	12	Polyfoam R	506-DJM100-624R-HA	506-DJM100-624R-HA	506-DJM100-624R-HA	506-250BKE-626R-HA	506-DJM100-624R-HA
	13	Gift Box	507-250WHB-3300-HA	507-250WHA-3300-HA	507-250WHF-3300-HA	507-250WHE-3305-HA	507-250WHD-3300-HA

Mark	No.	Symbol and Description	DJM-250-K /SVYXE8	DJM-250-K /UXECB	DJM-250-K /FLPXE	DJM-250-K /KXE5	DJM-250-K /AXE5
⚠	1	AC Adapter	411-DJM250-842-HA	411-DJM250-840-HA	411-DJM250-841-HA	411-DJM250-845-HA	411-DJM250-844-HA
⚠	2	Power Plug	420-DJM250-362-HA	Not used	420-DJM250-362-HA	Not used	Not used
⚠	3	Power Plug	Not used	Not used	420-DJM250-361-HA	Not used	Not used
⚠	4	Power Plug	Not used	Not used	420-DJM250-363-HA	Not used	Not used
⚠	5	Power Plug	Not used	Not used	420-DJM250-364-HA	Not used	Not used
	6	Operating Instructions (En, Fr, De, It, Ni, Es, Ru)	502-DM250B-3136-HA	Not used	Not used	Not used	Not used
	7	Operating Instructions (En)	Not used	502-DM250A-3135-HA	Not used	Not used	Not used
	8	Operating Instructions (En, Es, Zhtw)	Not used	Not used	502-DM250F-3140-HA	Not used	Not used
	9	Operating Instructions (Ko)	Not used	Not used	Not used	502-DM250E-3139-HA	Not used
	10	Operating Instructions (Zhcn, En)	Not used	Not used	Not used	Not used	502-DM250D-3138-HA
	11	Polyfoam L	506-DJM100-624L-HA	506-DJM100-624L-HA	506-DJM100-624L-HA	506-250BKE-626L-HA	506-DJM100-624L-HA
	12	Polyfoam R	506-DJM100-624R-HA	506-DJM100-624R-HA	506-DJM100-624R-HA	506-250BKE-626R-HA	506-DJM100-624R-HA
	13	Gift Box	507-DJM250B-3300-HA	507-DJM250A-3300-HA	507-DJM250F-3300-HA	507-250BKE-3305-HA	507-DJM250D-3300-HA

# 9.2 EXTERIOR SECTION



DJM-250-W



**(1) EXTERIOR SECTION PARTS LIST**

<b>Mark No.</b>	<b>Description</b>	<b>Part No.</b>	<b>Mark No.</b>	<b>Description</b>	<b>Part No.</b>
A	1 MIXER PCB Assy	704-DJM250-A026-HA	21	Push Button	100-MX200-2706-HA
	2 I/O PCB Assy	704-DJM250-A028-HA	22	Push Button	100-33-2824-HA
	3 BALANCE OUTPUT PCB Assy	704-DJM250-A029-HA	23	Ground Terminal	200-GND-642-HA
	4 PHONE PCB Assy	704-DJM250-A030-HA	24	Fixed Plate	300-DJM100-1960-HA
	5 MASTER PCB Assy	704-DJM250-A031-HA	25	Fixed Plate	300-DJM100-1961-HA
	6 CH FADER PCB Assy	704-DJM250-A032-HA	26	Rubber Foot (NBR, 70)	604-BEAT4-238-HA
	7 1..FP Assy	See Contrast table (2)	27	Washer (8x3.2x1T, Ni)	606-Q2221-122-HA
	8 2..Front Panel	See Contrast table (2)	28	Non-Woven Fabrics	612-DJM100-405-HA
	9 2..LM Decoration	See Contrast table (2)	29	Cushion	612-DJM250-412-HA
	10 2..Filter Decoration	See Contrast table (2)	30	Base Assy	703-DJM100-1353-HA
B	11 2..Cushion (75x15x0.3T)	612-AKS4-186-HA	31	Front Board Assy	703-DJM100-1354-HA
⚠	12 Power SW	403-DJ1-107A-HA	32	•••••	
	13 Rotary Knob	See Contrast table (2)	33	•••••	
	14 Rotary Knob	See Contrast table (2)	34	Screw (CTF, 3x7)	See Contrast table (2)
	15 Rotary Knob	100-DJM250-2826-HA	35	Screw	602-BEAT4-440-HA
	16 Anti-Dazzling Base	100-DJM100-2872-HA	36	Screw (3x5 P=0.5)	602-B300-041-HA
	17 Band Rotational Knob	100-DJM100-2873-HA	37	Screw	602-DJ5500-452-HA
	18 Filter Knob	100-DJM100-2874-HA	38	Screw	602-MP3-324-HA
	19 Limpid Button	100-DJM100-2875-HA	39	Screw	602-QMX2BPM-322-HA
C	20 Cable Clamp	100-K1-2682-HA	40	Screw	602-SA12-414-HA
			41	Screw	602-WISO3006-652B-HA
			42	Screw (3x8)	602-XM610-526-HA

**(2) CONTRAST TABLE**

DJM-250-W/SVYXE8, UXECB, FLPXE, KXE5, AXE5, DJM-250-K/SVYXE8, UXECB, FLPXE, KXE5 and AXE5 are constructed the same except for the following:

<b>Mark</b>	<b>No.</b>	<b>Symbol and Description</b>	<b>DJM-250-W /SVYXE8</b>	<b>DJM-250-W /UXECB</b>	<b>DJM-250-W /FLPXE</b>	<b>DJM-250-W /KXE5</b>	<b>DJM-250-W /AXE5</b>
	7	FP Assy	705-DJM250W-1474HA	705-DJM250W-1474HA	705-DJM250W-1474HA	705-DJM250W-1474HA	705-DJM250W-1474HA
	8	Front Panel	300-DJM250W-1958-HA	300-DJM250W-1958-HA	300-DJM250W-1958-HA	300-DJM250W-1958-HA	300-DJM250W-1958-HA
	9	LM Decoration	501-DJM250W-2464-HA	501-DJM250W-2464-HA	501-DJM250W-2464-HA	501-DJM250W-2464-HA	501-DJM250W-2464-HA
	10	Filter Decoration	501-DJM250W-2465-HA	501-DJM250W-2465-HA	501-DJM250W-2465-HA	501-DJM250W-2465-HA	501-DJM250W-2465-HA
	13	Rotary Knob	100-DJM250-2826-HA	100-DJM250-2826-HA	100-DJM250-2826-HA	100-DJM250-2826-HA	100-DJM250-2826-HA
	14	Rotary Knob	100-DJM100-2826-HA	100-DJM100-2826-HA	100-DJM100-2826-HA	100-DJM100-2826-HA	100-DJM100-2826-HA
	34	Screw (CTF, 3x7)	602-AKS4-496B-HA	602-AKS4-496B-HA	602-AKS4-496B-HA	602-AKS4-496B-HA	602-AKS4-496B-HA

<b>Mark</b>	<b>No.</b>	<b>Symbol and Description</b>	<b>DJM-250-K /SVYXE8</b>	<b>DJM-250-K /UXECB</b>	<b>DJM-250-K /FLPXE</b>	<b>DJM-250-K /KXE5</b>	<b>DJM-250-K /AXE5</b>
	7	FP Assy	705-DJM250K-1473HA	705-DJM250K-1473HA	705-DJM250K-1473HA	705-DJM250K-1473HA	705-DJM250K-1473HA
	8	Front Panel	300-DJM100-1958-HA	300-DJM100-1958-HA	300-DJM100-1958-HA	300-DJM100-1958-HA	300-DJM100-1958-HA
	9	LM Decoration	501-DJM100-2464-HA	501-DJM100-2464-HA	501-DJM100-2464-HA	501-DJM100-2464-HA	501-DJM100-2464-HA
	10	Filter Decoration	501-DJM100-2465-HA	501-DJM100-2465-HA	501-DJM100-2465-HA	501-DJM100-2465-HA	501-DJM100-2465-HA
	13	Rotary Knob	100-DJM100-2826-HA	100-DJM100-2826-HA	100-DJM100-2826-HA	100-DJM100-2826-HA	100-DJM100-2826-HA
	14	Rotary Knob	100-DJM250-2826-HA	100-DJM250-2826-HA	100-DJM250-2826-HA	100-DJM250-2826-HA	100-DJM250-2826-HA
	34	Screw (CTF, 3x7)	602-AKS4-496A-HA	602-AKS4-496A-HA	602-AKS4-496A-HA	602-AKS4-496A-HA	602-AKS4-496A-HA

# 12. PCB PARTS LIST

NOTES: ● Parts marked by "NSP" are generally unavailable because they are not in our Master Spare Parts List.

● The  $\Delta$  mark found on some component parts indicates the importance of the safety factor of the part. Therefore, when replacing, be sure to use parts of identical designation.

**Mark No. Description Part No.**

## LIST OF ASSEMBLIES

1..MIXER PCB ASSY	704-DJM250-A026-HA
1..CH FADER PCB ASSY	704-DJM250-A032-HA
1..I/O PCB ASSY	704-DJM250-A028-HA
1..MASTER OUTPUT PCB ASSY	704-DJM250-A031-HA
1..BALANCE OUTPUT PCB ASSY	704-DJM250-A029-HA
1..PHONE PCB ASSY	704-DJM250-A030-HA

**Mark No. Description Part No.**

## I/O PCB ASSY SEMICONDUCTORS

Q 1	TRANSISTOR	416-CDN88-045-HA
Q 3,4	TRANSISTOR	416-CDN88-044-HA
Q 5,28	TRANSISTOR	416-UDJ200-347-HA
Q 6-9,12-19	TRANSISTOR	416-3000-378-HA
Q 10,11,29	TRANSISTOR	416-CTB200-166-HA
Q 20,21,30,31	TRANSISTOR	416-AMC110A-5017-HA
D 2,3,6,9,10,14	DIODE	414-DFX1-144-HA
D 5,7,13	SWITCHING DIODE	414-CD1000-075-HA

**Mark No. Description Part No.**

## MIXER PCB ASSY SEMICONDUCTORS

Q 1-4	TRANSISTOR	416-CDN88-044-HA
D 1-4, 8-11,15-18	LED(YELLOW GREEN)	410-DJ5000-252-HA
D 5,6,12,13,19,20	LED (LTL1CHJSDNN,YEL)	410-HDJ2000-162-HA
D 7,14,21	LED(LTL1CHJEDNN,RED)	410-DJ5000-253-HA
D 22,23	LED(RED/YELLOW GREEN)	410-PS2-185-HA
D 24-27	LED	410-DJM250-409-HA
D 28-33	SWITCHING DIODE	414-CD1000-075-HA

## MISCELLANEOUS

CN 200	2P SOCKET	404-KMD1500-608A-HA
CN 201	2P SOCKET	404-Q2422-1154-HA
CN 202	3P SOCKET	404-HP1010K-259A-HA
CN 203	6P SOCKET	404-3113-052A-HA
JK 200,201,203	4P RCA JACK(RCA-413)	420-QMX1-094-HA
JK 202,209,210	HEADPHONE JACK	420-HDJ7100-063-HA
JK 201-203	GROUND PLATE	300-QFX19-811-HA
JK 211	MIC JACK	420-Q3433-107-HA
JK 211	JACK GROUND PLATE	300-300-1171-HA
L 1-8	BEAD CORE	415-HV3500K-090-HA
L 9	CORE	415-PDJ33-381-HA
L 10	INDUCTOR	415-UDJ1-314-HA
L 12	INDUCTANCE	415-HT8015-040-HA
SW 200,201	SLIDE SW	403-QMX1-060-HA
W 204	4P 2.5 CONNECTOR WIRE	404-AMW4-2730-HA
X 1	CRYSTAL(CSA-309,24.576MHz,3*9) PIN	427-IQ2UM-133-HA 300-K1000-1521-HA

## MISCELLANEOUS

L 2	INDUCTOR(10UH T-26MM)	415-MPG100-047-HA
SW 1,2	SLIDE SW	403-X10-388-HA
SW 3-6	TACT SW	403-900-242A-HA
SW 7	SW	403-MC6000-386-HA
SW 8	SLIDE SW	403-DJM303-368-HA
W 3-5	3P 2.0 CONNECTOR WIRE	404-DJM250-3624-HA
	20P 1.0 FFC CABLE	406-DJM250-1190-HA
	NUT(M3*P0.5,CD,PB,HG)	601-A100-004-HA
	SCREW(M3*P0.5*L8)	602-HP1010K-178-HA

## RESISTORS

R 13	CARBON FILM RESISTOR	412-HMA2200-5019-HA
R 192,197	CARBON FILM RESISTOR	412-M5-666-HA
R 198,199	CARBON FILM RESISTOR	412-DV300-5118-HA

## RESISTORS

R 6	CARBON FILM RESISTOR	412-3113-068-HA
R 11-14	CARBON FILM RESISTOR	412-3113-065-HA
R 16	CARBON FILM RESISTOR	412-KM300-116-HA
R 19-21,24-27	CARBON FILM RESISTOR	412-3113-078-HA
R 30,31,33-37	CARBON FILM RESISTOR	412-3113-078-HA

## CAPACITORS

C 3	ELEC.CAPACITOR	413-HT8015-164-HA
C 10,213	ELEC.CAPACITOR	413-HP1010K-200-HA
C 11-13,188-191,224	ELEC.CAPACITOR	413-HT801K-193-HA
C 25	ELEC. CAPACITOR	413-DV300-292-HA
C 27,35,36,54,74,75,87,88	E/C	413-CDVD2001-265-HA
C 37,38,89,90	POLYESTER CAPACITOR	413-3113-060-HA
C 39,40,91,92	POLYESTER CAPACITOR	413-KT300-103-HA
C 41,42,46,47,52,62,63	ELEC. CAPACITOR	413-SPPW3-235-HA
C 67,68,72,73,85,86,96	ELEC. CAPACITOR	413-SPPW3-235-HA
C 97,100,101,109,110	ELEC. CAPACITOR	413-SPPW3-235-HA
C 124,125,139,140,171	ELEC. CAPACITOR	413-SPPW3-235-HA
C 173,174,199,242	ELEC. CAPACITOR	413-SPPW3-235-HA
C 182,183,205,206	ELEC. CAPACITOR	413-SPPW3-237-HA
C 53,212,221	ELEC. CAPACITOR	413-SPPW3-236-HA
C 102	ELEC.CAPACITOR	413-HT801K-191-HA

## CAPACITORS

C 35	ELEC.CAPACITOR	413-HT801K-192-HA
C 36,38	ELEC.CAPACITOR	413-HMA2200-5017-HA
C 44	TANTALUM CAPACITOR	413-MAIE-1211-HA

## CH FADER PCB ASSY

There is no service parts.

C 115,128,143,164,165	ELEC.CAPACITOR	413-HMA2200-5017-HA
C 116,117,131,132	ELEC. CAPACITOR	413-SPPW3-234-HA
C 146,147	ELEC. CAPACITOR	413-SPPW3-234-HA
C 172,200	ELEC. CAPACITOR	413-007USB-828-HA

Mark	No.	Description	Part No.
C	201,202	ELEC. CAPACITOR	413-DV300-5156-HA
C	222,223	ELEC. CAPACITOR	413-SPPW3-238-HA

**D MASTER OUTPUT PCB ASSY**  
**MISCELLANEOUS**

W	201	2P 2.0/2.5 CONNECTOR WIRE	404-DJM250-3623-HA
W	202	3P 2.0 CONNECTOR WIRE	404-DJM250-3622-HA

**E BALANCE OUTPUT PCB ASSY**  
**MISCELLANEOUS**

W	203	6P 2.0 CONNECTOR WIRE	404-ID-3048-HA
---	-----	-----------------------	----------------

**F PHONE PCB ASSY**

There is no service parts.