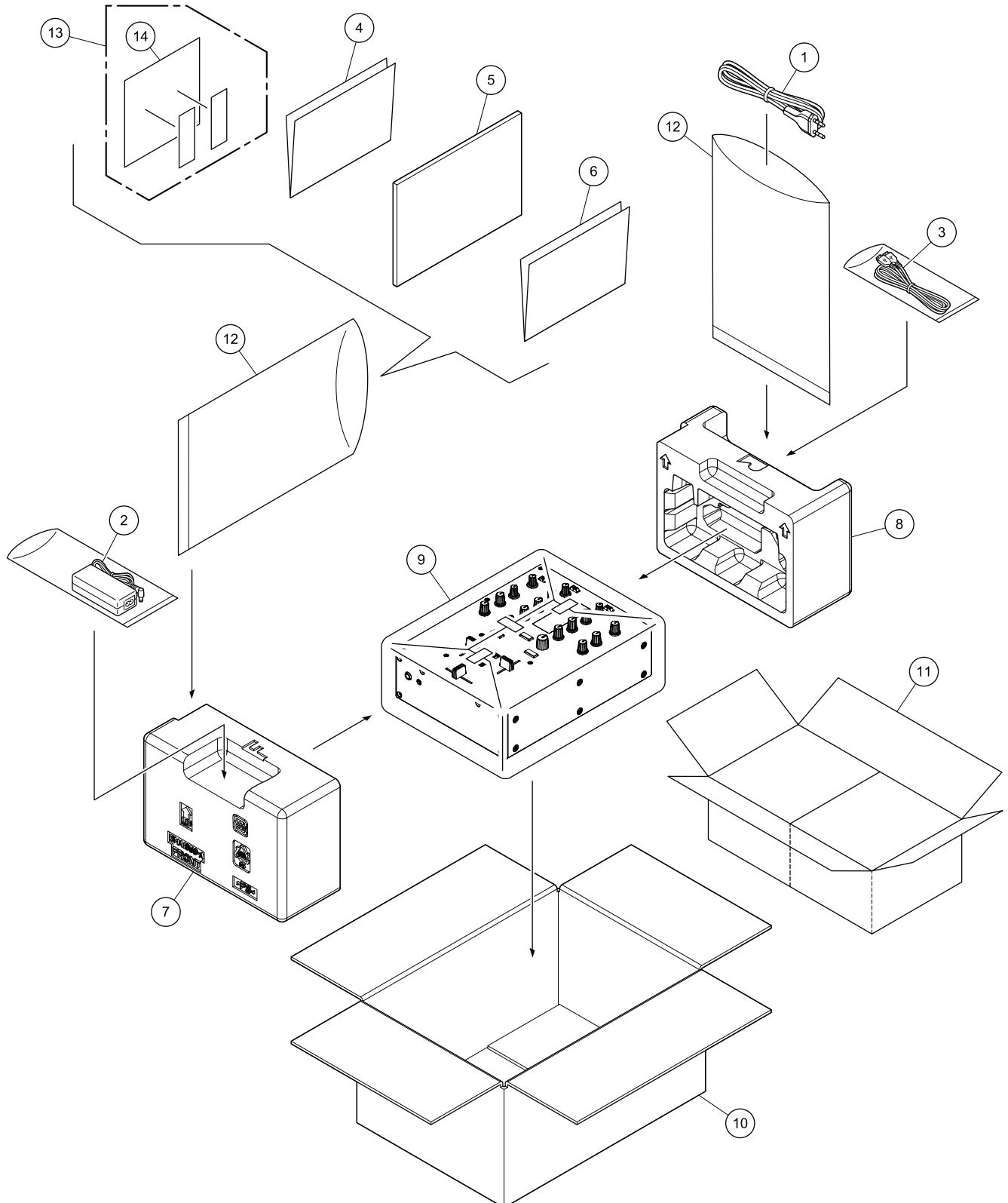


# 9. EXPLODED VIEWS AND PARTS LIST

- NOTES:
- Parts marked by "NSP" are generally unavailable because they are not in our Master Spare Parts List.
  - The  $\triangle$  mark found on some component parts indicates the importance of the safety factor of the part. Therefore, when replacing, be sure to use parts of identical designation.
  - Screws adjacent to  $\nabla$  mark on product are used for disassembly.
  - For the applying amount of lubricants or glue, follow the instructions in this manual. (In the case of no amount instructions, apply as you think it appropriate.)

## 9.1 PACKING SECTION



**(1) PACKING SECTION PARTS LIST**

<u>Mark No.</u>	<u>Description</u>	<u>Part No.</u>
A	⚠ 1 Power Cord	See Contrast table (2)
	⚠ 2 AC Adapter	See Contrast table (2)
	3 USB Cable	DDE1128
NSP	4 Leaflet	See Contrast table (2)
	5 Operating Instructions (Quick Start Guide)	See Contrast table (2)
NSP	6 Warranty	See Contrast table (2)
	7 Packing Pad	DHA1959
	8 Packing Pad	DHA1960
	9 Sheet	RHX1006
B	10 Packing Case	See Contrast table (2)
	11 Master Carton	See Contrast table (2)
NSP	12 Polyethylene Bag	See Contrast table (2)
NSP	13 License Key Card ASSY (rekordbox dj, rekordbox dvs)	DEA1064
NSP	14 Leaflet	DRM1419

**(2) CONTRAST TABLE**

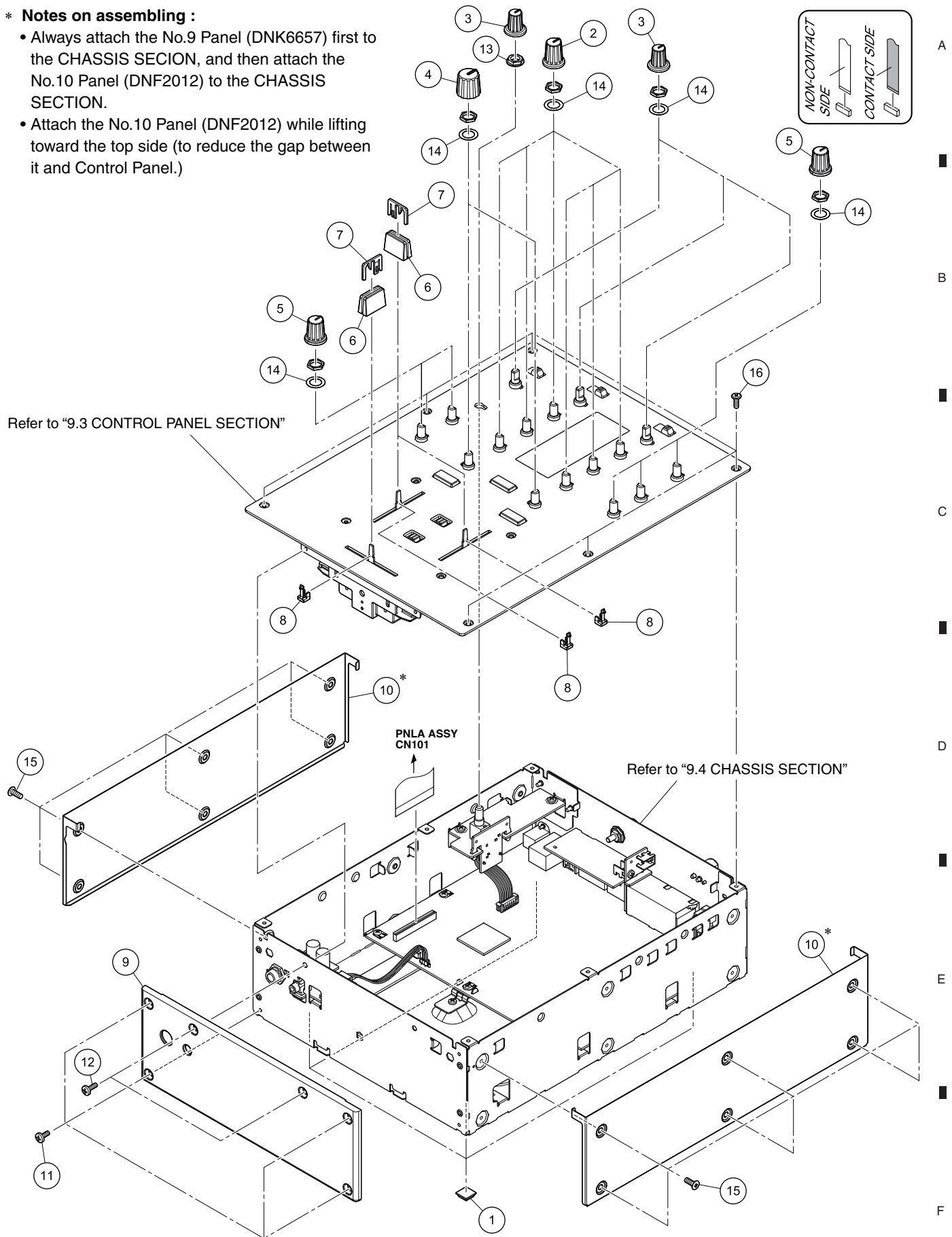
SYXJ, UXJCB, FWLPWXJ and XJCN are constructed the same except for the following:

<u>Mark</u>	<u>No.</u>	<u>Symbol and Description</u>	<u>SYXJ</u>	<u>UXJCB</u>	<u>FWLPWXJ</u>	<u>XJCN</u>
	1	Power Cord	ADG1154	XDG3052	ADG1154	ADG7079
	2	AC Adapter	DWR1567	DWR1567	DWR1551	DWR1551
NSP	4	Leaflet	DRH1431	DRH1431	DRH1431	DRH1432
	5	Operating Instructions (Quick Start Guide)	DRH1424	DRH1425	DRH1426	DRH1428
NSP	6	Warranty	DRY1270	No used	No used	No used
	10	Packing Case	DHG3538	DHG3540	DHG3542	DHG3546
	11	Master Carton	DHG3539	DHG3541	DHG3543	DHG3547
NSP	12	Polyethylene Bag	AHG7117	AHG7117	AHG7117	AHG7117

## 9.2 EXTERIOR SECTION

### \* Notes on assembling :

- Always attach the No.9 Panel (DNK6657) first to the CHASSIS SECTION, and then attach the No.10 Panel (DNF2012) to the CHASSIS SECTION.
- Attach the No.10 Panel (DNF2012) while lifting toward the top side (to reduce the gap between it and Control Panel.)



### EXTERIOR SECTION PARTS LIST

<u>Mark No.</u>	<u>Description</u>	<u>Part No.</u>
A	1 Rubber Foot	VEB1325
	2 Rotary VR Knob (B)	DAA1279
	3 Knob	DAA1372
	4 Knob	DAA1373
	5 Rotary VR Knob (B)	DAA1183
B	6 Slider Knob 1	DAC2684
	7 Slider Knob 2	DAC2685
	8 Slider Knob Stopper	DNK5888
	9 Panel	DNK6657
	10 Panel	DNF2012
B	11 Screw	BBZ30P060FTB
	12 Screw	BBZ30P080FTB
	13 Flange Nut M7	DBN1011
	14 Washer	DEC3731
	15 Screw (Fe)	DBA1290
B	16 Screw	DBA1451

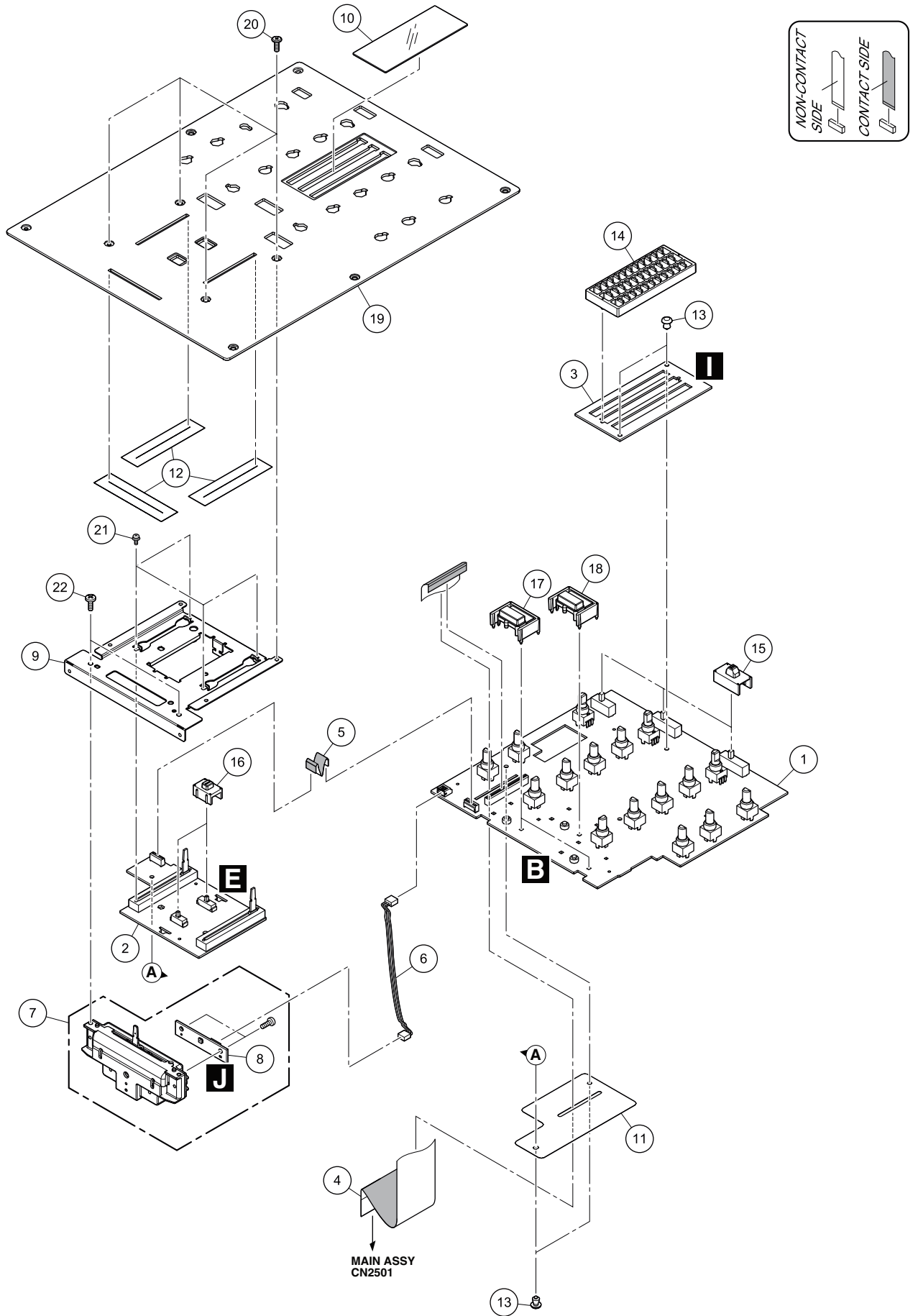
C

D

E

F

# 9.3 CONTROL PANEL SECTION

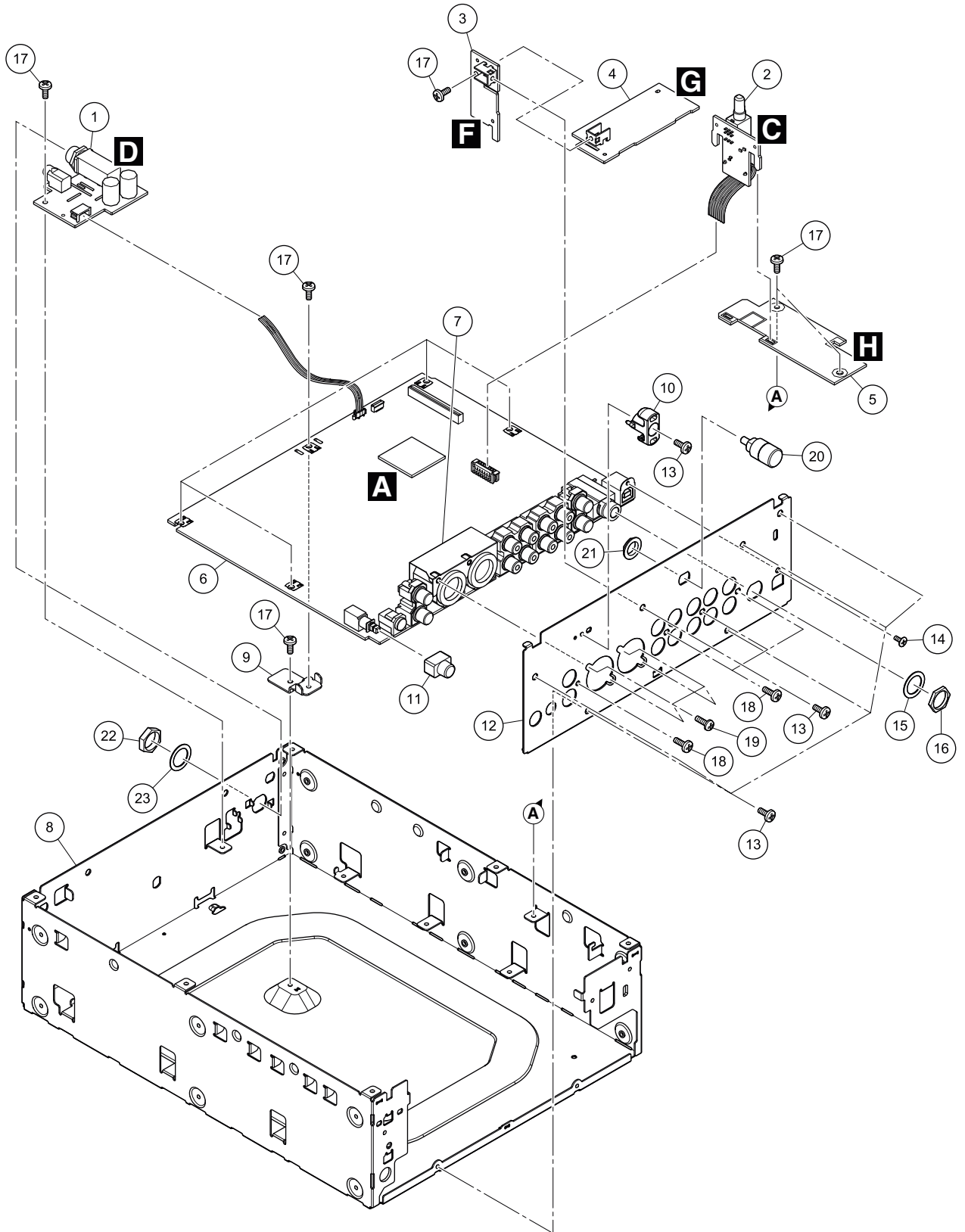


**CONTROL PANEL SECTION PARTS LIST**

<u>Mark No.</u>	<u>Description</u>	<u>Part No.</u>
A	1 PNLA ASSY	DWX3980
	2 FADB ASSY	DWX3982
	3 HOLD ASSY	DWX3986
	4 FFC	DDD1803
	5 FFC	DDD1804
NSP	6 Connector ASSY	PF03PP2B15
	7 Cross Fader ASSY	DXA2257
	8 CRFD ASSY	DWX3258
	9 Stay	DNF2011
	10 Plate	DAK1011
B	11 Sheet	DEC3732
	12 Fader Packing	DEC2903
	13 Rivet (Plastic)	RBM-003
	14 Holder	DNK6660
	15 Cap/MIC	DAC2773
C	16 Cap	DAC3284
	17 Button	DAC3250
	18 Button	DAC3273
	19 Control Panel	DNB1253
	20 Screw	DBA1451
	21 Screw	PMH20P040FTC
	22 Screw	BPZ30P080FTC

5 6 7 8

# 9.4 CHASSIS SECTION



### CHASSIS SECTION PARTS LIST

<u>Mark No.</u>	<u>Description</u>	<u>Part No.</u>
A	1 HPJK ASSY	DWX3981
	2 TRIM ASSY	DWX3983
	3 MP SH ASSY	DWX3988
	4 PPSH ASSY	DWX3989
	5 STAY ASSY	DWX3984
NSP	6 MAIN ASSY	DWX3974
	7 Canon Shield	DNF1789
	8 Chassis	DNA1462
	9 Stay	DNF2017
	10 Hook	DNK6067
B	11 Knob	DNK6607
	12 Rear Panel	DNC2128
	13 Screw	BBZ30P060FTB
	14 Screw (M3x5)	DBA1340
	15 Washer	DEC2920
C	16 Nut	NKX2FTC
	17 Screw	BBZ30P060FTC
	18 Screw	BPZ30P080FTB
	19 Screw	PPZ30P080FTB
	20 Earth Terminal	DKE1019
D	21 Flange Nut M9	DBN1008
	22 Nut	NKX2FTC
	23 Washer	DBE1017
E		
F		



# 12. PCB PARTS LIST

NOTES: ● Parts marked by "NSP" are generally unavailable because they are not in our Master Spare Parts List.

● The  $\Delta$  mark found on some component parts indicates the importance of the safety factor of the part. Therefore, when replacing, be sure to use parts of identical designation.

● When ordering resistors, first convert resistance values into code form as shown in the following examples.

Ex.1 When there are 2 effective digits (any digit apart from 0), such as 560 ohm and 47 k ohm (tolerance is shown by J = 5%, and K = 10%).

560  $\Omega$   $\rightarrow$  56  $\times 10^1$   $\rightarrow$  561 ..... RD1/APU  $\boxed{5}$   $\boxed{6}$   $\boxed{7}$  J

47 k $\Omega$   $\rightarrow$  47  $\times 10^3$   $\rightarrow$  473 ..... RD1/APU  $\boxed{4}$   $\boxed{7}$   $\boxed{3}$  J

0.5  $\Omega$   $\rightarrow$  R50 ..... RN2H  $\boxed{R}$   $\boxed{5}$   $\boxed{0}$  K

1  $\Omega$   $\rightarrow$  1R0 ..... RSIP  $\boxed{7}$   $\boxed{R}$   $\boxed{0}$  K

Ex.2 When there are 3 effective digits (such as in high precision metal film resistors).

5.62 k $\Omega$   $\rightarrow$  562  $\times 10^1$   $\rightarrow$  5621 ..... RN1/4PC  $\boxed{5}$   $\boxed{6}$   $\boxed{2}$   $\boxed{1}$  F

Mark No.	Description	Part No.	Mark No.	Description	Part No.
----------	-------------	----------	----------	-------------	----------

## LIST OF ASSEMBLIES

	1..MAIN ASSY	DWX3974	Q	1007 Resistor Built-IN TR	LTC024EEB
			Q	1008 Resistor Built-IN TR	LTC024EEB
NSP	1..PNL ASSY	DWM2649	$\Delta$ Q	1501 Power MOS FET	RSR020P05
	2..PNLA ASSY	DWX3980	$\Delta$ Q	1502,2001 FET	RTQ045N03
	2..HPJK ASSY	DWX3981	$\Delta$ Q	1601,1602 FET	RSQ030P03
	2..FADB ASSY	DWX3982	Q	1905 Resistor Built-IN TR	LTC024EEB
	2..TRIM ASSY	DWX3983	Q	1906,2505,2506 Bipolar TR	LSAR523UB
	2..MPSH ASSY	DWX3988	Q	2002 Resistor Built-IN TR	LTA024EEB
	2..PPSH ASSY	DWX3989	Q	2003 Resistor Built-IN TR	LTC024EEB
	2..STAY ASSY	DWX3984	Q	2501 Resistor Built-IN TR	LTC024EEB
C	2..HOLD ASSY	DWX3986	Q	2502 Resistor Built-IN TR	LTC024EEB
			Q	2503 Resistor Built-IN TR	LTC024EEB
NSP	1..CRFD ASSY	DWX3258	Q	2507,2603 Bipolar TR	LSCR523UB
			Q	2601 Resistor Built-IN TR	LTC024EEB
			Q	2602 Resistor Built-IN TR	LTC024EEB
			Q	2604,2605 Bipolar TR	LSAR523UB
			Q	3601 Resistor Built-IN TR	LTA024EEB
			Q	3602 Resistor Built-IN TR	LTA024EEB
			Q	3603-3622 Chip Transistor	INC2002AC1
			Q	3623 Resistor Built-IN TR	LTC024EEB
			Q	3624 Resistor Built-IN TR	LTC024EEB
			Q	3801,3802 Chip FET	2SK209
			Q	3803,3804 Chip Transistor	INC2002AC1
			Q	3805,3807 Bipolar TR	LSCR523UB
			Q	3806,3808 Bipolar TR	LSAR523UB
			Q	3809,3811 Transistor	2SD1766
			Q	3810,3812 Transistor	2SB1188
			Q	3813,3814 Chip Transistor	INC2002AC1
			$\Delta$ D	1001 Diode	RB060M-30
			D	1002 Zener Diode	DZJ150M0
			D	1003,1005 Rectifier Diode	DA2J101
			D	1006,1901 Rectifier Diode	DA2J101
			D	1201,1701 Schottky Diode	RB551VM-30
			D	1501,1502 Schottky Diode	DB2J41100
			D	1601-1603 Schottky Diode	DB2J41100
			D	1702 Schottky Diode	RB551VM-30
			D	1902,1904 Rectifier Diode	DA2J101
			D	1905,2601 Rectifier Diode	DA2J101
			D	3001-3004 Switching Diode	DAN217UM
			D	3201-3204 Switching Diode	DAN217UM
			D	3401-3403 Switching Diode	DAN217UM
			D	3404 Zener Diode	DZ2S180C
			D	3602,3801 Rectifier Diode	DA2J101
			D	3802-3804 Rectifier Diode	DA2J101
E	IC 2004 IC	S-80927CNMC-G8X			
	IC 2006 Logic IC	74LCX08FT			
	IC 3001,3201 OP AMP IC	NJM4585M			
	IC 3002,3202,3401,3402,3606 IC	NJM4580MD			
	IC 3003,3203 Analog SW IC	NJM2752RB2			
	IC 3004,3204 AD Converter IC	AK5358AET			
	IC 3403,3404 AD Converter IC	AK5358AET			
	IC 3601 IC	AK4382AVT			
	IC 3602,3603 OP-AMP IC	NJM4580D			
	IC 3801,3802 IC	NJM4580MD			
	IC 3803 Audio DAC	AK4387ET			
F	$\Delta$ Q 1001,1004,1005 FET	RSQ035P03			
	Q 1002 Resistor Built-IN TR	LTC024EEB			
	Q 1003,1907-1909 Bipolar TR	LSCR523UB			
	Q 1006,1901-1904 Bipolar TR	LSAR523UB			

## A MAIN ASSY

### SEMICONDUCTORS

$\Delta$	IC 1101 DC-DC Converter	BD9328EFJ			
$\Delta$	IC 1202 Regulator IC	MM3479A13P			
	IC 1301 IC	S-80930CNMC-G80			
$\Delta$	IC 1501,1601 IC	BD9851EFV			
$\Delta$	IC 1651 LDC Regulator(5V)	NJM2831F07			
$\Delta$	IC 1701 Regulator IC	NJM78M05DL1A			
$\Delta$	IC 1702 Regulator IC	MM3571A33P			
NSP	IC 2001 Flash Blank UC IC	R5S72690RW266FP			
	IC 2002 Flash ROM	DYW2006*			
	*Part number of the initial firmware equipped		$\Delta$	D 1001 Diode	RB060M-30
	IC 2003 Logic IC	TC7SH08FUS2	D	1002 Zener Diode	DZJ150M0
			D	1003,1005 Rectifier Diode	DA2J101
			D	1006,1901 Rectifier Diode	DA2J101
			D	1201,1701 Schottky Diode	RB551VM-30
			D	1501,1502 Schottky Diode	DB2J41100
			D	1601-1603 Schottky Diode	DB2J41100
			D	1702 Schottky Diode	RB551VM-30
			D	1902,1904 Rectifier Diode	DA2J101
			D	1905,2601 Rectifier Diode	DA2J101
			D	3001-3004 Switching Diode	DAN217UM
			D	3201-3204 Switching Diode	DAN217UM
			D	3401-3403 Switching Diode	DAN217UM
			D	3404 Zener Diode	DZ2S180C
			D	3602,3801 Rectifier Diode	DA2J101
			D	3802-3804 Rectifier Diode	DA2J101

Mark	No.	Description	Part No.
------	-----	-------------	----------

**MISCELLANEOUS**

L	1001,2004	Chip Beeds Filter	BTX1047
L	1101	SMD SPL Inductor	DTH1213
L	1502,1503,1601	Inductor	CTH1262
L	1602	Power Inductor	ATH7011
L	2003	Coil	ATH7015
L	2005-2008	Chip Beeds Filter	BTX1047
L	2010	Chip Beeds Filter	BTX1047
X	2001	Crystal Resonator	CSS1840
X	2002	Resonator	CSS1760
X	2003	Crystal(24.576MHz)	DSS1204
JH	3801	3P Cable Holder	51048-0300
JP	3801	3P Jumper Wire	D20PDY0310E
KN	1001-1005	Wrapping Terminal	CKF1089
⚠	P	1001 Protector(4.000A)	DEK1104
S	1001	Push SW	ASG1102
VA	1001,2003,3001	Varistors	EZJZ1V270RM
VA	2001,2002	SMD Varistor	EZJZ1V80010
VA	3002,3201,3202	Varistors	EZJZ1V270RM
VA	3401,3601-3607	Varistors	EZJZ1V270RM
CN	2501	39P Connector	VKN2097
CN	3401	7P Jumper Connector	52147-0710
JA	1001	DC Power Jack	DKN1649
JA	2001	USB Connector	DKN1237
JA	3001,3201	Pin Jack(4P)	AKB7172
JA	3401,3603	Jack	XKB3062
JA	3402	6.5 DIA Jack	DKN1654
JA	3601,3602	Canon Connector	DKB1093

**RESISTORS**

R	1001	RS1/10SR101J
R	1015-1018	RS1/4SA2R7J
R	1102,1513,1515	RS1/10SR220J
R	1106	RS1/16SS2202D
R	1108	RS1/16SS2702D
R	1109,1303	RS1/16SS1002D
R	1115	RS1/10SR0R0J
R	1301	RS1/16SS2002D
R	1501,1511,1601	RS1/10SR1502D
R	1502,1508,1521,1602,1609	RS1/10SR1002D
R	1504,1516,1603,1614	RS1/10SR3002D
R	1505,1520,1604,1618	RS1/10SR6802D
R	1506	RS1/10SR1503D
R	1509,1524,1617	RS1/10SR5101D
R	1514,1611	RS1/10SR472J
R	1517,1616	RS1/10SR105J
R	1518	RS1/10SR3301D
R	1523	RS1/10SR1203D
R	1525	RS1/10SR2002D
R	1605	RS1/10SR5102D
R	1606	RS1/10SR5601D
R	1607,1621	RS1/10SR1001D
R	1608	RS1/10SR2202D
R	1610,1615	RS1/10SR100J
R	1619	RS1/10SR1002D
R	1620	RS1/10SR6202D
R	1622	RS1/10SR3001D
R	1920,2027,2140,2525,2527	RS1/10SR0R0J

Mark	No.	Description	Part No.
------	-----	-------------	----------

R	1923	RS1/10SR822J
R	1925	RS1/10SR333J
R	1926	RS1/10SR473J
R	2048	RS1/16SS5601F
R	2060,2061	RAB4C101J
R	2064	RAB4CQ472J
R	3001,3024	RS1/10SR3300D
R	3002,3025	RS1/10SR3900D
R	3008,3009	RS1/10SR1000D
R	3010,3011	RN1/16SE1000D
R	3016-3019	RS1/10SR4702D
R	3020,3022	RN1/16SE3301D
R	3021,3023,3028,3029	RS1/10SR0R0J
R	3026,3027	RS1/10SR3301D
R	3032,3035	RS1/10SR3903D
R	3034,3037	RS1/10SR2702D
R	3045,3054	RS1/10SR1801D
R	3046	RS1/10SR101J
R	3047,3055	RS1/10SR1101D
R	3201,3225	RS1/10SR3300D
R	3202,3226	RS1/10SR3900D
R	3208,3209	RS1/10SR1000D
R	3210,3211	RN1/16SE1000D
R	3216-3219	RS1/10SR4702D
R	3220,3222,3402	RN1/16SE3301D
R	3221,3223,3228,3229,3411	RS1/10SR0R0J
R	3224,3227	RS1/10SR3301D
R	3232,3235	RS1/10SR3903D
R	3234,3237	RS1/10SR2702D
R	3245,3254	RS1/10SR1801D
R	3246	RS1/10SR101J
R	3247,3255,3415,3417	RS1/10SR1101D
R	3401,3441	RN1/16SE3900D
R	3403	RN1/16SE2700D
R	3407,3408	RS1/10SR1000D
R	3409,3410	RS1/10SR4702D
R	3412,3416,3418,3437	RS1/10SR0R0J
R	3413,3414	RS1/10SR4701D
R	3438	RN1/16SE2200D
R	3439	RS1/10SR5602D
R	3440	RS1/10SR1002D
R	3442	RN1/16SE2701D
R	3444	RN1/16SE1200D
R	3609-3612	RS1/10SR513J
R	3613-3620	RS1/10SR1801D
R	3621-3636	RS1/10SR3901D
R	3637-3644	RS1/10SR5600D
R	3645-3652	RS1/8SQ821J
R	3653-3656,3666-3669	RS1/10SR223J
R	3657-3660	RS1/8SQ751J
R	3661-3664	RS1/8SQ681J
R	3665,3670-3672	RS1/8SQ241J
R	3673-3676	RS1/8SQ221J
R	3681-3684	RS1/10SR4701D
R	3685,3686	RS1/10SR0R0J
R	3701,3702,3711,3712	RS1/10SR4700D
R	3713,3716-3718,3731-3734	DCN1199
R	3714,3715,3727,3728	RS1/10SR3301D
R	3719-3722,3739,3740,3746	RS1/10SR103J

Mark	No.	Description	Part No.	Mark	No.	Description	Part No.	
A	R	3723-3726,3735-3738	RS1/10SR183J	C	1603		CCSSCH101J50	
	R	3729,3730,3748,3749	RS1/4SA330J	C	1611		CKSSYB104K10	
	R	3745	RS1/10SR0R0J	C	1614,1626,1627		CKSRYB105K10	
	R	3747,3760,3761	RS1/10SR103J	C	1617,1618		CCG1218	
	R	3809	RS1/10SR100J	C	1619,1620		CKSSYB104K16	
	R	3811,3812	RS1/10SR3001D	C	1621,1622,1628,1629		DCH1201	
	R	3815,3816	RS1/10SR1202D	C	1651,1704		ACE7100	
	R	3817,3818	RS1/10SR2201D	C	1652,1701,1706,1709		CKSYB105K25	
	R	3819-3822	RS1/10SR1002D	C	1702,1703,1707,1708		CCSRCH102J50	
	R	3823,3824	RS1/10SR105J	C	1705		CCG1192	
	R	3825,3826	RS1/10SR153J	C	1901		CKSSYB103K16	
	R	3828,3830	RS1/8SQ680J	C	2001,2005		CCH1961	
	R	3831-3834	RS1/10SR332J	C	2003,2007,2009-2031		CKSSYB104K10	
	B	R	3835-3838	RS1/10SR1001D	C	2032-2045,2048,2049,2053		CKSSYB104K10
		R	3839-3842	RS1/10SR1801D	C	2046		DCH1266
		R	3843-3850	RS1/4SA220J	C	2047,2052,2056,2058,2063		CCSSCH102J50
R		3851,3852	RS1/10SR0R0J	C	2050,2059		CCSSCH120J50	
R		3853,3854	RS1/10SR153J	C	2051,2055,2062,2068,2072		DCH1256	
R		3855,3856	RS1/10SR473J	C	2054,2065-2067,2071,2075		CKSSYB103K16	
		Other Resistors	RS1/16SS###J	C	2057,2061,2064,2070,2074		CKSSYB104K10	
				C	2060		CKSSYB222K50	
				C	2069,2073,2078,2084,2085		CCSSCH102J50	
				C	2076		CEVW221M4	
				C	2077		DCH1256	
C	C	1001	DCE1029	C	2079,2103,2107		CKSSYB104K10	
	C	1002,1016	CKSSYB103K16	C	2080,2088,2111,2115,2116		CKSSYB103K16	
	C	1003	ACE7129	C	2081		CEVW220M6R3	
	C	1004	ACE7100	C	2082,2086,2108		CCSSCH100D50	
	C	1005	ACE7120	C	2083		CCSSCH8R0D50	
	C	1006,1019,1025,1026,1030	CCSSCH102J50	C	2094-2102		CCSSCH102J50	
	C	1007,1012,1017	CKSRYB104K25	C	2104		CEVW101M4	
	C	1008	CCH1680	C	2105		DCH1246	
	C	1010,1011	CKSRYB103K50	C	2109		CCSSCH120J50	
	C	1013	CCSRCH222J50	C	2501,2502		CCSSCH471J50	
	C	1014	CFHXSP104J16	C	2503,2508		DCH1263	
	C	1015,1022	CEVW101M16	C	2601		CEVW101M16	
	C	1018	CCSSCH101J50	C	2604,2605		CKSSYB103K25	
	C	1020,1023,1024,1029,1102	CKSSYB104K16	C	3001		CKSRYB102K50	
	C	1021,1031	DCH1263	C	3002		CKSRYB104K16	
	D	C	1027	CKSRYB104K16	C	3005-3008		CCSRCH102J50
C		1028	CCSRCH102J50	C	3009,3010		CCSRCH101J50	
C		1101,1506	CCG1236	C	3011,3012		CCSRCH471J50	
C		1103,1111,1503	CCSSCH102J50	C	3013,3014		CCH2090	
C		1104,1106,1112,1215	CKSSYB104K16	C	3015,3016,3039,3045,3047		ACE7100	
C		1108	CKSSYB333K16	C	3019,3023		ACE7113	
C		1113,1114	CCG1192	C	3026,3030		CCH1998	
C		1216,1217,1514	CKSRYB105K10	C	3027,3028,3042,3043		CCG1393	
C		1302,1604	CKSSYB103K16	C	3031		CEVW470M6R3	
C		1501,1530	CEVW221M25	C	3032,3051		CKSSYB104K10	
C		1502,1504,1517,1519,1520	CCG1393	C	3034,3037,3048		CEVW100M16	
C		1507,1526	CKSRYB104K25	C	3035,3040,3050		CKSSYB102K50	
C		1508,1525,1616	CKSSYB222K50	C	3038		CEVW101M16	
C		1510	CKSSYB332K50	C	3041,3055		CEVW330M10	
C		1513,1518,1606,1612	DCH1263	C	3044,3046		CEVW221M25	
E		C	1515,1608	CCSSCH561J50	C	3049,3215,3216		ACE7100
	C	1523,1623	CCSSCH681J50	C	3052,3205-3208		CCSRCH102J50	
	C	1527	CCG1236	C	3053		CEVW220M6R3	
	C	1528,1624,1625	CCSSCH102J50	C	3054		CKSRYB105K10	
	C	1529,1610,1613	CCG1393	C	3056,3201		CKSRYB102K50	
	C	1601	CKSRYB474K10					
	C	1602	CKSRYB334K10					
	F							

Mark	No.	Description	Part No.
C	3057,3202		CKSRYP104K16
C	3209,3210		CCSRCH101J50
C	3211,3212		CCSRCH471J50
C	3213,3214		CCH2090
C	3219,3223		ACE7113
C	3226,3230		CCH1998
C	3227,3228,3242,3243		CCG1393
C	3231,3407		CEVW470M6R3
C	3232,3251,3408		CKSSYP104K10
C	3234,3237,3248,3413		CEVW100M16
C	3235,3240,3250,3409,3412		CKSSYP102K50
C	3238,3404,3410		CEVW101M16
C	3239,3249,3411,3414		ACE7100
C	3241,3255		CEVW330M10
C	3252,3403,3405,3424		CCSRCH102J50
C	3253		CEVW220M6R3
C	3254		CKSRYP105K10
C	3256		CKSRYP102K50
C	3257,3423		CKSRYP104K16
C	3406,3427,3428		CEVW330M25
C	3415,3431,3434,3437		CKSSYP102K50
C	3417,3430,3438		CKSSYP104K10
C	3419		CCSRCH222J50
C	3420		CCSRCH471J50
C	3421,3422,3441		CCSRCH101J50
C	3429		CEVW470M6R3
C	3432,3439,3606		CEVW101M16
C	3433,3436,3605		ACE7100
C	3435		CEVW100M16
C	3442,3446		CEVW101M25
C	3443,3604,3621		CCSRCH102J50
C	3444,3624		CKSRYP104K16
C	3445,3447		CKSQYP104K25
C	3601		CKSSYP103K16
C	3609-3612		ACE7099
C	3613-3620		ACE7117
C	3622,3623,3625,3626		CCG1393
C	3627,3639		ACE7100
C	3633,3638,3651-3656		CEVW221M25
C	3645,3671		CCSRCH102J50
C	3646,3672,3805,3806		CKSRYP104K16
C	3659-3662		ACE7119
C	3682,3683		ACE7115
C	3803		CKSSYP103K16
C	3804		CEVW220M6R3
C	3807,3827,3834		CEVW101M16
C	3808,3809		CEVW220M16
C	3810,3811		DCG1049
C	3812,3813		CCSRCH271J50
C	3821,3822		CKSRYP104K25
C	3830,3831		CCSRCH330J50
C	3832,3833		CKSRYP104K16

Mark	No.	Description	Part No.
------	-----	-------------	----------

## **B** PNLA ASSY

### SEMICONDUCTORS

IC	201,202 Logic IC	TC74HC4052AF
IC	203 IC	NJM12903V
Q	201 Transistor	LTA143EUB
Q	301,303,305 Transistor	LTC114EUB
Q	302,304,306 Transistor	ISA1602AM1
Q	307 Transistor	LTC143EUB
Q	308 Chip Transistor	2SB1689
Q	310,318-339 Bipolar TR	LSCR523UB
Q	312,313,317 Transistor	2SC4154-11
Q	340-344 Bipolar TR	LSCR523UB
D	201 Rectifier Diode	DA2J101
D	202-204 Rectifier Diode	DAN202UM
D	301,310,319 LED	LTL17KRH5D
D	302-305,311-314,320-323 LED	LTL17KSL5D
D	306-309,315-318,324-327 LED	LTL17KGH5D
D	328,329,334,335 LED	LTL17KSL5D
D	330,336 LED(White)	SLR343WBC7T(MN)
D	332,337 LED	LTL17KRH5D

### MISCELLANEOUS

J	101-104,106 Jmper 10mm	JMPR10R0
J	105 Jmper 12.5mm	JMPR12R5
J	107 Jmper 15mm	JMPR15R0
J	108-111,114,115 Jmper 7.5mm	JMPR7R5
J	112 Jmper 22.5mm	JMPR22R5
J	113,116,117,119 Jmper 5mm	JMPR5R0
J	118,120,122,124 Jmper 7.5mm	JMPR7R5
J	121,123,128,131 Jmper 5mm	JMPR5R0
J	125-127,129,130 Jmper 7.5mm	JMPR7R5
J	132,135,139,142 Jmper 5mm	JMPR5R0
J	133,134,140,141 Jmper 10mm	JMPR10R0
J	136,148,149,158 Jmper 7.5mm	JMPR7R5
J	137,138 Jmper 15mm	JMPR15R0
J	143-145,147,150 Jmper 5mm	JMPR5R0
J	146,152,156,157 Jmper 10mm	JMPR10R0
J	151,153-155,168 Jmper 5mm	JMPR5R0
J	159 Jmper 20mm	JMPR20R0
J	160 Jmper 25mm	JMPR25R0
J	161-165,170,177 Jmper 10mm	JMPR10R0
J	166,167,185,186 Jmper 7.5mm	JMPR7R5
J	169,176,190,192 Jmper 5mm	JMPR5R0
J	171 Jmper 22.5mm	JMPR22R5
J	172,173 Jmper 15mm	JMPR15R0
J	174,175,178,182 Jmper 12.5mm	JMPR12R5
J	179-181,183 Jmper 10mm	JMPR10R0
J	184 Jmper 17.5mm	JMPR17R5
J	187,191,202,205 Jmper 12.5mm	JMPR12R5
J	188,189,193-201 Jmper 7.5mm	JMPR7R5
J	203,207 Jmper 7.5mm	JMPR7R5
J	204,206 Jmper 5mm	JMPR5R0

S	201 Slide Switch	DSH1066
S	202,204 Slide Switch	DSH1058
S	203,205,206 Tact Switch	DSG1079
VR	201,204,209,214 Rotary VR	DCS1117
VR	202,203,205-208 Rotary VR	DCS1116

Mark	No.	Description	Part No.
------	-----	-------------	----------

	VR	210-213,215 Rotary VR	DCS1116
	VR	216 Rotary VR	DCS1117
A	CN	101 39P Connector	VKN2097
	CN	102 L-Plug(3P)	KM200NA3L
	CN	103 9P Connector	VKN1240

**RESISTORS**

	R	153,315-322	RS1/4SA0R0J
	R	181	RS1/8SQ0R0J
		Other Resistors	RS1/10SR###J

**CAPACITORS**

B	C	101	CEJQ470M16
	C	102,104,105,220-224	CKSRYB104K16
	C	201-208,211-216,218,219	CKSRYB102K50
	C	209,210	CKSRYB105K10
	C	225-238	CKSRYB104K16
	C	302-305	CCSRCH681J50

**C TRIM ASSY****MISCELLANEOUS**

	JH	601 7P Cable Holder	51048-0700
	JP	601 Parallel Jumper	D20PDY0705E
	VR	601 Rotary VR	DCS1136

**RESISTORS**

	R	601,602	RS1/8SQ0R0J
	R	603	RS1/10SR0R0J

**CAPACITORS**

D	C	601	CKSRYB104K16
---	---	-----	--------------

**D HPJK ASSY****MISCELLANEOUS**

	J	401 Jmper 5mm	JMPR5R0
	J	402 Jmper 17.5mm	JMPR17R5
	J	403 Jmper 25mm	JMPR25R0
	J	404,405 Jmper 10mm	JMPR10R0
E	VA	401-403 Varistors	EZJZ1V270RM
	CN	401 3PJumper Connector	52151-0310
	JA	401 6.5 DIA Jack	DKN1653
	JA	402 Stereo Mini Jack	XKN3017

**RESISTORS**

		All Resistors	RS1/10SR###J
--	--	---------------	--------------

**CAPACITORS**

F	C	401-404	ACE7113
	C	405,406	CEANP471M6R3
	C	407,409	CKSRYB104K16

Mark	No.	Description	Part No.
------	-----	-------------	----------

	C	408,410	CCSRCH102J50
--	---	---------	--------------

**E FADB ASSY****SEMICONDUCTORS**

	D	501-507 Rectifier Diode	DA2J101
--	---	-------------------------	---------

**MISCELLANEOUS**

	J	501,505-507 Jmper 7.5mm	JMPR7R5
	J	502,504,508 Jmper 5mm	JMPR5R0
	S	501 Slide Switch	ASH1037
	S	502 Slide Switch	ASH1039
	VR	501,502 Variable Resistor	DCV1024
	CN	501 9P Connector	VKN1240

**CAPACITORS**

	C	501,502	CKSRYB104K16
--	---	---------	--------------

**F MP SH ASSY****MISCELLANEOUS**

	KN	701 Screw Plate	VNE1948
--	----	-----------------	---------

**G PPSH ASSY****MISCELLANEOUS**

	KN	801 Screw Plate	VNE1948
--	----	-----------------	---------

**H STAY ASSY**

STAY ASSY has no service parts.

**I HOLD ASSY**

HOLD ASSY has no service parts.

**J CRFD ASSY**

**CRFD ASSY because of only ASSY replacement, parts are not serviced.**

CRFD ASSY は ASSY 交換のみとなる為、部品はサービスされません。