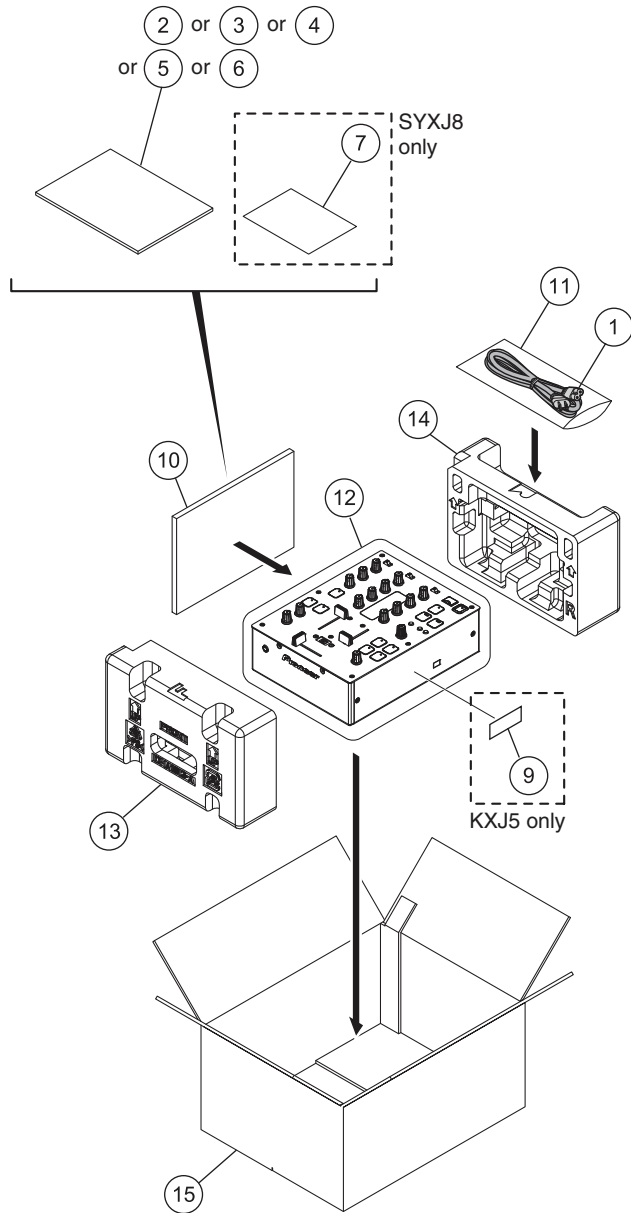


# 9. EXPLODED VIEWS AND PARTS LIST

- NOTES:
- Parts marked by "NSP" are generally unavailable because they are not in our Master Spare Parts List.
  - The  $\triangle$  mark found on some component parts indicates the importance of the safety factor of the part. Therefore, when replacing, be sure to use parts of identical designation.
  - Screws adjacent to  $\nabla$  mark on product are used for disassembly.
  - For the applying amount of lubricants or glue, follow the instructions in this manual. (In the case of no amount instructions, apply as you think it appropriate.)

## 9.1 PACKING SECTION



**(1) PACKING SECTION PARTS LIST**

<u>Mark No.</u>	<u>Description</u>	<u>Part No.</u>
⚠	1 Power Cable	See Contrast table (2)
	2 Operating Instructions	See Contrast table (2)
	3 Operating Instructions	See Contrast table (2)
	4 Operating Instructions	See Contrast table (2)
	5 Operating Instructions	See Contrast table (2)
	6 Operating Instructions	See Contrast table (2)
NSP	7 Warranty Card (WY)	See Contrast table (2)
	8 •••••	
	9 Rycycle Label (M)	See Contrast table (2)
NSP	10 Polyethylene Bag	AHG7117
	11 Vinyl Bag	Z21-013
	12 Packing Sheet	AHG7015
	13 Pad F	See Contrast table (2)
	14 Pad R	See Contrast table (2)
	15 Packing Case	See Contrast table (2)

**(2) CONTRAST TABLE**

DJM-350/SYXJ8, CUXJ, LXJ, KXJ5 and AXJ5 are constructed the same except for the following:

Mark	No.	Symbol and Description	DJM-350 /SYXJ8	DJM-350 /CUXJ	DJM-350 /LXJ	DJM-350 /KXJ5	DJM-350 /AXJ5
⚠	1	Power Cable	ADG1154	ADG7022	ADG1154	XDG3054	ADG7079
	2	Operating Instructions (En, Fr, De, It, Ni, Es, Ru)	DRB1501	Not used	Not used	Not used	Not used
	3	Operating Instructions (En)	Not used	DRB1502	Not used	Not used	Not used
	4	Operating Instructions (En, Es, Zhtw)	Not used	Not used	DRB1504	Not used	Not used
	5	Operating Instructions (Ko)	Not used	Not used	Not used	DRB1503	Not used
NSP	6	Operating Instructions (Zhcn)	Not used	Not used	Not used	Not used	DRB1505
	7	Warranty Card (WY)	ARY7107	Not used	Not used	Not used	Not used
	9	Rycycle Label (M)	Not used	Not used	Not used	DRW2307	Not used
	13	Pad F	DHA1813	DHA1813	DHA1813	DHA1815	DHA1813
	14	Pad R	DHA1814	DHA1814	DHA1814	DHA1816	DHA1814
	15	Packing Case	DHG2963	DHG2964	DHG2966	DHG2968	DHG2967

# 9.2 EXTERIOR SECTION

1

2

3

4

A

B

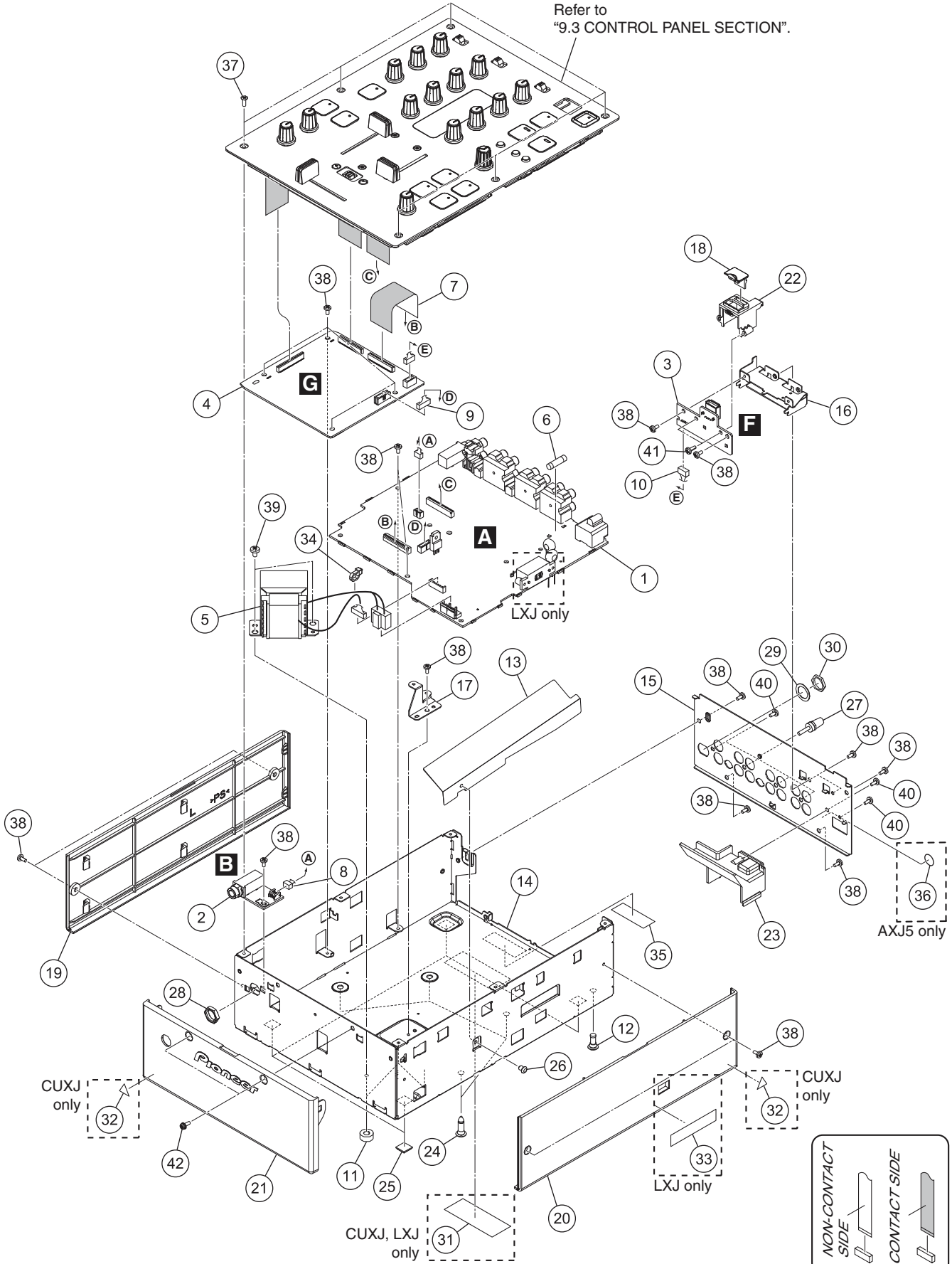
C

D

E

F

Refer to  
"9.3 CONTROL PANEL SECTION".



1

2

3

4

**(1) EXTERIOR SECTION PARTS LIST**

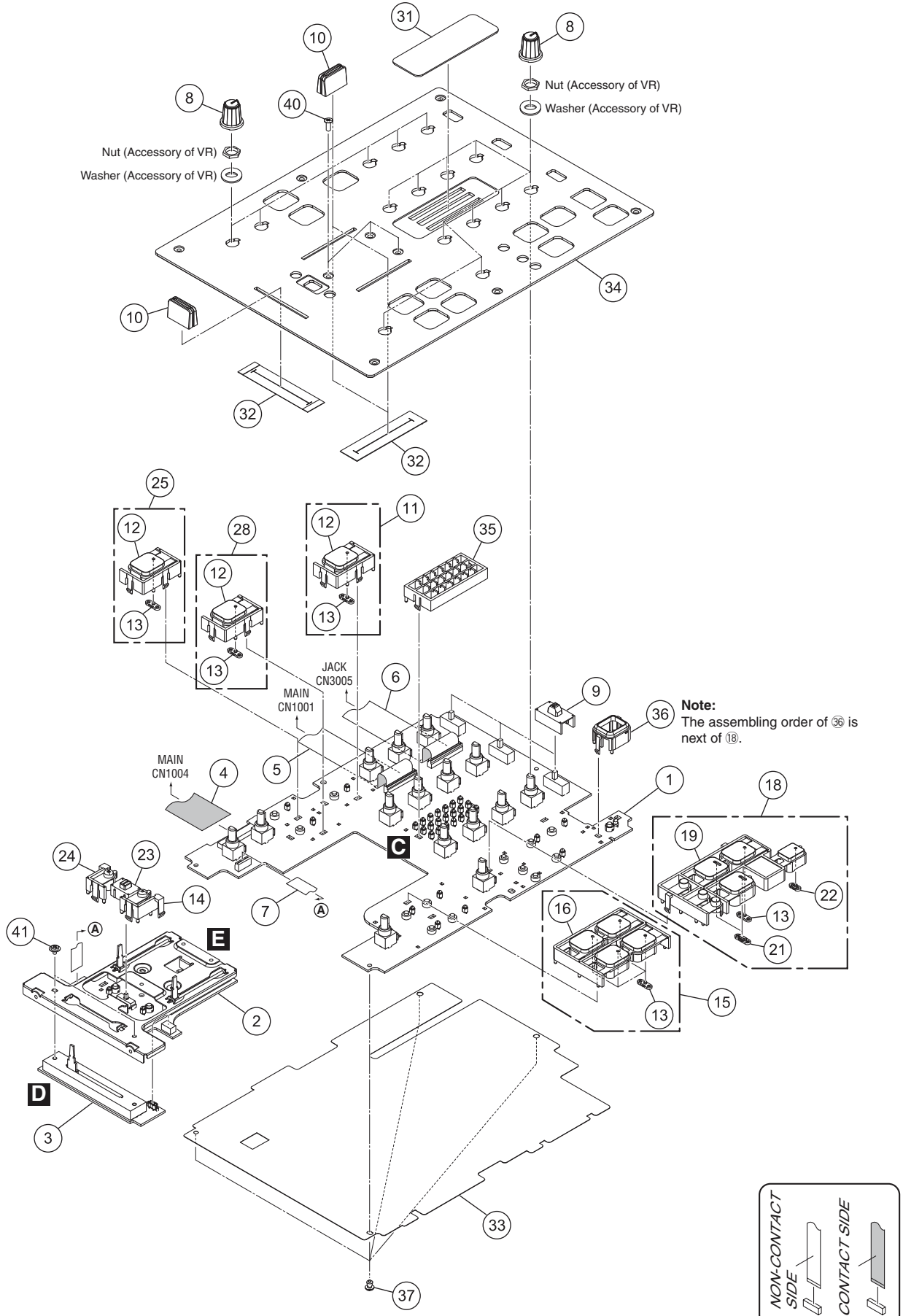
<b>Mark No.</b>	<b>Description</b>	<b>Part No.</b>	<b>Mark No.</b>	<b>Description</b>	<b>Part No.</b>
	1 JACK Assy	See Contrast table (2)	⚠ 21	Front Panel	DNK5556
	2 HPJK Assy	DWX3114		22 USB Holder	DNK5598
	3 USJK Assy	DWX3115	⚠ 23	PCB Cover	DNK5765
	4 MAIN Assy	DWX3112		24 PCB Holder	PNW2029
⚠ 5	Transformer	See Contrast table (2)		25 Rubber Foot	VEB1349
⚠ 6	Fuse (T400 mA)	AEK1050		26 Rivet (Plastic)	RBM-003
	7 29P FFC	DDD1532		27 Terminal Screw	AKE-031
	8 Connector Assy 3P	DKP3868		28 Nut M12	DBN1018
	9 Connector Assy 6P	DKP3892		29 Washer	DEC2920
	10 Connector Assy 4P	DKP3893		30 Nut (M12)	NKX2FNI
NSP 11	Spacer	AEB7092	NSP 31	FCC Label	See Contrast table (2)
	12 PCB Holder	AEC7057	NSP 32	Label	See Contrast table (2)
	13 Shield Sheet B	DEC3311	NSP 33	V Select Label	See Contrast table (2)
	14 Chassis	DNA1372		34 Binder	ZCA-SKB90BK
	15 Rear Panel	See Contrast table (2)	NSP 35	Label	VRW1629
	16 USB Stay	DNF1854	NSP 36	CCC S & E Label	See Contrast table (2)
	17 Main Stay	DNF1856		37 Screw (FE)	DBA1290
	18 USB Cover	DNK4999		38 Screw	BBZ30P060FTB
⚠ 19	Side Panel L	DNK5554		39 Screw	BBZ40P060FTC
⚠ 20	Side Panel R	See Contrast table (2)		40 Screw	BPZ30P080FTB
				41 Screw	BPZ30P080FTC
				42 Screw	PBH30P080FTB

**(2) CONTRAST TABLE**

DJM-350/SYXJ8, CUXJ, LXJ, KXJ5 and AXJ5 are constructed the same except for the following:

<b>Mark</b>	<b>No.</b>	<b>Symbol and Description</b>	<b>DJM-350 /SYXJ8</b>	<b>DJM-350 /CUXJ</b>	<b>DJM-350 /LXJ</b>	<b>DJM-350 /KXJ5</b>	<b>DJM-350 /AXJ5</b>
⚠	1	JACK Assy	DWX3136	DWX3135	DWX3116	DWX3136	DWX3136
⚠	5	Transformer	DTT1253	DTT1252	DTT1250	DTT1253	DTT1253
	15	Rear Panel	DNC1948	DNC1947	DNC1950	DNC1952	DNC1951
⚠	20	Side Panel R	DNK5555	DNK5555	DNK5601	DNK5555	DNK5555
NSP	31	FCC Label	Not used	Not used	DRW2299	Not used	Not used
NSP	31	FCC, Class B Label	Not used	DRW2300	Not used	Not used	Not used
NSP	32	Label	Not used	DRW1975	Not used	Not used	Not used
NSP	33	V Select Label	Not used	Not used	DRW2349	Not used	Not used
NSP	36	CCC S & E Label	Not used	Not used	Not used	Not used	DRW2310

# 9.3 CONTROL PANEL SECTION



## CONTROL PANEL SECTION PARTS LIST

<u>Mark No.</u>	<u>Description</u>	<u>Part No.</u>	
1	VRSW Assy	DWX3117	
2	FADR Assy	DWX3118	A
3	CRFD Assy	DWX3119	
4	31P FFC	DDD1529	
5	27P FFC	DDD1530	
6	29P FFC	DDD1531	
7	10P FFC	DDD1533	
8	Rotary VR Knob (B)	DAA1257	
9	SW Cap MIC	DAC2346	
10	Slider Knob	DAC2501	
11	Button MIC Assy	DAC2583	B
12	Button CUE	DAC2582	
13	LED Lens	DNK5553	
14	Button Fader R	DAC2586	
15	Button EFFECT Assy	DAC2587	
16	Button EFFECT	DAC2588	
17	•••••		
18	Button REC Assy	DAC2589	
19	Button REC	DAC2602	
20	•••••		C
NSP	21 Lens REC	DNK5558	
NSP	22 Lens STANDBY	DNK5729	
	23 SW Cap Fader	DAC2591	
	24 Button Fader L	DAC2593	
	25 Button CUE1 Assy	DAC2600	
	26 •••••		
	27 •••••		
	28 Button CUE2 Assy	DAC2601	
	29 •••••		D
	30 •••••		
	31 Level Plate	DAH2788	
	32 Fader Packing	DEC2903	
	33 Shield Sheet	DEC3224	
	34 Control Panel	DNB1180	
	35 Level Meter Holder	DNK4622	
	36 STANDBY Guard	DNK5730	
	37 Rivet (Plastic)	RBM-003	
	38 •••••		E
	39 •••••		
	40 Screw (FE)	DBA1290	
	41 Screw	IMZ30P040FTC	

# 12. PCB PARTS LIST

NOTES: ● Parts marked by "NSP" are generally unavailable because they are not in our Master Spare Parts List.

● The  $\Delta$  mark found on some component parts indicates the importance of the safety factor of the part. Therefore, when replacing, be sure to use parts of identical designation.

● When ordering resistors, first convert resistance values into code form as shown in the following examples.

Ex.1 When there are 2 effective digits (any digit apart from 0), such as 560 ohm and 47 k ohm (tolerance is shown by J = 5%, and K = 10%).

560  $\Omega$   $\rightarrow$   $56 \times 10^1$   $\rightarrow$  561 ..... RD1/APU  $\boxed{5}$   $\boxed{6}$   $\boxed{7}$  J  
47 k $\Omega$   $\rightarrow$   $47 \times 10^3$   $\rightarrow$  473 ..... RD1/APU  $\boxed{4}$   $\boxed{7}$   $\boxed{3}$  J  
0.5  $\Omega$   $\rightarrow$  R50 ..... RN2H  $\boxed{R}$   $\boxed{5}$   $\boxed{0}$  K  
1  $\Omega$   $\rightarrow$  1R0 ..... RSIP  $\boxed{7}$   $\boxed{R}$   $\boxed{0}$  K

Ex.2 When there are 3 effective digits (such as in high precision metal film resistors).

5.62 k $\Omega$   $\rightarrow$   $562 \times 10^1$   $\rightarrow$  5621 ..... RN1/4PC  $\boxed{5}$   $\boxed{6}$   $\boxed{2}$   $\boxed{7}$  F

● Meaning of the figures and others in the parentheses in the parts list.

Example) IC 301 is on the point (face A, 91 of x-axis, and 111 of y-axis) of the corresponding PC board.

IC 301 (A, 91, 111) IC NJM2068V

**Mark No. Description** **Part No.** **Mark No. Description** **Part No.**

## LIST OF ASSEMBLIES

1..MAIN ASSY	DWX3112	NSP	1..PANL ASSY	DWM2383
1..JACK ASSY (SYXJ8, KXJ5, AXJ5)	DWX3136		2..HPJK ASSY	DWX3114
1..JACK ASSY (CUXJ)	DWX3135		2..USJK ASSY	DWX3115
1..JACK ASSY (LXJ)	DWX3116		2..VRSW ASSY	DWX3117
			2..FADR ASSY	DWX3118
			2..CRFD ASSY	DWX3119

## CONTRAST OF PCB ASSEMBLIES

### A JACK ASSY

DWX3136, DWX3135 and DWX3116 are constructed the same except for the following:

Mark	Symbol and Description	DWX3136	DWX3135	DWX3116
$\Delta$	CN3002 Connector	B2P3-VH	B2P3-VH	Not used
$\Delta$	CN3001 Connector (VH)	Not used	Not used	B3P5-VH
$\Delta$	JA3001 AC Inlet	DKP3860	DKP3861	DKP3860
$\Delta$	T3001 Transformer	DTT1245	DTT1244	DTT1242
$\Delta$	S3002 Voltage Selector	Not used	Not used	AKX7020

## PCB PARTS LIST FOR DJM-350/SYXJ8 UNLESS OTHER WISE NOTED

**Mark No. Description** **Part No.** **Mark No. Description** **Part No.**

### A JACK ASSY SEMICONDUCTORS

IC 1002	R5S72630P200FP
IC 1007	BU4228FVE
IC 1009	TC7SU04FU
IC 1010	K4S641632N-LC75
IC 1011	DYW1794
$\Delta$ IC 1012-1016,1032	TC7SH08FUS1
$\Delta$ IC 1018	BD9326EFJ
IC 1019	R5523N001B
$\Delta$ IC 1020	BD9106FVM
IC 1025-1027	AK5358AET
IC 1030	AK4359AEF
IC 1035-1037	TC7SH08FUS1
$\Delta$ IC 1038	NJM2393M
$\Delta$ IC 1039,1040	BH33FB1WG
IC 1041	BU4238G
Q 1007,1009,1015	RT1N141M-11

Q 1008,1011-1013	LSA1576UB
Q 1010,1014	RT1P141M
$\Delta$ D 1002	RSX201L-30
D 1005-1010	1SS302

D 1011-1013	RKZ3.3KG(B2)
$\Delta$ D 1014	EP05Q06

### MISCELLANEOUS

L 1001 COIL	ATH7015
L 1003,1004 INDUCTOR	BTH1112
L 1006 INDUCTOR(470UH)	DTL1123
F 1001,1002 EMI FILTER	DTL1106
KN 1001-1004 WRAPPING TERMINAL	CKF1089
X 1001 X'TAL 33M	ASS7040
X 1002 CRYSTAL	ASS7099
X 1003 CRYSTAL RESONATOR	ASS7025
CN 1001 27P CONNECTOR	VKN1431
CN 1002 29P CONNECTOR	VKN1433
CN 1003 CONNECTOR	AKM1275

Mark	No.	Description	Part No.
	CN 1004	31P CONNECTOR	VKN1435
	CN 1005	CONNECTOR	AKM1277
<b>RESISTORS</b>			
R	1002,1021,1059,1060		RAB4CQ101J
R	1004,1010,1022,1023		RAB4CQ330J
R	1026,1028,1032		RAB4CQ330J
R	1044		RS1/16SS5601F
R	1049,1053		RAB4CQ104J
R	1061,1062,1065,1066		RAB4CQ680J
R	1077		RS1/16SS4702F
R	1078		RS1/16SS1002F
R	1083		RS1/16SS1002D
R	1084		RS1/16SS2002D
R	1133,1205,1225		RAB4CQ101J
R	1170,1175-1177		RAB4CQ103J
R	1171,1179,1181		RAB4CQ472J
R	1185		RAB4CQ102J
R	1186		RAB4CQ562J
R	1187-1189,1231		RAB4CQ103J
R	1190,1232-1235		RS1/8SQ0R0J
R	1226		RS1/4SAR82J
R	1228		RS1/16SS3302D
R	1229		RS1/16SS1102D
R	1243		RS1/4SA0R0J
	Other Resistors		RS1/16SS###J

**CAPACITORS**

C	1002-1014,1016-1018	CKSSYB104K10
C	1020-1026,1028,1029	CKSSYB104K10
C	1030,1033,1055	CCSSCH100D50
C	1031,1032,1034	CKSSYB104K10
C	1035	CKSSYB102K50
C	1038-1047,1049	CKSSYB104K10
C	1050	CCSSCH8R0D50
C	1052-1054,1056,1057	CCSSCH471J50
C	1058,1116,1122,1128	CKSSYB103K16
C	1059,1060	CCSSCH471J50
C	1061,1068	CCSSCH180J50
C	1062-1067,1069-1074	CKSSYB104K10
C	1076-1078,1090,1092	CKSSYB104K10
C	1079,1109,1111,1118	CEVW100M16
C	1080,1239-1244	CKSRYB105K10
C	1082,1226	CCG1221
C	1084,1154	CKSRYB104K25
C	1086,1155,1161,1165	CKSYB106K10
C	1091,1194,1237	CEVW101M16
C	1093	CCSRCH561J50
C	1108,1110,1117,1119	CKSSYB104K10
C	1115,1121,1127,1137	CEVW470M6R3
C	1120,1124,1126,1133	CEVW100M16
C	1123,1125,1132,1135	CKSSYB104K10
C	1129,1146,1148	CKSSYB103K16
C	1134,1151,1152	CEVW100M16
C	1136,1139-1142,1149	CKSSYB104K10
C	1143	CKSSYB272K50
C	1150,1153,1162	CKSSYB104K10
C	1158-1160,1169-1178	CKSSYB103K16
C	1166-1168,1195-1197	CKSSYB104K10
C	1207-1210,1224,1225	CEVW100M16
C	1212,1233,1234,1245	CKSSYB104K10

Mark	No.	Description	Part No.
C	1213,1215-1219,1235		CKSSYB103K16
C	1223		CKSSYB223K16
C	1227		CEVW470M25
C	1228		CCSSCH560J50
C	1229		CCSSCH221J50
C	1230		CKSYB106K10
C	1236		CEVW221M10
C	1246		CKSSYB473K10

**B HPJK ASSY  
MISCELLANEOUS**

L	4001,4002	INDUCTOR	CTF1382
JA	4001	HEADPHONE JACK	DKN1622
KN	4001	WRAPPING TERMINAL	VNF1084
CN	4001	L-PLUG (3P)	KM200NA3L

**RESISTORS**

All Resistors	RS1/10SR###J
---------------	--------------

**CAPACITORS**

C	4001,4002	CKSRYB104K16
C	4003	CFLA104J50

**C VRSW ASSY  
SEMICONDUCTORS**

IC	5001-5004	NJM4565MD
IC	5005	TC74HC4052AF
Q	5001-5007	RT1N241M
Q	5008-5012	DTC143EUA
Q	5013-5019	LSA1576UB
Q	5021,5028	RT1P141M
D	5001,5008,5015,5027	SLI-343U8RC(HJKL)
D	5002,5003,5009,5010	SLI-343Y8C(KLMN)
D	5016,5017,5022,5023	SLI-343Y8C(KLMN)
D	5024-5026	SLI-343M8C(FGHJ)
D	5028	SLI-343U8RC(HJKL)
D	5029-5031	SLI-343M8C(FGHJ)
D	5004-5007,5011-5014,5018-5021	TLGE68TG(NP)
D	5032-5044	1SS352
D	5045	SPR-39MVWF(MN)

**MISCELLANEOUS**

VR	5001,5002	POTENTIOMETER	DCS1107
VR	5003	POTENTIOMETER	DCS1110
VR	5004-5013	POTENTIOMETER	DCS1108
VR	5014,5015	POTENTIOMETER	DCS1109
S	5001-5003	SLIDE SWITCH	DSH1066
S	5004-5016	TACT SWITCH	DSG1079
S	5017	SWITCH	VSG1024
CN	5001	29P CONNECTOR	VKN1260
CN	5002	27P CONNECTOR	VKN1258
CN	5003	10P CONNECTOR	VKN1241
CN	5004	31P CONNECTOR	VKN1291

**RESISTORS**

R	5005,5006,5011,5012	RN1/16SE2201D
Other Resistors	RS1/10SR###J	



Mark	No.	Description	Part No.
------	-----	-------------	----------

Mark	No.	Description	Part No.
------	-----	-------------	----------

**CAPACITORS**

C	5001,5002,5044,5046	CEJQ470M16
C	5003,5004,5009-5012	CKSRYB104K16
C	5005-5008,5017,5018	CEJQ100M16
C	5019,5020,5023,5024	CKSRYB104K16
C	5021,5022	CKSRYB332K50
C	5025,5028	CCSRCH220J50
C	5026,5027	CKSQYB334K50
C	5029,5035,5048-5050	CKSRYB103K50
C	5030-5034,5036-5040	CKSRYB104K16
C	5042,5043,5045,5047	CKSRYB104K16
C	5051,5052	CEJQ100M16

**G MAIN ASSY****SEMICONDUCTORS**

IC	1002	R5S72630P200FP
IC	1007	BU4228FVE
IC	1009	TC7SU04FU
IC	1010	K4S641632N-LC75
IC	1011	DYW1794
IC	1012-1016,1032	TC7SH08FUS1
IC	1018	BD9326EFJ
IC	1019	R5523N001B
IC	1020	BD9106FVM
IC	1025-1027	AK5358AET
IC	1030	AK4359AEF
IC	1035-1037	TC7SH08FUS1
IC	1038	NJM2393M
IC	1039,1040	BH33FB1WG
IC	1041	BU4238G

**D CRFD ASSY**  
**SEMICONDUCTORS**

D	7001,7002	1SS352
---	-----------	--------

**MISCELLANEOUS**

J	7001 JUMPER WIRE	D20PDY0305E
VR	7001 VARIABLE RESISTOR	DCV1023
JH	7001 3P CABLE HOLDER	51048-0300

**CAPACITORS**

C	7001	CKSRYB104K16
---	------	--------------

**E FADR ASSY**  
**SEMICONDUCTORS**

D	6001-6008	1SS352
D	6009,6010	SLI-343Y8C(KLMN)

**MISCELLANEOUS**

VR	6001,6002 VARIABLE RESISTOR	DCV1024
S	6001,6003 SWITCH	VSG1024
S	6002 SLIDE SWITCH	ASH1037
CN	6001 10P CONNECTOR	VKN1241
CN	6002 3P JUMPER CONNECTOR	52147-0310

**RESISTORS**

All Resistors	RS1/10SR###J
---------------	--------------

**CAPACITORS**

C	6001,6002	CKSRYB104K16
---	-----------	--------------

**F USJK ASSY**  
**SEMICONDUCTORS**

D	4501	NNCD6.2MF
D	4502	RKZ5.6KG(B2)

**MISCELLANEOUS**

JA	4502 USB CONNECTOR	DKB1106
CN	4501 L-PLUG (4P)	KM200NA4L

**CAPACITORS**

C	4503	CFTLA103J50
---	------	-------------

**MISCELLANEOUS**

L	1001 COIL	ATH7015
L	1003,1004 INDUCTOR	BTH1112
L	1006 INDUCTOR (470 uH)	DTL1123
F	1001,1002 EMI FILTER	DTL1106
KN	1001-1004 WRAPPING TERMINAL	CKF1089
X	1001 X'TAL (33.0 MHz)	ASS7040
X	1002 CRYSTAL (48 MHz)	ASS7099
X	1003 CRYSTAL RESONATOR (24.576 MHz)	ASS7025
CN	1001 27P CONNECTOR	VKN1431
CN	1002 29P CONNECTOR	VKN1433
CN	1003 CONNECTOR	AKM1275
CN	1004 31P CONNECTOR	VKN1435
CN	1005 CONNECTOR	AKM1277

**RESISTORS**

R	1002,1021,1059,1060	RAB4CQ101J
R	1004,1010,1022,1023	RAB4CQ330J
R	1026,1028,1032	RAB4CQ330J
R	1044	RS1/16SS5601F
R	1049,1053	RAB4CQ104J
R	1061,1062,1065,1066	RAB4CQ680J
R	1077	RS1/16SS4702F
R	1078	RS1/16SS1002F
R	1083	RS1/16SS1002D
R	1084	RS1/16SS2002D
R	1133,1205,1225	RAB4CQ101J
R	1170,1175-1177	RAB4CQ103J
R	1171,1179,1181	RAB4CQ472J
R	1185	RAB4CQ102J
R	1186	RAB4CQ562J
R	1187-1189,1231	RAB4CQ103J
R	1190,1232-1235	RS1/8SQ0R0J
R	1226	RS1/4SAR82J
R	1228	RS1/16SS3302D
R	1229	RS1/16SS1102D

Mark	No.	Description	Part No.
------	-----	-------------	----------

R	1243	Other Resistors	RS1/4SA0R0J RS1/16SS##J
---	------	-----------------	----------------------------

### CAPACITORS

C	1002-1014,1016-1018	CKSSYB104K10
C	1020-1026,1028,1029	CKSSYB104K10
C	1030,1033,1055	CCSSCH100D50
C	1031,1032,1034	CKSSYB104K10
C	1035	CKSSYB102K50

C	1038-1047,1049	CKSSYB104K10
C	1050	CCSSCH8R0D50
C	1052-1054,1056,1057	CCSSCH471J50
C	1058,1116,1122,1128	CKSSYB103K16
C	1059,1060	CCSSCH471J50

C	1061,1068	CCSSCH180J50
C	1062-1067,1069-1074	CKSSYB104K10
C	1076-1078,1090,1092	CKSSYB104K10
C	1079,1109,1111,1118	CEVW100M16
C	1080,1239-1244	CKSRYB105K10

C	1082,1226	CCG1221
C	1084,1154	CKSRYB104K25
C	1086,1155,1161,1165	CKSYB106K10
C	1091,1194,1237	CEVW101M16
C	1093	CCSRCH561J50

C	1108,1110,1117,1119	CKSSYB104K10
C	1115,1121,1127,1137	CEVW470M6R3
C	1120,1124,1126,1133	CEVW100M16
C	1123,1125,1132,1135	CKSSYB104K10
C	1129,1146,1148	CKSSYB103K16

C	1134,1151,1152	CEVW100M16
C	1136,1139-1142,1149	CKSSYB104K10
C	1143	CKSSYB272K50
C	1150,1153,1162	CKSSYB104K10
C	1158-1160,1169-1178	CKSSYB103K16

C	1166-1168,1195-1197	CKSSYB104K10
C	1207-1210,1224,1225	CEVW100M16
C	1212,1233,1234,1245	CKSSYB104K10
C	1213,1215-1219,1235	CKSSYB103K16
C	1223	CKSSYB223K16

C	1227	CEVW470M25
C	1228	CCSSCH560J50
C	1229	CCSSCH221J50
C	1230	CKSYB106K10
C	1236	CEVW221M10

C	1246	CKSSYB473K10
---	------	--------------