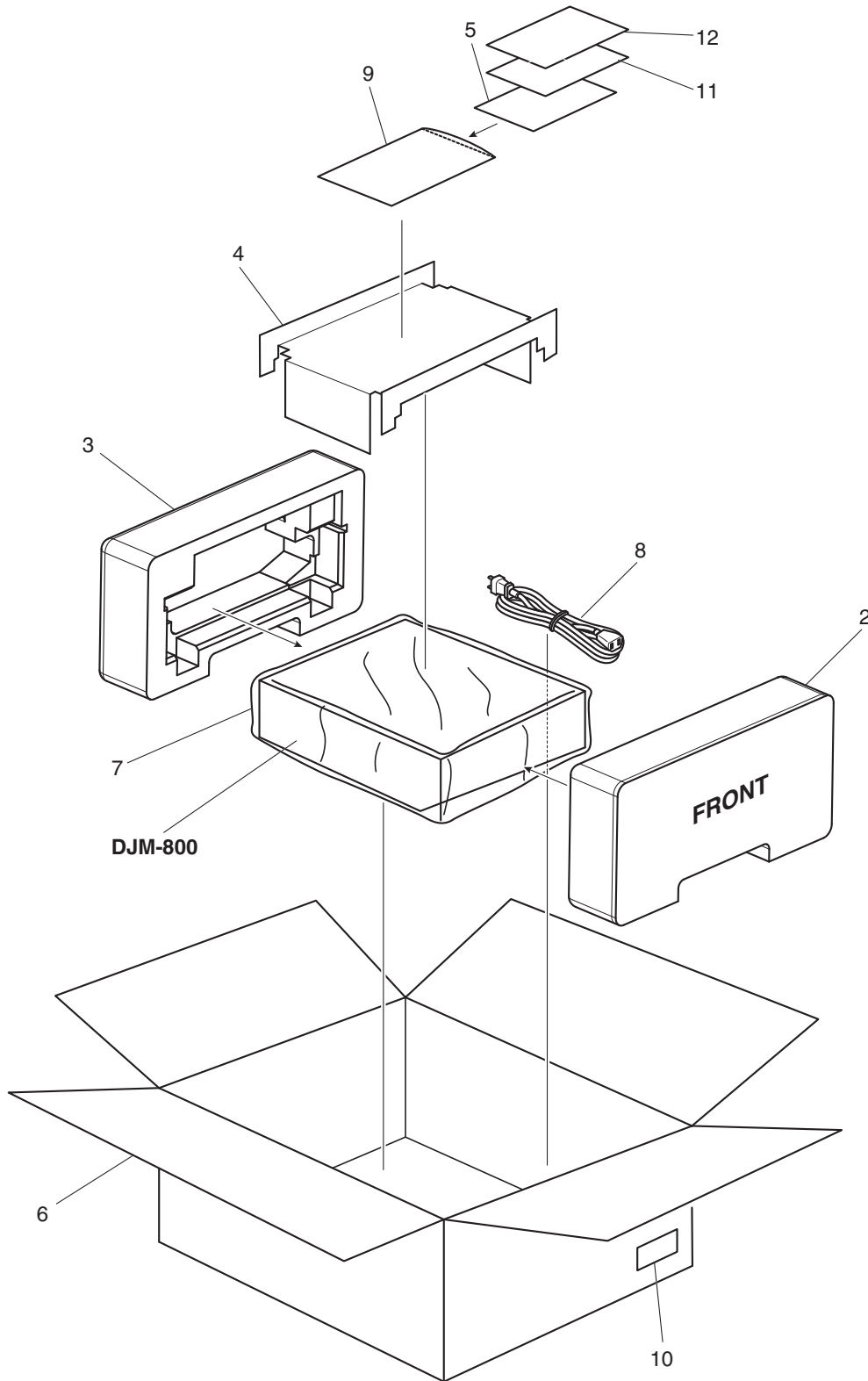


DJM-800

2. EXPLODED VIEWS AND PARTS LIST

- NOTES:
- Parts marked by "NSP" are generally unavailable because they are not in our Master Spare Parts List.
 - The \triangle mark found on some component parts indicates the importance of the safety factor of the part. Therefore, when replacing, be sure to use parts of identical designation.
 - Screws adjacent to \blacktriangledown mark on product are used for disassembly.
 - For the applying amount of lubricants or glue, follow the instructions in this manual. (In the case of no amount instructions, apply as you think it appropriate.)

2.1 PACKING SECTION



DJM-800

(1) PACKING SECTION PARTS LIST

<u>Mark No.</u>	<u>Description</u>	<u>Part No.</u>	<u>Mark No.</u>	<u>Description</u>	<u>Part No.</u>
1	••••		⚠ 8	Power Cord	See Contrast table (2)
2	Pad Front	DHA1698	NSP 9	Polyethylene Bag	AHG7117
3	Pad Rear	DHA1699	NSP 10	Label	See Contrast table (2)
4	Pad Top	DHA1705			
5	Instruction Manual(M800)	See Contrast table (2)	NSP 11	Warranty Card	See Contrast table (2)
			NSP 12	User Registration Sheet	DRM1262
6	Packing Case	See Contrast table (2)			
7	Sheet	RHX1006			

(2) CONTRAST TABLE

DJM-800/WYXJ5, DJM-800/TLXJ and DJM-800/KUCXJ are constructed the same except for the following

Mark	No.	Symbol and Description	DJM-800 /KUCXJ	DJM-800 /WYXJ5	DJM-800 /TLXJ
	5	Instruction Manual (English)	DRB1393	Not used	Not used
	5	Instruction Manual (English, French German, Italian, Dutch, Spanish)	Not used	DRB1392	Not used
	5	Instruction Manual (English, Spanish, Chinese)	Not used	Not used	DRB1394
	6	Packing Case	DHG2559	DHG2558	DHG2560
⚠	8	Power Cord	DDG1028	ADG7062	ADG7062
NSP	10	Label	DRW2311	VRW1629	VRW1629
NSP	11	Warranty Card	ARY7043	Not used	Not used

2.2 EXTERIOR SECTION

1

2

3

4

A

B

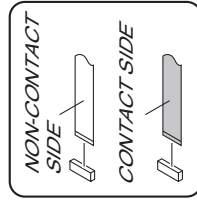
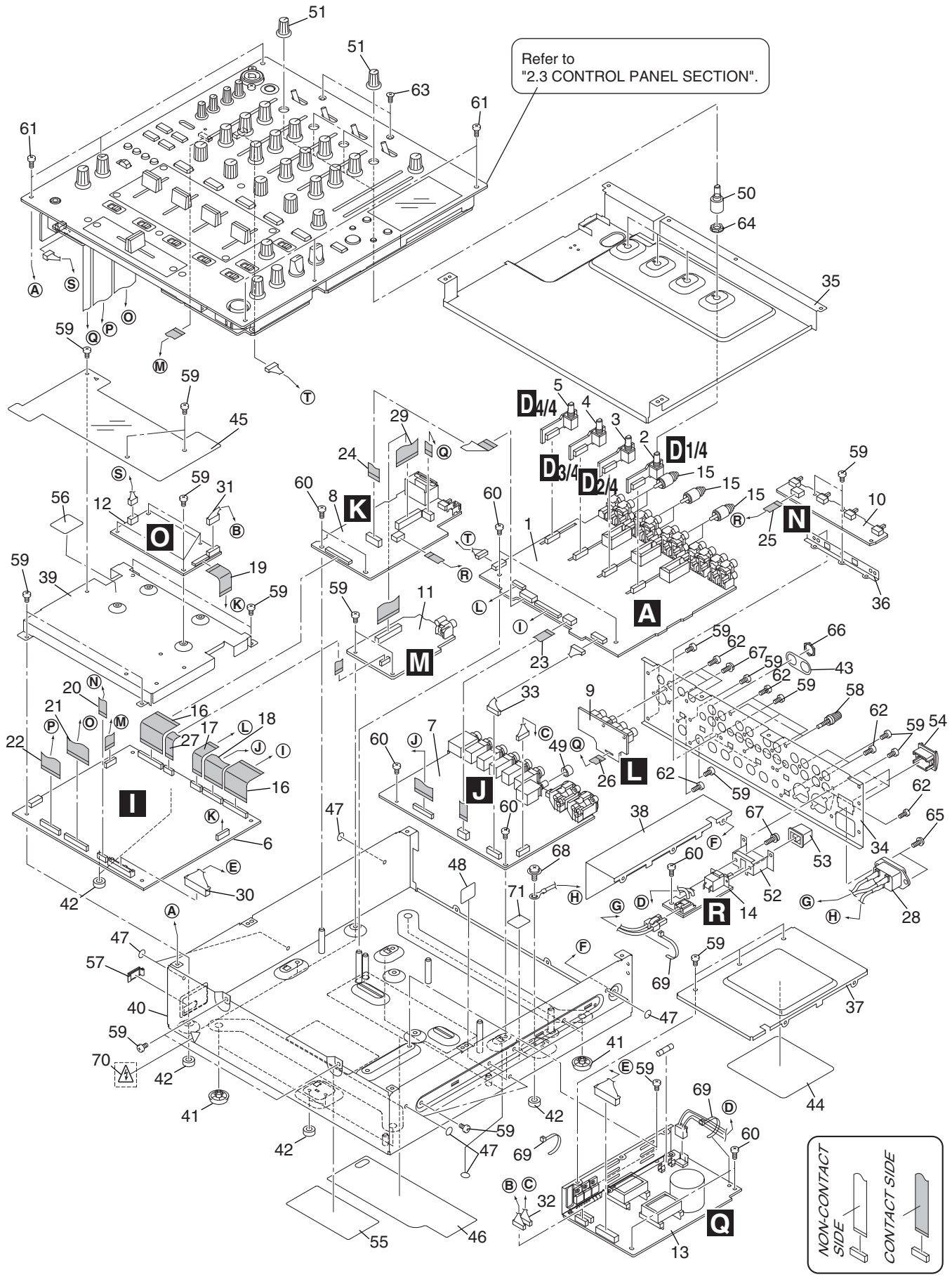
C

D

E

F

Refer to
"2.3 CONTROL PANEL SECTION".



1

2

3

4

EXTERIOR SECTION PARTS LIST

Mark No.	Description	Part No.	Mark No.	Description	Part No.
1	INPUT Assy	DWX2535	37	Shield Case	DNH2697
2	TRIM 4 Assy	DWX2551	38	Shield Case AC	DNH2698
3	TRIM 3 Assy	DWX2550	39	Shield Case DSP	DNH2699
4	TRIM 2 Assy	DWX2549	40	Chassis Assy	DXB1881
5	TRIM 1 Assy	DWX2548	41	Leg Assy	REC-434
6	DSP Assy	DWX2534	NSP 42	Spacer	AEB7092
7	OUTPUT Assy	DWX2544	43	PHONE Spacer	DEC2914
8	DIGIC Assy	DWX2547	44	Barrier A	DEC2915
9	DIGIA Assy	DWX2555	45	Styling Sheet	DEC2917
10	SLSW Assy	DWX2536	46	Bottom Cover	DEC2918
11	DIGIB Assy	DWX2546	47	Blind Label	DEC2928
12	HPAMP Assy	DWX2556	48	Barrier B	DEC2944
△ 13	POWER SUPPLY Unit	DWR1433	49	Select Knob (S)	DAA1166
14	ACSW Assy	DWX2545	50	Extension Shaft	DNK4691
15	Short Pin Plug	AKM7008	51	Rotary SW Knob S	DAA1204
16	Flexible Cable (31P)	DDD1316	52	Bracket PSW	DNF1730
17	Flexible Cable (12P)	DDD1317	53	POWER Knob	DAC2306
18	Flexible Cable (25P)	DDD1318	54	POWER Knob Guard	DNK4534
19	Flexible Cable (16P)	DDD1319	NSP 55	LABEL	See Contrast table (2)
20	Flexible Cable (10P)	DDD1321	56	CAUTION Label	DRW2312
21	Flexible Cable (30P)	DDD1322	57	Blind Cap	DNK4218
22	Flexible Cable (25P)	DDD1323	58	Terminal Screw	AKE-031-0
23	Flexible Cable (7P)	DDD1326	59	Screw	BBZ30P060FTB
24	Flexible Cable (12P)	DDD1327	60	Screw	BBZ30P080FTC
25	Flexible Cable (6P)	DDD1328	61	Screw	BCZ30P080FTB
26	Flexible Cable (7P)	DDD1329	62	Screw	BPZ30P080FTB
27	Flexible Cable (10P)	DDD1333	63	Screw	CCZ30P060FTB
△ 28	AC Inlet Assy	See Contrast table (2)	64	Flange Nut M7	DBN1011
29	Flexible Cable (24P)	DDD1330	65	Screw	IBZ30P080FTB
30	Connector Assy(10P-12P)	DKP3763	66	Nut	NKX2FTC
31	Connector Assy	PF05EE-S22	67	Screw	PMH30P100FTB
32	Connector Assy	PF05EE4S32	68	Screw	PMH40P080FTC
33	Connector Assy	PF06EE-D12	69	Binder (SKB-90BK)	ZCA-SKB90BK
NSP 34	Rear Panel	See Contrast table (2)	NSP 70	Caution LABEL	See Contrast table (2)
35	Bracket TRIM	DNF1728	NSP 71	Earth LABEL	See Contrast table (2)
36	Bracket SSW	DNF1729			

(2) CONTRAST TABLE

DJM-800/WYXJ5, /TLXJ and DJM-800/KUCXJ are constructed the same except for the following :

Mark	No.	Symbol and Description	DJM-800 /KUCXJ	DJM-800 /WYXJ5	DJM-800 /TLXJ
△	28	AC Inlet Assy	DKP3761	DKP3762	DKP3762
NSP	34	Rear Panel	DNC1800	DNC1789	DNC1791
NSP	55	LABEL	DRW2294	DRW2293	DRW2319
NSP	70	Caution LABEL	DRW1975	Not used	Not used
NSP	71	Earth LABEL	DRW2276	Not used	Not used

2.3 CONTROL PANEL SECTION

A

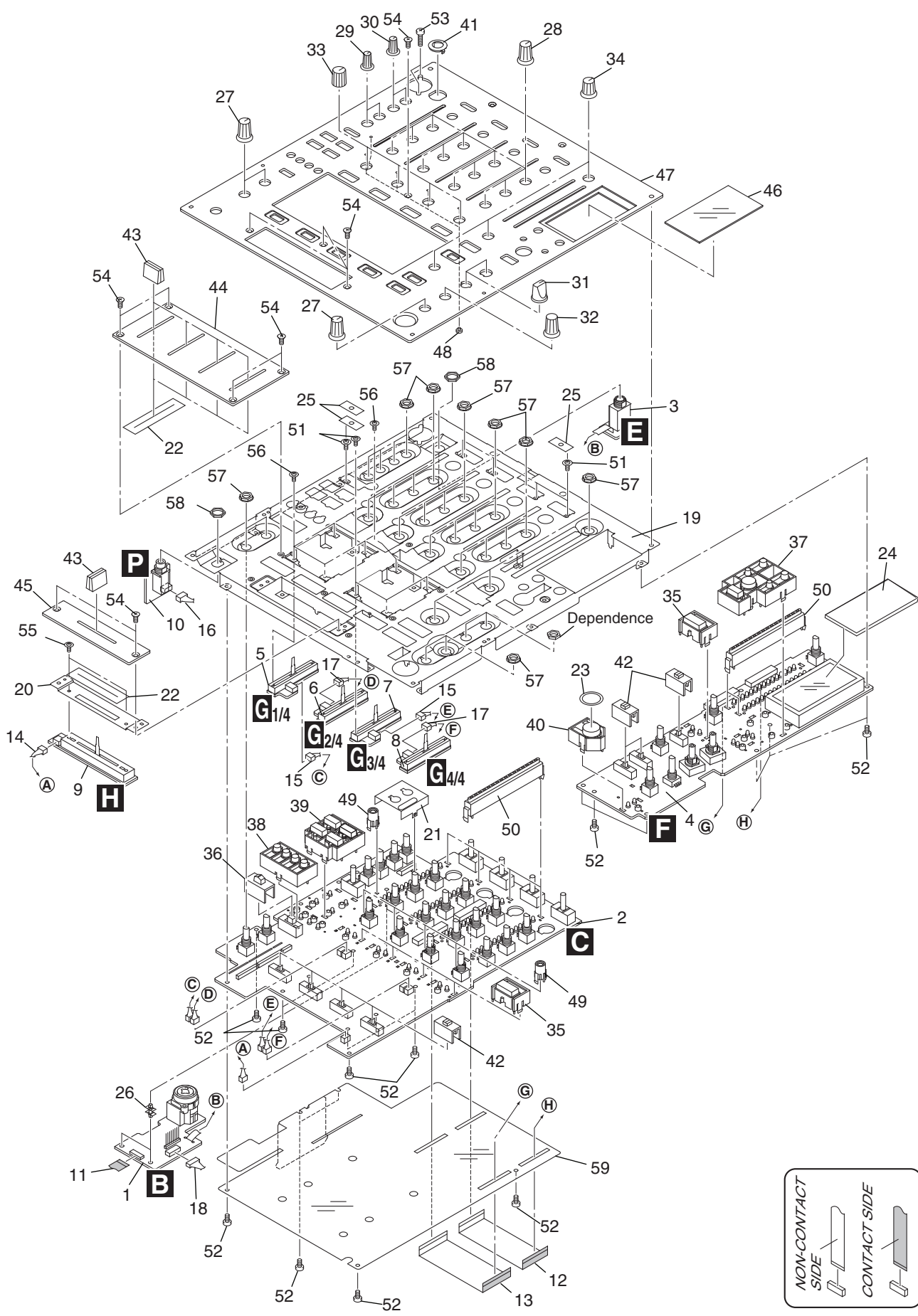
B

C

D

E

F



5 6
CONTROL PANEL SECTION PARTS LIST

<u>Mark No.</u>	<u>Description</u>	<u>Part No.</u>
1	MIC 1 Assy	DWX2542
2	PANEL 1 Assy	DWX2552
3	MIC 2 Assy	DWX2543
4	PANEL 2 Assy	DWX2554
5	CHFD 1 Assy	DWX2537
6	CHFD 2 Assy	DWX2538
7	CHFD 3 Assy	DWX2539
8	CHFD 4 Assy	DWX2540
9	CRSFD Assy	DWX2541
10	HP JACK Assy	DWX2553
11	Flexible Cable (12P)	DDD1320
12	Flexible Cable (27P)	DDD1324
13	Flexible Cable (30P)	DDD1325
14	Housing Wire Assy	PF03PP-D12
15	Housing Wire Assy	PF04PP-D05
16	Housing Wire Assy	PF04PP-D20
17	Housing Wire Assy	PF04PP4D05
18	Housing Wire Assy	PF05FF-D25
NSP 19	Panel Stay	DND1254
20	CRF Stay	DNF1726
21	MIC Stay	DNF1727
22	Fader Packing	DEC2903
23	SW Packing	DEC2929
24	Barrier (FL)	DEC2943
25	SW Packing	DED1177
NSP 26	PC Support	VEC1508
27	Rotary SW Knob (A)	DAA1175
28	Rotary SW Knob (B)	DAA1176
29	Rotary SW Knob S (A)	DAA1177
30	Rotary SW Knob S (B)	DAA1178
31	Select Knob	DAA1205
32	Rotary SW Knob (C)	DAA1180
33	Rotary SW Knob (HM)	DAA1197
34	Rotary SW Knob (MA)	DAA1198
35	CUE Knob	DAC2215
36	Slide SW Cap (A)	DAC2219
37	SET Knob (TAP)	DAC2300
38	SET Knob (FS)	DAC2301
39	SET Knob (HM)	DAC2302
40	EFFECT Knob	DAC2304
41	MIC Cap	DAC2309
42	Slide SW Cap	DAC2310
43	Slider Knob (L2)	DAC2371
44	CHF Panel	DAH2426
45	CRF Panel	DAH2427
46	Disply Panel	DAH2428
47	Control Panel	DNB1144
48	LENS	DNK4532
49	LENS Holder	DNK4533

<u>Mark No.</u>	<u>Description</u>	<u>Part No.</u>
50	LEVEL Meter Assy	DXB1882
51	Screw	AMZ26P040FTC
52	Screw	BBZ30P060FTB
53	Screw	BPZ30P120FTB
54	Screw	CCZ30P060FTB
55	Screw	DBA1262
56	Screw	DBA1298
57	Flange Nut M9	DBN1008
58	Nut	NKX2FTC

A
B
C
D
E
F

5. PCB PARTS LIST

NOTES: ● Parts marked by "NSP" are generally unavailable because they are not in our Master Spare Parts List.

● The Δ mark found on some component parts indicates the importance of the safety factor of the part. Therefore, when replacing, be sure to use parts of identical designation.

● When ordering resistors, first convert resistance values into code form as shown in the following examples.

Ex.1 When there are 2 effective digits (any digit apart from 0), such as 560 ohm and 47k ohm (tolerance is shown by J=5%, and K=10%).

560 Ω \rightarrow 56 x 10¹ \rightarrow 561 RD1/4PU 5 6 7 J
 47k Ω \rightarrow 47 x 10³ \rightarrow 473 RD1/4PU 4 7 3 J
 0.5 Ω \rightarrow R50 RN2H R 5 0 K
 1 Ω \rightarrow 1R0 RS1P 7 R 0 K

Ex.2 When there are 3 effective digits (such as in high precision metal film resistors).

5.62k Ω \rightarrow 562 x 10¹ \rightarrow 5621 RN1/4PC 5 6 2 1 F

MarkNo. Description Part No.

LIST OF ASSEMBLIES

NSP 1..INFD ASSY DWM2239
 2..INPUT ASSY DWX2535
 2..MIC 1 ASSY DWX2542
 2..MIC 2 ASSY DWX2543
 2..SLSW ASSY DWX2536
 2..CHFD 1 ASSY DWX2537
 2..CHFD 2 ASSY DWX2538
 2..CHFD 3 ASSY DWX2539
 2..CHFD 4 ASSY DWX2540
 2..CRSFD ASSY DWX2541

NSP 1..OUDIG ASSY DWM2240
 2..OUTPUT ASSY DWX2544
 2..AC SW ASSY DWX2545
 2..DIGIB ASSY DWX2546
 2..DIGIC ASSY DWX2547
 2..TRIM 1 ASSY DWX2548
 2..TRIM 2 ASSY DWX2549
 2..TRIM 3 ASSY DWX2550
 2..TRIM 4 ASSY DWX2551

NSP 1....PANEL-A ASSY DWM2241
 2..PANEL 1 ASSY DWX2552
 2..HPJACK ASSY DWX2553

NSP 1....PANEL-B ASSY DWM2242
 2..PANEL 2 ASSY DWX2554
 2..DIGI A ASSY DWX2555

1..DSP ASSY DWX2534

1..HPAMP ASSY DWX2556

Δ 1..POWER SUPPLY UNIT DWR1433

Mark No. Description Part No.

IC451-IC456, IC806, IC807 TC7SH08FUS1
 IC408, IC508, IC608, IC708 TC7WH157FU
 Q801-Q808 2SC3326
 Q504-Q507, Q604-Q607 2SK371D1
 Q704-Q707 2SK371D1

Q401, Q501, Q601, Q701 DTC124EUA
 D410, D411, D510, D511 1SS355
 D610, D611, D710, D711 1SS355
 D401-D404, D501-D504 RB706D-40
 D601-D604, D701-D704 RB706D-40

D409, D509, D609, D709 UDZS5R6(B)

COILS AND FILTERS

L803 LCKAW221J2520
 F489-F492, F589-F592 VTF1093
 F689-F692, F789-F792 VTF1093

SWITCHES AND RELAYS

RY401, RY501, RY601, RY701 VSR1008

CAPACITORS

C403-C406, C421-C424, C435 CCSRCH101J50
 C440, C444, C445, C449, C450 CCSRCH101J50
 C521-C524, C535, C540 CCSRCH101J50
 C544, C545, C549, C550 CCSRCH101J50
 C621-C624, C635, C640 CCSRCH101J50

C644, C645, C649, C650 CCSRCH101J50
 C721-C724, C735, C740 CCSRCH101J50
 C744, C745, C749, C750 CCSRCH101J50
 C571, C572, C671, C672 CCSRCH181J50
 C771, C772 CCSRCH181J50

C503, C504, C603, C604 CCSRCH221J50
 C703, C704 CCSRCH221J50
 C509, C510, C609, C610 CCSRCH331J50
 C709, C710 CCSRCH331J50
 C573, C574, C673, C674 CCSRCH471J50

C773, C774 CCSRCH471J50
 C465, C565, C665, C765 CEHAR100M16
 C419, C420, C429, C430, C464 CEHAR100M35
 C488-C490, C497, C519, C520 CEHAR100M35
 C529, C530, C564, C566, C567 CEHAR100M35

C588, C589, C619, C620 CEHAR100M35
 C629, C630, C664, C666, C667 CEHAR100M35
 C688, C689, C699, C719, C720 CEHAR100M35
 C729, C730, C764, C766, C767 CEHAR100M35
 C788, C789, C809-C812 CEHAR100M35

C817-C820, C823, C826, C836 CEHAR100M35

Mark No. Description Part No.

A INPUT ASSY SEMICONDUCTORS

IC409, IC509, IC609, IC709 CS5361-KS
 Δ IC809, IC810 DEK1096
 IC405, IC505, IC605, IC705 LM4040EIM3-2.5
 IC501, IC601, IC701 NE5532AD
 IC401-IC404, IC406, IC502-IC504 NJM4580MD

IC506, IC602-IC604, IC606 NJM4580MD
 IC702-IC704, IC706, IC801, IC802 NJM4580MD
 IC804 NJM4580MD
 IC803 PCM1742KE
 IC805 TA78L12F

5	6	7	8
Mark No.	Description	Part No.	Part No.
C838 C462, C562, C662, C762 C507, C508, C607, C608 C707, C708	CEHAR100M35 CEHAR101M10 CEHAT471M25 CEHAT471M25	R549, R564, R567, R646, R649 R664, R667, R746, R749, R764 R767	RN1/16SE1201D RN1/16SE1201D RN1/16SE1201D
C829, C841 C866, C867, C870, C871 C843 C463, C563, C663, C763 C830, C833	CEJQ100M25 CEJQ101M25 CEJQ221M10 CEJQ221M6R3 CEJQ470M10	R407, R408, R423, R424 R523, R524, R623, R624 R723, R724 R430, R434, R530, R534, R630 R634, R730, R734	RN1/16SE1502D RN1/16SE1502D RN1/16SE1502D RN1/16SE1503D RN1/16SE1503D
C853, C861, C865 C432-C434, C437-C439 C532-C534, C537-C539 C632-C634, C637-C639 C732-C734, C737-C739	CEJQ470M25 CFTNA334J50 CFTNA334J50 CFTNA334J50 CFTNA334J50	R428, R432, R528, R532, R628 R632, R728, R732 R441, R443, R459, R461, R541 R543, R559, R561, R641, R643 R659, R661, R741, R743, R759	RN1/16SE2202D RN1/16SE2202D RN1/16SE2401D RN1/16SE2401D RN1/16SE2401D
C402, C446, C451, C453-C455 C459, C502, C546, C551 C553-C555, C559, C602, C646 C651, C653-C655, C659, C702 C746, C751, C753-C755, C759	CKSRYB103K50 CKSRYB103K50 CKSRYB103K50 CKSRYB103K50 CKSRYB103K50	R761 R801-R804, R817-R820 R436-R439, R444, R445 R454-R457, R462, R463 R474, R475, R536-R539	RN1/16SE2401D RN1/16SE2700D RN1/16SE3301D RN1/16SE3301D RN1/16SE3301D
C831, C832, C842 C868, C869, C876 C401, C417, C418, C427, C428 C436, C441-C443, C447, C448 C458, C468, C469, C491-C496	CKSRYB103K50 CKSRYB104K16 CKSRYB104K25 CKSRYB104K25 CKSRYB104K25	R544, R545, R554-R557 R562, R563, R596, R597 R636-R639, R644, R645 R654-R657, R662, R663 R674, R675, R696, R697	RN1/16SE3301D RN1/16SE3301D RN1/16SE3301D RN1/16SE3301D RN1/16SE3301D
C501, C517, C518, C527, C528 C536, C541-C543, C547, C548 C558, C568, C569, C600 C617, C618, C627, C628, C636 C641-C643, C647, C648, C658	CKSRYB104K25 CKSRYB104K25 CKSRYB104K25 CKSRYB104K25 CKSRYB104K25	R736-R739, R744, R745 R754-R757, R762, R763 R774, R775, R796, R797 R447, R448, R465, R466 R547, R548, R565, R566	RN1/16SE3301D RN1/16SE3301D RN1/16SE3301D RN1/16SE3601D RN1/16SE3601D
C668, C669, C701, C717, C718 C727, C728, C736, C741-C743 C747, C748, C758, C768, C769 C821, C825, C834, C837 C844, C845, C852, C860	CKSRYB104K25 CKSRYB104K25 CKSRYB104K25 CKSRYB104K25 CKSRYB104K25	R647, R648, R665, R666 R747, R748, R765, R766 R809-R812 R503-R506, R603-R606 R703-R706	RN1/16SE3601D RN1/16SE3601D RN1/16SE4300D RN1/16SE8200D RN1/16SE8200D
C862-C864, C872, C873 C877, C878 C457, C557, C657, C757 C470, C475, C570, C575, C670 C675, C770, C775	CKSRYB104K25 CKSRYB104K25 CKSRYB104K50 CKSRYB272K50 CKSRYB272K50	R429, R433, R529, R533, R629 R633, R729, R733 R898 R511, R512, R611, R612 R711, R712	RN1/16SE1202D RN1/16SE1202D RS1/8S0ROJ RSK1/16S222J RSK1/16S222J
C452, C552, C652, C752 C511, C512, C611, C612 C711, C712 C514, C515, C614, C615 C714, C715, C801-C804	CKSRYB473K50 CQMA124J50 CQMA124J50 CQMA222J50 CQMA222J50	R509, R510, R609, R610 R709, R710 R507, R508, R607, R608 R707, R708 Other Resistors	RSK1/16S273J RSK1/16S273J RSK1/16S510J RSK1/16S510J RS1/16S###J
C505, C506, C605, C606 C705, C706 C828, C840 C513, C516, C613, C616, C713 C716	CQMA223J50 CQMA223J50 CQMA272J50 CQMA333J50 CQMA333J50	OTHERS	
C805-C808, C827, C839 C813-C816	CQMA392J50 CQMA682J50	CN454 7P FFC CONNECTOR CN453 12P FFC CONNECTOR CN451 12P FFC CONNECTOR CN452 31P FFC CONNECTOR SHIELD CASE S JA402 REMOTE CONTROL JACK JA502 REMOTE CONTROL JACK JA602 REMOTE CONTROL JACK JA702 REMOTE CONTROL JACK CN455 6P SIDE POST	52044-0745 52044-1245 DKN1450 DKN1451 DNH2717 RKN1004 RKN1004 RKN1004 RKN1004 S6B-EH
RESISTORS R401, R402, R419, R420 R519, R520, R619, R620 R719, R720 R403, R404, R421, R422 R521, R522, R621, R622	RN1/16SE1001D RN1/16SE1001D RN1/16SE1001D RN1/16SE1102D RN1/16SE1102D	JA401, JA501, JA601, JA701, JA801 4P JACK KN1, KN2 WRAPPING TERMINAL CN401, CN501, CN601, CN701 11P PLUG	VKB1132 VNF1084 XKP3065
R721, R722 R446, R449, R464, R467, R546	RN1/16SE1102D RN1/16SE1201D		

Mark No. Description**Part No.****Mark No. Description****Part No.****B MIC1 ASSY****SEMICONDUCTORS**

IC1501	AK5381VT
IC1502, IC1503	NJM4580MD
Q1501-Q1504	2SC4081
D1510-D1515	1SS355
D1518-D1521	RB501V-40

COILS AND FILTERS

F1547-F1549	DTF1069
F1541, F1543, F1545	VTF1093
L1542, L1544, L1546	VTL1105

CAPACITORS

C1505, C1516, C1518, C1525	CCSRCH101J50
C1501-C1503, C1509-C1514, C1524	CCSRCH102J50
C1504, C1517	CCSRCH331J50
C1508, C1521, C1532, C1534, C1535	CEAL100M16
C1537	CEAL100M16

C1538	CEAL101M10
C1543, C1544	CEAL101M25
C1540	CEAL470M10
C1539, C1541, C1542	CEAL470M16
C1530, C1531	CEALNP220M16

C1550, C1552	CFTLA103J50
C1529	CKSRYB103K50
C1506, C1507, C1519, C1520	CKSRYB104K25
C1546-C1549, C1551	CKSRYB104K25
C1526-C1528	CKSRYB104K50

C1545	CKSRYB472K50
-------	--------------

RESISTORS

R1503, R1514, R1515, R1529	RN1/16SE1000D
R1504, R1505, R1519, R1520	RN1/16SE1501D
R1508, R1523	RN1/16SE3300D
R1506, R1509, R1510, R1521	RN1/16SE3901D
R1524, R1525	RN1/16SE3901D

R1516, R1517, R1530, R1531	RN1/16SE4701D
Other Resistors	RS1/16S###J

OTHERS

0 4P CABLE HOLDER	51048-0400
JA1502 CANON CONNECTOR	DKB1068
CN1503 CONNECTOR	DKN1408
CN1502 12P FFC CONNECTOR	DKN1450
J1502 4P JUMPER WIRE	DKP3767

CN1501 5P SIDE POST	S5B-EH
---------------------	--------

C PANEL1 ASSY
SEMICONDUCTORS

IC1706-IC1708	TC74HC238AF
IC1711-IC1713	TC74HC273AF
IC1701-IC1705	TC74HC4051AF
IC1714	TC74HCT08AF
IC1709, IC1710	TD62083APG

Q1705-Q1708, Q1721-Q1724	2SB1188
Q1701-Q1704, Q1709-Q1720	DTC143EUA

D1701-D1710, D1796-D1829	1SS355
D1735, D1788-D1795	SLI-343URCW(RST)
D1723-D1734, D1772-D1787	SLI-343YCW(RST)

D1719-D1722	SLR-343BBT(HJKL)
D1711-D1714	SPR-325MWW
D1736-D1771	TLGE68TG(NP)

SWITCHES AND RELAYS

S1707-S1718	DSG1079
S1702	DSH1057
S1719-S1722	DSH1058
S1701	DSK1026
S1703-S1706	DSK1033

CAPACITORS

C1741-C1743	CEHAT101M16
C1737, C1739, C1740	CKSRYB103K50
C1701-C1736, C1747-C1755	CKSRYB104K25

RESISTORS

VR1703-VR1707, VR1709-VR1711	DCS1065
VR1713-VR1715, VR1717-VR1719, VR1721	DCS1065
VR1701, VR1702	DCS1072
VR1722	DCS1086
VR1708, VR1712, VR1716, VR1720	DCS1095

Other Resistors	RS1/16S###J
-----------------	-------------

OTHERS

CN1710 FFC BOTTOM CONNECTOR 27P	52492-2720
CN1711 FFC CONNECTOR 30P	52492-3020
CN1709 KR CONNECTOR 3P	B3B-PH-K
CN1705, CN1707 KR CONNECTOR	B4B-PH-K
CN1706, CN1708 KR CONNECTOR	B4B-PH-K-Y

CN1701 10P FFC CONNECTOR	DKN1454
CN1702 30P FFC CONNECTOR	DKN1455
CN1703 25P FFC CONNECTOR	DKN1456
CN1704 CONNECTOR	DKP3684

D 4/4 TRIM1 ASSY
CAPACITORS

C491	CKSRYB104K50
------	--------------

RESISTORS

VR491	DCS1089
-------	---------

OTHERS

CN491 11P SOCKET	XKP3076
------------------	---------

D 3/4 TRIM2 ASSY
CAPACITORS

C591	CKSRYB104K50
------	--------------

RESISTORS

VR591	DCS1089
-------	---------

5	6
Mark No. Description	Part No.
OTHERS CN591 11P SOCKET	XKP3076
D 2/4 TRIM3 ASSY CAPACITORS C691	CKSRYB104K50
RESISTORS VR691	DCS1089
OTHERS CN691 11P SOCKET	XKP3076
D 1/4 TRIM4 ASSY CAPACITORS C791	CKSRYB104K50
RESISTORS VR791	DCS1089
OTHERS CN791 11P SOCKET	XKP3076
E MIC2 ASSY SEMICONDUCTORS D1	UDZS5R6(B)
CAPACITORS C2 C1	CKSRYB103K50 CKSRYB472K50
OTHERS 0 4P CABLE HOLDER JA1501 MIC JACK EARTH PLATE (MIC)	51048-0400 DKB1076 DNH2735
F PANEL2 ASSY SEMICONDUCTORS IC2102 IC2101 Q2105-Q2108 Q2101-Q2104 D2141-D2163 D2115, D2116, D2130, D2131 D2111-D2114, D2126-D2129 D2133-D2138 D2132, D2139 D2102-D2110, D2117-D2125 D2101	NJM2903M TC74HC4051AF 2SB1188 DTC143EUA 1SS355 SLI-343URCW(RST) SLI-343YCW(RST) SLI-343YCW(RST) SLR-343EBT(KLMN) TLGE68TG(NP) UDZS2R0(B)
SWITCHES AND RELAYS S2101-S2104, S2106-S2109	DSG1079

7	8
Mark No. Description	Part No.
S2113, S2114 S2105 S2110 S2111, S2112	DSH1058 DSH1066 DSX1064 DSX1068
CAPACITORS C2112, C2113, C2115, C2116 C2114 C2104, C2123, C2124, C2127, C2128 C2132 C2101-C2103, C2105-C2107 C2117, C2118, C2125, C2126 C2129-C2131	CEHAT101M10 CEHAT470M50 CKSRYB103K50 CKSRYB103K50 CKSRYB104K25 CKSRYB104K25 CKSRYB104K25
RESISTORS R2108, R2109 VR2101, VR2104 VR2102, VR2103 Other Resistors	RS1/8S100J DCS1065 DCS1086 RS1/16S###J
OTHERS CN2101 FFC BOTTOM CONNECTOR CN2102 FFC CONNECTOR 30P V2101 FL INDICATOR TUBE 0 FL HOLDER	52492-2720 52492-3020 DEL1061 DNF1732
G 1/4 CHFD1 ASSY RESISTORS VR206	DCV1020
OTHERS CN2601 KR CONNECTOR	S4B-PH-K
G 2/4 CHFD2 ASSY RESISTORS VR205	DCV1020
OTHERS CN2602 KR CONNECTOR	S4B-PH-K-Y
G 3/4 CHFD3 ASSY RESISTORS VR203	DCV1020
OTHERS CN2603 KR CONNECTOR	S4B-PH-K
G 4/4 CHFD4 ASSY RESISTORS VR204	DCV1020
OTHERS CN2604 KR CONNECTOR	S4B-PH-K-Y
H CRSFD ASSY RESISTORS VR202	DCV1006

Mark No. Description**Part No.****Mark No. Description****Part No.****OTHERS**

CN2608 KR CONNECTOR

S3B-PH-K

C150-C152, C158-C161
C165-C168, C19, C220
C186-C189, C190, C191, C252
C100-C102, C107, C113, C114
C197-C199, C203, C247CKSRYB103K50
CKSRYB103K50
CKSRYB103K50
CKSRYB104K16
CKSRYB104K16C85-C99
C11, C121-C126, C128-C134
C148, C149, C15, C154-C157
C16, C17, C175-C178, C18
C180, C181, C183, C192, C193CKSRYB104K16
CKSRYB104K25
CKSRYB104K25
CKSRYB104K25
CKSRYB104K25C195, C20, C200, C201
C204-C209, C21, C210-C218
C22, C221, C23, C234-C239
C24, C240-C246, C26-C29
C3, C30-C39, C4CKSRYB104K25
CKSRYB104K25
CKSRYB104K25
CKSRYB104K25
CKSRYB104K25C40-C49, C5, C50-C79
C8, C80-C83
C108
C109
C169-C173CKSRYB104K25
CKSRYB104K25
CKSRYB105K10
CKSRYB332K50
CKSRYB471K50

C104, C105, C110

CKSYB106K10

RESISTORSR186
R64
R70
R69
R65RS1/10S0R0J
RS1/16S1502F
RS1/16S2202F
RS1/16S5603F
RS1/16S7502FR254, R255
R271, R365-R368
Other ResistorsRS1/4SA681J
RS1/8S0R0J
RS1/16S####J**OTHERS**CN14 PH CONNECTOR 6P(SMT)
X1 CRYSTAL RESONATOR
CN8
CN15, CN4 10P FFC CONNECTOR
CN11, CN3 12P FFC CONNECTORAKM1292
ASS7025
DKN1449
VKN1414
VKN1416CN12 16P FFC CONNECTOR
CN6, CN7 25P FFC CONNECTOR
CN5 30P FFC CONNECTOR
CN1, CN2 31P FFC CONNECTOR
KN1-KN4 EARTH METAL FITTINGVKN1420
VKN1429
VKN1434
VKN1435
VNF1109**J OUTPUT ASSY
SEMICONDUCTORS**IC904
IC918
⚠ IC1167-IC1169
IC908, IC909
IC905-IC907, IC911, IC912AK4393VF
AK5381VT
DEK1096
NJM2114D
NJM4580MDIC916, IC917
IC913, IC914
IC910, IC915
IC901-IC903
Q901, Q902NJM4580MD
NJM5532DD
PCM1742KE
TC7SH08FUS1
2SA1576AQ903, Q922, Q923
Q906-Q921
Q924
Q904, Q9052SC2412K
2SC3326
DTA143EUA
DTC124EUA**DSP ASSY****SEMICONDUCTORS**

IC22

D610A003BPYP225

⚠ IC40

DEK1086

⚠ IC41

DEK1094

⚠ IC42, IC44, IC48

DEK1096

⚠ IC43

DEK1098

IC12

DYW1754

IC11

K4S641632H-TC75

IC16

NJM2374AM

IC1

DYW1757

IC14

R1224N102H

IC15

S-1200B25-M5

IC8

TC74HC32AF

IC39

TC74HC4051AF

IC24

TC74HC541AF

IC2, IC3

TC74VHC163FT

IC6, IC7

TC74VHC541FTS1

IC4, IC5

TC74VHCU04FT

IC25, IC45-IC47

TC7S08FU

IC30, IC31

TC7SH08FUS1

IC13

XC3S50-4TQG144C

IC0

MBM29LV400TC-70PFTN

Q2

2SA1576A

Q16, Q3

2SC2412K

Q4

2SC4081

Q1

CPH6314

Q13

DTA143EUA

Q14

DTC114EUA

Q10-Q12, Q15, Q5-Q9

DTC124EUA

D1, D19-D34, D36

1SS355

D2, D3

RB160L-40

D5

SML-310DT

COILS AND FILTERS

L1

ATH7011

L2

CTH1254

L3

DTL1123

L4

RTF1189

L5

CTF1346

L10, L6- L9

CTF1357

F7, F9

VTF1093

CAPACITORS

C2

CCSRCH150J50

C1

CCSRCH180J50

C117

CCSRCH331J50

C248, C249

CEVW100M16

C118, C153, C174, C179, C182

CEVW100M50

C194, C202, C7, C84, C9

CEVW100M50

C103, C106, C111, C112

CEVW101M10

C115, C116, C135-C144, C196

CEVW101M10

C14

CEVW101M16

C10, C12, C120, C127, C13

CKSRYB103K50

Mark No.	Description	Part No.
D901–D912, D918, D919		1SS355
D914–D917		RB501V-40

COILS AND FILTERS

F101–F104	VTF1093
-----------	---------

SWITCHES AND RELAYS

S902	DSG1083
S901	VSH1025
RY901, RY902	VSR1008

CAPACITORS

C1033, C1035	CCSRCH101J50
C1036, C1056	CCSRCH102J50
C974, C976, C978, C979, C991	CCSRCH151J50
C993, C994, C997	CCSRCH151J50
C934, C936, C938, C939	CCSRCH220J50

C917, C918, C921, C924, C925	CCSRCH221J50
C927, C930, C958	CCSRCH221J50
C940, C942–C944, C946, C947	CCSRCH820J50
C949, C950	CCSRCH820J50
C1015, C1022, C1034, C1037	CEANP100M16

C1008, C1028, C1040, C1043	CEANP100M25
C1013, C1024	CEAT100M50
C913	CEAT101M16
C1012, C1026, C1046, C1051, C1052	CEAT101M25
C1073-C1076, C969, C988	CEAT101M25

C1004, C1007, C1049	CEAT470M10
C1029, C1044, C1061	CEAT471M10
C964, C965, C970, C990	CEHANP220M16
C954	CEHANP220M25
C975, C980, C992, C996	CEHANP470M25

C1019, C904	CEHAT100M50
C1069–C1072	CEHAT101M25
C912	CEHAT221M10
C1057, C961	CEHAT470M16
C963	CEHAT471M16

C1005, C1006, C1050, C1062, C901	CKSRYB103K50
C1003, C1038, C1039, C1060, C903	CKSRYB104K25
C906, C908, C910, C914, C915	CKSRYB104K25
C919, C923, C928, C933	CKSRYB104K25
C972, C973	CKSRYB104K25

C1011, C1025, C1030, C1045	CKSRYB104K50
C1047, C1048, C1053, C1054, C935	CKSRYB104K50
C937, C941, C945, C948, C951	CKSRYB104K50
C959, C960, C962, C968, C977	CKSRYB104K50
C981, C989, C995, C998	CKSRYB104K50

C1017, C1020	CKSRYB222K50
C1016, C1021	CKSRYB392K50
C1077–C1080	CKSRYB473K50
C1014, C1023	CKSRYB682K50
C916, C926, C931, C957	CKSRYB821K50

C1001, C1002, C952, C953	CQMA103J50
C955, C956, C984, C985	CQMA103J50
C1058, C966	CQMA272J50
C1009, C1055, C967, C987	CQMA392J50
C1010, C1027	CQMA472J50

C1000, C982, C983, C999	CQMA682J50
-------------------------	------------

Mark No.	Description	Part No.
C920, C922, C929, C932		DCH1255

RESISTORS

R1058, R1059, R1087, R1088	RD1/2VM101J
R979, R986, R993, R998	RD1/2VM181J
R1053, R1057, R1082, R1143	RN1/16SC68R0D
R1040, R1041, R1046, R1047, R1070	RN1/16SE1002D
R1072, R1078, R1079, R976, R983	RN1/16SE1002D

R992, R997	RN1/16SE1002D
R981, R988, R995, R999	RN1/16SE1101D
R919, R923, R928, R932, R935	RN1/16SE1102D
R938, R944, R948	RN1/16SE1102D
R1109, R1110	RN1/16SE2200D

R1038, R1042, R1043, R1045, R1048	RN1/16SE2202D
R1068, R1071, R1073, R1075, R1077	RN1/16SE2202D
R1044, R1049, R1074, R1076, R1104	RN1/16SE2700D
R1114	RN1/16SE2700D
R1107, R1112	RN1/16SE3300D

R1039, R1069, R1125, R1127	RN1/16SE3602D
R1002, R1003, R977, R978	RN1/16SE3901D
R984, R985, R990, R991	RN1/16SE3901D
R1000, R982, R989, R996	RN1/16SE4701D
R1021, R1022, R918, R920–R922	RN1/16SE5601D

R927, R929, R934, R936, R937	RN1/16SE5601D
R939, R943, R945–R947	RN1/16SE5601D
R1001, R980, R987, R994	RN1/16SE9101D
Other Resistors	RS1/16S###J

OTHERS

CN902 7P FFC CONNECTOR	52045-0745
CN903 5P TOP POST	B5B-EH-Y
CN904 6P TOP POST	B6B-EH
JA901, JA902 CANON CONNECTOR	DKB1077
JA907 HEADPHONE JACK	DKB1078

JA903, JA904 HEADPHONE JACK	DKN1249
JA905, JA906 HEADPHONE JACK	DKN1452
JA908 HEADPHONE JACK	DKN1452
ROTARY SW STAY	DNH2646
CN901 25P FFC CONNECTOR	VKN1429

KN901, KN902 WRAPPING TERMINAL	VNF1084
--------------------------------	---------

K DIGIC ASSY SEMICONDUCTORS

IC1203, IC1209, IC1215, IC1218	AD1895AYRS
IC1202, IC1208, IC1214, IC1217	AK4117VF
IC1219	TC7S04FU
IC1221, IC1223, IC1225	TC7SH08FUS1
IC1201, IC1207, IC1213, IC1216	TC7WU04FU

Q1201	DTC124EUA
D1206, D1207	1SS355
D1205	NNCD6.2MF

SWITCHES AND RELAYS

S1201	VSH1025
-------	---------

CAPACITORS

C1204, C1222, C1240, C1255	CCSRCH220J50
----------------------------	--------------

Mark No. Description**Part No.**

C1202, C1220, C1238, C1253
C1206, C1224, C1242, C1257
C1210, C1211, C1216, C1218
C1228, C1229, C1234, C1236

CCSRCH221J50
CCSRCH470J50
CEJQ100M50
CEJQ100M50

C1246, C1247, C1249, C1251
C1261, C1262, C1264, C1266
C1269, C1270
C1203, C1221, C1239, C1254, C1267
C1271-C1278

CEJQ100M50
CEJQ100M50
CEJQ100M50
CKSRYB103K50
CKSRYB103K50

C1205, C1208, C1209, C1215, C1217
C1223, C1226, C1227, C1233, C1235
C1241, C1244, C1245, C1248, C1250
C1256, C1259, C1260, C1263, C1265
C1268, C1282, C1286, C1290-C1294

CKSRYB104K25
CKSRYB104K25
CKSRYB104K25
CKSRYB104K25
CKSRYB104K25

C1213
C1201, C1219, C1237, C1252

CKSRYB104K50
CQMA221J50

RESISTORS

R1239, R1240
R1204, R1213, R1222, R1231
R1263-R1265
Other Resistors

RD1/2VM221J
RD1/2VM820J
RS1/10S0R0J
RS1/16S###J

OTHERS

CN1204 6P FFC CONNECTOR 52044-0645
CN1201 7P FFC CONNECTOR 52045-0745
CN1203 12P FFC CONNECTOR 52045-1245
CN1202 24P FFC CONNECTOR 52045-2445
JA1201 DIN CONNECTOR 5P DKN1188

CN1205 31P FFC CONNECTOR DKN1451
SHIELD CASE (MIDI) DNH2736
KN1203 SCREW PLATE VNE1948
KN1201 WRAPPING TERMINAL VNF1084
KN1202 WRAPPING TERMINAL VNF1084

L DIGIA ASSY**OTHERS**

CN1401 FFC BOTTOM CONNECTOR 7P 52492-0720
JA1401, JA1402 2P PIN JACK DKB1079

**M DIGIB ASSY
SEMICONDUCTORS**

IC1307 AD1895AYRS
IC1308 AK4114VQ
IC1303 TC74HCU04AF
IC1312 TC7SET08FUS1
IC1309-IC1311, IC1313 TC7SH08FUS1

COILS AND FILTERS

F1301-F1304 DTF1069
L1304 PTL1003
F1305, F1306 VTF1091

CAPACITORS

C1330, C1332, C1334, C1347 CEAT100M50
C1314 CEAT101M16
C1318 CEAT470M16
C1311, C1312 CKSRYB103K50

Mark No. Description**Part No.**

C1313, C1329, C1331, C1333, C1335 CKSRYB104K25

C1340, C1342, C1344-C1346, C1348 CKSRYB104K25
C1350 CKSRYB104K25
C1304 CKSRYB474K10

RESISTORS

R1301 RN1/16SE1802D
Other Resistors RS1/16S###J

OTHERS

CN1301 24P FFC CONNECTOR 52045-2445
CN1302 10P FF CONNECTOR DKN1454
JA1303 1P JACK BOARD PKB1033
KN1301 WRAPPING TERMINAL VNF1084
KN1302 WRAPPING TERMINAL VNF1084

**N SLSW ASSY
SWITCHES AND RELAYS**

S2401-S2404 VSH1025

CAPACITORS

C2401-C2404 CKSRYB103K50

RESISTORS

Other Resistors RS1/16S###J

OTHERS

CN2401 6P FFC CONNECTOR 52044-0645

**O HPAMP ASSY
SEMICONDUCTORS**

⚠ IC2505, IC2506 DEK1086
⚠ IC2504 DEK1094
IC2503 NJM2068M
IC2502 NJM4558MD
IC2501 PCM1742KE

IC2507 TA78L12F
Q2503, Q2504 2SB1238X
Q2509 2SC2412K
Q2505, Q2507 2SD1859X
D2501-D2504, D2506-D2512 1SS355

D2513 UDZS3R3(B)

SWITCHES AND RELAYS

RY2501 VSR1008

CAPACITORS

C2510, C2515 CCSRCH220J50
C2540, C2541 CCSRCH471J50
C2501, C2514 CCSRCH820J50
C2519-C2522, C2526, C2534, C2535 CEAT100M50
C2531, C2533, C2536, C2537 CEAT101M25

C2524, C2528, C2542 CEAT221M25
C2518, C2523 CEAT2R2M50