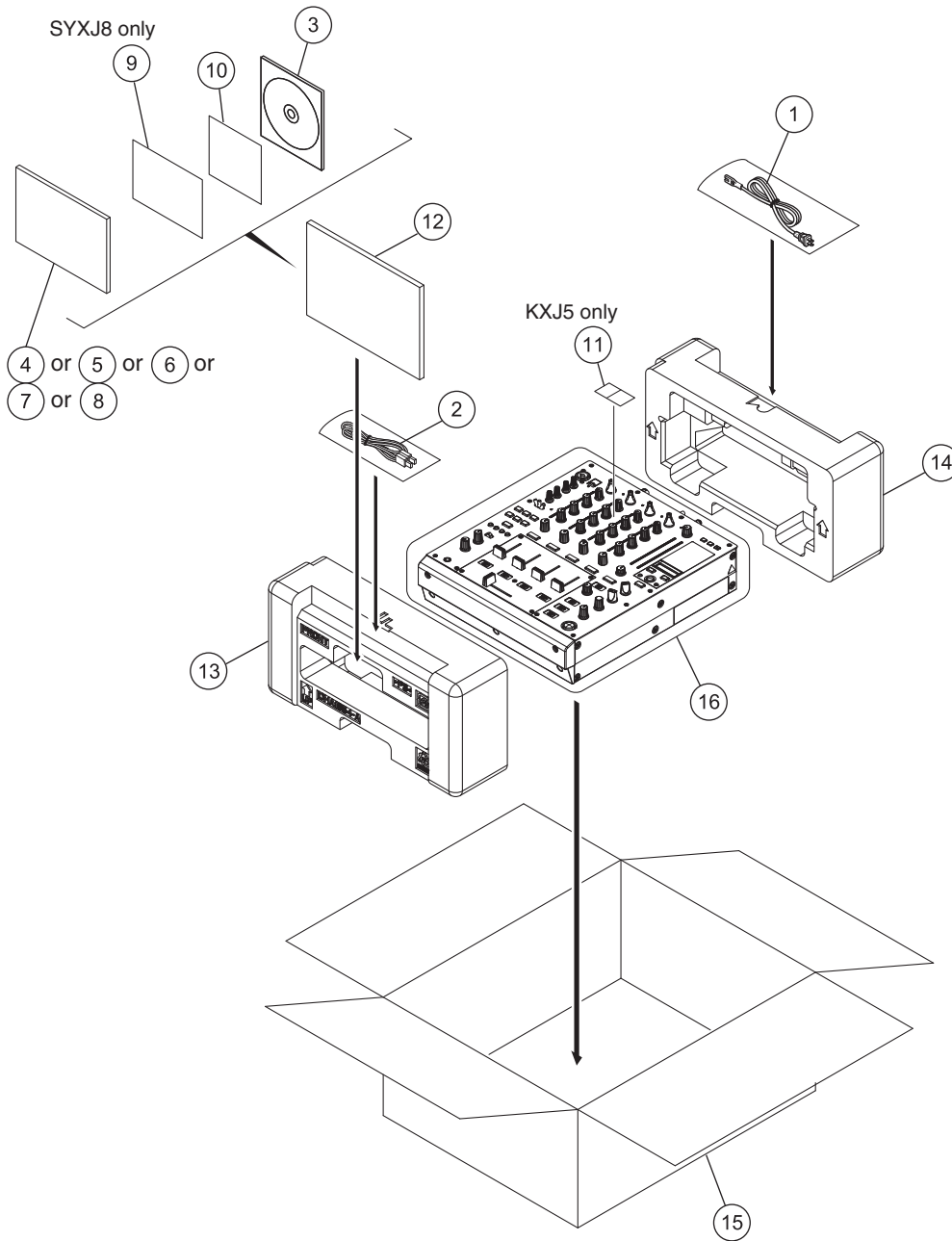


9. EXPLODED VIEWS AND PARTS LIST

- NOTES:
- Parts marked by "NSP" are generally unavailable because they are not in our Master Spare Parts List.
 - The \triangle mark found on some component parts indicates the importance of the safety factor of the part. Therefore, when replacing, be sure to use parts of identical design.
 - Screws adjacent to ∇ mark on product are used for disassembly.
 - For the applying amount of lubricants or glue, follow the instructions in this manual. (In the case of no amount instructions, apply as you think it appropriate.)

9.1 PACKING SECTION



(1) PACKING SECTION PARTS LIST

<u>Mark No.</u>	<u>Description</u>	<u>Part No.</u>
⚠	1 Power Cord	See Contrast table (2)
	2 USB Cable	DDE1128
	3 CD-ROM	DXX2619
	4 Operating Instructions	See Contrast table (2)
	5 Operating Instructions	See Contrast table (2)
	6 Operating Instructions	See Contrast table (2)
	7 Operating Instructions	See Contrast table (2)
	8 Operating Instructions	See Contrast table (2)
NSP	9 Warranty Card (WY)	See Contrast table (2)
NSP	10 Flier	See Contrast table (2)
NSP	11 Recycle Label (M)	See Contrast table (2)
NSP	12 Polyethylene Bag	AHG7117
	13 Pad A	DHA1854
	14 Pad B	DHA1855
	15 Packing Case	See Contrast table (2)
	16 Packing Sheet	RHC1023

(2) CONTRAST TABLE

DJM-900NXS/SYXJ8, UXJCB, LXJ, KXJ5 and XJCN5 are constructed the same except for the following:

Mark	No.	Symbol and Description	DJM-900NXS /SYXJ8	DJM-900NXS /UXJCB	DJM-900NXS /LXJ	DJM-900NXS /KXJ5	DJM-900NXS /XJCN5
⚠	1	Power Cord	ADG7062	DDG1108	ADG7062	XDG3066	ADG7105
	4	Operating Instructions (En, Fr, De, It, Ni, Es, Ru)	DRB1533	Not used	Not used	Not used	Not used
	5	Operating Instructions (En)	Not used	DRB1542	Not used	Not used	Not used
	6	Operating Instructions (En, Es, Zhtw)	Not used	Not used	DRB1543	Not used	Not used
	7	Operating Instructions (Ko)	Not used	Not used	Not used	DRB1545	Not used
	8	Operating Instructions (En, Zhcn)	Not used	Not used	Not used	Not used	DRB1544
NSP	9	Warranty Card (WY)	ARY7107	Not used	Not used	Not used	Not used
NSP	10	Flier	DRH1108	DRH1109	DRH1109	DRH1107	DRH1107
NSP	11	Recycle Label (M)	Not used	Not used	Not used	DRW2307	Not used
	15	Packing Case	DHG2937	DHG2977	DHG2978	DHG2981	DHG2980

9.2 EXTERIOR SECTION

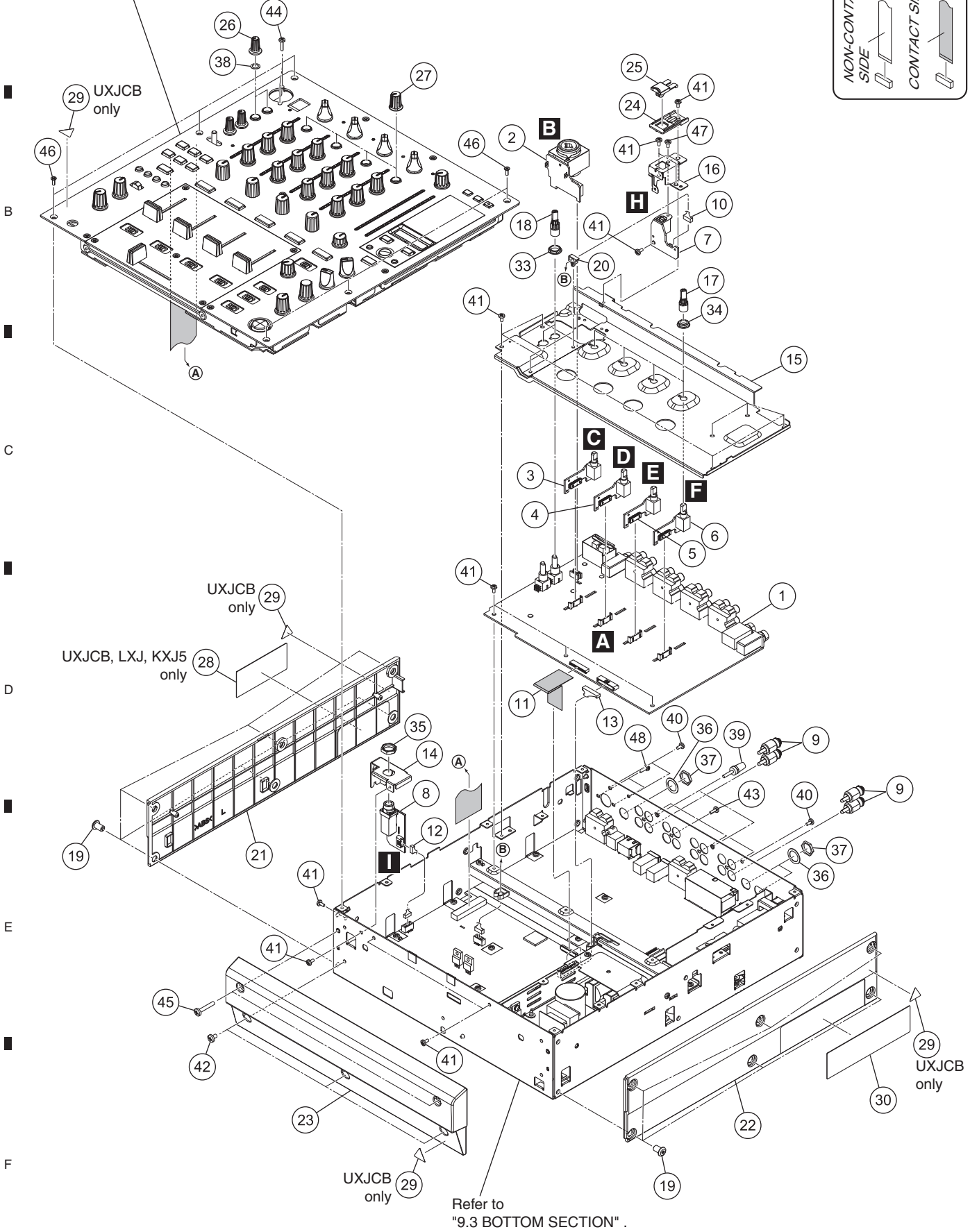
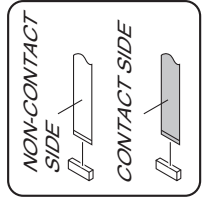
1

2

3

4

A Refer to "9.4 CONTROL PANEL SECTION (1/2)".



1

2

3

4

(1) EXTERIOR SECTION PARTS LIST

<u>Mark No.</u>	<u>Description</u>	<u>Part No.</u>	<u>Mark No.</u>	<u>Description</u>	<u>Part No.</u>
1	INPUT Assy	DWX3193	26	Rotary SW Knob S (B)	DAA1178
2	MIC1 Assy	DWX3207	27	Rotary SW Knob S (C)	DAA1204
3	TRM1 Assy	DWX3203	NSP 28	Caution Label	See Contrast table (2)
4	TRM2 Assy	DWX3204	NSP 29	Label	See Contrast table (2)
5	TRM3 Assy	DWX3205	NSP 30	Name Label	See Contrast table (2)
6	TRM4 Assy	DWX3206	31	•••••	
7	USB1 Assy	DWX3192	32	•••••	
8	HPJK Assy	DWX3208	33	Flange Nut M9	DBN1008
9	Short Pin Plug	AKM7008	34	Flange Nut M7	DBN1011
10	USB Cable (5P)	DDA1041	35	Nut M12	DBN1018
11	40P FFC	DDD1550	36	Washer	DEC2920
12	Connector Assy	PF04PP-S12	37	Nut	NKX2FTC
13	Connector Assy	PF11PP-D07	38	Washer	WA62D095D025
14	HP Stay	DNF1820	39	Terminal Screw	AKE-031
15	TRIM Bracket	DNF1864	40	Screw	BBZ30P060FTB
16	USB Bracket	DNF1868	41	Screw	BBZ30P060FTC
17	Extension Shaft A	DNK5365	42	Screw	BCZ40P060FTB
18	Extension Shaft B	DNK5366	43	Screw	BPZ30P080FTB
19	Rivet (Plastic)	AEC1877	44	Screw	BPZ30P120FTB
20	Locking Mini Clamp	DEC2439	45	Screw	BSZ40P220FTB
21	Side Panel L	DNK5363	46	Screw	CCZ30P080FTB
22	Side Panel R	DNK5364	47	Screw (M3x5)	DBA1340
23	Front Panel	DNK5845	48	Screw	PMH30P100FTB
24	USB Panel	DNK5847			
25	USB Cover B	DNK5868			

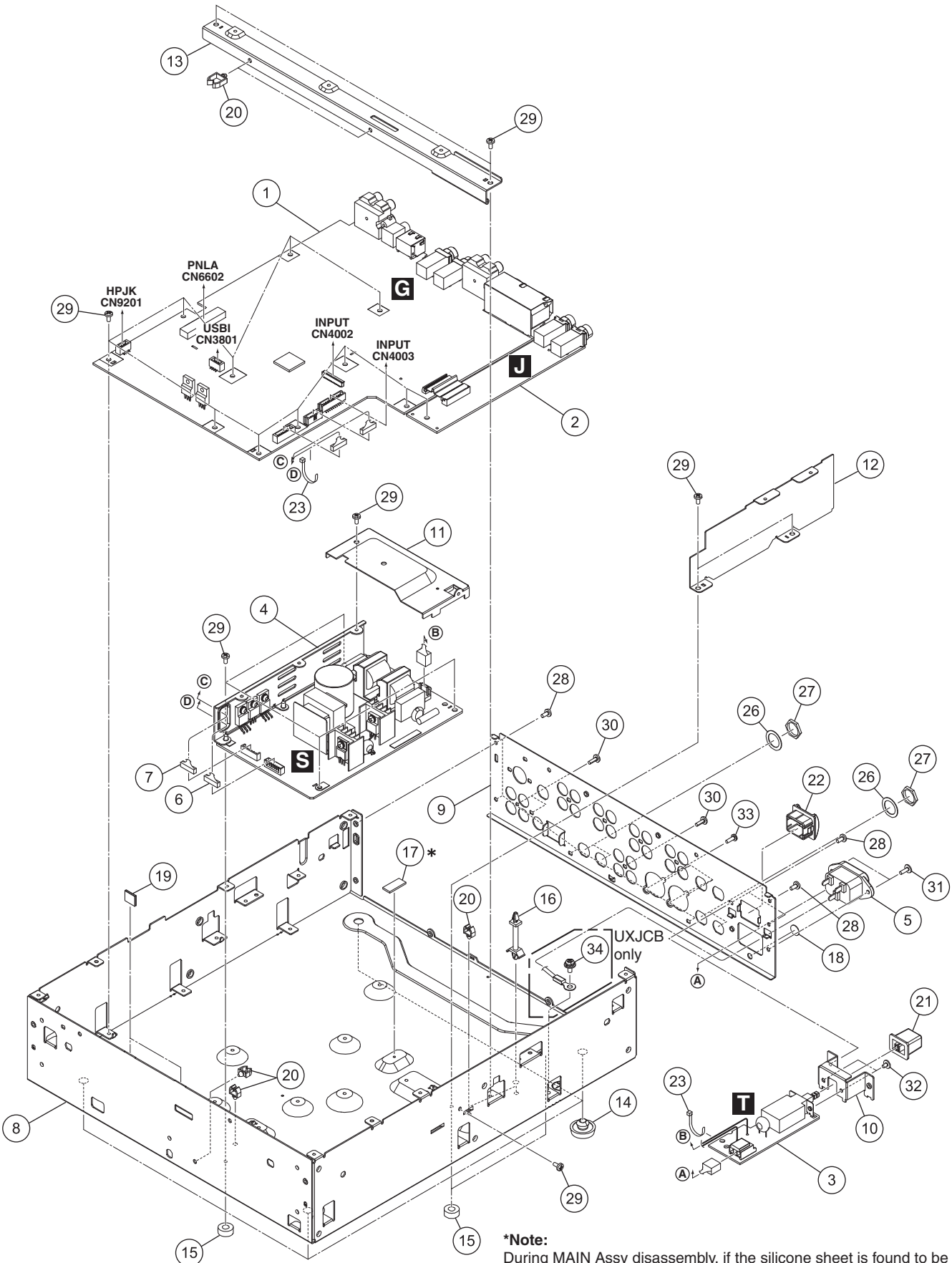
(2) CONTRAST TABLE

DJM-900NXS/SYXJ8, UXJCB, LXJ, KXJ5 and XJCN5 are constructed the same except for the following:

Mark	No.	Symbol and Description	DJM-900NXS /SYXJ8	DJM-900NXS /UXJCB	DJM-900NXS /LXJ	DJM-900NXS /KXJ5	DJM-900NXS /XJCN5
NSP	28	Caution Label	Not used	DRW2429	DRW2430	DRW2432	Not used
NSP	29	Label	Not used	DRW1975	Not used	Not used	Not used
NSP	30	Name Label	DRW2463	DRW2472	DRW2473	DRW2476	DRW2475

9.3 BOTTOM SECTION

A
B
C
D
E
F



***Note:**
During MAIN Assy disassembly, if the silicone sheet is found to be deformed, replace it with a new one.

BOTTOM SECTION PARTS LIST

Mark No.	Description	Part No.	
	1 MAIN Assy	DWX3190	
	2 SEND Assy	DWX3195	A
	3 ACSW Assy	DWR1490	
⚠	4 POWER SUPPLY Assy	DWR1492	
⚠	5 AC Inlet Assy	See Contrast table (2)	
	6 Connector Assy	DKP3901	
	7 Connector Assy	PF06EP-S22	
NSP	8 Chassis	DNA1410	
	9 Rear Panel	See Contrast table (2)	
	10 Bracket PSW	DNF1759	
	11 Power Shield	DNF1815	B
	12 AC Shield	DNF1816	
	13 Center Stay	DNF1867	
	14 Foot (Rubber)	REC-434	
NSP	15 Spacer	AEB7092	
	16 PCB Support	AEC7513	
NSP	17 Silicon Rubber D5 L	DEB1456	
	18 Blind Label	DEC2928	
	19 Tape	DEC3053	
	20 Holder	VEC1355	C
	21 Power Knob	DAC2306	
	22 Power Knob Guard	DNK4534	
	23 Binder	ZCA-SKB90BK	
	24 •••••		
	25 •••••		
	26 Washer	DEC2920	
	27 Nut	NKX2FTC	
	28 Screw	BBZ30P060FTB	
	29 Screw	BBZ30P060FTC	D
	30 Screw	BPZ30P080FTB	
	31 Screw	IBZ30P080FTB	
	32 Screw	IMZ30P040FTC	
	33 Screw	PPZ30P080FTB	
	34 Screw	See Contrast table (2)	

(2) CONTRAST TABLE

DJM-900NXS/SYXJ8, UXJCB, LXJ, KXJ5 and XJCN5 are constructed the same except for the following:

Mark	No.	Symbol and Description	DJM-900NXS /SYXJ8	DJM-900NXS /UXJCB	DJM-900NXS /LXJ	DJM-900NXS /KXJ5	DJM-900NXS /XJCN5
⚠	5	AC Inlet Assy (2P)	DKP3762	Not used	DKP3762	DKP3762	DKP3762
⚠	5	AC Inlet Assy (3P)	Not used	DKP3927	Not used	Not used	Not used
	9	Rear Panel	DNC2020	DNC2037	DNC2038	DNC2041	DNC2040
	34	Screw	Not used	PMH40P080FTC	Not used	Not used	Not used

9.4 CONTROL PANEL SECTION (1/2)

1

2

3

4

A

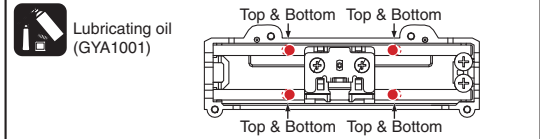
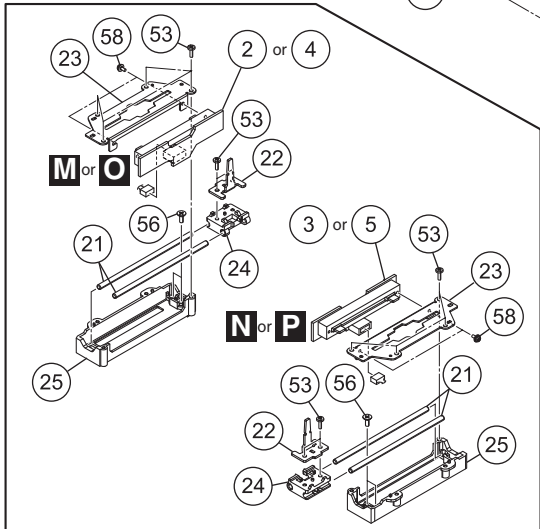
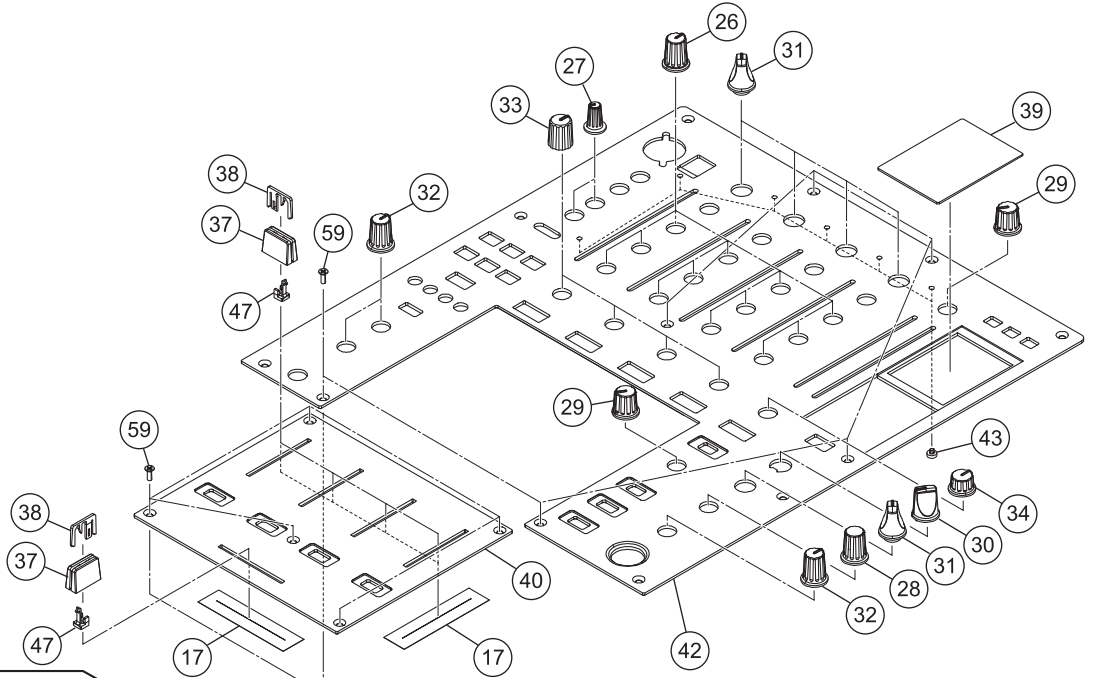
B

C

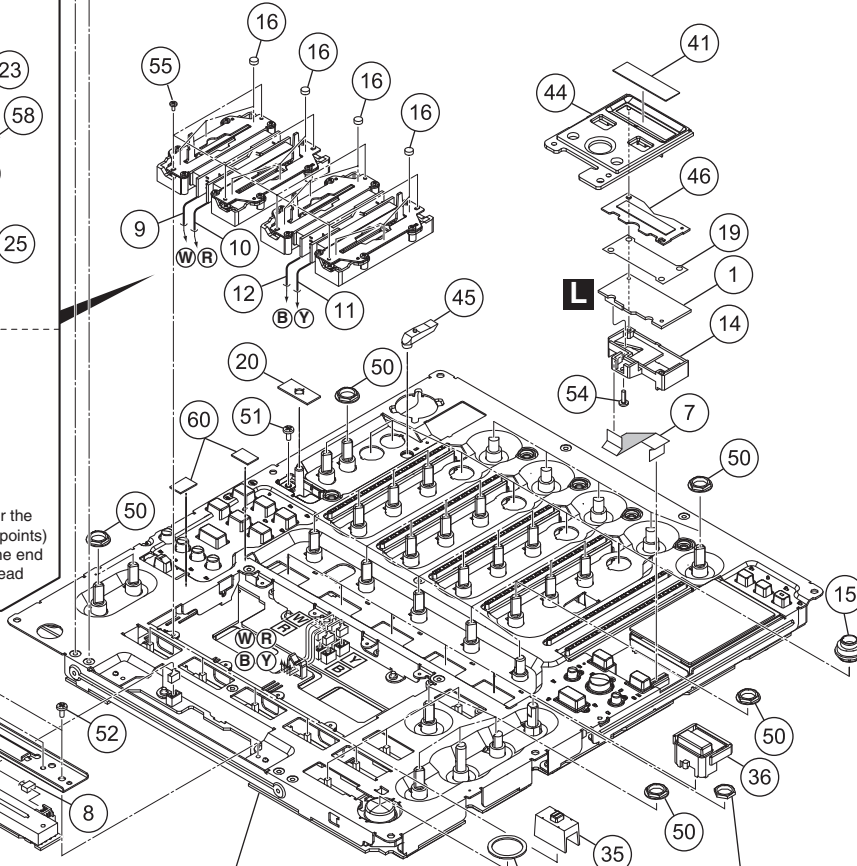
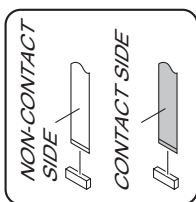
D

E

F



Note:
 Greasing must be performed at a total of 8 points, 2 points each for the upper and bottom places of each shaft. (0.4 to 1 mg per point × 8 points)
 After applying grease, move the slider base back and forth from one end to the other for approximately 10 to 20 strokes, in order to fully spread the grease.



Refer to "9.5 CONTROL PANEL SECTION (2/2)".

Nut:
Attached part of Rotary encoder (DSX1068)

1

2

3

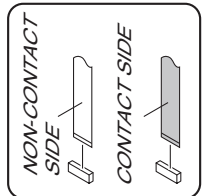
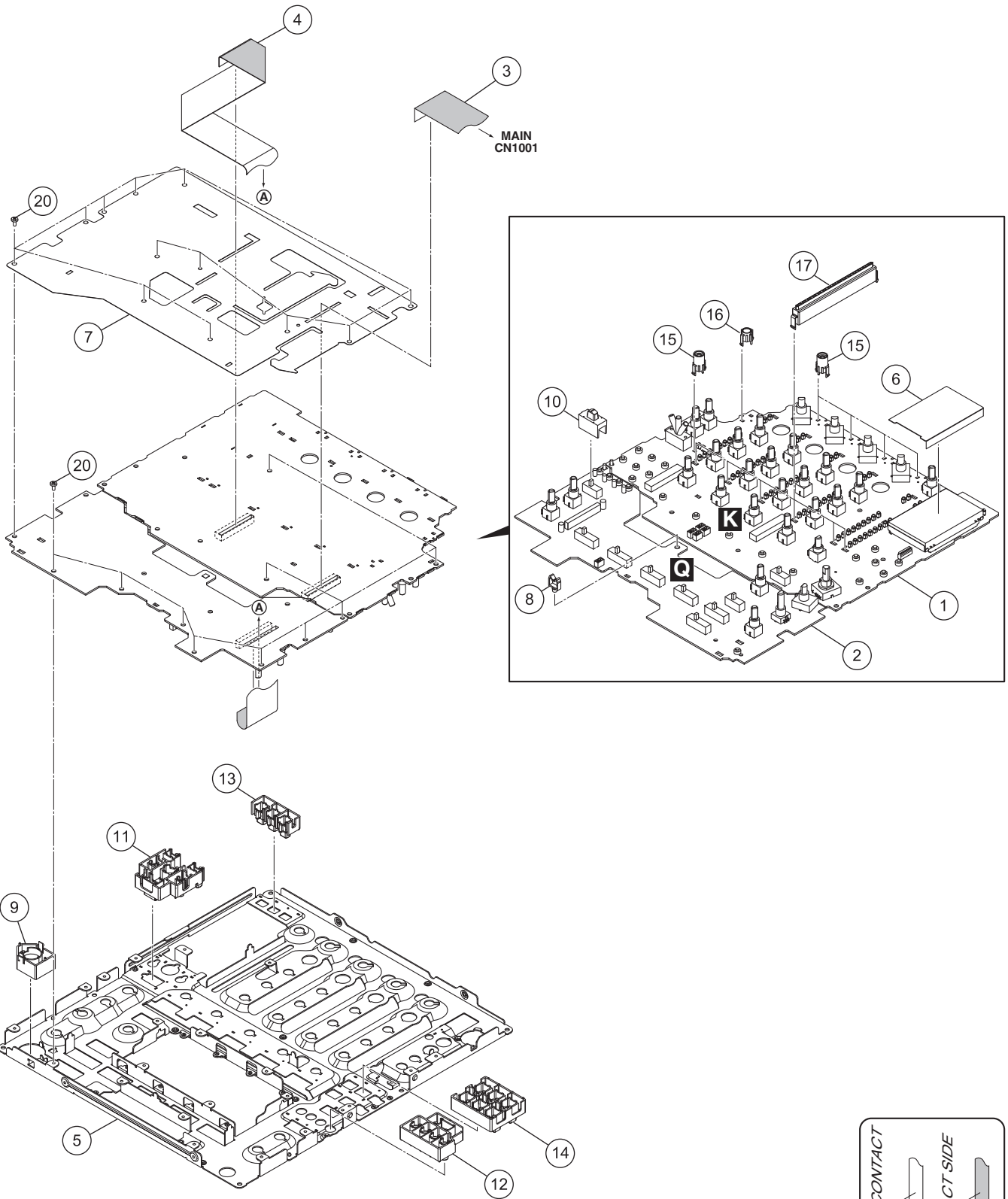
4

CONTROL PANEL SECTION (1/2) PARTS LIST

<u>Mark No.</u>	<u>Description</u>	<u>Part No.</u>	<u>Mark No.</u>	<u>Description</u>	<u>Part No.</u>	
1	CDCB Assy	DWX3191	46	Lens (CDC)	DNK5871	
2	FAD1 Assy	DWX3198	47	Slider Knob Stopper	DNK5888	A
3	FAD2 Assy	DWX3199	48	•••••		
4	FAD3 Assy	DWX3200	49	•••••		
5	FAD4 Assy	DWX3201	50	Flange Nut M9	DBN1008	
6	FADC Assy	DWX3202	51	Screw	AMZ26P040FTC	
7	FFC	DDD1582	52	Screw	BBZ30P060FTC	
8	Connector Assy	PF03PP-B07	53	Screw	BPZ20P060FTC	
9	Connector Assy	PF03PP-B12	54	Screw	BPZ26P080FTC	
10	Connector Assy	PF03PP2B07	55	Screw	BSZ20P040FTB	
11	Connector Assy	PF03PP4B12	56	Screw	CPZ26P080FTC	B
12	Connector Assy	PF03PP6B07	57	Screw	IMZ30P040FTC	
13	CRF Stay	DNF1870	58	Screw	PMH20P040FTC	
14	CDC Holder	DNK5842	59	Screw	CCZ30P080FTB	
15	Bush	DNK5974	60	Spacer TFTB	DEC3300	
16	SW Cushion HH48/2	DEC2538				
17	Fader Packing	DEC2903				
18	SW Packing (EF)	DEC2929				
19	CDC Tape	DEC3324				
20	SW Packing	DED1177				C
NSP 21	Guide Shaft (S)	DLA1918				
22	Lever Plate	DNH2954				
23	VR Stay	DNH2955				
24	Slider Base	DNK5851				
25	Shaft Holder	DNK5852				
26	Rotary SW Knob (B)	DAA1176				
27	Rotary SW Knob S (A)	DAA1177				
28	Rotary SW Knob (C)	DAA1180				
29	Rotary SW Knob (MA)	DAA1198				D
30	Select Knob	DAA1205				
31	FX Sel Knob	DAA1213				
32	Rotary Knob (BN)	DAA1220				
33	Rotary SW Knob (HM)	DAA1256				
34	Rotary Knob Low (BN)	DAA1265				
35	Slide SW Cap (W)	DAC2401				
36	Button (CUE)	DAC2503				
37	Slider Knob 1	DAC2684				
38	Slider Knob 2	DAC2685				E
39	FL Panel	DAH2829				
40	Fader Panel	DAH2830				
41	CDC Sheet	DEC3325				
42	Control Panel	DNB1186				
43	Lens	DNK4532				
44	CDC Panel	DNK5846				
45	Lens (USB)	DNK5848				F

9.5 CONTROL PANEL SECTION (2/2)

A • Bottom view



CONTROL PANEL SECTION (2/2) PARTS LIST

<u>Mark No.</u>	<u>Description</u>	<u>Part No.</u>	
1	PNLA Assy	DWX3196	
2	PNLB Assy	DWX3197	A
3	31P FFC	DDD1551	
4	31P FFC	DDD1553	
5	Panel Stay	DND1265	
6	Barrier FL	DEC3351	
7	Barrier	DEC3382	
8	Wire Saddle	XEC3100	
9	Effect Knob	DAC2304	
10	Slide SW Cap	DAC2400	
11	Button (TAP)	DAC2653	B
12	Button (LINK)	DAC2654	
13	Button (MIDI)	DAC2655	
14	Button (CFX)	DAC2656	
15	Lens Holder	DNK4533	
16	Lens Holder (S)	DNK5849	
17	Label Meter Assy	DXB1882	
18	•••••		
19	•••••		
20	Screw	BBZ30P060FTC	C

12. PCB PARTS LIST

NOTES: ● Parts marked by "NSP" are generally unavailable because they are not in our Master Spare Parts List.

● The Δ mark found on some component parts indicates the importance of the safety factor of the part. Therefore, when replacing, be sure to use parts of identical designation.

● When ordering resistors, first convert resistance values into code form as shown in the following examples.

Ex.1 When there are 2 effective digits (any digit apart from 0), such as 560 ohm and 47 k ohm (tolerance is shown by J = 5%, and K = 10%).

560 Ω \rightarrow 56 $\times 10^1$ \rightarrow 561 RD1/APU $\overline{5}$ $\overline{6}$ $\overline{7}$ J

47 k Ω \rightarrow 47 $\times 10^3$ \rightarrow 473 RD1/APU $\overline{4}$ $\overline{7}$ $\overline{3}$ J

0.5 Ω \rightarrow R50 RN2H \overline{R} $\overline{5}$ $\overline{0}$ K

1 Ω \rightarrow 1R0 RSIP $\overline{1}$ \overline{R} $\overline{0}$ K

Ex.2 When there are 3 effective digits (such as in high precision metal film resistors).

5.62 k Ω \rightarrow 562 $\times 10^1$ \rightarrow 5621 RN1/4PC $\overline{5}$ $\overline{6}$ $\overline{2}$ $\overline{1}$ F

● Meaning of the figures and others in the parentheses in the parts list.

Example) IC 301 is on the point (face A, 91 of x-axis, and 111 of y-axis) of the corresponding PC board.

IC 301 (A, 91, 111) IC NJM2068V

Mark	No.	Description	Part No.	Mark	No.	Description	Part No.
LIST OF ASSEMBLIES				IC	5201,5207,5601,5607		RNB4580F
NSP	1..MOTHER ASSY		DWM2418	IC	5202,5204,5205,5401		NJM4580MD
	2..MAIN ASSY		DWX3190	IC	5402,5602,5604,5605		NJM4580MD
	2..GDCB ASSY		DWX3191	IC	5801		RNB4580F
	2..USB1 ASSY		DWX3192	IC	5802,6204		AK5358AET
NSP	1..AUDIO ASSY		DWM2419	IC	6201,6203		NJM4580MD
	2..INPUT ASSY		DWX3193	IC	6202		TC7S04FU
	2..SEND ASSY		DWX3195	Q	4001,4002		LSC4081UB
	2..TRM1 ASSY		DWX3203	Q	4201-4206,4401-4404		HN1C01FU
	2..TRM2 ASSY		DWX3204	Q	4207-4210,4405,4406		2SK3320
				Q	4211,4613,5013,5411		LTC124EUB
	2..TRM3 ASSY		DWX3205	Q	4601-4604,4606-4609		HN1C01FU
	2..TRM4 ASSY		DWX3206	Q	4610-4612,4614,4805		2SK3320
NSP	1..SUB ASSY		DWM2420	Q	4801-4804,5001-5008		HN1C01FU
	2..ACSW ASSY		DWR1490	Q	4806,5009-5012,5205		2SK3320
	2..PNLB ASSY		DWX3197	Q	5201-5204,5401-5406		HN1C01FU
	2..FAD1 ASSY		DWX3198				
	2..FAD2 ASSY		DWX3199	Q	5206,5407-5410,5605		2SK3320
				Q	5601-5604		HN1C01FU
	2..FAD3 ASSY		DWX3200	Q	5606		2SK3320
	2..FAD4 ASSY		DWX3201	Q	6201		LTC124EUB
	2..FADC ASSY		DWX3202	Q	6202,6203		2SK209
	2..MIC1 ASSY		DWX3207				
	2..HPJK ASSY		DWX3208	Q	6204,6205		LSC4081UB
				D	4201,4202,4401,4402		HZU3R0(B1)
	1..PNLA ASSY		DWX3196	D	4203,4204,4605,4606		1SS352
Δ	1..POWER SUPPLY ASSY		DWR1492	D	4403,4404,4803,4804		RB706F-40
				D	4405-4408,4805-4808		1SS302

Mark	No.	Description	Part No.
------	-----	-------------	----------

A

INPUT ASSY

SEMICONDUCTORS

IC	4002-4004,4006-4010	TC7SH08FUS1
IC	4005	TC74VHC74FK
IC	4201,4202,4402,4404	NJM4580MD
IC	4401,4407,4801,4807	RNB4580F
IC	4403,4803,5203,5603	AK5358AET
IC	4405,4601,4602,4802	NJM4580MD
IC	4406,4806,5206,5606	CS5381-KZ
IC	4408,4808,5208,5608	TC7WH157FK
IC	4804,4805,5001,5002	NJM4580MD

MISCELLANEOUS

L	6201 FERRITE CORE	VTF1093
JA	4201,4601,5001,5401 JACK	DKB1083
JA	5801 HEADPHONE JACK	XKB3066
JA	5802,6201 MIC JACK	DKN1614
JA	6202 CONNECTOR	DKN1188

Mark	No.	Description	Part No.	Mark	No.	Description	Part No.
A	KN 4001-4003	EARTH TERMINAL	AKF7002	R	5219-5222,5233,5279		RN1/16SE2001D
	VR 6201,6202	ROTARY VR	DCS1072	R	5232,5278,5632,5678		RN1/16SE1202D
	RY 4201,4601,5001,5401	RELAY	VSR1008	R	5239,5241,5243,5245		RN1/16SE2200D
	CN 4002	FFC CONNECTOR	VKN1811	R	5240,5242,5244,5246		RN1/16SE4300D
	CN 4003	L-PLUG (11P)	KM200NA11L	R	5248-5251,5648-5651		RN1/16SE6800D
	CN 4201,4601,5001,5401	11P PLUG	XKP3065	R	5252,5255,5256,5259		RN1/16SE3300D
	CN 6201	CONNECTOR	CKS3561	R	5253,5254,5257,5258		RN1/16SE1001D
	0	SHIELD CASE (MIDI)	DNH2736	R	5292,5293,5680-5683		RS1/10SR0R0J
				R	5402,5404,5416,5417		RN1/16SE1000D
				R	5406,5606,6216,6218		RN1/16SE4701D

RESISTORS

B	R 4001-4003,4052		RS1/10SR0R0J				
	R 4034,4036,4037		RS1/4SA130J	R	5407,5607		RN1/16SE4301D
	R 4057-4062,4480-4483		RS1/10SR0R0J	R	5412,5414,5420,5421		RN1/16SE4702D
	R 4202,4204,4216,4217		RN1/16SE1000D	R	5415,5418,5419,5608		RN1/16SE4700D
	R 4206,4406,4604,4607		RN1/16SE4701D	R	5424,5425,5624-5631		RN1/16SE1201D
				R	5432,5433,5436,5439		RN1/16SE1001D
	R 4207,4407,4605,4608		RN1/16SE4301D				
	R 4208,4211,4213,4215		RN1/16SE4700D	R	5434,5435,5437,5438		RN1/16SE2001D
	R 4209,4210,5409,5410		RN1/16SE2201D	R	5611,5613		RN1/16SE4700D
	R 4212,4214,4220,4221		RN1/16SE4702D	R	5619-5622,5633,5679		RN1/16SE2001D
R 4218,4219,4408,4411		RN1/16SE4700D	R	5639,5641,5643,5645		RN1/16SE2200D	
			R	5640,5642,5644,5646		RN1/16SE4300D	
C	R 4222,4223,4622-4625		RS1/10SR1803D				
	R 4224,4225,4424-4431		RN1/16SE1201D	R	5652,5655,5656,5659		RN1/16SE3300D
	R 4228,4229,5428,5429		RS1/10SR470J	R	5653,5654,5657,5658		RN1/16SE1001D
	R 4230,4231,5430,5431		RS1/10SR75R0D	R	5804,5805		RN1/16SE3602D
	R 4232,4233,4236,4239		RN1/16SE1001D	R	5812,6202,6203		RS1/10SR0R0J
				R	5820,6217		RAB4CQ103J
	R 4234,4235,4237,4238		RN1/16SE2001D				
	R 4240,4241,5440,5441		RS1/10SR7501D	R	6204,6207		RN1/16SE1000D
	R 4401,4433,4832,4878		RN1/16SE1202D	R	6205,6206		RS1/10SR221J
	R 4402,4419-4422,4434		RN1/16SE2001D	R	6208-6210,6237,6255		RS1/10SR0R0J
R 4409,4410,4809,4810		RN1/16SE2002D	R	6213		RN1/16SE3901D	
			R	6214,6215		RN1/16SE1002D	
D	R 4412,4414,4812,4814		RN1/16SE1303D				
	R 4413,4606,4609		RN1/16SE4700D	R	6219,6223,6227,6249		RN1/16SE4701D
	R 4415,4416,4815,4816		RS1/10SR3303D	R	6220,6222,6250,6252		RN1/16SE1501D
	R 4432,4801,5201,5601		RAB4CQ103J	R	6221,6253		RN1/16SE3300D
	R 4439,4441,4443,4445		RN1/16SE2200D	R	6224		RN1/16SE1500D
				R	6228,6229,6231,6232		RN1/16SE3900D
	R 4440,4442,4444,4446		RN1/16SE4300D				
	R 4448-4451,4848-4851		RN1/16SE6800D	R	6230,6233		RN1/16SE2200D
	R 4452,4455,4456,4459		RN1/16SE3300D	R	6251		RN1/16SE4701D
	R 4453,4454,4457,4458		RN1/16SE1001D	Other Resistors			RS1/16SS###J
R 4475,4875,5275,5675		RS1/10SR5R1J					

CAPACITORS

E	R 4610-4613,5010-5013		RN1/16SE1000D	C	4002-4008,4010,4020		CKSSYB104K16
	R 4614-4617,4808,4811		RN1/16SE4700D	C	4011,4015,4019,4023		CGSSCH102J50
	R 4618-4621,5018-5021		RN1/16SE4702D	C	4013,4017		CKSYB104K25
	R 4630-4637,4853,4854		RN1/16SE1001D	C	4014,4018		CEHAT101M25
	R 4806,5004,5007,5206		RN1/16SE4701D	C	4022,4030,6243		CEHAT101M10
	R 4807,5005,5008,5207		RN1/16SE4301D	C	4024,4028,4032,4233		CKSSYB104K16
	R 4813,5006,5009		RN1/16SE4700D	C	4027,4031,4434-4437		CGSSCH102J50
	R 4819-4822,4833,4879		RN1/16SE2001D	C	4201-4204,4411,4414		CGSSCH101J50
	R 4824-4831,5224-5231		RN1/16SE1201D	C	4205,4206,5405,5406		CGSSCH221J50
	R 4839,4841,4843,4845		RN1/16SE2200D	C	4207,4208,4219,4220		CGSSCH331J50
F	R 4840,4842,4844,4846		RN1/16SE4300D	C	4209,4210,4415,4416		CKSSYB474K6R3
	R 4852,4855,4856,4859		RN1/16SE3300D	C	4211,4213,5411,5413		CEHAT471M6R3
	R 4857,4858,5030-5037		RN1/16SE1001D	C	4212,4214,4417,4418		CKSSYB472K50
	R 4880-4883,5280,5281		RS1/10SR0R0J	C	4215,4216,5415,5416		CKSRYB223K50
	R 5014-5017,5208,5211		RN1/16SE4700D	C	4217,4218,5417,5418		CKSSYB471K50
	R 5022-5025,5422,5423		RS1/10SR1803D	C	4221,4222,5421,5422		CFHXSQ103J16
	R 5209,5210,5609,5610		RN1/16SE2002D	C	4223-4225,4227,4405		CKSRYB104K25
	R 5212,5214,5612,5614		RN1/16SE1303D	C	4226,4228,4426,4429		CEHAZL101M25
	R 5213,5408,5411,5413		RN1/16SE4700D	C	4229-4232,4625-4628		CEANP330M16
	R 5215,5216,5615,5616		RS1/10SR3303D	C	4407,4422,4423		CKSRYB104K25

Mark	No.	Description	Part No.	Mark	No.	Description	Part No.
C	4412,4413,4812,4813		CEHAT100M50				
C	4419,4444,4819,4844		DCH1201	C	6216,6221		CCSSCH471J50
C	4420,4428,4445,4446		CKSSYB104K16	C	6218,6224		CEJQNP100M35
C	4421,4821,5221,5621		CCG1205	C	6220		CKSSYB331K50
C	4424,4425,4824,4825		CEHAZL220M50	C	6222,6223,6238,6240		CKSRYP104K25
				C	6228,6230,6232		CKSSYB104K16
C	4430-4433,4456,4457		CKSRYP104K25	C	6229,6231		DCH1201
C	4438,4838,5238,5638		CKSSYB103K25	C	6233		CKSSYB103K25
C	4447,4448,4847,4848		CKSSYB103K16	C	6241		CCSSCH331J50
C	4449,4450,4849,4850		CCSRCH222J50	C	6242		CKSRYP104K25
C	4451,4851,5251,5651		CEHAZL331M6R3				
C	4452,4454,4852,4854		CEHAZL101M10				
C	4453,4455,4458,4466		CKSSYB104K16				
C	4601-4608,4811,4814		CCSSCH101J50				
C	4609-4612,4815,4816		CKSSYB474K6R3				
C	4613-4616,4817,4818		CKSSYB472K50				
C	4617-4619,4621,4805		CKSRYP104K25				
C	4622,4624,4826,4829		CEHAZL101M25				
C	4629,4820,4828,4845		CKSSYB104K16				
C	4807,4822,4823		CKSRYP104K25				
C	4830-4833,4856,4857		CKSRYP104K25				
C	4834-4837,5234-5237		CCSSCH102J50				
C	4846,4853,4855,4858		CKSSYB104K16				
C	4866,5029,5220,5228		CKSSYB104K16				
C	5001-5008,5211,5214		CCSSCH101J50				
C	5009-5012,5215,5216		CKSSYB474K6R3				
C	5013-5016,5217,5218		CKSSYB472K50				
C	5017-5019,5021,5205		CKSRYP104K25				
C	5022,5024,5226,5229		CEHAZL101M25				
C	5025-5028,5429-5432		CEANP330M16				
C	5207,5222,5223		CKSRYP104K25				
C	5212,5213,5612,5613		CEHAT100M50				
C	5219,5244,5619,5644		DCH1201				
C	5224,5225,5624,5625		CEHAZL220M50				
C	5230-5233,5256,5257		CKSRYP104K25				
C	5245,5246,5253,5255		CKSSYB104K16				
C	5247,5248,5647,5648		CKSSYB103K16				
C	5249,5250,5649,5650		CCSRCH222J50				
C	5252,5254,5652,5654		CEHAZL101M10				
C	5258,5266,5433,5620		CKSSYB104K16				
C	5401-5404,5611,5614		CCSSCH101J50				
C	5407,5408,5419,5420		CCSSCH331J50				
C	5409,5410,5615,5616		CKSSYB474K6R3				
C	5412,5414,5617,5618		CKSSYB472K50				
C	5423-5425,5427,5605		CKSRYP104K25				
C	5426,5428,5626,5629		CEHAZL101M25				
C	5607,5622,5623		CKSRYP104K25				
C	5628,5645,5646,5653		CKSSYB104K16				
C	5630-5633,5656,5657		CKSRYP104K25				
C	5634-5637,5803,5804		CCSSCH102J50				
C	5655,5658,5666,5815		CKSSYB104K16				
C	5801,5802,6211,6213		CCSSCH101J50				
C	5807,5810		CEAT470M25				
C	5808,5809,6208,6219		CKSSYB103K25				
C	5811,5812		CEHAT100M50				
C	5813,5814,5817,6227		DCH1201				
C	5816,5818,5820,6217		CKSSYB104K16				
C	5821		CKSSYB103K16				
C	6201,6202,6215		CCSSCH102J50				
C	6207,6212,6225,6226		CEJQ100M35				
C	6214		CKSSYB471K50				

B MIC1 ASSY
SEMICONDUCTORS

D 9001-9004 UZDS15(B)

MISCELLANEOUS

JA 9001 CANON CONNECTOR DKB1108
CN 9001 PLUG CKS3533
0 MIC SHIELD DNF1849

RESISTORS

R 9001-9004 RN1/16SE1000D

CAPACITORS

C 9001,9002 CFTLA103J50
C 9003-9008 CCSRCH102J50

C TRM1 ASSY
MISCELLANEOUS

VR 8201 ROTARY VR DCS1119
CN 8201 11P SOCKET XKP3076

CAPACITORS

C 8201 CKSRYP104K25

D TRM2 ASSY
MISCELLANEOUS

VR 8401 ROTARY VR DCS1119
CN 8401 11P SOCKET XKP3076

CAPACITORS

C 8401 CKSRYP104K25

E TRM3 ASSY
MISCELLANEOUS

VR 8601 ROTARY VR DCS1119
CN 8601 11P SOCKET XKP3076

CAPACITORS

C 8601 CKSRYP104K25

F TRM4 ASSY
MISCELLANEOUS

VR 8801 ROTARY VR DCS1119
CN 8801 11P SOCKET XKP3076

CAPACITORS

C 8801 CKSRYP104K25

Mark	No.	Description	Part No.	Mark	No.	Description	Part No.
A		G MAIN ASSY					
		SEMICONDUCTORS					
		IC 101,201,301,401	TC7WU04FU	Q	2814,2816,2818		HN1A01FU
		IC 102,1601,2001,2002	TC7SHU04FUS1	Q	2817,2819		HN1C01FU
		IC 103-107,115-118	TC7SH08FUS1	Q	2823,2825,2827,2838		LSA1576UB
		IC 109	TC7WH157FK	Q	2824,2826,3401,3403		LSC4081UB
		IC 110,202,302,402	DIR9001PW	Q	2830,2831,2834,2835		2SA2090
				Q	2832,2833		2SC5868
				Q	2837		2SC3326
				Q	2839,3402,3404,3411		LSA1576UB
			Q	3001-3004,3201,3203		2SK209	
			Q	3005-3008,3202		INC2002AC1	
			Q	3204,3209		2SK209	
			Q	3205-3208,3210-3212		INC2002AC1	
			Q	3405,3407		2SD1760F5	
			Q	3406,3408		2SB1184F5	
B	NSP	IC 502	DYW1798	Q	3412		LSA1576UB
		IC 503	MD56V72160B-6TAZ	D	1201,1402,1414		1SS301
		IC 504,1403,1602	TC7SH08FUS1	D	1202,1203		RB501V-40
		IC 505	TC7SH04FUS1	D	1401,1415,2807-2824		1SS352
		IC 701	D810K013BZKB400	D	1405		RB160L-40
				D	1406		RKZ3.3KG(B2)
		IC 702	MD56V82160-6TAZ	D	1410,1411,1413		CMS03
		IC 703	DYW1797	D	2801		HZU5R1(B1)
		IC 704	TC7SG08FU	D	2803-2806		HZU3R0(B1)
		△ IC 1201	KIA7809API	D	2829-2832		DZ2S180C
		△ IC 1202	KIA7909PI				
C		△ IC 1401	NJM2392M	D	2833,2834,3401-3405		1SS352
		△ IC 1402	S-1170B25UC-OTK				
		△ IC 1404	NJM2831F33				
		△ IC 1405	BD9325FJ				
		△ IC 1406,1407	BD9326EFJ				
		IC 1603	RTL8201EL-VC-GR				
		IC 1801	ADSP-BF524BBCZ-3A				
		IC 1802	IS42S16400F-6TL				
		IC 2003-2005,2007-2009	TC7SH08FUS1				
		IC 2010	S-80927CNMC-G8X	L	1404 INDUCTOR		BTH1110
				L	1601,1801 CHIP SOLID INDUCTOR		QTL1013
				L	1802 CHIP SOLID INDUCTOR		QTL1013
D		IC 2011	DYW1799	L	2001 CHIP COIL		LCTAW330J2520
		IC 2012	TC74HC4052AFT	F	1601,1602 COIL		VTH1056
		IC 2205-2210,2401-2403	TC7SH08FUS1				
		IC 2214	XC3S50A-4FTG256C				
		IC 2404	CS8421-CZ	JA	101 4P PIN JACK (ORANGE)		DKB1110
				JA	1601 RJ45 CONNECTOR		VKN2023
		IC 2405	AK4114VQ	JA	2401 1P JACK		DKB1089
		IC 2601-2604	TC7SH08FUS1	JA	2801,2802 CANON CONNECTOR		DKB1093
		IC 2801,3003	RNB4580F	JA	3001 JACK		DKB1083
		IC 2802	AK4390EF				
		IC 2803,2804,3002,3004	NJM4580MD	JA	3201,3202 HEADPHONE JACK		DKN1622
				KN	1201-1208 WRAPPING TERMINAL		CKF1089
		IC 2805,2806	NJM4580D	KN	2601,3401 WRAPPING TERMINAL		CKF1089
		IC 3001	AK4387ET	RY	2801,2802,3401 RELAY		VSR1008
E		IC 3201,3404	AK4382AVT	T	1601 10/100BASE-T TRANS		BTX1044
		IC 3202,3205	NJM4565MD				
		IC 3203,3204,3405,3406	NJM4580MD	X	101 CRYSTAL (22.5792 MHz)		DSS1202
				X	1601 CRYSTAL (25 MHz)		DSS1205
		Q 101-103,1205,1405	LTC124EUB	X	1801 CRYSTAL (24 MHz)		DSS1203
		Q 1201,1402,1410	HN1A01FU	X	2001 RESONATOR (20 MHz)		CSS1795
		Q 1206,1406,2001	LTA124EUB	X	2002 CRYSTAL (24.576 MHz)		DSS1204
		Q 1404,1409,2603,2821	LSA1576UB				
		Q 1407,2003,2401-2403	LTC124EUB	CN	1001 CONNECTOR		9604S-31C
				CN	1002 CONNECTOR		VKN2050
		Q 1408,2602,2820,2822	LSC4081UB	CN	1003 19P PLUG		AKM7077
		Q 2404	2SC2412K	CN	1201 CONNECTOR		AKM1277
		Q 2601,2836,3409,3410	LTC124EUB	CN	1202 CONNECTOR		AKM1278
F		Q 2801,2802,2828,2829	2SC5868				
		Q 2803-2808,2811,2815	HN1C01FU	CN	1203 CONNECTOR		AKM1282
				CN	1802 CONNECTOR		AKM1276
		Q 2809,2810,2812,2813	2SK3320	CN	3401 CONNECTOR		AKM1275

MISCELLANEOUS

L	501-503 CHIP SOLID INDUCTOR	QTL1013
L	701,702 CHIP SOLID INDUCTOR	QTL1013
L	703,704 INDUCTOR	CTF1579
L	1401 INDUCTOR(470 uH)	DTL1123
L	1402,1403 INDUCTOR	CTH1253
L	1404 INDUCTOR	BTH1110
L	1601,1801 CHIP SOLID INDUCTOR	QTL1013
L	1802 CHIP SOLID INDUCTOR	QTL1013
L	2001 CHIP COIL	LCTAW330J2520
F	1601,1602 COIL	VTH1056
JA	101 4P PIN JACK (ORANGE)	DKB1110
JA	1601 RJ45 CONNECTOR	VKN2023
JA	2401 1P JACK	DKB1089
JA	2801,2802 CANON CONNECTOR	DKB1093
JA	3001 JACK	DKB1083
JA	3201,3202 HEADPHONE JACK	DKN1622
KN	1201-1208 WRAPPING TERMINAL	CKF1089
KN	2601,3401 WRAPPING TERMINAL	CKF1089
RY	2801,2802,3401 RELAY	VSR1008
T	1601 10/100BASE-T TRANS	BTX1044
X	101 CRYSTAL (22.5792 MHz)	DSS1202
X	1601 CRYSTAL (25 MHz)	DSS1205
X	1801 CRYSTAL (24 MHz)	DSS1203
X	2001 RESONATOR (20 MHz)	CSS1795
X	2002 CRYSTAL (24.576 MHz)	DSS1204
CN	1001 CONNECTOR	9604S-31C
CN	1002 CONNECTOR	VKN2050
CN	1003 19P PLUG	AKM7077
CN	1201 CONNECTOR	AKM1277
CN	1202 CONNECTOR	AKM1278
CN	1203 CONNECTOR	AKM1282
CN	1802 CONNECTOR	AKM1276
CN	3401 CONNECTOR	AKM1275

Mark	No.	Description	Part No.	Mark	No.	Description	Part No.
	0	CANON SHIELD	DNF1789	R	1444,1613,1804,1806		RS1/10SR0R0J
NSP	0	ID LABEL ASSY	AXW7015	R	1446,1450,3021,3022		RS1/10SR4701D
				R	1447		RS1/10SR1201D
△	P	1204 PROTECTOR (3.000 A)	DEK1103	R	1448		RS1/10SR2201D
△	P	1207,1208 PROTECTOR (0.750 A)	DEK1121				
△	P	1209 PROTECTOR (0.750 A)	DEK1096	R	1609-1612		RS1/10SR750J
△	P	1210 PROTECTOR (0.500 A)	DEK1095	R	1618		RS1/10SR2491F
	JP	1205,1206 JUMPER	DDC1022-A	R	1807,1817,2001,2002		RS1/10SR0R0J
				R	1835-1837,1884,1885		RAB4CQ121J
				R	1861-1864,1882,1883		RAB4CQ470J
				R	1902,1903		RAB4CQ470J
				R	1904,1905		RAB4CQ121J
				R	2023,3049,3050		RS1/10SR474J
				R	2025,2073,2074,2089		RS1/10SR0R0J
				R	2032		RAB4CQ222J
				R	2055,2809,3007,3206		RAB4CQ103J
				R	2075,2076,2260,2265		RAB4CQ220J
				R	2239,2268,2280,2425		RS1/10SR0R0J
				R	2252,2271,2330		RAB4CQ330J
				R	2277,2278,2287,2289		RAB4CQ220J
				R	2310,2311,2320,2321		RAB4CQ220J
				R	2340,2354,2359,2602		RAB4CQ220J
				R	2414,2892-2899		RN1/16SE2001D
				R	2415		RN1/16SE6202D
				R	2422		RN1/16SE1802D
				R	2426		RS1/10SR272J
				R	2427		RS1/10SR182J
				R	2428		RS1/10SR392J
				R	2429		RS1/10SR221J
				R	2430		RS1/10SR680J
				R	2431,3047,3048		RS1/10SR104J
				R	2432,2601,2607,2608		RS1/10SR0R0J
				R	2603,2622		RAB4CQ220J
				R	2605,2609-2611		RS1/4SOR0J
				R	2614-2621,2633,2805		RS1/10SR0R0J
				R	2802,2803,2922-2925		RS1/10SR102J
				R	2817,2820,3232,3233		RS1/10SR0R0J
				R	2821,2905,2906,3214		RN1/16SE4701D
				R	2822		RN1/16SE4301D
				R	2823,2832,2837,2846		RN1/16SE4700D
				R	2824-2831,2958,2961		RN1/16SE1501D
				R	2833-2836,2838-2841		RN1/16SE8201D
				R	2842-2845,2847-2850		RN1/16SE1301D
				R	2851		RN1/16SE4700D
				R	2852-2859		RN1/16SE8201D
				R	2860-2867		RN1/16SE1101D
				R	2868-2871		RS1/10SR3303D
				R	2872-2875		RS1/10SR181J
				R	2876-2883,3428,3429		RN1/16SE2201D
				R	2888-2891		RN1/16SE3902D
				R	2904,2907,2912-2915		RN1/16SE1000D
				R	2908-2911		RN1/16SC68R0D
				R	2920,2921,2938,2943		RN1/16SE1000D
				R	2930-2933,3457-3460		RS1/10SR102J
				R	2934-2937,2939-2942		DCN1199
				R	2952-2955,3248,3250		DCN1198
				R	2957,2960,2964,2967		RN1/16SE1001D
				R	2962,2969-2971		RN1/16SE3301D
				R	2963,2966,3218,3219		RN1/16SE3901D
				R	2965,2968,3272,3273		RN1/16SE1501D
				R	1440		RS1/10SR1502F

RESISTORS

R 102,202,302,402
R 112,153,163,167
R 114,1616,2004,3031
R 124,125,168,219
R 141,228,328,428

R 158,170,243,251
R 159,171,244,252
R 172,2411,2956,2959
R 173,175,180,532
R 174,2416

R 220,319,320,419
R 343,351,443,451
R 344,352,444,452
R 420,1449,1452,2410
R 501-510,572-576

R 512-515,1821,2044
R 524,525
R 594-597,799,803
R 613,782,1006,1016
R 614,615,634,635

R 616,617,636,637
R 731-735,755-757
R 783,784,825,826
R 804,817,818,836
R 837,845,846,853

R 854,913,2054,2057
R 1017,1021-1028,1035
R 1029,1032,1037
R 1036,1038
R 1039,1046-1048,1201

R 1202
R 1203
R 1207
R 1208
R 1221,3463,3465

R 1222,1228-1231,1405
R 1412
R 1413,1415
R 1416,1503
R 1418

R 1419
R 1421
R 1422
R 1423,2005,2801
R 1426,1427

R 1428,1436,1439,1442
R 1429,2807,2901,2902
R 1430-1432,1498-1500
R 1437,3015,3016
R 1438,1445,1451

R 1440

RS1/10SR75R0D
RS1/10SR0R0J
RS1/10SR105J
RS1/10SR1002D
RS1/10SR6800D

RN1/16SE2001D
RN1/16SE6202D
RN1/16SE3901D
RS1/10SR0R0J
RN1/16SE1602D

RS1/10SR1002D
RN1/16SE2001D
RN1/16SE6202D
RS1/10SR1002D
RAB4CQ220J

RAB4CQ103J
RAB4CQ221J
RAB4CQ220J
RS1/10SR0R0J
RAB4CQ470J

RAB4CQ330J
RAB4CQ100J
RAB4CQ330J
RAB4CQ220J
RAB4CQ220J

RAB4CQ220J
RS1/10SR0R0J
RAB4CQ0R0J
RAB4CQ100J
RS1/10SR0R0J

RS1/16SS1102F
RS1/16SS2002F
RS1/16SS1002F
RS1/16SS2202F
RS1/10SR103J

RS1/10SR0R0J
RS1/10SR122J
RS1/8SQ1R5J
RS1/8SQ0R0J
RS1/10SR4702F

RS1/10SR1801F
RS1/16SS6201F
RS1/16SS1801F
RS1/10SR152J
RS1/10SR223J

RS1/10SR104J
RS1/10SR183J
RS1/4SAOR0J
RS1/10SR5101D
RS1/10SR2202D

RS1/10SR1502F

Mark	No.	Description	Part No.
	R	3011-3014	RN1/16SE1202D
	R	3017,3018,3023,3024	RS1/10SR4702D
	R	3019,3020,3027,3028	RN1/16SE1502D
	R	3025,3026	RS1/10SR4301D
	R	3029,3030,3041,3042	RN1/16SE1002D
	R	3032,3043,3044	RS1/10SR105J
	R	3033,3034,3045,3046	RS1/10SR183J
	R	3035-3037,3040	DCN1200
	R	3038,3039	RS1/10SR100J
	R	3209,3271,3294,3295	RN1/16SE1001D
	R	3210,3211,3225,3227	RN1/16SE5601D
	R	3212,3213,3216,3217	RN1/16SE2702D
	R	3215,3262,3267,3278	RN1/16SE4701D
	R	3220-3223,3228-3231	RN1/16SE2701D
	R	3224,3226,3234,3236	RN1/16SE6801D
	R	3235,3237,3261,3266	RN1/16SE5601D
	R	3238,3239,3401,3404	RS1/10SR0R0J
	R	3240-3243,3249,3251	RS1/10SR183J
	R	3252,3254	DCN1198
	R	3253,3255	RS1/10SR183J
	R	3256-3259,3456,3461	RS1/10SR104J
	R	3263,3268,3282,3283	RN1/16SE3901D
	R	3264,3265,3269,3270	RN1/16SE2702D
	R	3274,3275,3284,3289	RN1/16SE5601D
	R	3276,3277,3280,3281	RN1/16SE2702D
	R	3279,3285,3290,3434	RN1/16SE4701D
	R	3286,3291,3416-3419	RN1/16SE3901D
	R	3287,3288,3292,3293	RN1/16SE2702D
	R	3296,3297	RN1/16SE1501D
	R	3413	RAB4CQ103J
	R	3420-3423	RN1/16SE1502D
	R	3424-3427	RN1/16SE3301D
	R	3430,3432	RN1/16SE1201D
	R	3431,3433,3435,3438	RS1/10SR0R0J
	R	3436,3437,3439	RN1/16SE4701D
	R	3440-3443	RS1/10SR1001D
	R	3444-3447	RS1/10SR1801D
	R	3449-3452	DCN1197
	R	3454,3455	RS1/10SR0R0J
	R	3462,3464,3466,3467	RS1/10SR473J
		Other Resistors	RS1/16SS###J

Mark	No.	Description	Part No.
C	217,221,222,225		DCH1201
C	220,223,224,305		CKSSYB104K10
C	307,309,316,321		DCH1201
C	308,310,314,315		CKSSYB104K10
C	318,320,323,324		CKSSYB104K10
C	319,411,416,419		CKSSYB103K16
C	322,325,407,409		DCH1201
C	405,408,410,414		CKSSYB104K10
C	415,418,420,423		CKSSYB104K10
C	417,421,422,425		DCH1201
C	424,501,504,505		CKSSYB104K10
C	503,511,514,542		DCH1201
C	506,517,555,559		CKSSYB471K50
C	507,510,515,522		CKSSYB104K10
C	508,516,518,519		CKSSYB103K16
C	521,524-531		CKSSYB103K16
C	532,724,726,728		CKSSYB102K50
C	533-536,538-540		CKSSYB103K16
C	537,750,1853,1857		CCSSCH101J50
C	541,553,554		CKSSYB104K10
C	544,755,764,1405		DCH1201
C	545-552,709,711		CKSSYB103K16
C	556-558,560,701		CKSSYB104K10
C	702,705,706,752		CKSSYB104K10
C	704,1214,1220,1221		CEVW470M16
C	707,708,1809,1810		CKSSYB471K50
C	713,719,721,723		CKSSYB103K16
C	725,727,729,731		CKSSYB103K16
C	730,732,734,736		CKSSYB102K50
C	733,735,737,739		CKSSYB103K16
C	738,740,742,744		CKSSYB102K50
C	741,743,745,747		CKSSYB103K16
C	746,748,1471,1824		CKSSYB102K50
C	749,751,754		CKSSYB103K16
C	756-762,1621,1623		CKSSYB103K16
C	763,765,767,768		CKSSYB104K10
C	1001,1209,1404,1407		CKSSYB104K10
C	1201		CEVW471M16
C	1202-1204,1206,1213		CEVW101M25
C	1205,1215,1218,1401		CKSSYB104K16
C	1207,1208,2814,2815		CKSRYB104K50
C	1210-1212,1270-1272		CCSSCH102J50
C	1216		CKSQYB334K50
C	1217		CCG1254
C	1219		CKSRYB105K16
C	1402,1409,2215,2229		CEVW470M16
C	1403,2416,2827,2828		CEVW101M16
C	1406,1415		CCSSCH470J50
C	1408,1449-1453,1456		DCH1201
C	1411,1413,1414,1454		CKSSYB104K10
C	1412		CEVW101M50
C	1417,1421,1422,1425		CKSSYB104K16
C	1419,2015,2022		CKSRYB105K10
C	1423,1424,1428,1470		CCG1182
C	1433-1435,1437		CKSSYB104K16
C	1436,1438,1442,1472		CCSRCH222J50
C	1439,1476,1479,1490		CCSSCH102J50
C	1444-1448		CKSSYB104K16
C	1455,1459,1602-1604		CKSSYB104K10

CAPACITORS

C	102,202,302,402	CCSSCH221J50
C	103,203,303,403	CKSRYB103K50
C	104,204,304,404	CCSSCH220J50
C	105,107,110-112	CKSSYB104K10
C	106,109,1605,1607	CCSSCH120J50
C	108,206,306,406	CCSSCH470J50
C	113,119,128,133	DCH1201
C	114,115,117,118	CKSSYB104K10
C	120,124,126,129	CKSSYB104K10
C	121,127,131,211	CKSSYB103K16
C	122,212,312,412	CKSRYB472K50
C	123,213,313,413	CKSRYB683K16
C	132,135,137	CKSSYB104K10
C	134,138,207,209	DCH1201
C	140-143,205,208	CKSSYB104K10
C	210,214,215,218	CKSSYB104K10
C	216,219,311,317	CKSSYB103K16

Mark	No.	Description	Part No.
	C	1492-1494,1813,2608	CCSSCH102J50
	C	1601,1625	ACG1127
	C	1606,1612,1619,1620	DCH1201
	C	1608,1609,1611	CKSSYB104K10
	C	1613-1617,1622,1801	CKSSYB104K10
	C	1802,1807,1808,1825	CKSSYB104K10
	C	1805,1806,1822,1827	DCH1201
	C	1811,2003-2006	CCSSCH120J50
	C	1815,1816	CCSRCK2R0C50
	C	1820	CCSSCH100D50
	C	1826,1830,1834,1837	CKSSYB102K50
	C	1828,1832,1835,1838	CKSSYB104K10
	C	1831,1846,1850,1852	CKSSYB103K16
	C	1840,1843,1847,3030	CKSSYB102K50
	C	1841,1844,1845,1848	CKSSYB104K10
	C	1849,1851,1854,1855	CKSSYB104K10
	C	1856,1859,1862-1868	CKSSYB103K16
	C	1858,1861,2001,2002	CKSSYB104K10
	C	2008-2010,2012-2014	CKSSYB104K10
	C	2016	CKSRYB152K50
	C	2017,2018,2036,2039	CKSSYB103K16
	C	2021,2406,2408,2413	DCH1201
	C	2023,2024,2032,2033	CKSSYB104K10
	C	2025-2031	CKSSYB471K50
	C	2035,2205-2210,2214	CKSSYB104K10
	C	2216-2228,2230,2231	CKSSYB104K10
	C	2234-2237,2401-2404	CKSSYB104K10
	C	2238,2405,2411,2807	CKSSYB103K16
	C	2407,2410,2412,2414	CKSSYB104K10
	C	2409,2841,2843,2845	CKSRYB474K10
	C	2415,2803	CKSRYB103K50
	C	2417,2802,3017,3407	CKSRYB104K25
	C	2601,2603-2605,2806	CKSSYB104K10
	C	2602,2873,3041	CCSSCH101J50
	C	2612	CCSSCH102J50
	C	2614,2801,2812,2813	DCH1201
	C	2804,2805,3010,3011	CCSRCH101J50
	C	2808,2809	CEHVAW101M16
	C	2810,2811,2855,2860	CEHVAW221M35
	C	2816,2817,2819-2822	CKSSYB104K10
	C	2818,2895,3002,3003	CKSSYB103K16
	C	2823-2826,3004,3007	DCH1201
	C	2829,2830	CEVW220M16
	C	2831-2834	CCSQCH562J50
	C	2835-2838,3210,3211	CCSRCH122J50
	C	2839,2840,2842,2844	CCSRCH181J50
	C	2846	CKSRYB474K10
	C	2847-2850	CKSRYB472K50
	C	2851-2853,2859	CCSRCH181J50
	C	2854,2856-2858,2889	CKSRYB104K50
	C	2861,2863,2865,2867	CKSRYB473K50
	C	2862,2864,2866,2868	CEHVAW471M16
	C	2869-2872	CCSRCH471J50
	C	2878,2879	CCG1236
	C	2880	CEHANP101M16
	C	2890,3016,3024,3026	CKSRYB104K50
	C	2896-2899,3044-3047	CFHXSQ472J16
	C	2900-2903,3230,3231	CEANP470M25
	C	3001,3005,3006,3201	CKSSYB104K10

Mark	No.	Description	Part No.
	C	3008,3009	CEVW100M50
	C	3012,3013	CCSQCH472J50
	C	3014,3015	CCSRCH152J50
	C	3018,3019,3220,3222	CCSRCH101J50
	C	3020,3023	CKSRYB334K10
	C	3021,3022,3039,3040	CEVWNP100M35
	C	3025,3027	CCG1195
	C	3028,3029	CCSRCH560J50
	C	3031	CKSSYB102K50
	C	3033,3035,3216,3218	CKSRYB104K50
	C	3034,3036	CCSRCH151J50
	C	3037,3038	CKSRYB473K25
	C	3042,3043	CEVWNP100M35
	C	3202,3203,3404	CKSSYB103K16
	C	3204,3205,3214,3215	CCSSCH121J50
	C	3206,3405	CKSSYB104K10
	C	3207,3406	DCH1201
	C	3212,3213,3244,3245	CCSRCH332J50
	C	3217,3219,3420,3423	CEVW101M25
	C	3224,3225,3232,3233	CKSRYB104K50
	C	3226,3228,3410-3413	CCSRCH101J50
	C	3234,3235	CEANP470M25
	C	3236,3241,3246,3247	CCSSCH121J50
	C	3237-3240	CFHXSQ472J16
	C	3242,3243	CCSRCH122J50
	C	3248,3249,3414,3415	CKSRYB104K50
	C	3408,3409	CCSSCH681J50
	C	3416,3417	CEVW101M16
	C	3418,3419	CCSRCH222J50
	C	3421,3422	CKSRYB104K50
	C	3426	CCSRCH101J50
	C	3429,3430	CCG1182

USBI ASSY
MISCELLANEOUS

L	3801	COIL	ATH7015
JA	3801	USB CONNECTOR	DKN1237
KN	3801	WRAPPING TERMINAL	CKF1089
CN	3801	L-PLUG (5P)	KM200NA5L

CAPACITORS

C	3801		DCH1201
C	3803,3806		CCSSCH101J50
C	3804,3805		CCSRCK2R0C50

HPJK ASSY
MISCELLANEOUS

JA	9201	HEADPHONE JACK	DKN1622
CN	9201	L-PLUG (4P)	KM200NA4L
0		PHONE SHIELD	DNF1875

RESISTORS

All Resistors			RS1/10SR###J
---------------	--	--	--------------

CAPACITORS

C	9203,9204		CKSRYB104K25
---	-----------	--	--------------

Mark	No.	Description	Part No.	Mark	No.	Description	Part No.
		J SEND ASSY					
		SEMICONDUCTORS					
A		IC 6401	AK4387ET	D	6680-6683,6693-6695	SLI-343YYW(TUV)	
		IC 6402	RNB4580F	D	6696,6697,6711,6712	SLR-343VC(NPQ)	
		Q 6401,6402	2SK209	D	6698-6701,6713-6716	SLI-343YYW(TUV)	
		Q 6403,6404	INC2002AC1	D	6702-6710,6717-6725	SLR-343MC(NPQ)	
				D	6726-6730	SLI-343M8G(GHJ)	
				D	6731,6734	SLI-343YYW(TUV)	
				D	6732	SLR343EC4T(LMN)	
				D	6733,6736-6741	SLR343BC4T(JK)	
				D	6742-6763	1SS352	
		MISCELLANEOUS					
		JA 6401,6402 MIC JACK	DKN1614				
		CN 6401 19P RECEPTACLE	AKP7199				
		0 PHONE SHIELD	DNF1875				
		RESISTORS					
B		R 6401-6404	RS1/10SR0R0J	L	6601 CHIP COIL	LCTAW330J2520	
		R 6414,6415,6418,6419	RS1/10SR4701D	V	6601 VFD	DEL1071	
		R 6416,6417,6420,6421	RS1/10SR4702D	VR	6601 VARIABLE RESISTOR	DCS1100	
		R 6422,6424	RS1/10SR4301D	VR	6602 POTENTIOMETER	DCS1092	
		R 6425,6426	RD1/2VM821J	VR	6603-6606 VARIABLE RESISTOR	DCS1100	
				VR	6607 ROTARY VR	DCS1086	
		R 6427,6428	RS1/10SR105J	VR	6608,6609 VARIABLE RESISTOR	DCS1100	
		R 6429,6430	RS1/10SR183J	VR	6610,6615,6619 POTENTIOMETER	DCS1095	
		Other Resistors	RS1/16SS###J	VR	6611-6614 VARIABLE RESISTOR	DCS1100	
				VR	6616-6618 VARIABLE RESISTOR	DCS1100	
		CAPACITORS		VR	6620 POTENTIOMETER	DCS1095	
C		C 6406,6407,6414,6415	CKSSYB104K16	S	6601-6611,6617-6620 TACT SWITCH	DSG1079	
		C 6412	CKSSYB103K16	S	6612 LEVER SWITCH	DSK1026	
		C 6413	DCH1201	S	6613-6616 ROTARY SWITCH	DSG1099	
		C 6416-6418	CEAT100M50	S	6621 SLIDE SWITCH	DSH1066	
		C 6419,6420	CCSQCH472J50				
				S	6622 ROTARY ENCODER	DSX1068	
		C 6421,6422	CCSRCH152J50	S	6623-6628 TACT SWITCH	DSG1079	
		C 6423,6426	CKSRYB334K10	X	6601 CERAMIC RESONATOR (20 MHz)	DSS1180	
		C 6424,6430	CEHAT100M50	CN	6601 12P CONNECTOR	VKN1243	
		C 6425,6428	CKSSYB103K25	CN	6602,6603 CONNECTOR 31P	52492-3120	
		C 6427,6429	CCSRCH560J50				
				CN	6609 PLUG (3P)	KM200NA3Y	
		C 6431,6432	CKSSYB473K16	CN	6610 PLUG (3P)	KM200NA3R	
		C 6433,6434	CEANP100M35	CN	6611 PLUG (3P)	KM200NA3	
		C 6435,6436	DCE1016	CN	6612 PLUG (3P)	KM200NA3E	
				0	FL HOLDER	DNF1869	
D		K PNLA ASSY					
		SEMICONDUCTORS					
		IC 6601	DYW1800	RESISTORS			
		IC 6602-6604	TC74HC4052AF	R	6616	RS1/10SR1202F	
		IC 6605	NJM2903M	R	6617	RS1/10SR8201D	
		Q 6601,6604,6638-6649	LSA1576UB	R	6884,6896-6899	RS1/4SA100J	
		Q 6602	2SD1898	R	6901-6905	RS1/4SA100J	
				Other Resistors		RS1/10SR###J	
		Q 6605-6621	LSC4081UB	CAPACITORS			
		Q 6622,6624,6626,6628	LTC143EUB	C	6601,6602,6608	CEJQ470M16	
		Q 6623,6625,6627,6629	2SB1188	C	6603,6604,6611,6618	CKSRYB104K16	
E		Q 6630,6632,6634,6636	LTC143EUB	C	6606,6622	CCSRCH102J50	
		Q 6631,6633,6635,6637	2SB1188	C	6607,6623,6629	CKSRYB103K50	
				C	6610,6612	CKSRYB104K50	
		Q 6650	LTA143EUB	C	6615-6617,6726,6727	CCSRCH101J50	
		Q 6651,6653	LTC143EUB	C	6619,6624,6625,6628	CKSRYB104K16	
		Q 6652,6654	LSA1576UB	C	6620,6621	CKSQYB225K10	
		D 6615,6616,6618-6623	1SS352	C	6626,6631	CKSRYB105K10	
		D 6624,6735	SLI-343U8RC(HJKL)	C	6627	CKSQYB106K6R3	
				C	6630,6632,6633	CKSRYB104K16	
		D 6625,6628-6631,6641	SLI-343YYW(TUV)	C	6640,6720-6725	CKSRYB103K16	
		D 6626,6627,6643,6644	SLR-343VC(NPQ)	C	6641-6644,6656-6663	CKSRYB104K16	
		D 6632-6640,6649-6657	SLR-343MC(NPQ)	C	6645	CEJQ101M16	
		D 6642,6645-6648,6658	SLI-343YYW(TUV)	C	6664-6675,6685-6696	CKSRYB471K50	
		D 6659,6660,6678,6679	SLR-343VC(NPQ)				
F				C	6676,6679,6680	CKSRYB104K16	
		D 6661-6664,6674-6677	SLI-343YYW(TUV)	C	6697-6719	CKSRYB104K16	
		D 6665-6673,6684-6692	SLR-343MC(NPQ)				

Mark	No.	Description	Part No.
	C 6728		CCG1255

L CDCB ASSY

SEMICONDUCTORS

IC 3601	AD7147ACPZ500RL7
D 3611	SMLC14WBEPW(Z1)

MISCELLANEOUS

CN 3601 12P CONNECTOR	VKN1416
-----------------------	---------

RESISTORS

All Resistors	RS1/16SS###J
---------------	--------------

CAPACITORS

C 3602	CKSSYB103K25
C 3603	CKSSYB104K16
C 3604	DCH1201

M FAD1 ASSY

MISCELLANEOUS

VR 7201 SLIDE VR	DCV1027
CN 7201 PLUG (3P)	KM200NA3

N FAD2 ASSY

MISCELLANEOUS

VR 7401 SLIDE VR	DCV1027
CN 7401 PLUG (3P)	KM200NA3R

O FAD3 ASSY

MISCELLANEOUS

VR 7601 SLIDE VR	DCV1027
CN 7601 PLUG (3P)	KM200NA3E

P FAD4 ASSY

MISCELLANEOUS

VR 7801 SLIDE VR	DCV1027
CN 7801 PLUG (3P)	KM200NA3Y

Q PNLB ASSY

SEMICONDUCTORS

Q 7001,7002	LSC4081UB
D 7001-7005,7007	SLI-343YYW(TUV)
D 7008-7027	1SS352

MISCELLANEOUS

VR 7001,7004 ROTARY VR	DCS1086
VR 7002,7003 VARIABLE RESISTOR	DCS1100
S 7001 12MM GS ENCODER	DSX1064
S 7002 ROTARY SWITCH	DSG1098
S 7003-7007 TACT SWITCH	DSG1079

S 7008,7014 SLIDE SWITCH	DSH1066
S 7009-7013,7015 SLIDE SWITCH	DSH1058
CN 7001 CONNECTOR	9604S-31C
CN 7002 PLUG (3P)	KM200NA3

RESISTORS

All Resistors	RS1/10SR###J
---------------	--------------

Mark	No.	Description	Part No.
------	-----	-------------	----------

CAPACITORS

C 7002,7005,7008,7010	CKSRYB104K16
C 7004,7006	CEJQ470M16
C 7007,7009	CKSRYB103K50
C 7012,7015,7016,7018	CKSRYB104K16

R FADC ASSY

MISCELLANEOUS

VR 8001 VARIABLE RESISTOR	DCV1006
CN 8001 L-PLUG (3P)	KM200NA3L

S POWER SUPPLY ASSY

There is no service parts.

T ACSW ASSY

MISCELLANEOUS

⚠ S 9401 SWITCH	DSA1036
⚠ CN 9401 CONNECTOR2P	2-178496-4
⚠ 0 MASK	DEC3212
⚠ JP 9401 CONNECTOR ASS'Y	DKP3799

CAPACITORS

⚠ C 9402	ACG7030
----------	---------