

9. EXPLODED VIEWS AND PARTS LIST

NOTES: ● Parts marked by "NSP" are generally unavailable because they are not in our Master Spare Parts List.

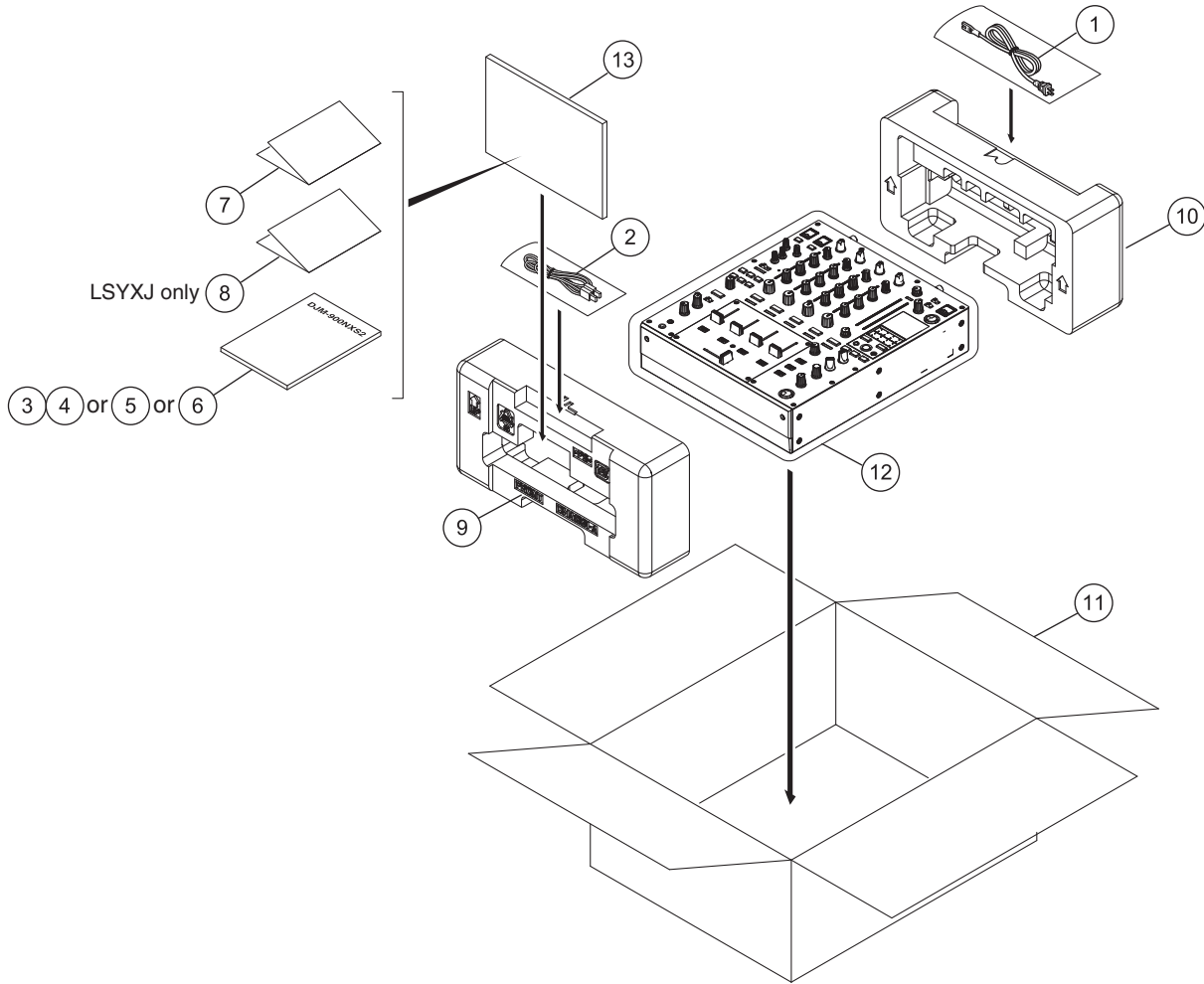
● The \triangle mark found on some component parts indicates the importance of the safety factor of the part. Therefore, when replacing, be sure to use parts of identical designation.

● Screws adjacent to ∇ mark on product are used for disassembly.

● For the applying amount of lubricants or glue, follow the instructions in this manual.

(In the case of no amount instructions, apply as you think it appropriate.)

9.1 PACKING SECTION



(1) PACKING SECTION PARTS LIST

<u>Mark No.</u>	<u>Description</u>	<u>Part No.</u>	<u>Mark No.</u>	<u>Description</u>	<u>Part No.</u>
⚠	1 Power Cord	See Contrast table	NSP 8	Warranty	See Contrast table
	2 USB Cable	DDE1128	9	Packing Pad	DHA1931
	3 Operating Instructions (Quick Start Guide)	See Contrast table	10	Packing Pad	DHA1932
	4 Operating Instructions (Quick Start Guide)	See Contrast table	11	Packing Case	See Contrast table
	5 Operating Instructions (Quick Start Guide)	See Contrast table	12	Packing Sheet	RHC1023
	6 Operating Instructions (Quick Start Guide)	See Contrast table	NSP 13	Polyethylene Bag	AHG7117
NSP 7	Leaflet	See Contrast table			

(2) CONTRAST TABLE

DJM-900NXS2/LSYXJ, UXJCB and XJCN are constructed the same except for the following:

Mark	No.	Symbol and Description	DJM-900NXS2 /LSYXJ	DJM-900NXS2 /UXJCB	DJM-900NXS2 /XJCN
⚠	1	Power Cord	ADG1244	DDG1108	DDG1114
	3	Operating Instructions (Quick Start Guide)(En, Fr, De, It)	DRH1331	Not used	Not used
	4	Operating Instructions (Quick Start Guide)(NI, Es, Pt, RU)	DRH1332	Not used	Not used
	5	Operating Instructions (Quick Start Guide)(En)	Not used	DRH1330	Not used
	6	Operating Instructions (Quick Start Guide)(Zhc)	Not used	Not used	DRH1333
NSP	7	Leaflet	DRH1275	DRH1275	DRH1274
NSP	8	Warranty	ARY7158	Not used	Not used
	11	Packing Case	DHG3429	DHG3445	DHG3447

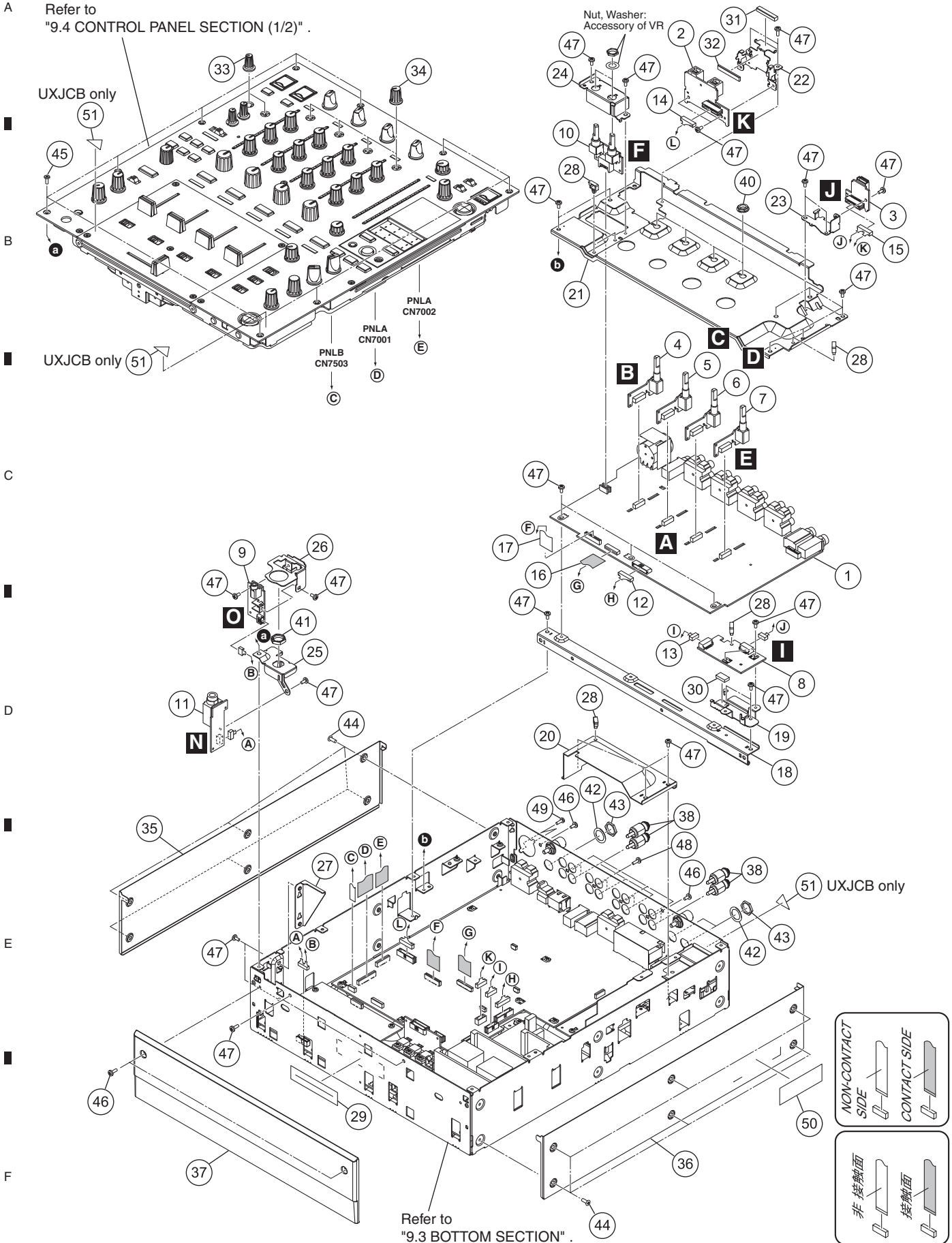
9.2 EXTERIOR SECTION

1

2

3

4



1

2

3

4

(1) EXTERIOR SECTION PARTS LIST

<u>Mark No.</u>	<u>Description</u>	<u>Part No.</u>	<u>Mark No.</u>	<u>Description</u>	<u>Part No.</u>
1	AINB Assy	DWX3713	26	Stay	DNF1967
2	USBB Assy	DWX3711	27	Stay	DNF1968
3	USBC Assy	DWX3712	28	Locking Mini Clamp	DEC2439
4	TRM1 Assy	DWX3715	29	Fader Packing	DEC2903
5	TRM2 Assy	DWX3716	30	Sheet	DEC3621
6	TRM3 Assy	DWX3717	31	EMC Gasket	DEC3637
7	TRM4 Assy	DWX3718	32	EMC Gasket	DEC3638
8	USBP Assy	DWX3734	33	Knob	DAA1354
9	HPJM Assy	DWX3739	34	Knob/CH	DAA1321
10	MTRM Assy	DWX3729	35	Panel	DNF1956
11	HPJK Assy	DWX3731	36	Panel	DNF1957
12	Crimp Connector	PF10PP-D07	37	Panel	DNK6509
13	Connector Assy	PF06PP-S12	38	Plug/Pin	DKM1024
14	Shielded Conn-Cable	DDA1054	39	•••••	
15	Shielded Conn-Cable	DDA1056	40	Flange Nut M7	DBN1011
16	40P FFC	DDD1550	41	Nut M12	DBN1018
17	FFC	DDD1715	42	Washer	DEC2920
18	Stay	DNF1960	43	Nut	NKX2FTC
19	Stay	DNF1951	44	Screw (FE)	DBA1290
20	Case	DNF1952	45	Screw	DBA1446
21	Stay	DNF1953	46	Screw	BBZ30P060FTB
22	Stay	DNF1954	47	Screw	BBZ30P060FTC
23	Stay	DNF1955	48	Screw	BPZ30P080FTB
24	Stay	DNF1958	49	Screw	PPZ30P080FTB
25	Stay	DNF1966	NSP 50	Name Label	See Contrast table
			NSP 51	Label	See Contrast table

(2) CONTRAST TABLE

DJM-900NXS2/LSYXJ, UXJCB and XJCN are constructed the same except for the following:

Mark	No.	Symbol and Description	DJM-900NXS2 /LSYXJ	DJM-900NXS2 /UXJCB	DJM-900NXS2 /XJCN
NSP	50	Name Label	DRW2687	DRW2675	DRW2674
NSP	51	Label	Not used	DRW1975	Not used

9.3 BOTTOM SECTION

A

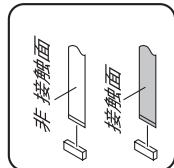
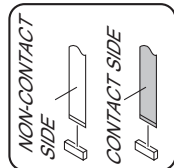
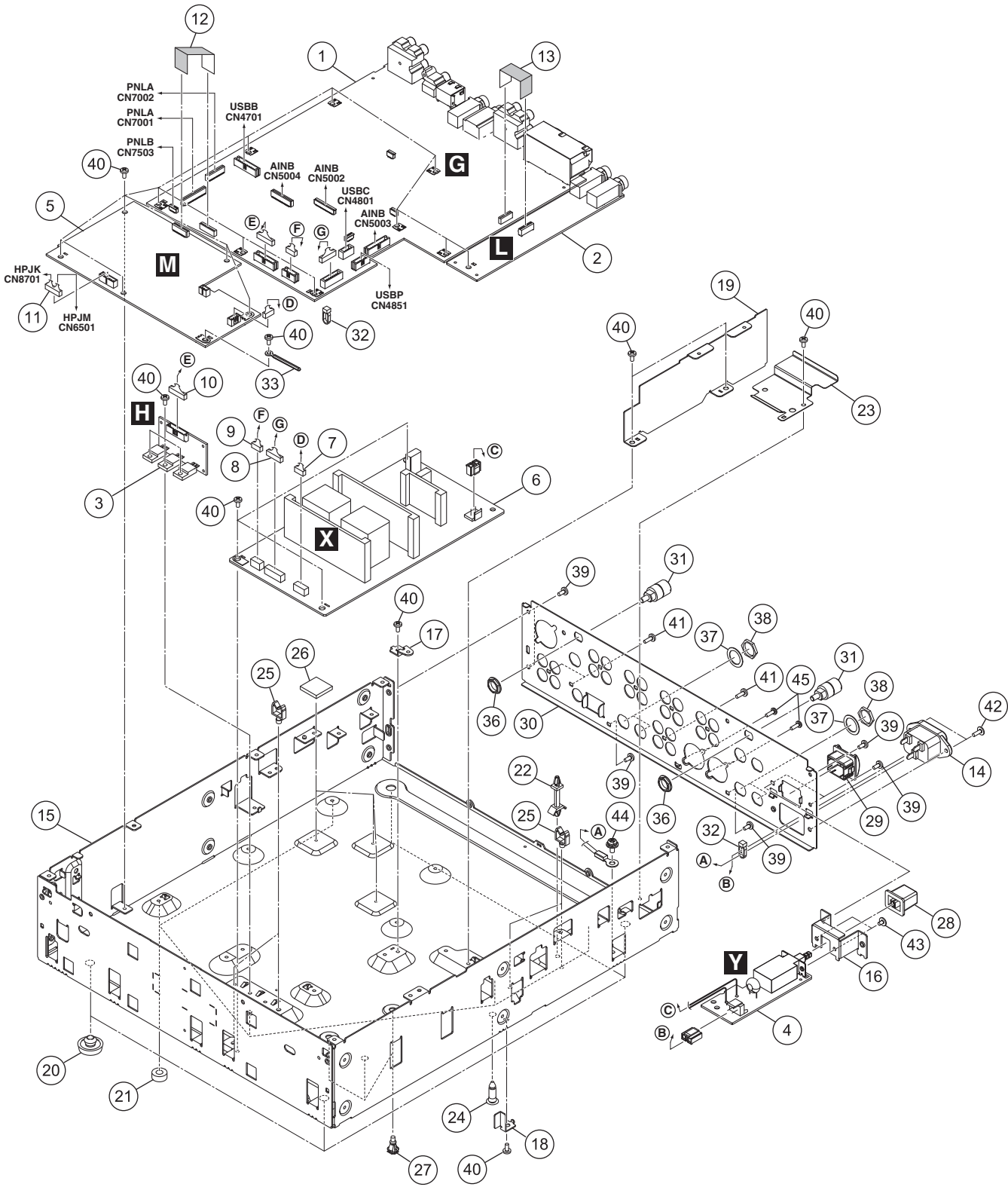
B

C

D

E

F



BOTTOM SECTION PARTS LIST

<u>Mark No.</u>	<u>Description</u>	<u>Part No.</u>	
1	MAIN Assy	DWX3710	
2	SEND Assy	DWX3714	A
3	REGB Assy	DWX3721	
4	ACSW Assy	DWX3722	
5	HPPW Assy	DWX3728	
⚠	6 SW POWER SUPPLY	DWR1549	
	7 Crimp Connector	PF05PP-S25	
	8 Crimp Connector	PF08PP-S20	
	9 Connector Assy	PF04PP-S12	
	10 Crimp Connector	PF09PP-S07	
	11 Shielded Conn-Cable	DDA1061	B
	12 FFC	DDD1714	
	13 FFC	DDD1716	
⚠	14 AC Inlet	DKP3978	
	15 Chassis	DNA1457	
	16 Bracket PSW	DNF1759	
NSP	17 PCB Stay (FE)	VNE2489	
	18 Stay	DNF1950	
	19 Shield Plate	DNF1959	
	20 Foot (Rubber)	REC-434	C
NSP	21 Spacer	AEB7092	
NSP	22 PCB Spacer	AEC1446	
	23 Sheet	DEC3617	
	24 PCB Holder	PNW2029	
	25 Holder	VEC1355	
	26 Sheet	DEC3618	
	27 Spacer	DEC3636	
	28 Power Knob	DAC2306	
	29 Power Knob Guard	DNK4534	D
	30 Rear Panel	DNC2119	
	31 Earth Terminal	DKE1019	
	32 Cable Tie	ZCA-SKB90BK	
	33 Cord Clamper (Steel)	RNH-184	
	34 •••••		
	35 •••••		
	36 Flange Nut M9	DBN1008	
	37 Washer	DEC2920	
	38 Nut	NKX2FTC	E
	39 Screw	BBZ30P060FTB	
	40 Screw	BBZ30P060FTC	
	41 Screw	BPZ30P080FTB	
	42 Screw	IBZ30P080FTB	
	43 Screw	IMZ30P040FTC	
	44 Screw	PMH40P080FTC	
	45 Screw	PPZ30P080FTB	

9.4 CONTROL PANEL SECTION (1/2)

1

2

3

4

A

B

C

D

E

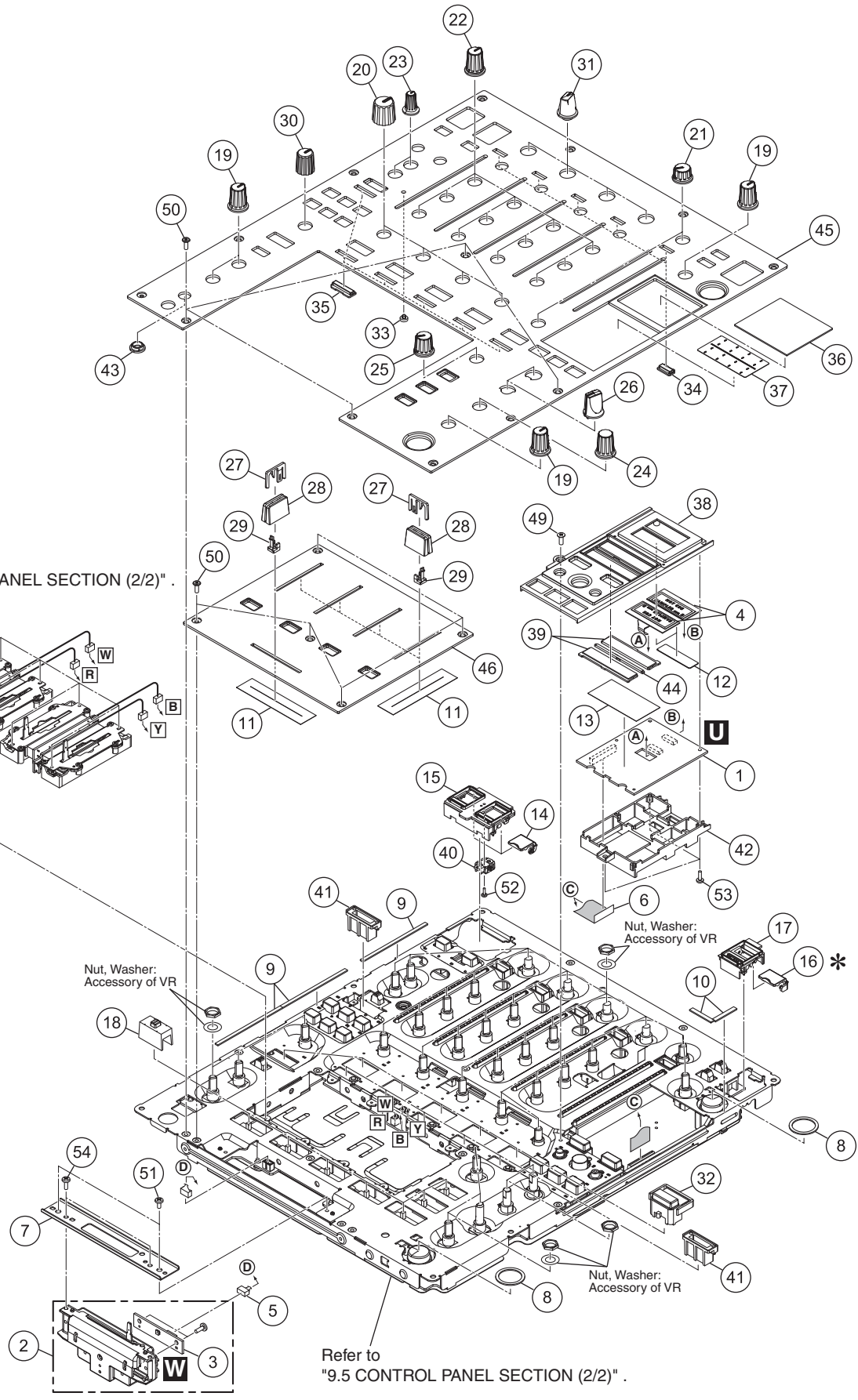
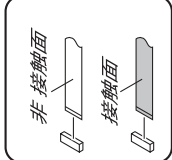
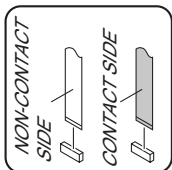
F

Refer to
"9.5 CONTROL PANEL SECTION (2/2)" .

Nut, Washer:
Accessory of VR

Nut, Washer:
Accessory of VR

Refer to
"9.5 CONTROL PANEL SECTION (2/2)" .



1

2

3

4

5 6 7 8

CONTROL PANEL SECTION (1/2) PARTS LIST



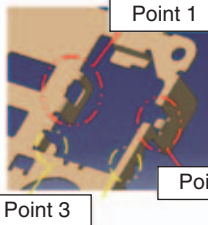
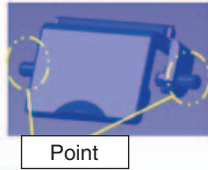
<u>Mark No.</u>	<u>Description</u>	<u>Part No.</u>	<u>Mark No.</u>	<u>Description</u>	<u>Part No.</u>
1	CDCB Assy	DWX3733	26	Select Knob	DAA1205
2	1..CROSS FADER Assy	DXA2257	27	Slider Knob 2	DAC2685
NSP 3	2..CRFD Assy	DWX3258	28	Slider Knob 1	DAC2684
4	Matrix OEL	MXS4057	29	Slider Knob Stopper	DNK5888
5	Connector Assy	PF03PP-B07	30	Knob (RES)	DAA1250
6	FFC	DDD1719	31	Knob	DAA1345
7	Stay/CRF	DNF1927	32	Button/CUE	DAC2882
8	SW Packing (EF)	DEC2929	33	Lens	DNK4532
9	Packing/L	DEC3416	34	Lens	DNK6516
10	Packing/S	DEC3417	35	Lens	DNK6517
11	Fader Packing	DEC2903	36	Plate	DAK1003
12	Sheet	DEC3615	37	Panel	DNK6514
13	Tape	DEH1083	38	Panel	DNK6515
14	Lid	DNK6550	39	Lens	DNK6518
15	Panel	DNK6539	40	Holder	DNK6549
16	Lid	See Contrast table *	41	Holder	DNK6512
17	Panel	DNK6651	42	Holder	DNK6513
18	Slide SW Cap (W)	DAC2401	43	Holder	DNK6552
19	Rotary Knob (BN)	DAA1220	44	Lens	DNK6553
20	Knob/FRE	DAA1309	45	Control Panel	DNB1243
21	Rotary Knob Low (BN)	DAA1265	46	Panel	DAH3053
22	Knob/RSW	DAA1305	47	•••••	
23	Knob/RSW	DAA1307	48	•••••	
24	Rotary SW Knob (C)	DAA1180	49	Screw (FE)	DBA1290
25	Rotary SW Knob (MA)	DAA1198	50	Screw	DBA1446
			51	Screw	BBZ30P060FTC
			52	Screw	BPZ20P060FTC
			53	Screw	BPZ26P080FTC
			54	Screw	BPZ30P080FTB
			55	Screw	BSZ20P040FTB

Note*:

The shape of the lid (No.16) has been changed to improve the quality of attachment. Check [Before change] and [After change] rows in the table below and choose the lid and stay (No.8 on the next page) to replace.

Contrast table

Mark	No.	Part Name		Part No.	Stay	Note
	16	Lid	Before Change	DNK6551	DND1286 (NSP)	For details of each part, refer to the table below.
			After Change	DNK6652	DND1308	

Before change	After change	Note
Stay (DND1286)  Lid (DNK6551) 	Stay (DND1308)  Lid (DNK6652) 	Number of units before change: LSYXJ: 4,000 UXJCB: 2,000 XJCN: 100 (The number of units is approximate. Serial number is unavailable.)

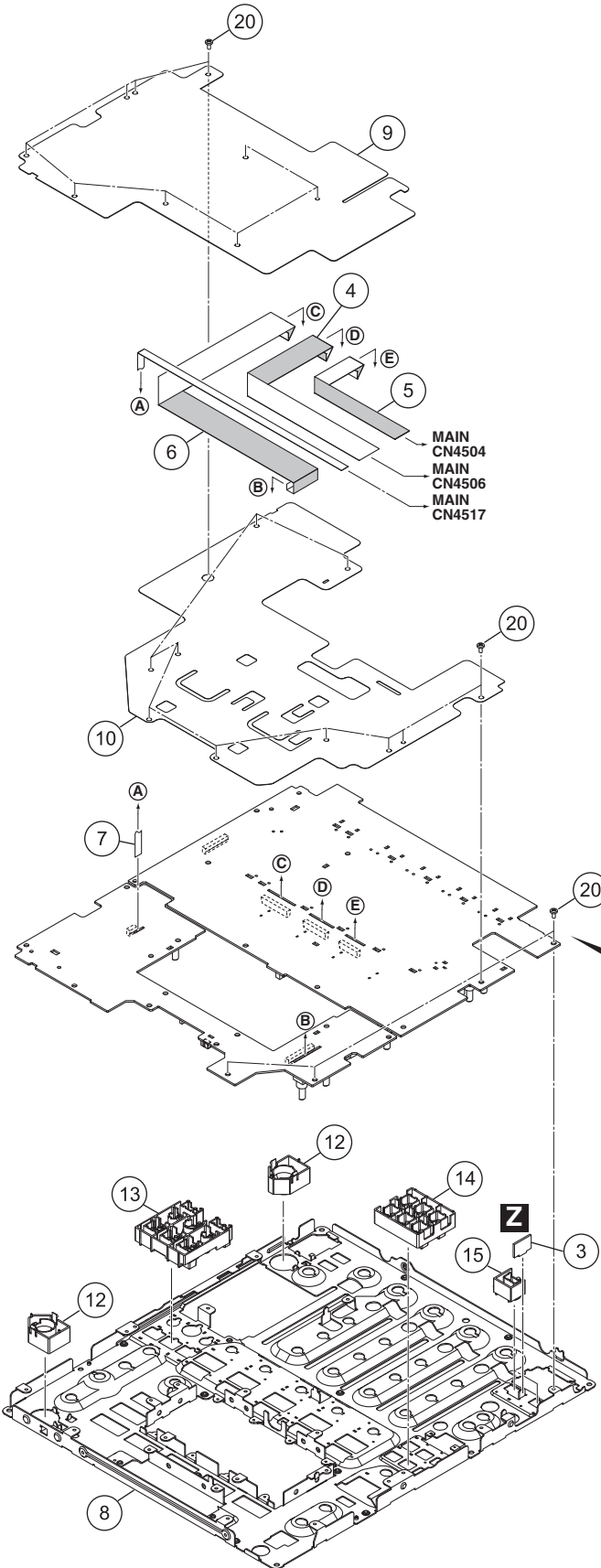
DJM-900NXS2

5 6 7 8

69

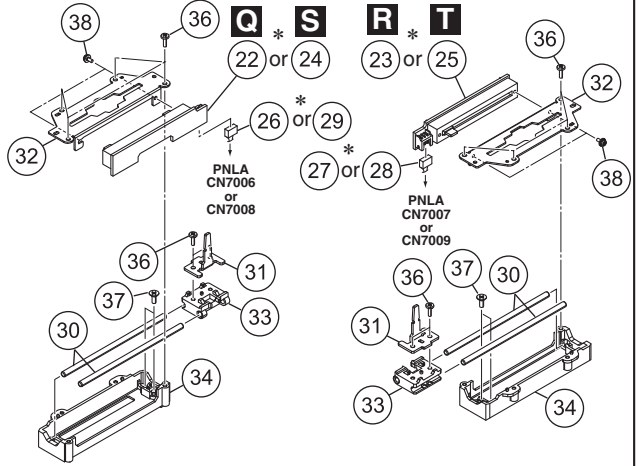
9.5 CONTROL PANEL SECTION (2/2)

A • Bottom view

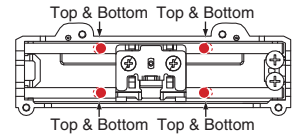


Channel Fader Section

*: These parts may substitute it each other.
*: 相互で代用可能

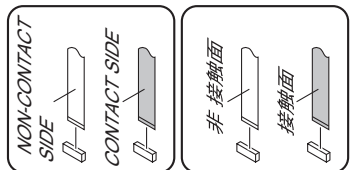
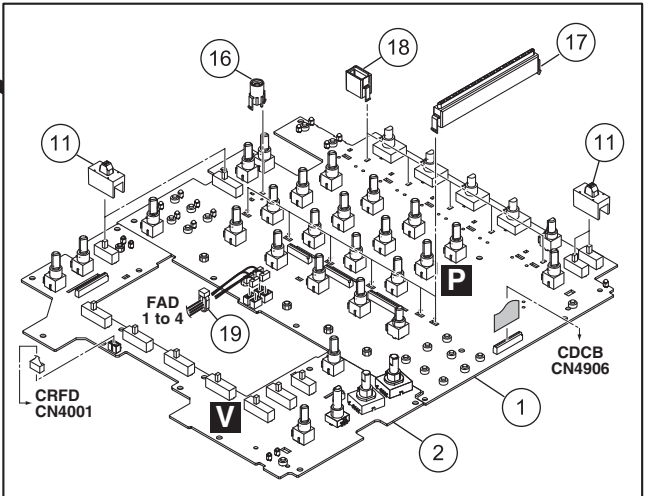


Lubricating oil (GYA1001)



Note:
Greasing must be performed at a total of 8 points, 2 points each for the upper and bottom places of each shaft. (0.4 to 1 mg per point × 8 points)
After applying grease, move the slider base back and forth from one end to the other for approximately 10 to 20 strokes, in order to fully spread the grease.

注意:
グリス塗布位置は各シャフト上下2箇所ずつ計8箇所です。
(1ポイント当たり 0.4~1 mg × 8ポイント)
グリス塗布後はスライダーベースを動かして(フルストローク)
摺動部にグリスを十分にまかせてください。
(動かす回数目安は10~20往復)



CONTROL PANEL SECTION (2/2) PARTS LIST

<u>Mark No.</u>	<u>Description</u>	<u>Part No.</u>	
1	PNLA Assy	DWX3719	
2	PNLB Assy	DWX3720	A
3	GRDM Assy	DWX3862	
4	FFC	DDD1717	
5	FFC	DDD1718	
6	FFC	DDD1720	
7	FFC	DDD1738	
8	Stay	DND1308	
9	Sheet	DEC3616	
10	Sheet	DEC3620	
11	Cap	DAC3136	B
12	Button	DAC3141	
13	Button	DAC3142	
14	Button	DAC3143	
15	Button	DAC3144	
16	Lens Holder	DNK4533	
17	Level Meter Assy	DXB1882	
18	Holder	DNK6511	
19	Cable Tie	ZCA-SKB90BK	
20	Screw	BBZ30P060FTC	C
21	•••••		
22	FAD1 Assy	DWX3723	
23	FAD2 Assy	DWX3724	
24	FAD3 Assy	DWX3725	
25	FAD4 Assy	DWX3726	
26	Connector Assy	PF03PP-B10	
27	Crimp Connector	PF03PP6B10	
28	Connector Assy	PF03PP4B12	
29	Connector Assy	PF03PP2B12	D
NSP 30	Guide Shaft VK1	DLA1978	
31	Lever Plate	DNH2954	
32	VR Stay	DNH2955	
33	Slider Base	DNK5851	
34	Shaft Holder	DNK5852	
35	•••••		
36	Screw	BPZ20P060FTC	
37	Screw	CPZ26P080FTC	E
38	Screw	PMH20P040FTC	

12. PCB PARTS LIST

NOTES: ● Parts marked by "NSP" are generally unavailable because they are not in our Master Spare Parts List.

● The Δ mark found on some component parts indicates the importance of the safety factor of the part. Therefore, when replacing, be sure to use parts of identical designation.

● When ordering resistors, first convert resistance values into code form as shown in the following examples.

Ex.1 When there are 2 effective digits (any digit apart from 0), such as 560 ohm and 47 k ohm (tolerance is shown by J = 5%, and K = 10%).

$560 \Omega \rightarrow 56 \times 10^1 \rightarrow 561 \dots\dots\dots RD1/APU \boxed{5} \boxed{6} \boxed{7} J$
 $47 \text{ k}\Omega \rightarrow 47 \times 10^3 \rightarrow 473 \dots\dots\dots RD1/APU \boxed{4} \boxed{7} \boxed{3} J$
 $0.5 \Omega \rightarrow R50 \dots\dots\dots RN2H \boxed{R} \boxed{5} \boxed{0} K$
 $1 \Omega \rightarrow 1R0 \dots\dots\dots RS1P \boxed{1} \boxed{R} \boxed{0} K$

Ex.2 When there are 3 effective digits (such as in high precision metal film resistors).

$5.62 \text{ k}\Omega \rightarrow 562 \times 10^1 \rightarrow 5621 \dots\dots\dots RN1/4PC \boxed{5} \boxed{6} \boxed{2} \boxed{1} F$

Mark No.	Description	Part No.	Mark No.	Description	Part No.
LIST OF ASSEMBLIES					
NSP	1..MOTHER ASSY	DWM2574	IC 5101,5308,5508,5708		NJM4565MD
	2..MAIN ASSY	DWX3710	IC 5102,5105,5305,5505		AK5358AET
	2..USBB ASSY	DWX3711	IC 5103,5104,5201,5203		NJM4580MD
	2..USBC ASSY	DWX3712	IC 5202,5204,5402,5404		NJM8901E
	2..USBP ASSY	DWX3734	IC 5301,5302,5501,5502		NJM2121MD
			IC 5303,5304,5401,5403		NJM4580MD
NSP	1..AUDIO ASSY	DWM2575	IC 5306,5506,5706,5906		CS5381-KZ
	2..AINB ASSY	DWX3713	IC 5307,5507,5707,5907		TC7WH157FK
	2..SEND ASSY	DWX3714	IC 5503,5504,5601,5603		NJM4580MD
	2..TRM1 ASSY	DWX3715	IC 5602,5604,5802,5804		NJM8901E
	2..TRM2 ASSY	DWX3716	IC 5701,5702,5901,5902		NJM2121MD
			IC 5703,5704,5801,5803		NJM4580MD
	2..TRM3 ASSY	DWX3717	IC 5705,5905		AK5358AET
	2..TRM4 ASSY	DWX3718	IC 5903,5904		NJM4580MD
	2..HPJM ASSY	DWX3739	IC 5908		NJM4565MD
	1..PNLA ASSY	DWX3719	Q 5001,5002		LSC4081UB
NSP	1..SUB ASSY	DWM2576	Q 5001,5002		LSCR523UB
	2..PNLB ASSY	DWX3720	Q 5001,5002		2SC4154-11
	2..REGB ASSY	DWX3721	Q 5003-5006		LTC114EUB
	2..ACSW ASSY	DWX3722	Q 5101-5104		2SK209
	2..FAD1 ASSY	DWX3723	Q 5201,5202,5401,5402		KTC801U
	2..FAD2 ASSY	DWX3724	Q 5203,5204,5403,5404		2SK3320
	2..FAD3 ASSY	DWX3725	Q 5205,5405,5605,5805		RT1N241M
	2..FAD4 ASSY	DWX3726	Q 5205,5405,5605,5805		LTC124EUB
	2..MTRM ASSY	DWX3729	Q 5601,5602,5801,5802		KTC801U
	2..GRDM ASSY	DWX3862	Q 5603,5604,5803,5804		2SK3320
			D 5106-5109,5301-5306		RB706F-40
NSP	1..HPAB ASSY	DWM2577	D 5209,5210,5409,5410		DA2J101
	2..HPPW ASSY	DWX3728	D 5209,5210,5409,5410		1SS355VM
	2..HPJK ASSY	DWX3731	D 5501-5506,5701-5706		RB706F-40
	1..CDCB ASSY	DWX3733	D 5609,5610,5809,5810		DA2J101
			D 5609,5610,5809,5810		1SS355VM
E	1..CROSS FADER ASSY	DXA2257	D 5901-5906		RB706F-40
	2..CRFD ASSY	DWX3258			

MISCELLANEOUS

JA 5101	6.5 DIA JACK	DKN1654
JA 5102	6.5 DIA JACK	DKN1652
JA 5103	XLR SOCKET	DKB1124
JA 5104	6.5 DIA JACK	DKN1653
JA 5201,5401,5601,5801	RCA JACK/4P	DKB1112

Mark No.	Description	Part No.
----------	-------------	----------

KN 5001-5003	EARTH TERMINAL	AKF7002
RY 5201,5401,5601,5801	RELAY	VSR1008
CN 5002	FFC CONNECTOR	VKN1811
CN 5003	L-PLUG(10P)	KM200NA10L
CN 5004	FFC/FPC CONNECTOR	DKN1663

A AINB ASSY

SEMICONDUCTORS

IC 5001-5003,5005-5009	TC7SH08FUS1
IC 5004	TC74VHC74FK
IC 5010	MM3571A33P

Mark No.	Description	Part No.	Mark No.	Description	Part No.
	CN5101 CONNECTOR	CKS3561			
	CN5201,5401 B TO B 11PIN PLUG	AKM7101	R	5637,5638,5837,5838	RN1/16SE7500D
	CN5601,5801 B TO B 11PIN PLUG	AKM7101	R	5643,5644,5843,5844	RN1/16SE6800D
	VA 5101-5104 VARISTORS	EZJZ1V270RM	R	5645,5646,5649,5650	RS1/10SR473J
			R	5647,5648,5847,5848	RN1/16SE7502D
			R	5655,5656,5855,5856	RN1/16SE6801D
RESISTORS					
R	5028-5030	RS1/4SA130J			
R	5101,5102	RS1/10SR101J	R	5701-5703,5707	RN1/16SE3302D
R	5103,5104,5301-5303	RN1/16SE3302D	R	5704,5708,5904,5908	RN1/16SE4701D
R	5105,5106	RN1/16SE1502D	R	5705,5706,5905,5906	RN1/16SE1202D
R	5109,5154	RAB4CQ103J	R	5709-5716,5909-5916	RN1/16SE1501D
			R	5717,5719,5721,5723	RN1/16SE2200D
R	5115,5116,5151	RS1/10SR0R0J			
R	5117-5124,5202	RN1/16SE1000D	R	5718,5720,5722,5724	RN1/16SE1001D
R	5125-5128,5231,5232	RN1/16SE1002D	R	5725-5728,5819,5820	RN1/16SE1201D
R	5129,5130,5143,5144	RN1/16SE2701D	R	5731,5732,5735,5736	RN1/16SE1001D
R	5131,5133,5137,5138	RN1/16SE1501D	R	5734,5737,5930,5933	RN1/16SE2700D
			R	5808-5810	RN1/16SE1000D
R	5132,5134,5140,5142	RN1/16SE4701D			
R	5135,5136	RN1/16SE8200D	R	5813-5815	RN1/16SE4702D
R	5139,5141	RN1/16SE1500D	R	5822,5824,5925-5928	RN1/16SE1201D
R	5145,5146	RN1/16SE3900D	R	5831,5832	RN1/16SE1002D
R	5147,5148	RN1/16SE3301D	R	5845,5846,5849,5850	RS1/10SR473J
			R	5901-5903,5907	RN1/16SE3302D
R	5149,5150,5330,5333	RN1/16SE2700D			
R	5203,5204,5403,5404	RN1/16SE2201D	R	5917,5919,5921,5923	RN1/16SE2200D
R	5205,5207,5212,5405	RN1/16SE4700D	R	5918,5920,5922,5924	RN1/16SE1001D
R	5206,5213-5215,5406	RN1/16SE4702D	R	5931,5932,5935,5936	RN1/16SE1001D
R	5208-5210,5402	RN1/16SE1000D	R	5934,5937	RN1/16SE2700D
				Other Resistors	RS1/16SS###J
R	5219,5220,5222,5224	RN1/16SE1201D			
R	5221,5223,5421,5423	RS1/10SR470J	CAPACITORS		
R	5225-5228,5425-5428	RN1/16SE2001D	C	5003,5016,5020,5027	CCSSCH102J50
R	5237,5238,5437,5438	RN1/16SE7500D	C	5004,5009-5015,5017	CKSSYB104K16
R	5243,5244,5443,5444	RN1/16SE6800D	C	5006,5156	CEAT101M16
			C	5019,5021,5022,5028	CKSSYB104K16
R	5245,5246,5249,5250	RS1/10SR473J	C	5025,5026	CCG1328
R	5247,5248,5447,5448	RN1/16SE7502D			
R	5255,5256,5455,5456	RN1/16SE6801D	C	5030	CEAT221M10
R	5304,5308,5504,5508	RN1/16SE4701D	C	5031,5035,5103,5104	CCSSCH102J50
R	5305,5306,5505,5506	RN1/16SE1202D	C	5033,5037	CKSYB104K25
			C	5034,5038,5332,5346	ACH1480
			C	5041-5044	CKSRBY104K16
R	5307,5501-5503,5507	RN1/16SE3302D	C	5101,5102	CCSSCH101J50
R	5309-5316,5509-5516	RN1/16SE1501D	C	5105,5108	CEAT470M25
R	5317,5319,5321,5323	RN1/16SE2200D	C	5106,5107,5142,5143	CKSSYB103K25
R	5318,5320,5322,5324	RN1/16SE1001D	C	5109,5110	CEAT220M50
R	5325-5328,5419,5420	RN1/16SE1201D	C	5111,5113,5117,5157	DCH1201
R	5331,5332,5335,5336	RN1/16SE1001D	C	5114,5115,5118,5158	CKSSYB104K16
R	5334,5337,5530,5533	RN1/16SE2700D	C	5116,5344,5544,5744	CEHAZL101M10
R	5359,5559,5759,5959	RS1/10SR5R1J	C	5119	CKSSYB102K50
R	5407,5412,5605,5607	RN1/16SE4700D	C	5120,5121,5341,5342	CKSSYB103K16
R	5408-5410,5602	RN1/16SE1000D	C	5122,5123,5126,5127	ACE7113
R	5413-5415,5606	RN1/16SE4702D	C	5124,5125,5128-5137	CCSRCH102J50
R	5422,5424,5525-5528	RN1/16SE1201D	C	5138,5139	CKSSYB471K50
R	5431,5432,5631,5632	RN1/16SE1002D	C	5140,5141,5146,5147	CCSSCH471J50
R	5445,5446,5449,5450	RS1/10SR473J	C	5144,5145	CKSSYB331K50
R	5517,5519,5521,5523	RN1/16SE2200D	C	5148,5149	CKSRBY104K25
R	5518,5520,5522,5524	RN1/16SE1001D	C	5150,5151	CEJQNP100M35
R	5531,5532,5535,5536	RN1/16SE1001D	C	5154,5155	CEJQ100M35
R	5534,5537,5730,5733	RN1/16SE2700D	C	5159,5161,5321,5334	DCH1201
R	5603,5604,5803,5804	RN1/16SE2201D	C	5160,5162,5243,5337	CKSSYB104K16
R	5608-5610,5802	RN1/16SE1000D	C	5163	CKSSYB103K25
R	5612,5805,5807,5812	RN1/16SE4700D			
R	5613-5615,5806	RN1/16SE4702D	C	5164	CKSRBY103K25
R	5619,5620,5622,5624	RN1/16SE1201D	C	5165,5328,5333,5528	CKSRBY102K50
R	5621,5623,5821,5823	RS1/10SR470J	C	5201-5203,5206	CCSRCH221J50
R	5625-5628,5825-5828	RN1/16SE2001D			

Mark	No.	Description	Part No.
	C	5204,5205,5404,5405	CCSRCH102J50
	C	5207,5208,5407,5408	CCSRCH101J50
A	C	5209,5210,5409,5410	CEHAT101M25
	C	5211,5212,5411,5412	CKSRYPB223K50
	C	5219,5221,5227,5228	ACE7100
	C	5220,5224,5420,5424	CEHAT221M16
	C	5229,5234,5307,5316	CEHAZL101M25
	C	5231,5232,5248,5249	CKSRYPB104K50
	C	5235,5236,5435,5436	DCE1027
	C	5237,5238,5437,5438	CEANP100M35
	C	5239,5240,5439,5440	ACE7128
	C	5241,5242,5441,5442	DCH1320
B	C	5250,5251,5450,5451	CEHAZL220M50
	C	5301-5304,5308-5311	CKSRYPB104K50
	C	5305,5306,5505,5506	CEHAR100M35
	C	5312-5315,5512-5515	CCSSCH102J50
	C	5322,5345,5351,5431	CKSRYPB104K50
	C	5327,5527,5727,5927	CCG1218
	C	5329,5330,5335,5529	CKSRYPB103K50
	C	5336,5536,5736,5936	ACE7113
	C	5338,5350,5443,5537	CKSSYB104K16
	C	5339,5340,5539,5540	CCSRCH222J50
	C	5343,5543,5743,5943	CEHAZL331M6R3
	C	5401-5403,5406	CCSRCH221J50
	C	5419,5421,5427,5428	ACE7100
	C	5429,5434,5507,5516	CEHAZL101M25
	C	5432,5448,5449	CKSRYPB104K50
	C	5501-5504,5508-5511	CKSRYPB104K50
	C	5521,5534,5721,5734	DCH1201
	C	5522,5545,5551,5631	CKSRYPB104K50
	C	5530,5535,5729,5730	CKSRYPB103K50
	C	5532,5546,5732,5746	ACH1480
	C	5533,5728,5733,5928	CKSRYPB102K50
	C	5538,5550,5643,5737	CKSSYB104K16
D	C	5541,5542,5741,5742	CKSSYB103K16
	C	5601-5603,5606	CCSRCH221J50
	C	5604,5605,5804,5805	CCSRCH102J50
	C	5607,5608,5807,5808	CCSRCH101J50
	C	5609,5610,5809,5810	CEHAT101M25
	C	5611,5612,5811,5812	CKSRYPB223K50
	C	5619,5621,5627,5628	ACE7100
	C	5620,5624,5820,5824	CEHAT221M16
	C	5629,5634,5707,5716	CEHAZL101M25
	C	5632,5648,5649	CKSRYPB104K50
	C	5635,5636,5835,5836	DCE1027
E	C	5637,5638,5837,5838	CEANP100M35
	C	5639,5640,5839,5840	ACE7128
	C	5641,5642,5841,5842	DCH1320
	C	5650,5651,5850,5851	CEHAZL220M50
	C	5701-5704,5708-5711	CKSRYPB104K50
	C	5705,5706,5905,5906	CEHAR100M35
	C	5712-5715,5912-5915	CCSSCH102J50
	C	5722,5745,5751,5831	CKSRYPB104K50
	C	5735,5929,5930,5935	CKSRYPB103K50
	C	5738,5750,5843,5937	CKSSYB104K16
	C	5739,5740,5939,5940	CCSRCH222J50
F	C	5801-5803,5806	CCSRCH221J50
	C	5819,5821,5827,5828	ACE7100
	C	5829,5834,5907,5916	CEHAZL101M25

Mark	No.	Description	Part No.
	C	5832,5848,5849	CKSRYPB104K50
	C	5901-5904,5908-5911	CKSRYPB104K50
	C	5921,5934	DCH1201
	C	5922,5945,5951	CKSRYPB104K50
	C	5932,5946	ACH1480
	C	5933	CKSRYPB102K50
	C	5938,5950	CKSSYB104K16
	C	5941,5942	CKSSYB103K16
	C	5944	CEHAZL101M10

B TRM1 ASSY MISCELLANEOUS

VR 6101 ROTARY VR
CN 6101 B TO B 11PIN JACK

DCS1118
AKN7067

CAPACITORS

C 6101

CKSRYPB104K25

C TRM2 ASSY MISCELLANEOUS

VR 6201 ROTARY VR
CN 6201 B TO B 11PIN JACK

DCS1118
AKN7067

CAPACITORS

C 6201

CKSRYPB104K25

D TRM3 ASSY MISCELLANEOUS

VR 6301 ROTARY VR
CN 6301 B TO B 11PIN JACK

DCS1118
AKN7067

CAPACITORS

C 6301

CKSRYPB104K25

E TRM4 ASSY MISCELLANEOUS

VR 6401 ROTARY VR
CN 6401 B TO B 11PIN JACK

DCS1118
AKN7067

CAPACITORS

C 6401

CKSRYPB104K25

F MTRM ASSY MISCELLANEOUS

VR 7901,7902 ROTARY VR
CN 7901 PLUG

DCS1123
CKS3533

G MAIN ASSY SEMICONDUCTORS

IC 1
IC 4,3017
IC 5
IC 6,7
IC 9

AM3352BZCZ100
TC7SH04FUS1
74LCX541FT
74LCX373FT
K4B1G1646G-BCK0

IC 11-13,1002,1502

TC7SG08FU

Mark No.	Description	Part No.	Mark No.	Description	Part No.
IC 14,15,2002		TC7SH08FUS1			
IC 16		LAN8720A-CP	D 4512-4516		DA2J101
IC 17		74LCX244FT			
IC 1001,1501		D810K013DZKB456			
			MISCELLANEOUS		
IC 1003,1004		M12L2561616A-5TG2S	L 1-3 SMD SPL INDUCTOR		CTH1531
IC 1005-1008		TC7WH157FK	L 4,5 COIL		ATH7015
IC 2001		H337S3959	L 6,7 CHOKE COIL		DTH1216
IC 2003		DYW1932*	L 1001,1501 CHIP SOLID INDUCTOR		QTL1013
*Part number of the initial firmware equipped			L 1002,1502 SMD FERRITE BEADS		CTF1823
IC 2004		R5S72670P144FP	L 2001 INDUCTOR		CTF1793
			L 2002-2004 CHIP SOLID INDUCTOR		QTL1013
IC 2005-2007,3006-3010		TC7SH08FUS1	L 2005 CHOKE COIL		DTH1219
IC 2008,2009,4010,4107		CS8421-CZ	L 4501,4503 CHOKE COIL		CTH1561
IC 2010,3001,3004,4404		TC7SZ08FUS1	L 4502 SMD SPL INDUCTOR		CTH1533
IC 3002		SI5351C-B03300GM			
IC 3005,3011-3014,3903		TC74VHC08FK	L 4504 SMD SPL INDUCTOR		CTH1584
			F 1 EMI FILTER		DTL1106
IC 3015,3016,3019,3020		74VHC163FT	JA 1 RJ45 CONNECTOR		VKN2023
IC 3021,4003,4008,4009		TC7SH08FUS1	JA 3201,3202 CANON CONNECTOR		DKB1093
IC 3201		AK4390EF	JA 3401 RCA JACK/4P		DKB1112
IC 3202,3203		NJM8901E			
IC 3204,3205		LME49720NA	JA 3601 6.5 DIA JACK		DKN1653
			JA 3602 6.5 DIA JACK		DKN1654
IC 3401,3801,4007,4106		AK4387ET	JA 4001 RCA JACK/4P		DKB1111
IC 3402,3602,3603		NJM4565MD	JA 4401 1P PIN JACK		PKB1045
IC 3403,3902,4011,4108		NJM4580MD	KN 4501-4508 WRAPPING TERMINAL		CKF1089
IC 3601,3901		AK4382AVT			
IC 3604,3605		NJM4580DD	RY 3201,3202 RELAY		VSR1008
			T 1,2 TRANSFORMER		DTX1010
IC 4001,4101,4201,4301		TC7WU04FU	T 4401 TRANSFORMER		DTL1225
IC 4002,4102,4202,4302		AK4117VF	X 1 CRYSTAL OSCILLATOR		CWX4280
IC 4004,4103,4203,4303		TC74VHC08FK	X 2 CRYSTAL OSCILLATOR		DSS1209
IC 4206,4306		AK4387ET			
IC 4207,4307,4401		CS8421-CZ	X 2001 CRYSTAL TRANSDUCER		ASS7120
			X 3001 CRYSTAL OSCILLATOR		ASS7102
IC 4208,4308		NJM4580MD	CN 2,4504 CONNECTOR		AKM1281
IC 4402		AK4104ET	CN 2002,4502 CONNECTOR		AKM1276
IC 4403		NLV74VHCU04DT	CN 3801 11P CONNECTOR		VKN1415
△ IC 4501		NJM2831F05			
△ IC 4502,4503		NJM78M05DL1A	CN 3901 14P CONNECTOR		VKN1418
			CN 4503 CONNECTOR		AKM1280
△ IC 4504-4506		MM3542BF	CN 4505 19P CONNECTOR		VKN1423
△ IC 4507		BD9328EFJ	CN 4506 24P CONNECTOR		VKN1428
△ IC 4508,4509		NJM2872BF33	CN 4507 FFC/FPC CONNECTOR		DKN1663
△ IC 4511		TC7SH08FUS1			
△ IC 4512		NJM78M15DL1A	CN 4508 CONNECTOR		VKN2050
			CN 4509 CONNECTOR		AKM1277
IC 4513		BD2226G	CN 4517 6P CONNECTOR		VKN1410
Q 2,4501,4513		LTC024EEB	VA 3201-3204,4401,4402 VARISTORS		EZJZ1V270RM
Q 2,4501,4513		DRC9A24E0			
Q 3201,3403,3404,3407		INC2002AC1			
Q 3401,3402		2SK209	RESISTORS		
			R 12,57		RS1/10SR680J
Q 3408,3609-3612		INC2002AC1	R 177,318,319,321		RS1/10SR0R0J
Q 4501,4513		LTC124EUB	R 194,312-315		RS1/16SS49R9F
Q 4502		LSC4081UB	R 195,196,4535		RS1/16SS1001D
Q 4502,4512		LSCR523UB	R 199		RS1/16SS2400F
Q 4502,4512		2SC4154-11			
			R 310,4523,4537		RS1/16SS1002D
Q 4504		LSAR523UB	R 311		RS1/16SS1501F
Q 4504		ISA1602AM1	R 1001,1107,1108,1501		RS1/10SR0R0J
Q 4504		LSA1576UB	R 1207		RS1/10SR560J
Q 4506-4508		HN1A01FU	R 1209,4420		RS1/10SR101J
Q 4506-4508		UMT1N			
			R 2001,2002,3201,3213		RS1/10SR0R0J
Q 4509-4511		HN1C01FU	R 2037,2154,3204,3206		RAB4CQ103J
D 3202-3205,4508		DA2J101	R 2065		RS1/16SS5601F
D 3202-3205,4508		1SS355VM	R 2098,4028,4123,4224		RS1/10SR1203D
D 4507,4509-4511		DAN202UM	R 2099,2103,4029,4124		RS1/10SR1001F
D 4512-4516		1SS355VM	R 2101,2105,4031,4126		RS1/10SR2201D

Mark No. Description

Part No.

Mark No. Description

Part No.

A

R 2102,2106,4032,4127 RS1/10SR1802D
 R 2107,4408 RS1/10SR1503D
 R 2109,4035,4130,4230 RS1/10SR6801D
 R 3215,4427,4507 RS1/10SR0R0J

C 33,34,74,75 CCG1192
 C 35,37-41,43 CKSSYB103K16
 C 42,44,48,52 CKSSYB104K10
 C 45-47,49-51 CKSSYB103K16
 C 53,66-73,76 CKSSYB103K16

R 3218-3225 RN1/16SE1501D
 R 3226-3233,3242-3249 RN1/16SE8201D
 R 3234-3241 RN1/16SE1301D
 R 3250-3257 RN1/16SE1101D
 R 3262-3269,3647-3654 RN1/16SE2001D

C 54-61,88 CKSSYB104K10
 C 62-64,111,112 DCH1266
 C 77,93 CCSSCH7R0D50
 C 78-80,83,85 CCG1218
 C 81,82,87,91 CCG1212

R 3270-3277,3639-3646 RN1/16SE3901D
 R 3278-3281,3667-3670 DCN1198
 R 3282-3285,3675-3678 RN1/16SE1001D
 R 3406,3606,3901,4026 RAB4CQ103J
 R 3408,3409 RS1/10SR5101D

C 84,86,89,94 CCG1192
 C 90,92,98 CCG1218
 C 95,99,107,118 CCG1192
 C 96,152,4606,4609 CCG1212
 C 100,160,3226,3227 CEVW101M16

B

R 3410,3411,3414,3415 RS1/10SR4702D
 R 3412,3413 RS1/10SR4701D
 R 3416,3417 RS1/10SR4301D
 R 3420,3421 RS1/10SR105J
 R 3422,3423,3440,3441 RN1/16SE1002D

C 101 CKSRYB105K10
 C 102-105,113-117 CKSSYB104K10
 C 106,109,110,131 CKSSYB103K16
 C 108,150,1007,1008 CKSSYB471K50
 C 119-129 CKSSYB224K6R3

R 3424,3427 DCN1200
 R 3425,3426,3444,3445 RS1/10SR183J
 R 3428,3429,3623-3630 RN1/16SE4701D
 R 3430,3431 RN1/16SE6801D
 R 3432,3433 RS1/10SR100J

C 130,133-137,140 CKSSYB104K10
 C 138,139,149,1041 DCH1266
 C 141,144,145,148 CKSSYB104K10
 C 142,143,146,147 CKSSYB102K50
 C 153,154,161,1005 CKSSYB104K10

C

R 3434,3435,3442,3443 RS1/4SA101J
 R 3436,3437,3687-3690 RS1/10SR104J
 R 3607-3614 RN1/16SE5601D
 R 3615-3622,3631-3638 RN1/16SE2702D
 R 3655-3662,3907-3910 RN1/16SE4701D

C 155,156 CKSSYB223K16
 C 157,159,1001-1004 CCG1192
 C 158 ACG1127
 C 1006,1042,1043 CKSSYB104K10
 C 1009,1011,1013,1015 CKSSYB103K16

R 3680,3682,3684,3686 RS1/10SR183J
 R 3903-3906 RN1/16SE2701D
 R 3911-3914 RN1/16SE1801D
 R 4001,4101,4201,4301 RS1/10SR75R0D
 R 4120,4220,4320 RAB4CQ103J

C 1010,1012,1014,1016 CKSSYB102K50
 C 1017,1019,1021,1022 CKSSYB103K16
 C 1018,1020,1023,1025 CKSSYB102K50
 C 1024,1026,1028,1030 CKSSYB103K16
 C 1027,1029,1031,1033 CKSSYB102K50

D

R 4225,4324,4410 RS1/10SR1001F
 R 4227,4326,4406 RS1/10SR2201D
 R 4228,4327,4407 RS1/10SR1802D
 R 4323 RS1/10SR1203D
 R 4330,4532 RS1/10SR6801D

C 1032,1034,1036-1038 CKSSYB103K16
 C 1035,1510,1512,1514 CKSSYB102K50
 C 1039,1539,2036,3272 CCSSCH101J50
 C 1040,1048-1061,1067 CKSSYB103K16
 C 1044,1045,1501-1504 CCG1192

R 4423,4430-4433 RN1/16SE1000D
 R 4424 RN1/16SE3300D
 R 4522 RS1/16SS2702D
 R 4524 RS1/16SS2202D
 R 4525 RS1/16SS4701D

C 1062-1065,1505,1506 CKSSYB104K10
 C 1068,1509,1511,1513 CKSSYB103K16
 C 1507,1508,2009,2010 CKSSYB471K50
 C 1515,1517,1519,1521 CKSSYB103K16
 C 1516,1518,1520,1523 CKSSYB102K50

E

R 4526 RS1/16SS8201D
 R 4527 RS1/16SS51R0D
 R 4528,4531,4534 RS1/16SS2201D
 R 4529 RS1/16SS1102D
 R 4530 RS1/10SR5600D

C 1522,1524,1526,1528 CKSSYB103K16
 C 1525,1527,1529,1531 CKSSYB102K50
 C 1530,1532,1534 CKSSYB103K16
 C 1533,1535,2037 CKSSYB102K50
 C 1536-1538,1540 CKSSYB103K16

R 4533 RS1/10SR75R0D
 R 4536 RS1/16SS3301D
 R 4592 RS1/16SS1202D
 R 4593 RS1/16SS2002D
 Other Resistors RS1/16SS###J

C 1541 DCH1266
 C 1542,1543,2002,2007 CKSSYB104K10
 C 2001 CKSSYB222K50
 C 2003-2006,2040 CCG1192
 C 2008,2011,2016,2039 CKSSYB104K10

CAPACITORS

F

C 1,2,10,11 CKSSYB104K10
 C 3-9,16,17 CCG1192
 C 12-15,19-25 CKSSYB103K16
 C 18,26,30,36 CKSSYB104K10
 C 27-29,31,32 CKSSYB103K16

C 2012-2015,2017-2031 CKSSYB103K16
 C 2034,2035,2038 CKSSYB103K16
 C 2041,2048-2050 CKSSYB104K10
 C 2042-2044,2054,2055 CKSSYB102K50

5			6			7			8		
Mark	No.	Description	Part No.	Mark	No.	Description	Part No.	Mark	No.	Description	Part No.
C	2045-2047,2056,2057		CKSSYB103K16	C	3907,3908,4407,4408		CCSSCH102J50	C	3909-3912		CCSRCH331J50
C	2051-2053,2063,2064		CCG1192	C	3913,3914,4034,4035		CKSSYB104K50	C	3915		CKSSCH101J50
C	2058-2060,2062,2065		CKSSYB104K10	C	3917,4530,4640		CKSSYB102K50	C	4001,4101,4201,4301		CEVW101M16
C	2061,2082,3002,3010		CKSSYB104K10	C	4004,4008,4009,4011		CKSSYB103K16	C	4004,4008,4009,4011		CCSSCH221J50
C	2066,2069,2070,2073		CKSSYB103K16	C	4005,4105,4205,4305		CKSSYB104K10	C	4012,4020,4022-4024		CKSSYB102K50
C	2067,2068,2075,2076		CCSSCH5R0C50	C	4025,4026,4111,4211		CKSSYB104K10	C	4027,4029,4104,4108		CKSSYB104K10
C	2071,2072		CKSSYB104K10	C	4030,4031,4106,4107		CKSSYB102K50	C	4102,4128,4202,4228		CEVW100M16
C	2074,2083,3001,3003		CKSSYB104K10	C	4109,4112,4119,4121		CKSSYB104K10	C	4110,4117,4118,4210		CKSSYB103K50
C	3004,3011,3017		CKSSYB103K16	C	4120,4123,4220,4223		CKSSYB102K50	C	4122,4126,4204,4208		CCG1192
C	3006,3008,3012,3013		CKSSYB102K50	C	4124,4125,4224,4225		CKSSYB104K10	C	4129,4130,4229,4230		CKSSYB104K10
C	3016,3018-3022,3028		CKSSYB104K10	C	4209,4212,4219,4221		CKSSYB103K16	C	4217,4218,4310,4317		CKSSYB103K16
C	3023-3027,3030-3032		CKSSYB102K50	C	4222,4226,4304,4308		CKSSYB104K10	C	4302,4328,4604,4605		CKSSYB104K10
C	3029,3033,3035,3036		CKSSYB104K10	C	4302,4328,4604,4605		CKSSYB104K10	C	4309,4312,4319,4321		CKSSYB102K50
C	3034,3037,3039,3041		CKSSYB102K50	C	4311,4413,4626		CKSSYB104K10	C	4318,4401,4404,4643		CKSSYB103K16
C	3038,3040,3042,3046		CKSSYB104K10	C	4320,4323,4562		CKSSYB104K10	C	4322,4324,4402,4403		CKSSYB104K10
C	3043,3045,3047,3919		CKSSYB102K50	C	4325,4326,4406,4516		CKSSYB104K10	C	4327,4502-4504,4506		CKSSYB102K50
C	3201,3401,3601,3801		CKSSYB104K10	C	4329,4330,4622,4623		CKSSYB104K10	C	4405,4409,4416		CKSSYB104K10
C	3202,3251,3402,3602		CKSSYB104K10	C	4411		CKSSYB104K10	C	4414,4415		CCSRCH102J50
C	3203,3204,3222,3223		CKSSYB104K10	C	4501,4512,4517,4525		CKSSYB104K10	C	4505		CKSQYB104K50
C	3205,3206,3217,3218		CKSSYB104K10	C	4507,4508		CKSSYB104K10	C	4509,4514,4526,4529		CCH1680
C	3207,3208,3214,3215		CKSSYB104K10	C	4510		CKSSYB104K10	C	4513		ACE7100
C	3209,3210,3212,3213		CKSSYB104K10	C	4518		CKSSYB104K10	C	4518		CKSQYB225K16
C	3211,3403,3603,3803		CKSSYB104K10	C	4523		CKSSYB104K10	C	4528,4531,4539-4542		CKSSYB103K25
C	3216,3219,3405,3406		CKSSYB104K10	C	4532,4543-4548,4557		CKSSYB104K10	C	4537,4538,4600,4644		CKSQYB104K50
C	3220,3221,3407,3408		CKSSYB104K10	C	4553-4555,4558		CKSSYB104K10	C	4556,4646		CCSRCH101J50
C	3224,3225,3404,3806		CKSSYB104K10	C	4559,4584-4587,4602		CKSSYB104K10	C	4560,4561,4588-4591		CKSQYB104K50
C	3228-3231,3649-3652		CKSSYB104K10	C	4564-4566		CKSSYB104K10	C	4567-4571,4621,4624		CKSSYB153K50
C	3232-3235		CKSSYB104K10	C	4572		CKSSYB104K10	C	4573		CCSSCH821J50
C	3236-3243		CKSSYB104K10	C	4574		CKSSYB104K10	C	4575		CKSSYB122K50
C	3248-3250,3252,3417		CKSSYB104K10	C	4575		CKSSYB104K10	C	4592-4599,4611,4613		CKSSYB332K50
C	3258-3261,3273-3276		CKSSYB104K10	C	4601,4648,4650,4652		CKSSYB104K10	C	4603,4607,4608,4645		CCG1192
C	3262,3265		CKSSYB104K10	C	4603,4607,4608,4645		CKSSYB104K10				
C	3263,3264,3266,3267		CKSSYB104K10				CKSSYB104K10				
C	3268-3271		CKSSYB104K10				CKSSYB104K10				
C	3409,3410,4006,4007		CKSSYB104K10				CKSSYB104K10				
C	3411,3606,4563		CKSSYB104K10				CKSSYB104K10				
C	3412,3413		CKSSYB104K10				CKSSYB104K10				
C	3414,3415		CKSSYB104K10				CKSSYB104K10				
C	3416,3421		CKSSYB104K10				CKSSYB104K10				
C	3418,3420,4533-4536		CKSSYB104K10				CKSSYB104K10				
C	3419,3426,3427,3623		CKSSYB104K10				CKSSYB104K10				
C	3422,3423		CKSSYB104K10				CKSSYB104K10				
C	3424,3425,3918,4015		CKSSYB104K10				CKSSYB104K10				
C	3428-3431		CKSSYB104K10				CKSSYB104K10				
C	3432-3435		CKSSYB104K10				CKSSYB104K10				
C	3604,3804,3805,3904		CKSSYB104K10				CKSSYB104K10				
C	3605,3807,3808,3905		CKSSYB104K10				CKSSYB104K10				
C	3607-3610		CKSSYB104K10				CKSSYB104K10				
C	3611-3614		CKSSYB104K10				CKSSYB104K10				
C	3615-3622		CKSSYB104K10				CKSSYB104K10				
C	3624,3628,4524,4527		CKSSYB104K10				CKSSYB104K10				
C	3625-3627,3634,3638		CKSSYB104K10				CKSSYB104K10				
C	3629,3630,3637,3642		CKSSYB104K10				CKSSYB104K10				
C	3639,3643,3810,3811		CKSSYB104K10				CKSSYB104K10				
C	3645-3648		CKSSYB104K10				CKSSYB104K10				
C	3802,3902,4002,4033		CKSSYB104K10				CKSSYB104K10				
C	3809,3906,4021,4028		CKSSYB104K10				CKSSYB104K10				
C	3901,4032,4127,4227		CKSSYB104K10				CKSSYB104K10				
C	3903,4010,4018,4019		CKSSYB104K10				CKSSYB104K10				

Mark	No.	Description	Part No.
	C	4610,4612	CCG1212
	C	4614	CCG1192
A	C	4625,4627,4628,4633	CKSSYB104K10
	C	4641,4642	CCH2000
	C	4647,4651	CKSRYB102K50
	C	4653	CKSQYB104K50
	C	4654	CKSRYB104K50
	C	4655,4661	CKSSYB104K10

H REGB ASSY

SEMICONDUCTORS

B	⚠	IC 7601	NJM7805FA
	⚠	IC 7602	NJM7815FA
	⚠	IC 7603	NJM7915FA
	D	7604,7605	RB501V-40
	D	7604,7605	RB501VM-40

MISCELLANEOUS

	CN 7601	L-PLUG(9P)	KM200NA9L
--	---------	------------	-----------

CAPACITORS

C	C	7601-7603,7610,7611	CKSRYB103K50
	C	7604-7606	CKSRYB104K16
	C	7607	CCG1205
	C	7608,7609	CKSQYB105K25
C	C	7613,7614,7616	CKSRYB102K50
	C	7615	CKSRYB103K50

I USBP ASSY

SEMICONDUCTORS

D	⚠	IC 4851	MM3543BH
		IC 4852	TPS2557DRB
	Q	4851	RN1903
	Q	4851	UMH1N
	Q	4852	LSCR523UB
	Q	4852	2SC4154-11
	Q	4852	LSC4081UB
	D	4851	DZZJ051M0

MISCELLANEOUS

	L	4851	SMD SPL INDUCTOR	CTH1524
	KN	4851,4852	WRAPPING TERMINAL	CKF1089
	CN	4851	CONNECTOR	AKM1292
	CN	4852	CONNECTOR	AKM1291

RESISTORS

E	R	4851	RS1/8SQ0R0J
	R	4852	RS1/16SS104J
	R	4857,4862	RS1/16SS103J
	R	4860	RS1/16SS101J
	R	4861	RS1/10SR472J
	R	4863	RS1/10SR331J
	R	4865	RS1/10SR221J
		Other Resistors	RS1/16SS####D

CAPACITORS

F	C	4851	CCG1254
	C	4852	CKSSYB102K50
	C	4855,4857	CKSSYB104K10
	C	4856	CKSRYB153K50
	C	4858	CCSSCH821J50

Mark No. Description

C	4863,4864,4867	CCG1192
C	4865	CCH1565
C	4866	CEVW331M6R3
C	4868	CKSRYB104K16

J USBC ASSY

MISCELLANEOUS

	JA 4801	USB JACK	DKB1118
	CN 4801	CONNECTOR	AKM1281

CAPACITORS

C	4801	CKSSYB103K16
C	4802	CCG1192
C	4803	CKSSYB102K50
C	4804	CCSSCK2R0C50

K USBB ASSY

MISCELLANEOUS

	JA 4701,4702	CONNECTOR	DKN1607
	KN 4701,4702	WRAPPING TERMINAL	CKF1089
	CN 4701	CONNECTOR	AKM1281

RESISTORS

R	4711,4713	RS1/10SR0R0J
	Other Resistors	RS1/16SS###J

CAPACITORS

C	4707,4708	CCG1192
C	4713,4714	CKSSYB103K16
C	4715,4716	CKSSYB102K50

L SEND ASSY

SEMICONDUCTORS

	IC 6001	NJM4565MD
	Q 6001,6002	2SK209
	Q 6003,6004	INC2002AC1

MISCELLANEOUS

	JA 6001,6002	6.5 DIA JACK	DKN1652
	CN 6001	11P CONNECTOR	VKN1242

RESISTORS

R	6001,6002	RS1/10SR4701D
R	6003,6004,6007,6008	RN1/16SE4702D
R	6005,6006	RN1/16SE4701D
R	6009,6010	RN1/16SE4301D
R	6011,6012	RD1/2VM821J
	Other Resistors	RS1/10SR###J

CAPACITORS

C	6001,6003	CKSRYB103K25
C	6002,6004-6006	CEAT220M50
C	6007,6008	CCSQCH472J50
C	6009,6010	CCSRCH152J50
C	6011,6012	CCSRCH560J50

C	6013,6014	CKSRYB334K10
C	6015,6016	CKSSYB473K16
C	6017,6018	CEANP100M35
C	6019	DCE1016

Mark No. Description**Part No.****M HPPW ASSY**
SEMICONDUCTORS

⚠ IC 8001
 ⚠ IC 8002
 IC 8201,8202
 Q 8201,8203,8205,8207
 Q 8201,8203,8205,8207

MM3543BH
 NJW4154GM1-A
 NJM4580DD
 LSCR523UB
 2SC4154-11

Q 8201,8203,8205,8207
 Q 8202,8204,8206,8208
 Q 8202,8204,8206,8208
 Q 8202,8204,8206,8208
 Q 8209,8212,8214,8216

LSC4081UB
 LSAR523UB
 LSA1576UB
 ISA1602AM1
 2SB1184F5

Q 8210,8211,8213,8215
 Q 8217-8220
 Q 8217-8220
 Q 8221-8224
 Q 8221-8224

2SD1760F5
 LTC124EUB
 RT1N241M
 LSAR523UB
 ISA1602AM1

D 8001
 D 8201-8212
 D 8201-8212

RB056L-40
 1SS355VM
 DA2J101

MISCELLANEOUS

L 8001 CHOKE COIL
 L 8003 SMD SPL INDUCTOR
 KN 8001,8002 EARTH TERMINAL
 RY 8201,8202 RELAY
 CN 8001 PLUG(4P)

CTH1436
 CTH1519
 AKF7002
 VSR1008
 KM200NA4

CN 8201 14P CONNECTOR
 CN 8202 PLUG(7P)

VKN1418
 KM200NA7

RESISTORS

R 8001,8010
 R 8002
 R 8005,8021,8296
 R 8022,8023
 R 8201,8206-8209

RS1/16SS103J
 RS1/10SR9102D
 RS1/4SA0R0J
 RS1/4SA681J
 RS1/10SR0R0J

R 8202-8205,8210-8213
 R 8214,8216,8217,8219
 R 8215,8218,8221,8224
 R 8220,8222,8223,8225
 R 8226-8229,8234-8237

RN1/16SE1201D
 RN1/16SE4701D
 RD1/2VM151J
 RN1/16SE4701D
 RN1/16SE1001D

R 8230-8233,8242-8245
 R 8238-8241,8246-8265
 R 8268-8271
 R 8272,8277,8278,8283
 R 8273-8276,8279-8282

RN1/16SE1201D
 RS1/4SA240J
 RD1/2VM151J
 RS1/10SR104J
 RS1/10SR102J

R 8284,8286,8288,8289
 R 8285,8287,8290,8291
 R 8292-8295
 Other Resistors

RS1/10SR473J
 RS1/10SR103J
 RS1/10SR473J
 RS1/16SS####D

CAPACITORS

C 8001,8003,8004,8017
 C 8002,8007,8020,8026
 C 8005,8006,8011,8014
 C 8010
 C 8012,8022,8023,8028

ACG1142
 CCSSCH102J50
 CKSSYB104K16
 CKSYB475K25
 CCG1192

C 8013
 C 8015

CKSRYB153K50
 CEAT221M10

Mark No. Description**Part No.**

C 8016
 C 8021,8025
 C 8024

CCSSCH561J50
 CKSSYB104K16
 CEAT470M25

C 8201,8205,8206,8221
 C 8202,8204,8230,8231
 C 8207
 C 8208,8210,8212,8215
 C 8209,8211,8213,8214

CEAT101M16
 CEAT101M25
 CCSRCH101J50
 CCSRCH821J50
 CKSRYB104K50

C 8226-8229
 C 8232,8233

CCG1182
 CEAT101M16

N HPJK ASSY
MISCELLANEOUS

JA 8702 HEADPHONE JACK
 KN 8701 SCREW PLATE
 CN 8701 L-PLUG(4P)
 VA 8701 VARISTORS

XKB3066
 VNE1948
 KM200NA4L
 EZJZ1V270RM

RESISTORS

All Resistors

RS1/10SR###J

CAPACITORS

C 8702,8704
 C 8708
 C 8710

CFHXSP104J16
 CKSRYB102K50
 CKSRYB103K50

O HPJM ASSY
MISCELLANEOUS

JA 6501 STEREO MINI JACK
 KN 6501 SCREW PLATE
 CN 6501 L-PLUG(3P)
 VA 6503 VARISTORS

XKN3017
 VNE1948
 KM200NA3L
 EZJZ1V270RM

RESISTORS

All Resistors

RS1/10SR###J

CAPACITORS

C 6502,6503
 C 6505
 C 6506

CKSRYB104K25
 CKSRYB102K50
 CKSRYB103K50

P PNLA ASSY
SEMICONDUCTORS

IC 7001
 *Part number of the initial firmware equipped
 IC 7002
 ⚠ IC 7003,7004
 IC 7005-7008
 IC 7009

DYW1933*
 S-80927CNMC-G8X
 NJM2872BF33
 TC74HC4051AF
 NJM2903M

Q 7001
 Q 7001
 Q 7002
 Q 7002
 Q 7003,7012-7027

RT1P141M
 LTA114EUB
 RT1P241M-11
 LTA124EUB
 LSCR523UB

Q 7003,7012-7027
 Q 7008,7010,7037,7039
 Q 7008,7010,7037,7039
 Q 7033-7036,7049-7065
 Q 7033-7036,7049-7065

2SC4154-11
 RT1N241M
 LTC124EUB
 LSCR523UB
 2SC4154-11

Mark	No.	Description	Part No.
A	Q	7038,7040,7042,7044	2SB1689
	Q	7041,7043,7045,7047	LTC124EUB
	Q	7041,7043,7045,7047	RT1N241M
	Q	7046,7048	2SB1689
	Q	7066	RT1P431M
	Q	7066	LTA143EUB
	Q	7067-7076	RT1N241M
	Q	7067-7076	LTC124EUB
	Q	7079-7082	LSCR523UB
	Q	7079-7082	2SC4154-11
B	D	7000-7012,7017,7018	LTL17KRH5D
	D	7013-7016,7019-7036	SLI-343YYW
	D	7037-7040,7043-7096	LTL17KGH5D
	D	7041,7042,7129-7138	SLI-343YYW
	D	7097-7099,7173,7178	SLI-343M8G
	D	7110,7139-7172	1SS355VM
■	D	7110,7139-7172	DA2J101
	D	7111-7121,7179-7184	SLR343BD2T
	D	7122-7127	SLR343WBD2PT
	D	7128	LTL17KCGP4J
■	D	7174-7177	DA2J101
	D	7174-7177	1SS355VM

MISCELLANEOUS

C	VR	7001-7003 POTENTIOMETER	DCS1065
	VR	7004,7008,7012,7016 ROTARY VR	DCS1126
	VR	7005-7007 POTENTIOMETER	DCS1065
	VR	7009-7011 POTENTIOMETER	DCS1065
■	VR	7013-7015 POTENTIOMETER	DCS1065
	VR	7018-7020,7022 POTENTIOMETER	DCS1065
	VR	7021 POTENTIOMETER	DCS1109
	VR	7023 POTENTIOMETER	DCS1108
■	S	7001-7004 ROTARY SWITCH	DSG1131
	S	7005,7006 SLIDE SWITCH	DSH1066
	S	7007 SLIDE SWITCH	DSH1058
	S	7008-7022,7028,7029 TACT SWITCH	DSG1079
D	S	7023-7027 TACT SWITCH	DSG1117
	X	7001 CERAMIC RESONATOR	DSS1147
	CN	7001,7004 24P CONNECTOR	VKN1255
	CN	7002 19P CONNECTOR	VKN1250
■	CN	7003 28P CONNECTOR	VKN1259
	CN	7006 PLUG(3P)	KM200NA3
	CN	7007 PLUG(3P)	KM200NA3R
	CN	7008 PLUG(3P)	KM200NA3E
■	CN	7009 PLUG(3P)	KM200NA3Y

RESISTORS

E	All Resistors	RS1/10SR###J
---	---------------	--------------

CAPACITORS

■	C	7001-7003,7005	XCEJQ470M16
	C	7006-7008,7010,7013	CKSRYB104K16
	C	7009,7125	CKSRYB104K50
	C	7014,7017	CKSRYB105K10
	C	7015,7018,7028-7032	CCSRCH102J50
F	C	7016,7019-7023,7026	CKSRYB104K16
	C	7024	DCH1256
	C	7025,7066,7068-7071	CCSRCH471J50
	C	7034-7037,7131	CCSRCH102J50
	C	7038,7043-7045	CKSRYB104K16
	C	7039,7040,7042,7120	CKSRYB103K50

Mark	No.	Description	Part No.
■	C	7048	CKSRYB473K50
	C	7049,7127,7128	CCSRCH101J50
	C	7050	XCEJQ101M16
	C	7051-7065,7067	CKSRYB104K16
	C	7072-7079,7081	CKSRYB104K16
	C	7080,7082-7085,7089	CCSRCH471J50
	C	7086-7088,7090	CKSRYB104K16
	C	7091-7094,7098	CCSRCH471J50
	C	7095-7097,7099	CKSRYB104K16
	■	C	7101-7103,7108,7109
C		7104-7107,7123,7126	CKSRYB104K16
C		7111-7119	CCSRCH471J50
C		7121,7130	CKSRYB103K50
C		7124	CCG1222

Q FAD1 ASSY
MISCELLANEOUS

VR	7811 SLIDE VR	DCV1027
CN	7811 L-PLUG(3P)	KM200NA3L

R FAD2 ASSY
MISCELLANEOUS

VR	7821 SLIDE VR	DCV1027
CN	7821 L-PLUG(3P)	KM200NA3L

S FAD3 ASSY
MISCELLANEOUS

VR	7831 SLIDE VR	DCV1027
CN	7831 L-PLUG(3P)	KM200NA3L

T FAD4 ASSY
MISCELLANEOUS

VR	7841 SLIDE VR	DCV1027
CN	7841 L-PLUG(3P)	KM200NA3L

U CDCB ASSY
SEMICONDUCTORS

NSP	IC 4902	ATSAMD20E15A-MU
D	4916-4921	SWBA05

MISCELLANEOUS

L	4906 CHIP SOLID INDUCTOR	XTL3010
CN	4906 24P CONNECTOR	VKN1428
CN	4909,4910 FFC/FPC CONNECTOR	CKS6476
CN	4911 7P CONNECTOR	VKN1411

RESISTORS

R	4900,4921,4922	RS1/10SR122J
R	4924-4926,4945-4956	RS1/10SR122J
	Other Resistors	RS1/16SS###J

CAPACITORS

C	4910,4911,4922-4924	CKSSYB104K10
C	4912,4913,4916,4917	CKSRYB104K50
C	4914,4915	CKSQYB105K25
C	4920,4921	CCG1222
C	4925,4941-4945	CKSSYB102K50

Mark	No.	Description	Part No.
C	4934		CKSRYB104K50
C	4936,4953,4957		CCG1234
C	4937,4938,4956,4958		CKSSYB104K10
C	4954		DCH1266

V PNLB ASSY

SEMICONDUCTORS

Q	7502,7511	2SC4154-11
Q	7502,7511	LSCR523UB
D	7505,7506	SLR343BD2T
D	7509-7524	DA2J101
D	7509-7524	1SS355VM
D	7525,7526	SLI-343YYW

MISCELLANEOUS

VR	7501,7504 ROTARY VR	DCS1125
VR	7502,7503 POTENTIOMETER	DCS1065
S	7501-7506 SLIDE SWITCH	DSH1058
S	7507,7508 SLIDE SWITCH	DSH1066
S	7509,7513 ROTARY ENCODER	DSX1068
S	7510 TACT SWITCH	DSG1117
S	7511 TACT SWITCH	DSG1079
S	7512 12MM GS ENCODER	DSX1064
CN	7501 28P CONNECTOR	VKN1259
CN	7502 PLUG(3P)	KM200NA3
CN	7503 6P CONNECTOR	VKN1237

RESISTORS

All Resistors	RS1/10SR###J
---------------	--------------

CAPACITORS

C	7501,7504,7506-7508	CKSRYB104K16
C	7502	XCEJQ470M16
C	7503,7505	CKSRYB103K50
C	7510	CKSRYB104K16

W CRFD ASSY

* When replacement of the CRFD Assy is required, be sure to order the CROSS FADER Assy (DXA2257) which is a parent Assy.

X SW POWER SUPPLY

There is no service parts.

Y ACSW ASSY

MISCELLANEOUS

⚠	S 7701 SWITCH	DSA1036
⚠	CN 7701 2P-SIDE VA-CONNECTOR	S2P3-VH
⚠	JP 7701 BOARD IN CONNECTOR	DDX1287

CAPACITORS

⚠	C 7701	ACG7030
---	--------	---------

Z GRDM ASSY

There is no service parts.