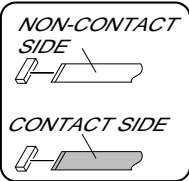


2.2 EXTERIOR SECTION

A

Refer to "2.3 CONTROL PANEL (LOWER) SECTION".

Refer to "2.4 CONTROL PANEL (UPPER) SECTION".



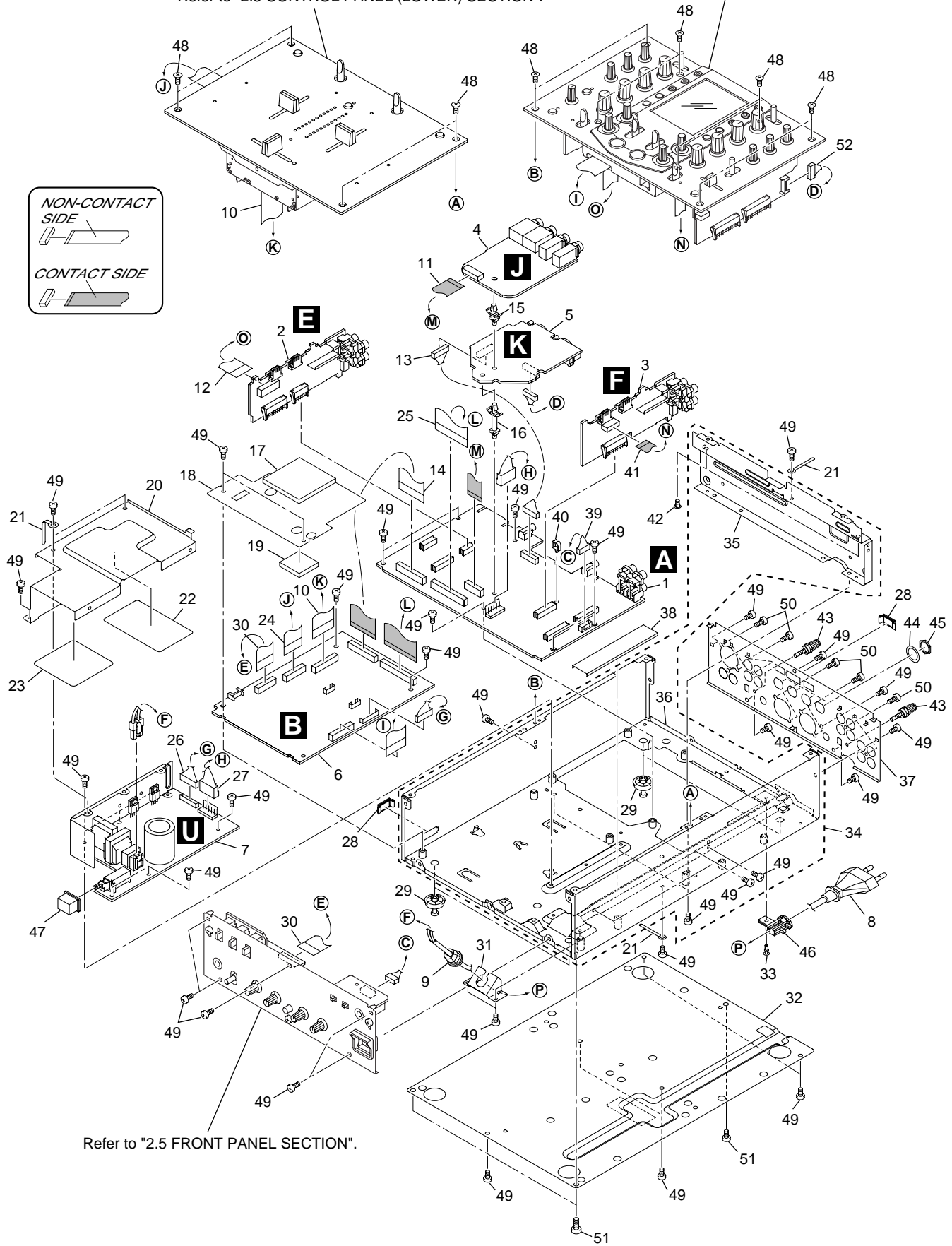
B

C

D

E

F



Refer to "2.5 FRONT PANEL SECTION".

EXTERIOR SECTION Parts List

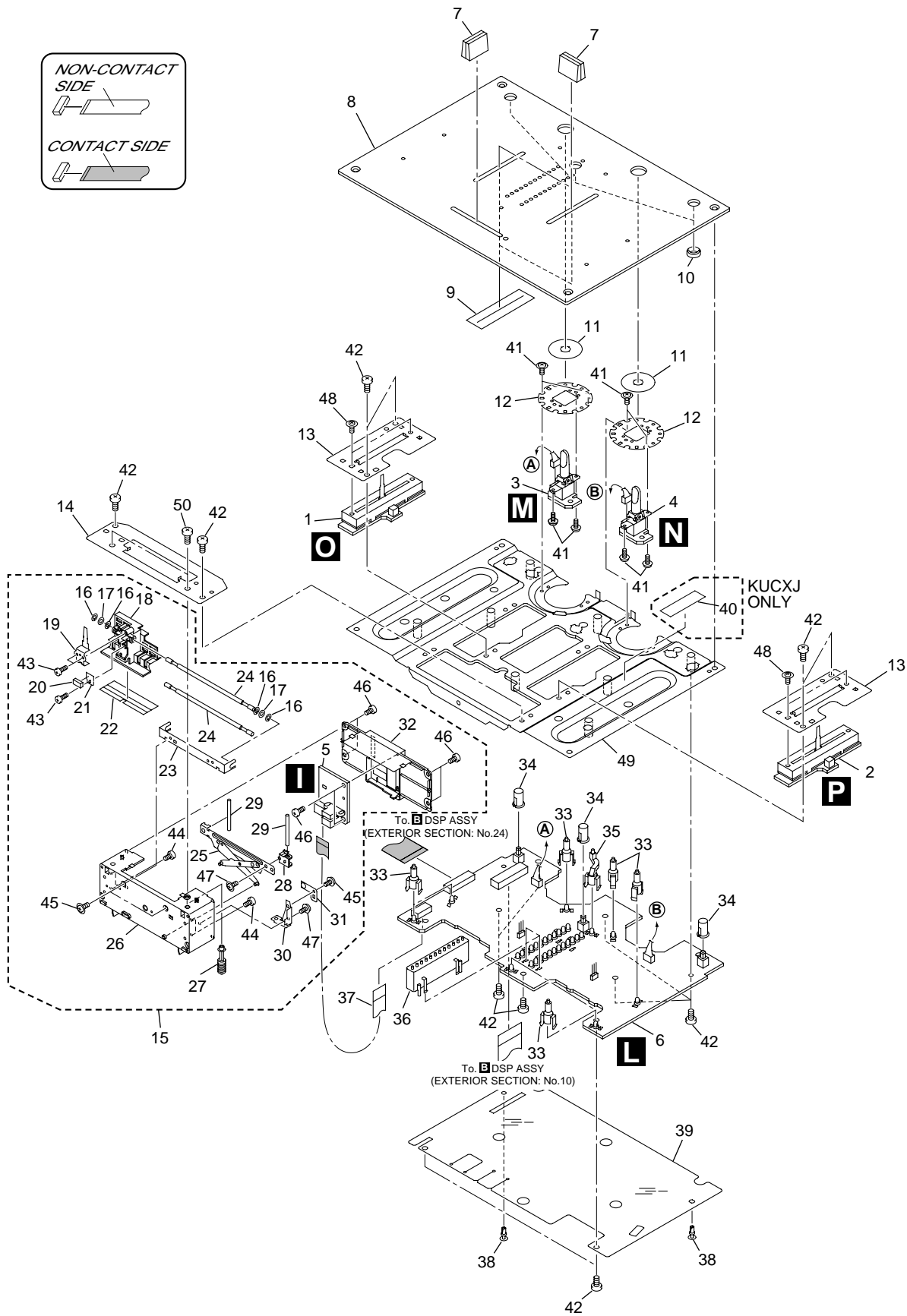
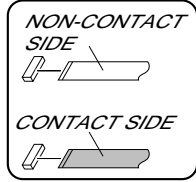
Mark No.	Description	Part No.	Mark No.	Description	Part No.
1	MAIN Assy	DWX2337	28	Blind Cap	DNK4218
2	C1BF Assy	DWS1328	29	Foot	REC-434
3	C2BF Assy	DWS1329	30	Flexible Cable (17P)	DDD1246
4	SDRT Assy	DWX2321			
5	XLR Assy	DWX2322	31	Cord Stopper Stay	DNH2576
			NSP 32	Bottom Plate	DNH2570
6	DSP Assy	DWX2316	33	Rivet	RBM-003
⚠ 7	SW POWER SUPPLY	DWR1377	NSP 34	Chassis (9) Assy	DXB1815
⚠ 8	AC Power Cord	See Contrast table(2)	NSP 35	Partition Plate	DNH2573
⚠ 9	Strain Relief	See Contrast table(2)			
10	Flexible Cable (23P)	DDD1239	NSP 36	Chassis (9)	DNA1296
			NSP 37	Rear Panel	See Contrast table(2)
11	Flexible Cable (15P)	DDD1243	38	Shield Sheet A	DEC2569
12	Flexible Cable (17P)	DDD1234	39	Connector Assy (6P)	DKP3661
13	Connector Assy (9P)	DKP3662	40	Mini Clamp	DEC2588
14	Flexible Cable (27P)	DDD1242			
15	Locking Card Spacer	PNW2917	41	Flexible Cable (11P)	DDD1245
			42	Card Spacer	DNK2769
NSP 16	PC Support	VEC1584	43	Terminal Screw	AKE-031
17	Spacer B	DEC2622	44	Washer	DBE1010
18	Shield Sheet G	DEC2610	45	Nut	NKX2FUC
19	Spacer A	DEC2617			
NSP 20	Shield Case	DNH2572	46	Cord Cover	DNK4197
			47	Power Knob	DAC2133
NSP 21	Cord Stopper	ZCB-069Z	48	Screw	CMZ30P100FZK
22	Shield Sheet B	DEC2570	49	Screw	BBZ30P060FZK
23	Shield Sheet C	DEC2584	50	Screw	BPZ30P080FMC
24	Flexible Cable (19P)	DDD1238			
25	Flexible Cable (35P)	DDD1241	51	Screw	BBZ40P120FMC
			52	Connector Assy (8P)	DKP3660
26	Connector Assy	PF08EE-D15			
27	Connector Assy	DKP3659			

(2) CONTRAST TABLE

DJM-909/ KUCXJ, DJM-909/ WYXJ and DJM-909/ TLTXJ are constructed the same except for the following :

Mark	No.	Symbol and Description	DJM-909 KUCXJ	DJM-909 WYXJ	DJM-909 TLTXJ
⚠	8	AC Power Cord	VDG1075	VDG1077	VDG1077
⚠	9	Strain Relief	CM-22C	CM-22B	CM-22B
NSP	37	Rear Panel	DNC1656	DNC1655	DNC1657

2.3 CONTROL PANEL (LOWER) SECTION



CONTROL PANEL (LOWER) SECTION Parts List

<u>Mark No.</u>	<u>Description</u>	<u>Part No.</u>	<u>Mark No.</u>	<u>Description</u>	<u>Part No.</u>
1	FVA1 Assy	DWX2323	26	Case A	DNK4193
2	FVA2 Assy	DWX2324	27	Worm gear S	DNK4195
3	C1TR Assy	DWS1334	28	Rack gear S	DNK4196
4	C2TR Assy	DWS1335	29	MG Shaft	DLA1947
5	FDVR Assy	DWX2320	30	WG Holder	DNF1681
6	LVMR Assy	DWS1330	31	WG Spring	DBK1245
7	Slider Knob (L)	DNK4210	32	Case B	DNK4194
8	Control Panel (D9)	DNB1121	33	LED Lens (C)	DNK4217
9	Fader Packing (A)	DEC2571	34	Push SW Knob (B)	DNK4207
10	Push SW Guide	DNK4208	35	LED Lens (B)	DNK4216
11	SW Packing (A)	DEC2573	36	Level Meter Holder	DNK4214
12	Transform Panel	DNF1682	37	Flexible Cable (9P)	DDD1240
13	CH Fader Bracket	DNF1683	38	Rivet	RBM-003
14	CR Fader Bracket	DNF1684	39	Shield Sheet (F)	DEC2591
15	Cross Fader Assy-S	DXX2535	40	65 Label (S)	See Contrast table(2)
16	Washer	WT28D060D025	41	Screw	AMZ26P040FMC
17	O Ring (2.8)	DEB1618	42	Screw	BBZ30P060FZK
18	Slider Base	DNK4192	43	Screw	BPZ20P060FMC
19	Lever Plate	DNH2564	44	Screw	CPZ26P100FZK
20	Fader Magnet	DMG1010	45	Screw	AMZ20P040FMC
21	Yoke	DNH2569	46	Screw	BPZ20P050FMC
22	Encoder Plate S	DEC2568	47	Screw	PBA1062
23	Stopper S	DNH2578	48	Thin Head Screw	DBA1198
24	Guide Shaft	DLA1966	NSP 49	Panel Stay (D) Assy	DXB1787
25	MG Plate Assy	DXA1968	50	Screw	BPZ30P080FMC

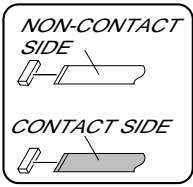
(2) CONTRAST TABLE

DJM-909/ KUCXJ, DJM-909/ WYXJ and DJM-909/ TLTXJ are constructed the same except for the following :

Mark	No.	Symbol and Description	DJM-909 KUCXJ	DJM-909 WYXJ	DJM-909 TLTXJ
	40	65 Label (S)	DRW2164	Not used	Not used

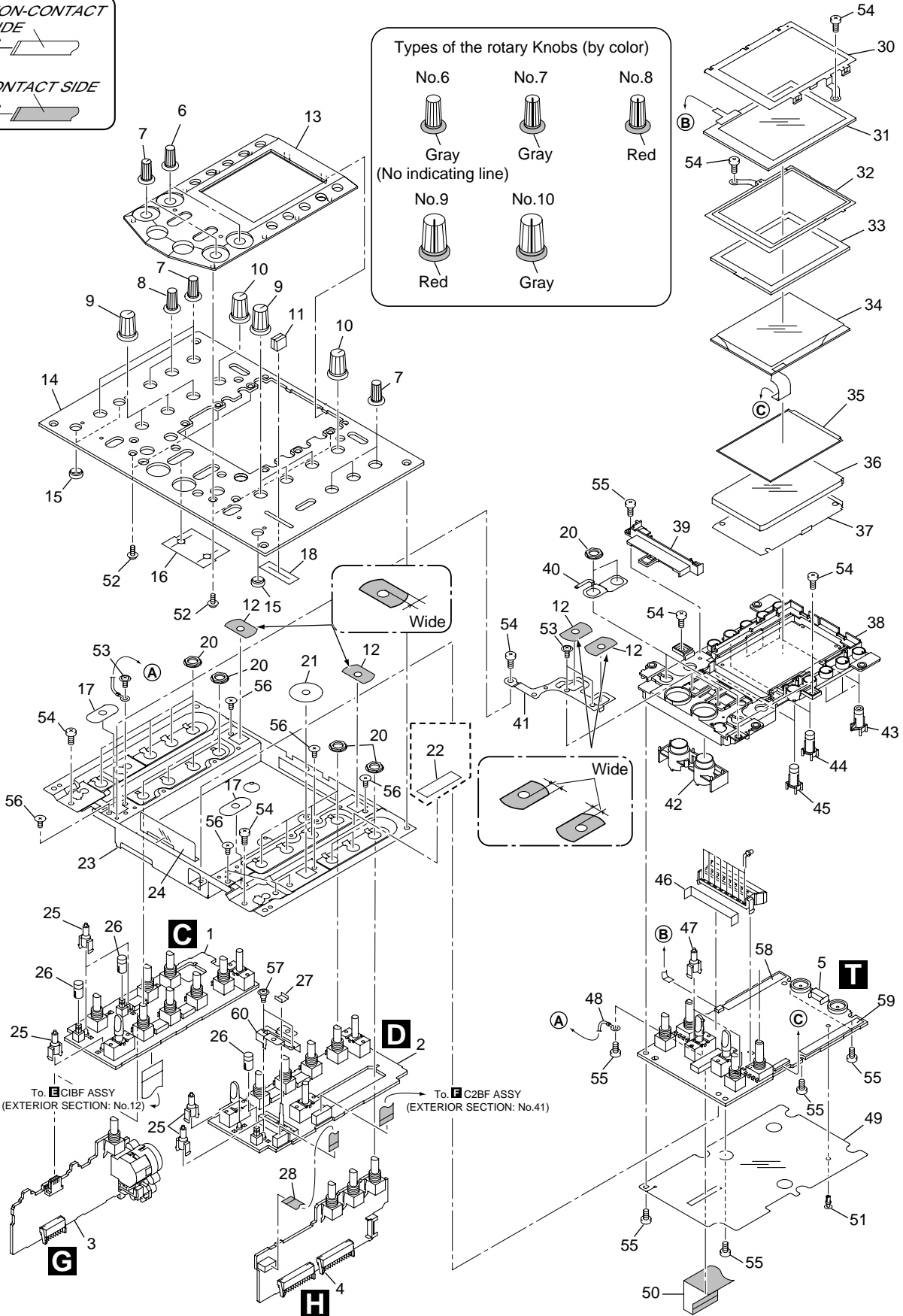
2.4 CONTROL PANEL (UPPER) SECTION

A



Types of the rotary Knobs (by color)

No.6 Gray (No indicating line)	No.7 Gray (No indicating line)	No.8 Red
No.9 Red	No.10 Gray	



CONTROL PANEL (UPPER) SECTION Parts List

Mark No.	Description	Part No.	Mark No.	Description	Part No.
1	C1EQ Assy	DWS1326	31	Touch Panel	DSX1062
2	C2EQ Assy	DWS1327	32	Bracket	DNH2574
3	MICB Assy	DWX2318	33	Gasket	DEC2632
4	HPBO Assy	DWX2319	34	LCD Module	DAV1002
5	LCD Assy	DWX2317	35	Diffusion Sheet	DEC2619
6	Rotary Knob (Small: Gray)	DNK4205	36	Lighting Conductor	DNK4200
7	Rotary Knob (Small: Gray)	DNK4203	37	Reflection Sheet	DEC2620
8	Rotary Knob (Small: Red)	DNK4204	38	LCD Holder	DNK4199
9	Rotary Knob (Large: Red)	DNK4202	39	LCD Holder (M)	DNK4225
10	Rotary Knob (Large: Gray)	DNK4201	40	Earth Spring	DBK1248
11	Slider Knob (S)	DNK4211	41	Earth Bracket	DNH2575
12	SW Packing (D)	DEC2580	42	Tap Knob	DNK4209
13	Escutcheon	DNK4222	43	Preset Knob	DNK4306
14	Control Panel (U9)	DNB1120	44	Tact Knob (E)	DNK4265
15	Push SW Guide	DNK4208	45	Tact Knob	DNK4213
16	SW Packing (C)	DEC2621	46	Shade Sheet	DEC2631
17	SW Packing (B)	DEC2574	47	LED Lens (C)	DNK4217
18	Fader Packing (B)	DEC2572	48	Earth Lug Assy	DDX1191
19	•••••		49	Shield Sheet D	DEC2579
20	Flange Nut	DBN1004	50	Flexible Cable (21P)	DDD1237
21	SW Packing (A)	DEC2573	51	Rivet	RBM-003
22	65 Label (S)	See Contrast table(2)	52	Screw	PBA1062
NSP 23	Panel Stay (U9)	DND1250	53	Screw	AMZ26P040FMC
24	Shield Sheet E	DEC2581	54	Screw	BBZ30P060FZK
25	LED Lens (A)	DNK4215	55	Screw	BPZ30P080FMC
26	Push SW Knob (A)	DNK4206	56	Screw	CMZ26P050FZK
27	Cue Earth Plate	DBK1252	57	Screw	DBA1141
28	Flexible Cable (7P)	DDD1244	58	Knob Cushion L	DEC2656
29	•••••		59	Knob Cushion R	DEC2657
30	Earth Plate	DNH2577	60	Cue Fader Bracket	DNF1690

(2) CONTRAST TABLE

DJM-909/ KUCXJ, DJM-909/ WYXJ and DJM-909/ TLTXJ are constructed the same except for the following :

Mark	No.	Symbol and Description	DJM-909 KUCXJ	DJM-909 WYXJ	DJM-909 TLTXJ
	22	65 Label (S)	DRW2164	Not used	Not used

2.5 FRONT PANEL SECTION

A

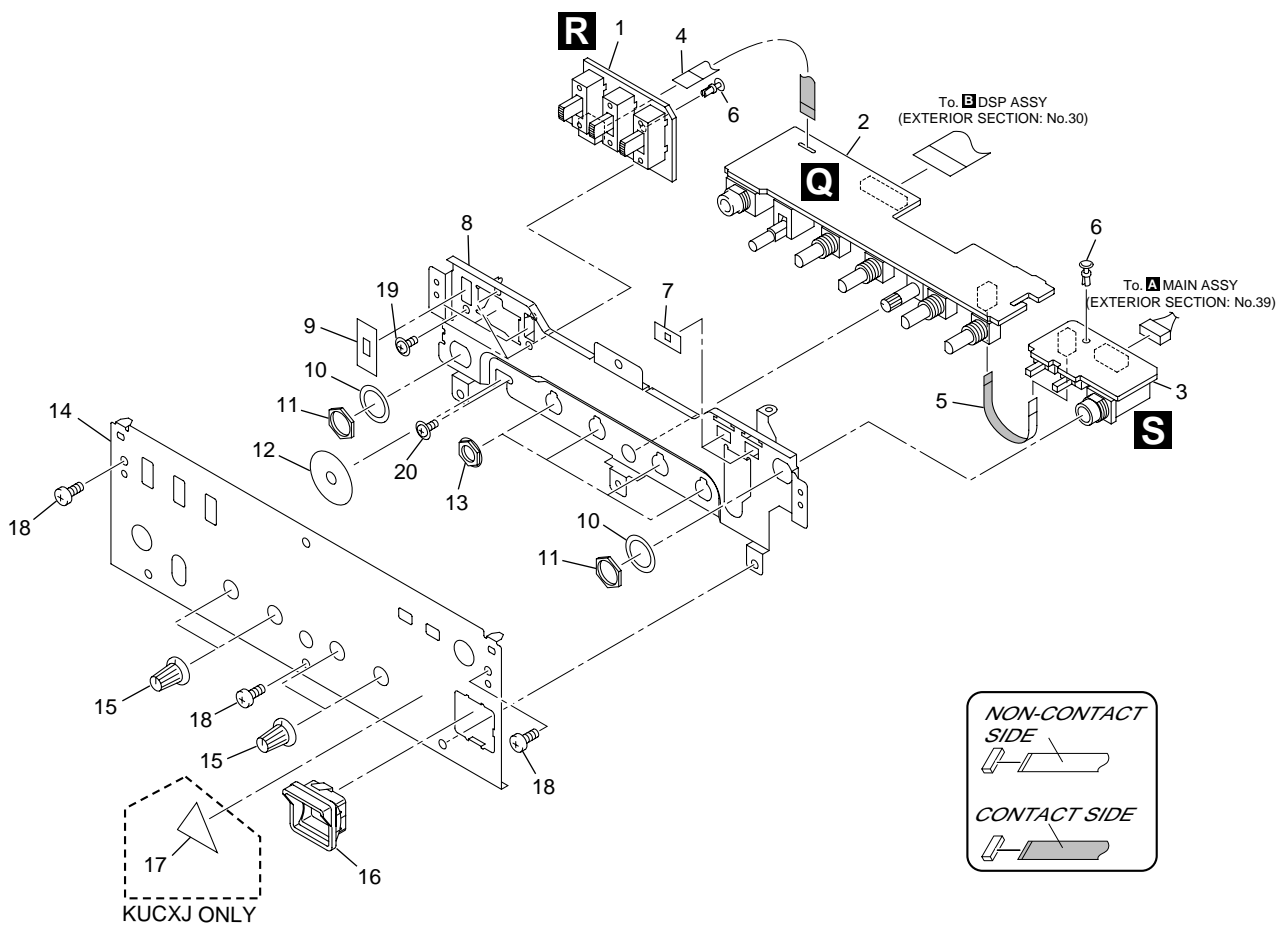
B

C

D

E

F



FRONT PANEL SECTION Parts List

<u>Mark No.</u>	<u>Description</u>	<u>Part No.</u>	<u>Mark No.</u>	<u>Description</u>	<u>Part No.</u>
1	RVSW Assy	DWS1332	11	Nut	NKX2FUC
2	CFVR Assy	DWS1331	12	SW Packing (A)	DEC2573
3	FSSW Assy	DWS1333	13	Flange Nut	DBN1004
4	Flexible Cable (6P)	DDD1235	14	Front Panel (9)	DNB1119
5	Flexible Cable (3P)	DDD1236	15	Rotary Knob (SS)	DAA1162
6	Rivet	RBM-003	16	Power Knob Guide	DNK4198
7	Slide Packing (B)	DEC2590	NSP 17	Caution Label	See Contrast table(2)
NSP 8	Front Panel Stay	DNH2571	18	Screw	BBZ30P060FZK
9	Slide SW Packing (A)	DEC2589	19	Screw	AMZ26P040FMC
10	Washer	DBE1010	20	Screw	PMA30P060FMC

(2) CONTRAST TABLE

DJM-909/ KUCXJ, DJM-909/ WYXJ and DJM-909/ TLTXJ are constructed the same except for the following :

Mark	No.	Symbol and Description	DJM-909 KUCXJ	DJM-909 WYXJ	DJM-909 TLTXJ
NSP	17	Caution Label	DRW1975	Not used	Not used