

PARTS LIST OF P.W.B. UNIT

* Parts for which "nsp" is indicated on this table cannot be supplied.


* The parts listed below are for maintenance only, might differ from the parts used in the unit in appearances or dimensions.

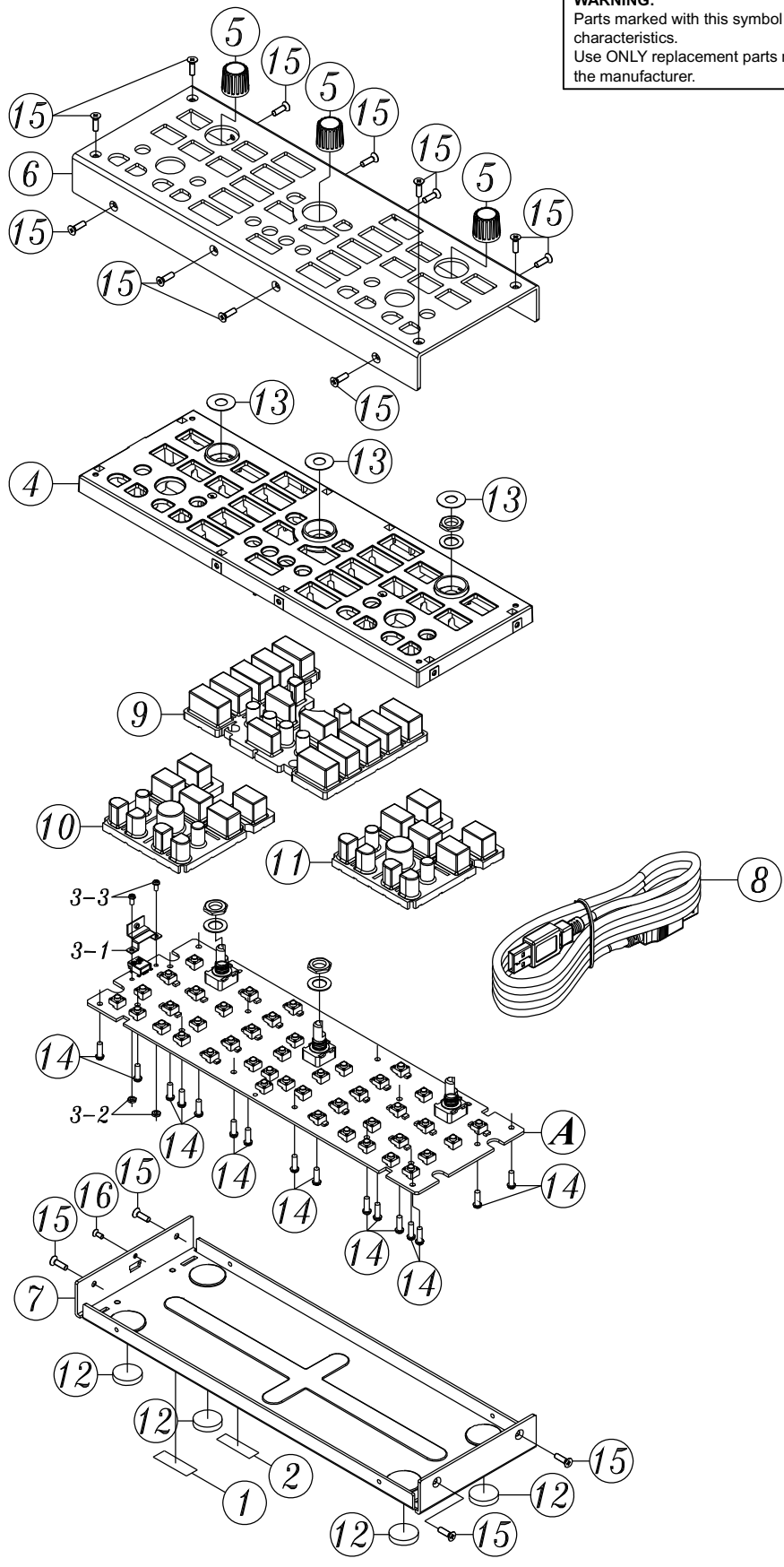
CONTROL PWB ASS'Y

Ref. No.	Part No.	Part Name	Remarks	Q'ty	New
SEMICONDUCTORS GROUP					
IC101	941243003250P	CONTROL IC ASS'Y IC(MC9S08JM32,LQFP-64P)		704-HC1000-8757	
IC102-IC104	00D9587058709	IC(74AHC595DR,SOP-16)		417-HDJ9800-643	*
IC105	00D9587058204	IC(BA033FP-E2,TO-252-3)		417-CTB200-500	*
IC106	941239003100S	IC(BD4740G)		417-9000-740	*
Q101-Q118	00D9587057700	TRANSISTOR(DTC114EKAT146,SMT3)		416-HDJ2460-234	
D101A	941263002620S	CHIP LED(JA-3020YG,3*2,YELLOW/GREEN)		410-MIX101-374	*
D101B	941263002620S	CHIP LED(JA-3020YG,3*2,YELLOW/GREEN)		410-MIX101-374	*
D101-D107	nsp	SWITCHING DIODE(1SS355,UMD2,SMD,TAPING)		414-CD1000-075	
D102A,D103A	941263002610S	CHIP LED(YELLOW,JA-3020Y,3*2)		410-F300-377	*
D102B,D103B	941263002610S	CHIP LED(YELLOW,JA-3020Y,3*2)		410-F300-377	*
D104A	941263003110S	CHIP LED(JA-3020R,3*2,RED)		410-MIX101-373	*
D104B	941263003110S	CHIP LED(JA-3020R,3*2,RED)		410-MIX101-373	*
D105A-D113A	941263002610S	CHIP LED(YELLOW,JA-3020Y,3*2)		410-F300-377	*
D105B-D113B	941263002610S	CHIP LED(YELLOW,JA-3020Y,3*2)		410-F300-377	*
D108-D111	nsp	ESD DIODE(EDZCTE616.8B,150MW/6.93V,EMD2)		414-RMP3-285	
D114A	941263003110S	CHIP LED(JA-3020R,3*2,RED)		410-MIX101-373	*
D114B	941263003110S	CHIP LED(JA-3020R,3*2,RED)		410-MIX101-373	*
D115A	941263002610S	CHIP LED(YELLOW,JA-3020Y,3*2)		410-F300-377	*
D115B	941263002610S	CHIP LED(YELLOW,JA-3020Y,3*2)		410-F300-377	*
D116A	941263002620S	CHIP LED(JA-3020YG,3*2,YELLOW/GREEN)		410-MIX101-374	*
D116B	941263002620S	CHIP LED(JA-3020YG,3*2,YELLOW/GREEN)		410-MIX101-374	*
D117A,D118A	941263002610S	CHIP LED(YELLOW,JA-3020Y,3*2)		410-F300-377	*
D117B,D118B	941263002610S	CHIP LED(YELLOW,JA-3020Y,3*2)		410-F300-377	*
D119	nsp	SWITCHING DIODE(1SS355,UMD2,SMD,TAPING)		414-CD1000-075	
D120	nsp	DIODE(SMAJ6.0A,400W/6.0V,DO-214AC)		414-UDJ200-284	
D121-D172	nsp	SWITCHING DIODE(1SS355,UMD2,SMD,TAPING)		414-CD1000-075	
RESISTORS GROUP					
R101	nsp	CHIP RESISTOR(10K OHM,1/10W,J,TP ,50V)		412-CDVD2001-534	
R104,R105	nsp	CHIP RESISTOR(10 OHM,1/10W,J,TP,50V)		412-810-966	
R106	nsp	CHIP RESISTOR(0 OHM,1/10W3,J,TP,50V)		412-CDVD2001-552	
R107	nsp	CHIP RESISTOR(1M OHM,1/10W,J,TP ,50V)		412-CDVD2001-546	
R108	nsp	CHIP RESISTOR(10K OHM,1/10W,J,TP ,50V)		412-CDVD2001-534	
R110A	nsp	CHIP RESISTOR(100 OHM,1/10W,J,TP,50V)		412-CDVD2001-530	
R110B	nsp	CHIP RESISTOR(100 OHM,1/10W,J,TP,50V)		412-CDVD2001-530	
R111A,R112A	nsp	CHIP RESISTOR(150 OHM,1/10W,J,TP ,50V)		412-CD900-795	
R111B,R112B	nsp	CHIP RESISTOR(150 OHM,1/10W,J,TP ,50V)		412-CD900-795	
R113A	nsp	CHIP RESISTOR(270 OHM,1/10W,J,TP ,50V)		412-007USB-698	
R113B	nsp	CHIP RESISTOR(270 OHM,1/10W,J,TP ,50V)		412-007USB-698	
R114A-R122A	nsp	CHIP RESISTOR(150 OHM,1/10W,J,TP ,50V)		412-CD900-795	
R114B-R122B	nsp	CHIP RESISTOR(150 OHM,1/10W,J,TP ,50V)		412-CD900-795	
R123A	nsp	CHIP RESISTOR(270 OHM,1/10W,J,TP ,50V)		412-007USB-698	
R123B	nsp	CHIP RESISTOR(270 OHM,1/10W,J,TP ,50V)		412-007USB-698	
R124A	nsp	CHIP RESISTOR(150 OHM,1/10W,J,TP ,50V)		412-CD900-795	
R124B,	nsp	CHIP RESISTOR(150 OHM,1/10W,J,TP ,50V)		412-CD900-795	
R125A	nsp	CHIP RESISTOR(100 OHM,1/10W,J,TP,50V)		412-CDVD2001-530	
R125B	nsp	CHIP RESISTOR(100 OHM,1/10W,J,TP,50V)		412-CDVD2001-530	
R127A,R128A	nsp	CHIP RESISTOR(150 OHM,1/10W,J,TP ,50V)		412-CD900-795	

	Ref. No.	Part No.	Part Name	Remarks		Q'ty	New
	R127B,R128B	nsp	CHIP RESISTOR(150 OHM,1/10W,J,TP ,50V)		412-CD900-795		
	R129	nsp	CHIP RESISTOR(10K OHM,1/10W,J,TP ,50V)		412-CDVD2001-534		
	R130-R143	nsp	CHIP RESISTOR(100 OHM,1/10W,J,TP,50V)		412-CDVD2001-530		
CAPASITORS GROUP							
	C101-C103	nsp	CHIP CAPACITOR(0.1uF/50V,Z)		413-DCM280-773		
	C104	941134000520S	E.C.(4.7uF/25V,MINI)		413-SMX701-712		
	C105	nsp	CHIP CAPACITOR(0.47uF/16V,Z)		413-U101-928		
	C106	nsp	CHIP CAPACITOR(0.1uF/50V,Z)		413-DCM280-773		
	C107	941134001550S	ELEC. CAPACITOR(10uF/25V,M)(Cd,Pb,Hg,Cr)		413-DV300-5155		
	C108	nsp	CHIP CAPACITOR(0.1uF/50V,Z)		413-DCM280-773		
	C109	00D9587054907	ELEC. CAPACITOR(100uF/10V,M)(Cd,Pb,Hg,Cr)		413-HMA2200-5017		
	C110,C111	nsp	CHIP CAPACITOR(30pF/50V,J)		413-007USB-783		
	C112-C117	nsp	CHIP CAPACITOR(0.01uF/50V,K)		413-DCM280-771		
	C118-C121	nsp	CHIP CAPACITOR(0.1uF/50V,Z)		413-DCM280-773		
	C122	941134001550S	ELEC. CAPACITOR(10uF/25V,M)(Cd,Pb,Hg,Cr)		413-DV300-5155		
	C123	00D9587054907	ELEC. CAPACITOR(100uF/10V,M)(Cd,Pb,Hg,Cr)		413-HMA2200-5017		
	C124	00D9587030701	ELEC. CAPACITOR(2.2uF/50V,M)(Cd,Pb,Hg,Cr)		413-DV300-5156		
OTHER PARTS GROUP							
	JK101	941643003230S	MINI USB JACK(B TYPE)		420-HC1000S-337		*
	L101	nsp	INDUCTOR(10uH,AL0204ST-100K-S-A,TAPING)		415-HMD5000-097		
	L102	nsp	BEAD CORE(TB36-863445NP T-26mm)		415-HV3500K-090		
	L103	nsp	CHIP BEAD(ACM2012-900-2P-T)		415-FU800-305		
	SW101-SW143	941662001160S	TACT SW(H=5mm,TAPING)		403-DCM270X-101A		
	SW144-SW146	941663003240S	ENCODE SW(RE111F-41B1-15F-20P)		403-TU3-319		*
	X101	nsp	CRYSTAL(12MHz)		427-KMD3500-047		*
		nsp	NUT		601-1000S-043		
		nsp	SCREW(DIA. 2*5 P=0.4)		602-DD2220-301		

EXPLODED VIEW

WARNING:
 Parts marked with this symbol  have critical characteristics.
 Use **ONLY** replacement parts recommended by the manufacturer.



PARTS LIST OF EXPLODED VIEW

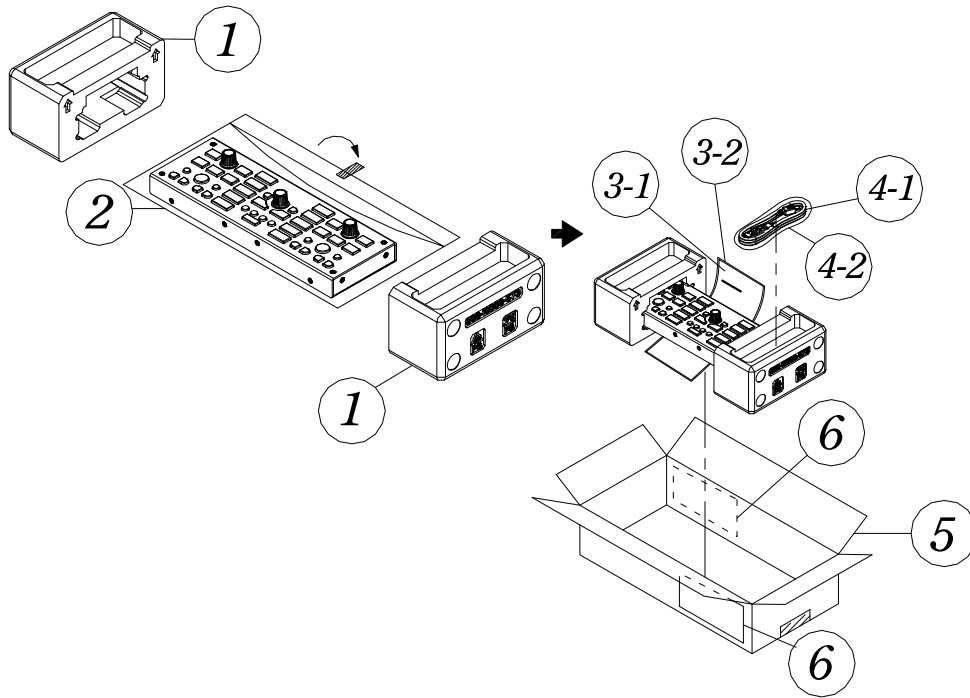
* Parts for which "nsp" is indicated on this table cannot be supplied.

* P.W.B. ASS'Y for which "nsp" is indicated on this table cannot be supplied. When repairing the P.W.B. ASS'Y, check the board parts table and order replacement parts.

* The parts listed below are for maintenance only, might differ from the parts used in the unit in appearances or dimensions.

Ref. No.	Part No.	Part Name	Remarks	Q'ty	New	
A	nsp	CONTROL PWB ASS'Y		704-HC1000-8755	1	*
1	nsp	SHIPPING LABEL-DATE LABEL(24*7mm,t=01mm)		701-H1000SEM-3655	1	
2	nsp	LABEL(24*8mm,t=01mm)		701-H1000SEM-3655	1	
3-1	nsp	GROUND PLATE		300-1000S-1775	1	
3-2	nsp	NUT		601-1000S-043	2	
3-3	nsp	SCREW(DIA. 2*5 P=0.4)		602-DD2220-301	2	
4	nsp	FRAME		100-1000S-2735	1	
5	941412003130P	JOG TUNING KNOB		100-1000S-2736	3	*
6	941402003120P	FRONT PANEL		300-1000S-1773	1	*
7	nsp	BASE		300-1000S-1774	1	*
8	nsp	USB SIGNAL WIRE		408-HC1000S-102	1	
9	941411003160P	SOFT KNOB		604-1000S-529	1	*
10	941411003170P	SOFT KNOB L		604-1000SL-530	1	*
11	941411003180P	SOFT KNOB R		604-1000SR-530	1	*
12	nsp	FOOT(PORON,BLACK, φ 15*3t)		612-HV3500K-055	4	
13	nsp	FIBROUS		612-1000S-348	3	*
SCREWS						
14	nsp	SCREW(SAE1018,PTP,M2.6*L8)		602-SL24F-099	16	
15	nsp	SCREW(BTF2.6*9)		602-BTF2609-685B	16	
16	nsp	SCREW(FM2*5)		602-ISOF2005-686B	1	

PACKING VIEW



PARTS LIST OF PACKING & ACCESSORIES

* Parts for which "nsp" is indicated on this table cannot be supplied.

* The parts listed below are for maintenance only, might differ from the parts used in the unit in appearances or dimensions.

Ref. No.	Part No.	Part Name	Remarks	Q'ty	New	
1	941533003200P	POLYFOAM		506-1000S-573	2	*
2	941535003210S	SOFT BAG		509-1000S-267	1	*
3-1	941541003220P	INSTRUCTION MANUAL		502-DHC1000-2824	1	*
3-2	nsp	PE BAG		505-DJ2500H-014	1	
4-1	nsp	USB SIGNAL WIRE		408-HC1000S-102	1	
4-2	nsp	POLYBAG		505-HM500A-049	1	
5	941531003190P	GIFT BOX		507-1000S-3126	1	*
6	nsp	BAR CODE		701-H1000SEM-4697	1	