

PARTS LIST OF P.W.B. UNIT

* Parts for which "nsp" is indicated on this table cannot be supplied.

* The parts listed below are for maintenance only, might differ from the parts used in the unit in appearances or dimensions.

Note: The symbols in the column "Remarks" indicate the following destinations.
 E3: U.S.A. & Canada model E2: Europe model

8U-110042E3 POWER P.W.B. UNIT ASS'Y (E3 model) 8U-110042E2 POWER P.W.B. UNIT ASS'Y (E2 model)

Ref. No.	Part No.	Part Name	Remarks	Q'ty	New
SEMICONDUCTORS GROUP					
IC101	8R2411001900P	S3700 SUBROM ASSY (R5F71252N50FA)			
IC102	00D2621875900	BU4066BCF-T1 +C			
IC103	00D2622557900	SN74LV14APW-EL2 +REF			
IC104-106	00MHC10011090	NJM4558M-TE1			
IC107	00D2631192903	NJU7043V +REF			
IC108	00D2622557900	SN74LV14APW-EL2 +REF			
IC109	237810007505S	LTC2624CGN			
IC802	00D2623332904	PCM1791ADBR +REF			
IC804	00D2631071901	OPA2134UA +C			
IC806	00D2621953903	TC7WU04F +C			
IC809	00D2631206912	TA76432F			
IC901	nsp	RADIATOR SUB ASSY (STR-W6765N(LF2003))			
IC903	00D2623047008	PC123Y22			
IC905	00D2623698004	BA33BC0WT-V5			
IC906	231010043006S	SI-8105QL			
TR101	00D2710260905	2SA1036KT146(S/R) +C			
TR102-104	00D2690082902	DTC114EKT96 +C			
TR106	00D2690083901	DTA114EKT96 +C			
TR107	00D2730487904	2SC2412K_T146R			
TR114,115	00D2690082902	DTC114EKT96 +C			
TR116	00D2690083901	DTA114EKT96 +C			
TR117	00D2690082902	DTC114EKT96 +C			
TR118,119	00D2730487904	2SC2412K_T146R			
TR120	00D2690082902	DTC114EKT96 +C			
TR801	00D2690082902	DTC114EKT96 +C			
TR802	00D2690083901	DTA114EKT96 +C			
TR803	00D2690082902	DTC114EKT96 +C			
TR804	00D2730487904	2SC2412K_T146R			
TR806	00D2690083901	DTA114EKT96 +C			
TR807	00D2690082902	DTC114EKT96 +C			
TR808-810	00D2730460905	KTC2875-B-RTK/P			
TR811	00D2730487904	2SC2412K_T146R			
TR813	00D2740211908	2SD1898T100			
TR814	00D2720156902	2SB1260-Q +C			
TR816	00D2720156902	2SB1260-Q +C			
TR817	00D2730487904	2SC2412K_T146R			
TR818	222850005505S	RHK003N06			
TR819	00D2740211908	2SD1898T100			
TR820	00D2730460905	KTC2875-B-RTK/P			
TR821,822	00D2730487904	2SC2412K_T146R			
TR823	00D2710309905	2SA1037AKT146S			
TR914	00D2690083901	DTA114EKT96 +C			
TR915	00D2690082902	DTC114EKT96 +C			

NOTE :
 When update Firmware, please confirm a last version in SDI.
 Use the service board after updating it.

	Ref. No.	Part No.	Part Name	Remarks	Q'ty	New
	D101-108 D801	00D2760717903 00D2760560901	1SS355 TE-17 +C DAN202KT146 +C			
	D810,811 D812 D813 D814 D901,902	00D2760727919 00D2760757002 00D2760813001 00D2760717903 201050005001S	AL01ZT (WK) FML-G12S AP01C 1SS355 TE-17 +C RN-2Z(LF013216)			
	D903 D904 D905 D906 D907,908	00D2760727919 00D2760757002 00D2760727919 203850012502S 00D2760727919	AL01ZT (WK) FML-G12S AL01ZT (WK) SJPB-L4 AL01ZT (WK)			
	D909 D910,911 D912 D914-917 D918	00D2760757002 201050005001S 00D2760813001 00D2760729904 00D2760813001	FML-G12S RN-2Z(LF013216) AP01C EM01AT (V1) AP01C			
	D920 D921 D922 D923 D925	00D2760727919 00D2760560901 00D2760559909 00MHZ20018050 00MHZ20018050	AL01ZT (WK) DAN202KT146 +C DAP202KT146 +C 1SS302 (TE85L F) (TOSHIBA) 1SS302 (TE85L F) (TOSHIBA)			
	ZD801,802 ZD803 ZD804 ZD901	00MHZ3001721Y 00D2760798906 00D2760683901 00D2760760963	UDZS 10B (TE-17) ROHM UDZS6.2B-TE17 UDZS5.6B-TE17 +C MTZJ6.2B T77			
	ZD902 ZD903 ZD906 ZD908 ZD909	00D2760761959 00D2760760976 00D2760762945 00D2760798948 00D2760683901	MTZJ15B T77 MTZJ6.8B T77 MTZJ36B T77 UDZS8.2B-TE17 UDZS5.6B-TE17 +C			
	LD101 TH101	00D3939608907 00D2790052007	SLR342MC(TB7) NTPAD8R0LDNB0			
RESISTORS GROUP						
	R131,132 R140 R141	nsp nsp nsp	RM73B--103DT(1608) +1608 RM73B--102DT(1608) RM73B--103DT(1608) +1608			
	R144 R146 R149,150 R152-155 R156-164	nsp nsp nsp nsp nsp	RM73B--103DT(1608) +1608 RM73B--103DT(1608) +1608 RM73B--102DT(1608) RM73B--102DT(1608) RM73B--103DT(1608) +1608			
	R166 R167 R172 R173 R178	nsp nsp nsp nsp nsp	RM73B--222DT(1608) RM73B--223DT(1608) RM73B--222DT(1608) RM73B--223DT(1608) RM73B--222DT(1608)			
	R179 R183-188 R189	nsp nsp nsp	RM73B--223DT(1608) RS14B3D010JNBST(S) RS14B3AR10J(ERX)			

	Ref. No.	Part No.	Part Name	Remarks	Q'ty	New
	R190	nsp	RM73B--103DT(1608) +1608			
	R191	nsp	RM73B--102DT(1608)			
	R192	nsp	RM73B--103DT(1608) +1608			
	R193,194	nsp	RM73B--473DT(1608)			
	R195	nsp	RS14B3AR10J(ERX)			
	R196	nsp	RM73B--103DT(1608) +1608			
	R197,198	nsp	RM73B--473DT(1608)			
	R233	nsp	RM73B--103DT(1608) +1608			
	R234	nsp	RM73B--102DT(1608)			
	R235	nsp	RM73B--103DT(1608) +1608			
	R236	nsp	RM73B--102DT(1608)			
	R237,238	nsp	RM73B--103DT(1608) +1608			
	R239	nsp	RM73B--202DT(1608)			
	R240	nsp	RM73B--511DT(1608)			
	R241	nsp	RM73B--103DT(1608) +1608			
	R803	nsp	RM73B--152DT(1608)			
	R804	nsp	RM73B--751DT(1608)			
	R806	nsp	RM73B--183DT(1608)			
	R818	nsp	RM73B--182DT			
	R819	nsp	RM73B--622DT			
	R820	nsp	RM73B--681DT			
	R822-824	nsp	RM73B--182DT			
	R825,826	nsp	RM73B--622DT			
	R827-829	nsp	RM73B--681DT			
	R830	nsp	RM73B--622DT			
	R837,838	nsp	RM73B--151DT			
	R840	nsp	RM73B--151DT			
	R843	nsp	RM73B--151DT			
	R857	nsp	RM73B--433DT(1608)			
	R858	nsp	RM73B--302DT(1608)			
	R859	nsp	RM73B--512DT(1608)			
	R861	nsp	RM73B--101DT(1608)			
	R862	nsp	RM73B--562DT(1608)			
	R863	nsp	RM73B--332DT(1608)			
	R869	nsp	RM73B--222DT(1608)			
	R911	nsp	RS14B3D224JNBF (ERG)			
	R925	nsp	RS14B3D104JNBF(ERG)			
	R927	nsp	RS14B3DR51JNBST(S)			
	R931	nsp	RS14B3D224JNBF (ERG)			
	R938	nsp	RS14B3A821JNBST(S)			
CAPACITORS GROUP						
	C101	nsp	CK73B1H102KT +1608			
	C102,103	nsp	CK73F1E104ZT +1608			
	C104	00D2544538900	CE04W1C100MT SMG/RE3			
	C105-109	nsp	CK73F1E104ZT +1608			
	C110,111	nsp	CC73CH1H220JT +1608			
	C112-114	nsp	CK73F1E104ZT +1608			
	C115	00D2544538900	CE04W1C100MT SMG/RE3			
	C116-120	nsp	CK73B1H102KT +1608			
	C121	nsp	CK73B1E223KT +1608			
	C122-127	nsp	CK73F1E104ZT +1608			
	C128	nsp	CK73B1E223KT +1608			
	C129	nsp	CK73F1E104ZT +1608			
	C130	nsp	CK73B1E223KT +1608			

Ref. No.	Part No.	Part Name	Remarks	Q'ty	New
C131,132	nsp	CK73F1E104ZT +1608			
C133	nsp	CK73B1E223KT +1608			
C134,135	nsp	CK73F1E104ZT +1608			
C136-138	nsp	CK73F1H103ZT +1608			
C139-144	nsp	CK73B1E105KT +2125			
C145	nsp	CK73F1E104ZT +1608			
C146,147	nsp	CK73B1H102KT +1608			
C148-151	nsp	CK73F1E104ZT +1608			
C152,153	nsp	CK73B1H102KT +1608			
C154,155	nsp	CK73F1E104ZT +1608			
C156,157	00D2570521949	CK73B1A474KT			
C158,159	00D2544536915	CE04W1A470MT SMG/RE3			
C160	nsp	CK73F1H103ZT +1608			
C161	00D2544538900	CE04W1C100MT SMG/RE3			
C162-165	00D2570521949	CK73B1A474KT			
C168	nsp	CK73B1H103KT (1608) +1608			
C169,170	nsp	CK73B1H104KT +1608			
C801	nsp	CK73F1E104ZT +1608			
C802	1340100235070	RA2-10V471MG3#8-T2			
C803	nsp	CK73F1E104ZT +1608			
C804	1340100705030	RA2-50V100ME3E#8-T2			
C805	nsp	CK73F1E104ZT +1608			
C806	1340100455070	RA2-25V101MF3#8-T2			
C807	nsp	CK73F1E104ZT +1608			
C808	nsp	CC73CH1H561JT +1608			
C809,810	nsp	CC73CH1H272JT +1608			
C811-813	nsp	CC73CH1H561JT +1608			
C814	nsp	CK73F1H103ZT +1608			
C815,816	nsp	CK73F1E104ZT +1608			
C819,820	00MOA47601620	47 UF M 16V RA-2			
C821	nsp	CK73B1H102KT +1608			
C822	nsp	CK73B1H103KT (1608) +1608			
C823	nsp	CK73F1E104ZT +1608			
C824	00D2544536928	CE04W1A101MT SMG/RE3			
C825,826	nsp	CC73CH1H121JT +1608			
C828	nsp	CK73B1A105KT +1608			
C836,837	nsp	CK73B1H682KT +1608			
C838	nsp	CK73F1H473ZT +1608			
C846,847	00D2544710906	CE04W1C331MT HB5(KY)			
C851-853	nsp	CK73F1E104ZT +1608			
C857	00D2544536915	CE04W1A470MT SMG/RE3			
C860	00D2561059912	CF93A1H224JT (JL)			
C901	nsp	CK73B1H102KT +1608			
C903	00D2538022707	CK45F2EAC103MC			
C905	nsp	CK73B1H102KT +1608			
C906	00D2568038004	CF99--2EAC104M			
C907	00D2538029713	CK45F2EAC471KC(KX)			
C908	00MOA47601620	47 UF M 16V RA-2			
C909,910	00D2538029713	CK45F2EAC471KC(KX)			
C911	nsp	CC73CH1H471JT +1608			
C912	nsp	CK73B1E683KT(1608) +1608			
C913	nsp	CK73B1E105KT +2125			
C914	00D2544589713	CE04W2G101MC(KMG)			
C915	00D2544525900	CE04W1H330MT SMG/RE3			
C916	nsp	CC73CH2A221JT +1608			
C917	nsp	CC73CH1H152JT +1608			

	Ref. No.	Part No.	Part Name	Remarks	Q'ty	New
	C918	00D2534546708	CC45SL3D471JC			
	C919	132550013507S	CK73B2J103KT(3216)			
	C921	134050077502S	CE04W1J560MT HB5(KY)			
	C922	00D2544524985	CE04W1H100MT SMG/RE3			
	C923,924	00MOA47702520	470UF 25V M RA-2			
	C925	nsp	CK73B1H105KT			
	C926	00D2544713712	CE04W1E222MC K35(KY)			
	C927	00D2544538942	CE04W1C101MT SMG/RE3			
	C928	00MOA47601620	47 UF M 16V RA-2			
	C929	134050078505S	CE04W1J150MT E11(KY)			
	C931	nsp	CK73B1H102KT +1608			
	C936	00D2538029713	CK45F2EAC471KC(KX)			
	C937	nsp	CK73B1H102KT +1608			
	C939	nsp	CK73B1H102KT +1608			
	C940	nsp	GRM32EB31C476KE15L			
	C941	00D2544757707	CE04W1E272MC L25(KY)			
	C942	nsp	GRM32EB31C476KE15L			
	C943	00D2544757707	CE04W1E272MC L25(KY)			
	C948	00D2544589713	CE04W2G101MC(KMG)			
	C951	00D2544710906	CE04W1C331MT HB5(KY)			
	C952	00D2544536928	CE04W1A101MT SMG/RE3			
	C953	nsp	CK73B1E104KT +1608			
	C954	nsp	CC73CH1H560JT +1608			
	C955	nsp	CK73B1E104KT +1608			
	C956	00D2544536928	CE04W1A101MT SMG/RE3			
	C957	00D2544538913	CE04W1C220MT SMG/RE3			
	C958	nsp	CK73F1E104ZT +1608			
	C959	00D2544651913	CE04W0J102MT H15(KY)			
	C961	nsp	CK73B1H103KT (1608) +1608			
	C962	nsp	CC73CH1H181JT +1608			
	C963	nsp	CK73F1E104ZT +1608			
	C964	nsp	GRM21BB31E475KA75			
	C967	nsp	CK73F1E104ZT +1608			
	C970	nsp	CK73F1E104ZT +1608			
	C971	nsp	CK73B1E223KT +1608			
	C973,974	00D2544542705	CE04W1E471MC SMG/RE3			
	C975,976	nsp	CK73B1E104KT +1608			
	C981	1340100445040	RA2-25V470ME3#8-T2			
OTHERS PARTS GROUP						
	AS108-110	nsp	RADIATOR SUB ASSY			
	AS901	nsp	RADIATOR SUB ASSY			
	AS903	nsp	CONDENSER COVER			
	CW071	nsp	7P KR-DA L=200			
	CW091	nsp	9P KR-DA L=220			
	CX021	nsp	2P VH CON BASE (White)			
	CX022	nsp	2P VH CONNECTOR BASE			
	CX044	nsp	4P CONN.BASE(KR-PH)			
	CX092	00D2048554008	6P MD JACK (FG)			
	CX121	nsp	12P CONN.BASE(KR-PH)			
	CX141	nsp	14PEH CONNECTOR BASE			
	CY022	nsp	2P VH CONNECTOR BASE			

	Ref. No.	Part No.	Part Name	Remarks	Q'ty	New
	CY091 CY112 CY141 CY181	nsp 00D2051260017 nsp 00D2051397003	9P CONN.BASE(KR-PH) 11P FFC BASE(9610SA) 14PEH CONNECTOR BASE 18P FFC BASE(9610SA)			
⚠	F901	00D2061087073	FUSE (ET1.6A)			
⚠	F902,903	00D2061093012	FUSE 25RF 3.15A F006			
	FB101	00D2350158901	CHIP BEADS(18PG121) +1608			
	FB801	115510017506S	BLM31PG391SN1L			
	FF901	nsp	FUSE CLIP(TAPE)			
	FH901	nsp	FUSE CLIP(TAPE)			
	JK801 JK802	00D2048559003 00D2048593001	2P PIN JACK(S-GND) 1P PIN JACK(OR,NI)			
⚠	JV125	00D2680074904	ICP-N20T			
⚠	JV127	00D2680074904	ICP-N20T			
	L901 L902 L904	00D2350157009 00D2350201007 115010006501S	PLA10AN7720R7D2B PLY10AN8720R7R2 ELC0607RA-330KR92-PF			
	L905 L906	111810003502S 115010013202P	NLCV32T-220J-PF ORD1010-220T100			
⚠	S901	665010008002D	POWER SWITCH (TV-5)			
⚠	T801	102010010009P	ST-3995			
	W901	nsp	M3 SCREW TERMINAL			
	X101	00D3990937002	X'TAL(10MHZ)			
		00MHT41415100 00MHT21020100 nsp	TRANSISTOR 2SD1415 TRANSISTOR 2SB1020 3X6 CBS-Z			

8U-110043 PANEL P.W.B. UNIT ASS'Y

	Ref. No.	Part No.	Part Name	Remarks	Q'ty	New
SEMICONDUCTORS GROUP						
	IC701	00D2622953915	SN74HCT138APW			
	IC702	00D2623694901	SN74LV165APW			
	IC703,704	00D2623690905	TB62725BFNG			
	IC705	00D2622557900	SN74LV14APW-EL2 +REF			
	IC706	00MHC700405IZ	TC74LVX04FT			
	TR701-708	00D2710260905	2SA1036KT146(S/R) +C			
	TR901-904	00D2730487904	2SC2412K_T146R			
	D701	00D2760560901	DAN202KT146 +C			
	D706,707	00D2760559909	DAP202KT146 +C			
	D721-724	00D2760560901	DAN202KT146 +C			
	D731-734	00D2760560901	DAN202KT146 +C			
	D741-744	00D2760560901	DAN202KT146 +C			
	D751	00D2760560901	DAN202KT146 +C			
	D753,754	00D2760560901	DAN202KT146 +C			
	D761-764	00D2760560901	DAN202KT146 +C			
	D771-774	00D2760560901	DAN202KT146 +C			
	ZD901	00D2760760989	MTZJ7.5B T77			
	LD701	00D3939608907	SLR342MC(TB7)			
	LD702	263010030403S	SLI-325URC			
	LD703	00D3939605900	SEL6427EP(TP5)			
	LD704	263010030403S	SLI-325URC			
	LD705	00D3939608907	SLR342MC(TB7)			
	LD706	00D3939674902	SLR343EC4TT32			
	LD708	00D3939608907	SLR342MC(TB7)			
	LD709	263010028400S	SLR-322VR			
	LD710	263010027407S	SLR343BC7TT32			
	LD711	00D3939605900	SEL6427EP(TP5)			
	LD713	263010027407S	SLR343BC7TT32			
	LD714	263010029403S	SLR-322DC			
	LD715	00D3939605900	SEL6427EP(TP5)			
	LD716	00D3939674902	SLR343EC4TT32			
	LD717	00D3939607908	SLR342VC(TB7)			
	LD718	00D3939605900	SEL6427EP(TP5)			
	LD719	263010029403S	SLR-322DC			
	LD720	263010030403S	SLI-325URC			
	LD722	263010030403S	SLI-325URC			
	LD724	263010028400S	SLR-322VR			
	LD725,726	00D3939605900	SEL6427EP(TP5)			
	LD727	00D3939608907	SLR342MC(TB7)			
	LD728,729	263010027407S	SLR343BC7TT32			
	LD730	00D3939609906	SLR342DC(TB7)			
	LD731	00D3939605900	SEL6427EP(TP5)			
	LD732	263010028400S	SLR-322VR			
	LD733,734	00D3939605900	SEL6427EP(TP5)			
	LD735	00D3939609906	SLR342DC(TB7)			
	LD736	263010027407S	SLR343BC7TT32			
	LD737,738	263010028400S	SLR-322VR			
	LD739	00D3939609906	SLR342DC(TB7)			
	LD740,741	00D3939605900	SEL6427EP(TP5)			
	LD742	263010027407S	SLR343BC7TT32			

	Ref. No.	Part No.	Part Name	Remarks	Q'ty	New
	LD743	00D3939608907	SLR342MC(TB7)			
	LD744	00D3939609906	SLR342DC(TB7)			
	LD745	263010029403S	SLR-322DC			
	LD746	263010027407S	SLR343BC7TT32			
	LD747,748	00D3939608907	SLR342MC(TB7)			
	LD749	263010028400S	SLR-322VR			
	LD750	263010029403S	SLR-322DC			
	LD751	263010027407S	SLR343BC7TT32			
	LD752	00D3939609906	SLR342DC(TB7)			
	LD753	263010027407S	SLR343BC7TT32			
	LD754,755	00D3939605900	SEL6427EP(TP5)			
	LD756,757	263010027407S	SLR343BC7TT32			
	LD758	00D3939605900	SEL6427EP(TP5)			
	LD759	263010027407S	SLR343BC7TT32			
	LD760	263010028400S	SLR-322VR			
	LD761	263010029403S	SLR-322DC			
	LD762	263010027407S	SLR343BC7TT32			
	LD763	263010029403S	SLR-322DC			
	LD764	263010027407S	SLR343BC7TT32			
	LD765	263010028400S	SLR-322VR			
	LD766-770	263010027407S	SLR343BC7TT32			
	FL901	172010003000P	(VFD)DM200GINK			
RESISTORS GROUP						
	VR701	00D2115648119	SLIDE VOLUME (100MM)			
CAPACITORS GROUP						
	C701	nsp	CK73F1E104ZT +1608			
	C702	00D2544302974	CE04W1A101MT(SRE)			
	C704	00D2544302974	CE04W1A101MT(SRE)			
	C707-709	nsp	CK73F1E104ZT +1608			
	C710	00D2544302974	CE04W1A101MT(SRE)			
	C711,712	nsp	CK73F1H103ZT +1608			
	C713-715	nsp	CK73F1E104ZT +1608			
	C716	00D2544300918	CE04W0J100MT(SRE)			
	C717	nsp	CK73F1E104ZT +1608			
	C719,720	nsp	CK73F1E104ZT +1608			
	C724	nsp	CK73F1E104ZT +1608			
	C725	00D2544302974	CE04W1A101MT(SRE)			
	C726	nsp	CK73F1E104ZT +1608			
	C736	nsp	CK73F1E104ZT +1608			
	C737	nsp	CK73F1H103ZT +1608			
	C744	nsp	CK73F1E104ZT +1608			
	C745	nsp	CK73F1H103ZT +1608			
	C762,763	nsp	CK73F1E104ZT +1608			
	C764	nsp	CK73F1H103ZT +1608			
	C765	nsp	CK73F1E104ZT +1608			
	C766	nsp	CK73F1H103ZT +1608			
	C769	nsp	CK73F1E104ZT +1608			
	C770	nsp	CK73F1H103ZT +1608			
	C771	nsp	CK73F1E104ZT +1608			
	C772	nsp	CK73F1H103ZT +1608			
	C901	nsp	CK73B1H102KT +1608			

Ref. No.	Part No.	Part Name	Remarks	Q'ty	New
C902	00D2544306925	CE04W1H100MT(SRE)			
C903	nsp	CK73B1H105KT			
C904	nsp	CK73F1E104ZT +1608			
C905,906	nsp	CK73F1H473ZT +1608			
C907	nsp	CK73F1E104ZT +1608			
C908	nsp	CC73CH1H101JT +1608			
C909	nsp	CK73B1H102KT +1608			
C910-912	nsp	CC73CH1H100DT +1608			
C913	nsp	CK73F1E104ZT +1608			
C914	nsp	CK73F1H103ZT +1608			
OTHERS PARTS GROUP					
CW031	nsp	3P KR-DS L=90			
CW032	nsp	3P KR-DS L=300			
CW033	nsp	3P KR-DS L=80			
CW042	nsp	4P KR-DS CON CORD			
CW043	nsp	4P KR-DS L=300(RD)			
CW044	nsp	4P KR-DS L=350			
CW143	nsp	14P KR-DS L=200			
CX031-033	nsp	3P KR CON BASE(L)			
CX042	nsp	4P KR CON BASE(L)			
CX043	nsp	4P KR CON BASE(L)RED			
CY072	nsp	IMSA-9610S-07A-TC			
CY143	nsp	14P KR CON BASE(L)			
CY151	00D2051006051	15P FFC BASE(P=1)			
FB701,702	00D2350158901	CHIP BEADS(18PG121) +1608			
S702	00MSP01013310	SKQNAE H/5MM 160GF			
S703	00D2120410002	ROTARY ENCODER-JOG			
S704-707	00MSP01013310	SKQNAE H/5MM 160GF			
S712-717	00MSP01013310	SKQNAE H/5MM 160GF			
S722-727	00MSP01013310	SKQNAE H/5MM 160GF			
S732-734	00MSP01013310	SKQNAE H/5MM 160GF			
S736,737	00MSP01013310	SKQNAE H/5MM 160GF			
S742-745	00MSP01013310	SKQNAE H/5MM 160GF			
S746	00D2120495001	TOGGLE SW(PADORU)			
S752-757	00MSP01013310	SKQNAE H/5MM 160GF			
S762-767	00MSP01013310	SKQNAE H/5MM 160GF			
S772-775	00MSP01013310	SKQNAE H/5MM 160GF			
S776	00D2120410002	ROTARY ENCODER-JOG			
W901	nsp	1P SIN-SRA L=160			
W902	nsp	1P SIN-SRA L=80(BR)			
	nsp	3LT-6 45 ANGLE 3P LED SPACER			
	nsp	BUFFER(1)			

8U-310011 MAIN P.W.B. UNIT ASS'Y

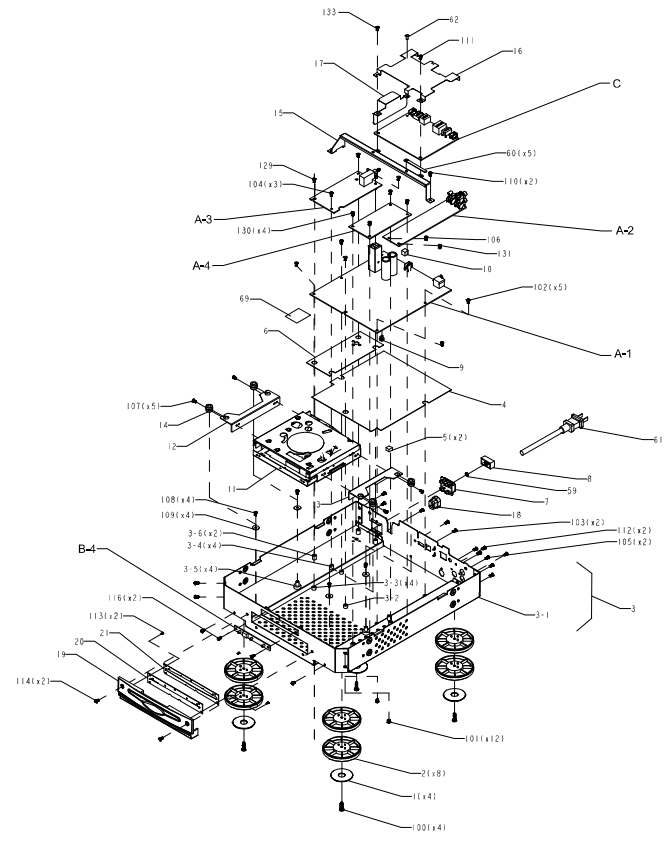
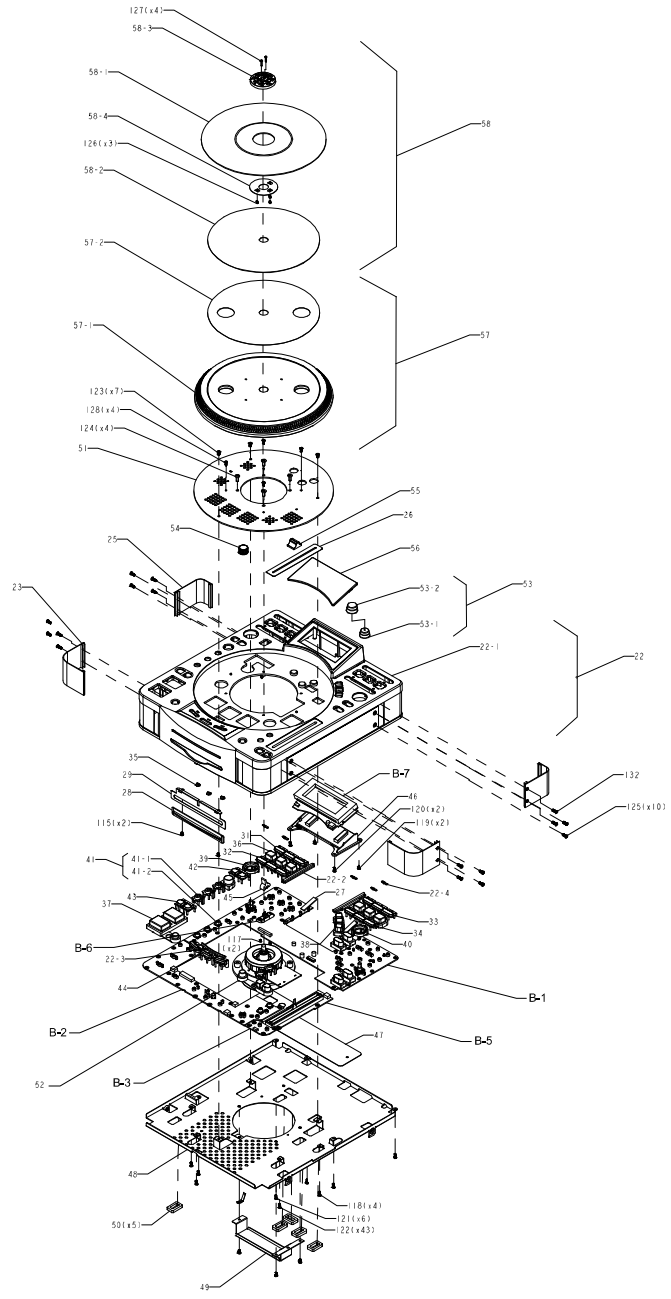
Ref. No.	Part No.	Part Name	Remarks	Q'ty	New
SEMICONDUCTORS GROUP					
IC101 IC102 IC103	00D2622813903 246810019601S 8R2461002000P	SN74AHCT08PW-EL2 +C M12L128168A-5TG S3700 ROM ASSY (W19B160BBT7H)	<div style="border: 1px solid black; border-radius: 10px; padding: 5px; width: fit-content; margin: auto;"> NOTE : When update Firmware, please confirm a last version in SDI. Use the service board after updating it. </div>		
IC104 IC106 IC301 IC302 IC303	nsp 00D2622572901 00D2630934900 00D2623591907 245710002601S	R5S72630P200FP SN74LVU04APW-EL2 +REF BA4510F-E2 +C BD7956FS-E2 BU9547KV			
IC304 IC401 IC402 IC403 IC404	231810012509S 00D2630454901 231810011506S 00D2631281908 236810015503S	BH15LB1WG M51957BFP(TP1) BD2041AFJ BD9130NV-E2 TS3USB221RSER			
IC501 IC502,503 IC504 TR103,104	nsp 246810019601S 00MHC700437SY 00D2690238905	D710E001ZDH300 M12L128168A-5TG SN74LVC1G04DCKR DTA123EKA			
TR105 TR106 TR107 TR108 TR301	00D2690083901 00D2690082902 00D2690083901 00D2690055900 00MHX115861B0	DTA114EKT96 +C DTC114EKT96 +C DTA114EKT96 +C DTA144EKT96 +C 2SA1586 (GR)			
TR302,303 TR401 TR402 TR405 TR406	00D2690055900 00D2690082902 00D2690119901 00D2690083901 00D2690082902	DTA144EKT96 +C DTC114EKT96 +C DTA124EKT96(TAPE) +C DTA114EKT96 +C DTC114EKT96 +C			
TR407 TR408 TR411,412 D101,102	00D2690088906 00D2690082902 00D2690083901 00D2760559909	DTC114TKT96 +C DTC114EKT96 +C DTA114EKT96 +C DAP202KT146 +C			
D103 D104 D201 D402 D403	00D2760560901 00D2760717903 00D2760773905 00D2760858901 00D2760560901	DAN202KT146 +C 1SS355 TE-17 +C RB501V-40 +2125 HZM6.2Z4MWA DAN202KT146 +C			
D404 D405 D501 LD101,102	00D2760858901 00D2760559909 00D2760773905 00MHI10104210	HZM6.2Z4MWA DAP202KT146 +C RB501V-40 +2125 SML-310MT GREEN CHIP LED ROHM			
RESISTORS GROUP					
R153 R341-344	nsp nsp	RM73B--562FT 18K OHM 1/16W			
R345 R354 R419 R423	nsp nsp nsp nsp	30K OHM +- 5% 1/16W 30K OHM +- 5% 1/16W RM73B--123FT +1608 RM73B--472DT(1608)			


Ref. No.	Part No.	Part Name	Remarks	Q'ty	New
R428	nsp	RM73B--103FT +1608			
R429	nsp	RM73B--562FT			
CAPACITORS GROUP					
C101	nsp	CK73F1E104ZT +1608			
C102	nsp	CK73B1H103KT (1608) +1608			
C103	nsp	CK73B1E104KT +1608			
C104	nsp	CC73CH1H470JT +1608			
C105	nsp	CK73F1E104ZT +1608			
C106	nsp	CK73B1E104KT +1608			
C107	nsp	CK73B1H103KT (1608) +1608			
C108	00D2575003983	CC73CH1H470JT			
C109	nsp	CK73B1E104KT +1608			
C110,111	nsp	CK73B1H103KT (1608) +1608			
C112	nsp	CK73F1E104ZT +1608			
C113	nsp	CK73B1A105KT +1608			
C114-117	nsp	CK73F1C104ZT +1005			
C118	00D2544464951	CE67C0J220MT(MV-B) +REF			
C119,120	nsp	CK73F1C104ZT +1005			
C121,122	nsp	CC73CH1H150JT +1608			
C124	nsp	CK73B1E104KT +1608			
C127	nsp	CC73CH1H6R0DT +1608			
C128	00D2544464951	CE67C0J220MT(MV-B) +REF			
C129	nsp	CC73CH1H6R0DT +1608			
C130	nsp	CK73B1E104KT +1608			
C132,133	nsp	CK73F1C104ZT +1005			
C134	nsp	CK73B1H103KT (1608) +1608			
C135,136	nsp	CK73F1C104ZT +1005			
C137	00D2544464951	CE67C0J220MT(MV-B) +REF			
C138	nsp	CK73F1C104ZT +1005			
C139	nsp	CK73B1H332KT +1608			
C140-142	nsp	CK73F1C104ZT +1005			
C143	nsp	CK73B1H332KT +1608			
C144,145	nsp	CK73F1C104ZT +1005			
C146	00D2575003983	CC73CH1H470JT			
C147,148	nsp	CK73F1C104ZT +1005			
C149	00D2575003983	CC73CH1H470JT			
C150,151	nsp	CK73F1C104ZT +1005			
C152	00D2575003983	CC73CH1H470JT			
C153-156	nsp	CK73F1C104ZT +1005			
C157	nsp	GRM32EB31C476KE15L			
C158-173	nsp	CK73F1C104ZT +1005			
C174	00D2544464951	CE67C0J220MT(MV-B) +REF			
C175	00D2575003983	CC73CH1H470JT			
C176,177	00D2574018908	CE67C1A100MT(PXA)			
C178-182	00D2575003983	CC73CH1H470JT			
C184	00D2575003983	CC73CH1H470JT			
C301,302	nsp	CK73B1A104KT +1005			
C303	00D2574012920	CE67C1C470MT (RV2) +REF			
C304	nsp	CK73B1A104KT +1005			
C305	00D2544655922	CE67C0J470MT (RV2) +REF			
C306,307	nsp	CK73B1H103KT (1608) +1608			
C309	00D2574012920	CE67C1C470MT (RV2) +REF			
C310	00D2544656947	CE67C1A101MT (RV2)			
C311	nsp	CK73B1E104KT +1608			

	Ref. No.	Part No.	Part Name	Remarks	Q'ty	New
	C312	00D2544656947	CE67C1A101MT (RV2)			
	C313	00D2574012917	CE67C1C220MT (RV2) +REF			
	C314,315	nsp	CK73B1E104KT +1608			
	C316	00D2574012904	CE67C1C100MT (RV2B55 +REF			
	C317	nsp	CK73B1E104KT +1608			
	C318	nsp	CC73CH1H471JT +1608			
	C319	nsp	CK73B1E104KT +1608			
	C320	00D2544656947	CE67C1A101MT (RV2)			
	C321	nsp	CK73B1A224KT +1608			
	C323,324	nsp	CK73B1E104KT +1608			
	C325	00D2544656947	CE67C1A101MT (RV2)			
	C326-328	nsp	CK73B1A105KT +1608			
	C329	nsp	CK73B1H332KT +1608			
	C330	nsp	CK73B1H152KT +1005			
	C331	nsp	CK73B1A224KT +1608			
	C332	nsp	CK73B1A104KT +1005			
	C333	nsp	CK73B1E104KT +1608			
	C334	00D2544656947	CE67C1A101MT (RV2)			
	C335	nsp	CK73B1A104KT +1005			
	C336	nsp	CK73B1E104KT +1608			
	C337	nsp	CK73B1A104KT +1005			
	C338	00D2544656947	CE67C1A101MT (RV2)			
	C339	00D2574012917	CE67C1C220MT (RV2) +REF			
	C340	nsp	CK73B1E104KT +1608			
	C341	nsp	CK73B1A104KT +1005			
	C342	nsp	CC73CH1H221JT +1608			
	C343	nsp	CK73B1A104KT +1005			
	C344	00D2574012904	CE67C1C100MT (RV2B55 +REF			
	C345	nsp	CK73B1E104KT +1608			
	C346	nsp	CK73B1E103KT(1005)			
	C347,348	nsp	CK73B1A104KT +1005			
	C349	00D2574012917	CE67C1C220MT (RV2) +REF			
	C350	00D2574012904	CE67C1C100MT (RV2B55 +REF			
	C351-353	nsp	CK73B1E104KT +1608			
	C354	nsp	CK73B1A105KT +1608			
	C355	nsp	CK73B1A104KT +1005			
	C356	nsp	CK73F1E104ZT +1608			
	C357	nsp	CK73F1H103ZT +1608			
	C358,359	nsp	CK73B1A104KT +1005			
	C401,402	nsp	CK73B1E104KT +1608			
	C403	00D2574012920	CE67C1C470MT (RV2) +REF			
	C407-409	nsp	CK73B1H103KT (1608) +1608			
	C410,411	nsp	CK73F1E104ZT +1608			
	C412	nsp	CK73B1H103KT (1608) +1608			
	C413-415	nsp	CK73B1A106KT +2125			
	C416	nsp	CK73B1E103KT(1005)			
	C417,418	nsp	CK73F1E104ZT +1608			
	C419	nsp	CK73B1E104KT +1608			
	C420	nsp	CK73F1H103ZT +1608			
	C421	00D2544655906	CE67C0J220MT (RV2) +REF			
	C422	nsp	CK73F1E104ZT +1608			
	C423	00D2544655922	CE67C0J470MT (RV2) +REF			
	C424	nsp	CK73B1E104KT +1608			
	C425	nsp	CK73F1H103ZT +1608			
	C426	nsp	CK73B1E104KT +1608			
	C427	00D2544655906	CE67C0J220MT (RV2) +REF			

Ref. No.	Part No.	Part Name	Remarks	Q'ty	New
C428	nsp	CK73B1E104KT +1608			
C429	00D2574012920	CE67C1C470MT (RV2) +REF			
C430	00D2570521949	CK73B1A474KT			
C433	nsp	CK73B1A106KT +2125			
C434	00D2570039910	CK73B0J226MT			
C501	00D2544464951	CE67C0J220MT(MV-B) +REF			
C502	nsp	CK73F1C104ZT +1005			
C504	nsp	GRM32EB31C476KE15L			
C505-521	nsp	CK73F1C104ZT +1005			
C522	00D2544464951	CE67C0J220MT(MV-B) +REF			
C523-534	nsp	CK73F1C104ZT +1005			
C535	00D2544464951	CE67C0J220MT(MV-B) +REF			
C536	nsp	CK73F1E104ZT +1608			
OTHERS PARTS GROUP					
CX041	00D2051381006	USB CONNECTOR			
CX045	00D2051295008	USB(B)CONNECTOR			
CX071	nsp	7P CONN.BASE(KR-PH)			
CX072	00D2051343950	7P FFC BASE(9610SC)			
CX081	00D2051222000	RJ-45 JACK(GND)			
CX112	00D2051257949	11P FFC BASE (9610SD)			
CX141,142	00MYJ07026260	BM14B-SRSS-TB			
CX151	00D2051343934	15P FFC BASE(9610SC)			
CX181	00D2051378909	18P FFC BASE(9610SD)			
CX222	00D2051260075	22P FFC BASE(9610SA)			
CX241	00D2051264916	24P-FFC-BASE(9631SG)			
FB101-103	00D2350158901	CHIP BEADS(18PG121) +1608			
FB104,105	00D2350130903	CHIP EMIFIL(11A121) +1608			
FB106-110	00D2350158901	CHIP BEADS(18PG121) +1608			
FB305,306	00D2350158901	CHIP BEADS(18PG121) +1608			
FB401	00D2350147909	E.FIL(BLM21PG221SN1)+2125			
FB402,403	00D2350158901	CHIP BEADS(18PG121) +1608			
FB501-504	00D2350158901	CHIP BEADS(18PG121) +1608			
JK401	00D2048416007	MINI JACK			
L401	00D2350183905	INDUCTOR 2.2UH(7E06N)			
W401,402	nsp	M3 SCREW TERMINAL			
X101	141810009501S	FCX-03(16.9344MHz)			
X102	00D3991127905	FCX-03(48MHz)			

EXPLODED VIEW



WARNING:
 Parts marked with this symbol  have critical characteristics.
 Use **ONLY** replacement parts recommended by the manufacturer.

PARTS LIST OF EXPLODED VIEW

* Parts for which "nsp" is indicated on this table cannot be supplied.

* P.W.B. ASS'Y for which "nsp" is indicated on this table cannot be supplied. When repairing the P.W.B. ASS'Y, check the board parts table and order replacement parts.

* The parts listed below are for maintenance only, might differ from the parts used in the unit in appearances or dimensions.

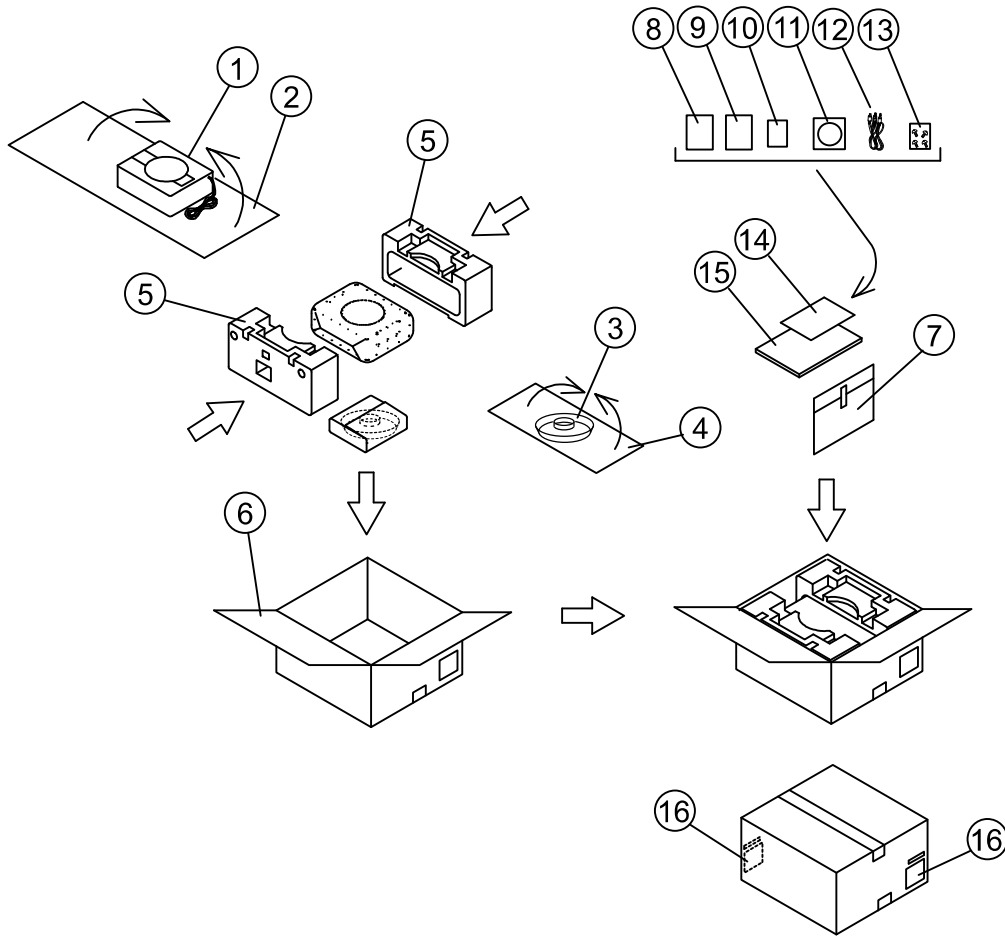
Note: The symbols in the column "Remarks" indicate the following destinations.
 E3: U.S.A. & Canada model E2: Europe model

Ref. No.	Part No.	Part Name	Remarks	Q'ty	New
A	nsp	POWER P.W.B. UNIT ASSY	E3	1	*
	nsp	POWER P.W.B. UNIT ASSY	E2	1	*
	A-1	-	POWER UNIT		
	A-2	-	AUDIO UNIT		
	A-3	-	AC INPUT UNIT		
A-4	-	MOTORDRIVE UNIT			
B	nsp	PANEL P.W.B. UNIT ASS'Y		1	*
	B-1	-	PANEL1 UNIT		
	B-2	-	PANEL2 UNIT		
B-3	-	PANEL3 UNIT			
	-	CD IN UNIT			
	-	SLIDE VR UNIT			
	-	FWD/BOTH UNIT			
	-	VFD UNIT			
C	8U-310011	MAIN P.W.B. UNIT ASSY		1	*
1	436010023005P	FOOT SHEET		4	*
2	407510003008P	FOOT		8	*
3	nsp	MAIN CHASSIS ASSY		1	*
	3-1	-	MAIN CHASSIS	1	*
	3-2	-	POST M3H574	1	*
	3-3	-	POST M3H57	4	*
3-4	-	POST M3H87	4	*	
3-5	-	POST M3H512		4	*
3-6	-	POST M3H874		2	*
4	nsp	INSULATION SHEET		1	*
5	nsp	BUFFER(3)		2	*
6	nsp	INSULATION SHEET(AC INPUT)		1	*
7	00D1462433007	P.SW KNOB GUIDE		1	
8	00D1131689001	P.SW KNOB		1	
9	nsp	CARD SPACER (L=4)		1	
10	nsp	BUFFER(2)		1	*
11	00D3370147001	CD MECHA. UNIT		1	
12	nsp	CD MECHA BRACKET L		1	*
13	nsp	CD MECHA BRACKET R		1	*
14	475010001000P	VB-1209-80BK		4	*
15	nsp	CHASSIS STAY		1	*
16	nsp	SHIELD PLATE		1	*
17	nsp	INSULATION SHEET(MAIN)		1	*
18	00D4450056008	CORD BUSH	E2	1	
18	00D4450084009	CORD BUSH	E3	1	
19	402510059006P	FRONT SUB PANEL		1	*
20	nsp	CD MASK		1	
21	nsp	BRACKET(CD MASK)		1	
22	403510023000P	TOP CASE ASSY		1	*
22-1	-	TOP CASE		1	*
22-2	-	GUIDE LENS		2	*
22-3	-	STROBE LENS		1	*

Ref. No.	Part No.	Part Name	Remarks	Q'ty	New
22-4	-	BUTTON LENS(CIRCLE)		5	*
23	409410003005P	FRONT SIDE COVER		2	*
25	409410004008P	REAR SIDE COVER		2	*
26	422510027003P	FADER PLATE		1	*
27	nsp	BUFFER		2	*
28	481510013003P	FRONT LENS		1	*
29	nsp	FRONT LENS STOPPER		1	*
31	411510066008P	M-BUTTON(3PS)		1	*
32	411510066015P	M-BUTTON(3PS)		1	*
33	411510066022P	M-BUTTON(3PS)		1	*
34	411510066039P	M-BUTTON(3PS)		1	*
35	481510016002P	BUTTON LENS(RECTANGLE)		3	*
36	411010083008P	RUBBER-BUTTON 123		1	*
37	411010043000P	RUBBER BUTTON (PP&T)		1	*
38	411010047002P	RUBBER BUTTON (SELECT)		1	*
39	481510008001P	CIRCLE LENS (L)		1	*
40	481510015009P	CIRCLE LENS (R)		1	*
41	411010067006P	M-BUTTON CIRCLE ASSY		5	*
41-1	-	M-BUTTON (CIRCLE)		5	*
41-2	-	M-BUTTON LENS(CIRCLE)		5	*
42	411510050003P	M-BUTTON(2P)		1	*
43	411510050010P	M-BUTTON(2P)		1	*
44	481510010004P	M-BUTTON(3PR)		1	*
45	00D1131950002	TOGGLE SW KNOB		1	*
46	nsp	DISPLAY BASE		1	*
47	nsp	INSULATION SHEET(PANEL)		1	*
48	nsp	TOP SHIELD		1	*
49	nsp	BRACKET		1	*
50	nsp	BUSH		5	*
51	nsp	MOTOR BASE		1	*
52	FG3700	DD MOTOR UNIT		1	*
53	412510044001P	SELECT KNOB ASSY		1	*
53-1	-	KNOB BUSH(SELECT)		1	*
53-2	-	KNOB (SELECT) CAP		1	*
54	412510042005P	KNOB		1	*
55	00D1131951014	FADER KNOB		1	*
56	416510012006P	WINDOW		1	*
57	nsp	TURN TABLE SUB ASSY		1	*
57-1	469410001001P	TURN TABLE		1	*
57-2	445010078009P	SLIP SHEET		1	*
58	8P3561000300P	ANALOG DISC SUB ASSY		1	*
58-1	-	ANALOG DISC		1	*
58-2	-	SLIP MAT		1	*
58-3	-	DISC CLAMPER		1	*
58-4	-	FIX PLATE		1	*
59	nsp	SPACER		1	*
60	nsp	CORD HOLDER (L50)		5	*
61	00D2062089106	AC CORD W/CON.E2	E2	1	*
61	00D2062155001	AC CORD W/CON.E3	E3	1	*
62	nsp	PUSH RIVETS		1	*
★ 65	nsp	WIRE CLAMPER		1	*
★ 66	nsp	R.SHEET E2 SUB ASSY	E2	1	*
★ 66	nsp	R.SHEET E3 SUB ASSY	E3	1	*
★ 67	nsp	RATING LABEL BASE		1	*
★ 68	nsp	CAUTION LABEL		1	*
69	445D10086000P	INSULATION SHEET		1	*

	Ref. No.	Part No.	Part Name	Remarks	Q'ty	New
	★ 70	nsp	INST LABEL	E2	1	
	★ 71	nsp	FCC/CLASS B CAUTION	E3	1	
	★ 72	nsp	C-UL LABEL(80X7)	E3	1	
	★ 73	nsp	LABEL CDRH	E3	1	
	★ 74	nsp	MANUFAC.DATE SUB ASS	E3	1	
WIRES						
	★ 81	606050058013P	15P FFC(1.0) L=280		1	
	★ 82	606050028012P	7P FFC(1.0) L=240		1	
	★ 83	606050028029P	11P FFC(1.0) L=110		1	
	★ 84	606050058006P	18P FFC(1.0) L=90		1	
	★ 85	606050059009P	22P FFC(1.0) L=270(AD)		1	
	★ 86	nsp	1P SRA-SRA L=60		1	
	★ 87	nsp	14P EH-EH L=170		1	
	★ 88	nsp	2P VA-VA CON.CORD		1	
SCREWS						
	100	503350001009S	4X14 CBS-B		4	
	101	0RD4737002034	3X6 CBTS (S)-B		12	
	102	0RD4713303016	3X6 CBS-Z		5	
	103	0RD4713303029	3X6 CBS-B		2	
	104	0RD4713303016	3X6 CBS-Z		3	
	105	0RD4737500044	3X8 CBTS (P)-B		2	
	106	0RD4713303016	3X6 CBS-Z		1	
	107	0RD4713202010	2.6X5 CBS		5	
	108	0RD4713303016	3X6 CBS-Z		4	
	109	0RD4770018001	WASHER (P-87)		4	
	110	0RD4737002034	3X6 CBTS (S)-B		2	
	111	00M51260306U0	SCREW		1	
	112	0RD4713303029	3X6 CBS-B		2	
	113	00M51971704U0	SCREW		2	
	114	0RD4737002034	3X6 CBTS (S)-B		2	
	115	0RD4737532009	2.6X6 CBTS(P)-W-Z		2	
	116	0RD4737002034	3X6 CBTS (S)-B		2	
	117	0RD4737506022	2X6 CBTS(P)-B		2	
	118	0RD4737519006	2.6X8CBTS(P)-B		4	
	119	0RD4737532009	2.6X6 CBTS(P)-W-Z		2	
	120	0RD4737519006	2.6X8CBTS(P)-B		2	
	121	0RD4737532009	2.6X6 CBTS(P)-W-Z		6	
	122	0RD4737519006	2.6X8CBTS(P)-B		43	
	123	0RD4737002034	3X6 CBTS (S)-B		7	
	124	0RD4713404025	4X8 CBS		4	
	125	0RD4737006027	3X10 CBTS (S)-B		10	
	126	0RD4737507021	2X4 CBTS-(P)-B		3	
	127	501350004002S	2X10 CPS-Ni		4	
	128	0RD4737519006	2.6X8CBTS(P)-B		4	
	129	00M51480306A9	SCREW		1	
	130	0RD4713303016	3X6 CBS-Z		4	
	131	00M51480306A9	SCREW		1	
	132	516350003001S	3X10 CFTS-(S)Ni		8	
	133	00M51260308U0	SCREW		1	

PACKING VIEW



PARTS LIST OF PACKING & ACCESSORIES

* Parts for which "nsp" is indicated on this table cannot be supplied.

* The parts listed below are for maintenance only, might differ from the parts used in the unit in appearances or dimensions.

Note: The symbols in the column "Remarks" indicate the following destinations.

E3 : U.S.A. & Canada model

E2 : Europe model

Ref. No.	Part No.	Part Name	Remarks	Q'ty	New
1	-	set			
2	nsp	CABINET COVER		1	*
3	nsp	TURN TABLE SUB ASSY		1	*
4	nsp	STYLEN PAPER		1	*
5	533610031109P	CUSHION		2	*
6	531210064008P	CARTON CASE		1	*
7	8P3561000300P	ANALOG DISC SUB ASSY		1	*
8	541110198008P	INST. MANUAL		1	*
9	nsp	S.S.LIST COM.(EX)		1	
10	nsp	WARRANTY(COM.1Y)	E3	1	
11	352010002001P	INST.MANUAL(CD-ROM)		1	*
12	00D2032442003	2P PIN CORD		1	
13	nsp	ENVELOPE SUB ASSY		1	*
14	nsp	VINYL BAG		1	
15	nsp	CARTON TRAY		1	*
16	nsp	SHIPPING SUB ASSY		2	*