

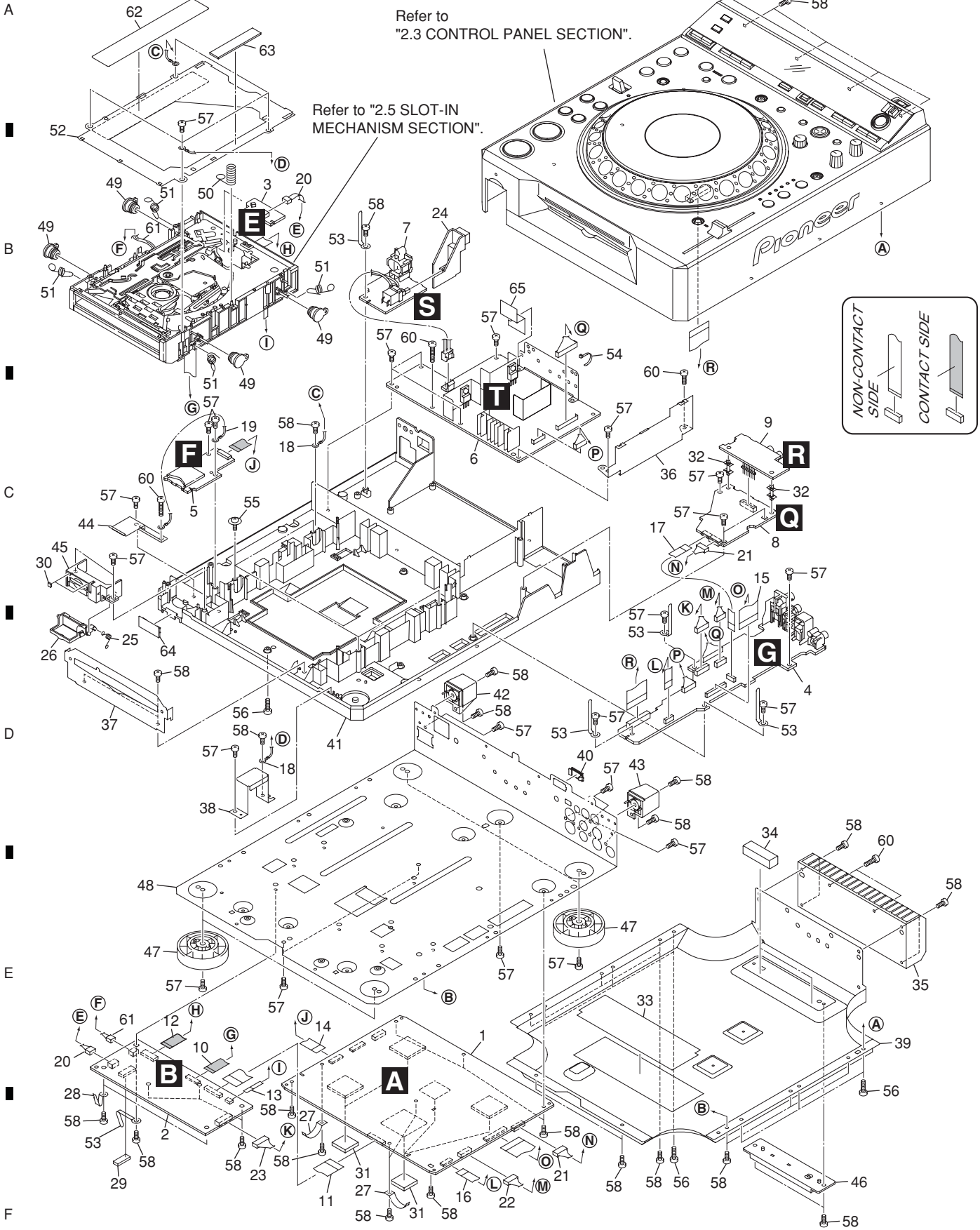
# 2.2 EXTERIOR SECTION

1

2

3

4



1

2

3

4

5 6 7 8

**EXTERIOR SECTION parts List**

Mark No.	Description	Part No.	Mark No.	Description	Part No.
1	MAIN Assy	DWG1630	35	Heat Sink	DNG1098
2	DVPL Assy	DWX2627	NSP 36	Shield Plate 2	DNH2723
3	SLMB Assy	DWS1395	NSP 37	Front Plate	DNH2724
4	MJCB Assy	DWG1633	NSP 38	Earth Plate	DNH2726
5	SDCB Assy	DWX2630	39	Heat Plate	See Contrast table(2)
⚠ 6	POWER SUPPLY Assy	DWR1436	40	Blind Cap	DNK4218
⚠ 7	PSWB Assy	See Contrast table(2)	NSP 41	Chassis	DNK4591
8	AUDB Assy	DWG1638	42	Rear Protector (R)	DNK4636
9	AJCB Assy	DWG1639	43	Rear Protector (L)	DNK4637
10	26P FFC/30V	DDD1337	44	Card Plate	DBK1296
11	FFC/30V (40p)	DDD1338	45	Door Holder	DNK4652
12	FFC/60V (13p)	DDD1339	46	Push Rod Holder	DNK4671
13	FFC/60V (4p)	DDD1340	47	Insulator Assembly	DXA1904
14	FFC/60V (13p)	DDD1341	48	Shield Plate 1 Assy	See Contrast table(2)
15	FFC/60V (27p)	DDD1342	49	Damper	CNV6011
16	FFC/60V (10p)	DDD1343	50	Earth Spring	DBH1398
17	FFC/60V (9p)	DDD1344	51	Float Spring G11	DBH1526
18	Earth Lead Unit	DDF1032	52	Mecha Plate	DNH2339
19	Earth Lead Unit	DDF1033	53	Cord Clamper (STEEL)	RNH-184
20	Connector Assy	PF03PP-B35	54	Binder	ZCA-SKB90BK
21	Connector Assy	DKP3778	55	DM Screw (FTC)	DBA1260
22	6P Connector Assy	PF06PP6D15	56	Screw	BPZ30P120FTB
23	8P Connector Assy	PF08PP-D25	57	Screw	BPZ30P080FTB
24	Power Knob	DNK4635	58	Screw	BBZ30P080FTC
25	Door Spring	DBH1565	59	Screw	BPZ30P080FZK
26	Card Door	DNK4651	60	Screw	BBZ30P140FTC
27	Earth Plate 1(CU)	DBK1300	61	2P Connector	PF02PY-B37
28	Earth Plate 2(CU)	DBK1301	62	Laser Caution (7L)	See Contrast table(2)
NSP 29	Silicon Rubber D5 L	DEB1456	63	Guard Cushion	DEC2984
30	Door Cushion	DEB1780	64	Door Plate	DNK4650
31	Insulation Sheet	DEC2694	65	Shield Sheet Assy	DXB1941
32	PC Support	DEC2736			
33	Shield Cushion	DEC2905			
34	Gasket L40	DEC2979			

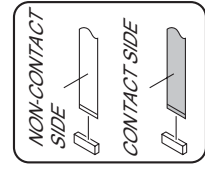
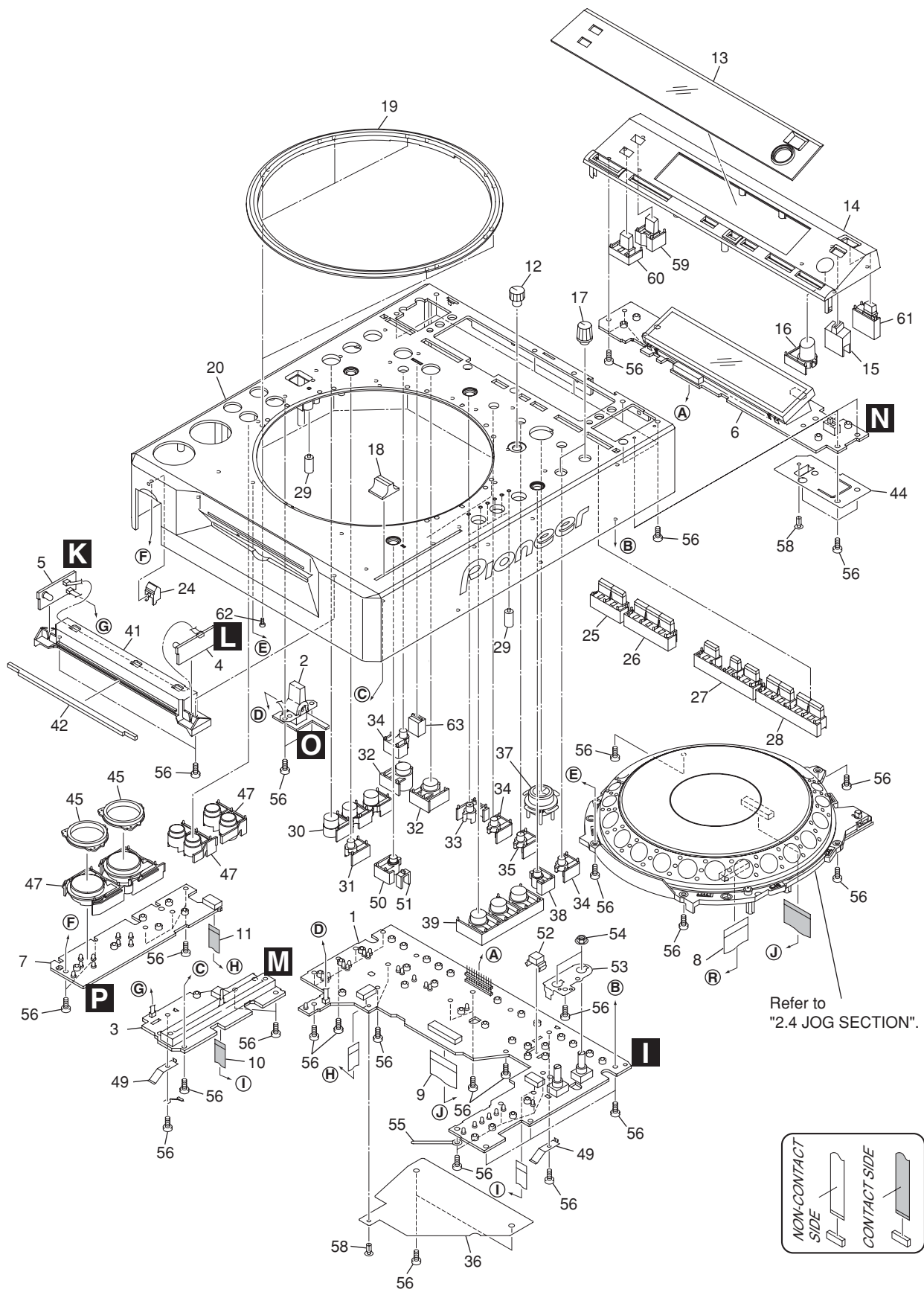
**(2) CONTRAST TABLE**

DVJ-1000/KUCXJ, /WYXJ5, /TLXJ/RD and TLFXJ types are constructed the same except for the following:

Mark	No.	Symbol and Description	DVJ-1000 /KUCXJ	DVJ-1000 /WYXJ5	DVJ-1000 /TLXJ/RD	DVJ-1000 /TLFXJ
⚠	7	PSWB ASSY	DWS1392	DWS1396	DWS1396	DWS1396
	39	Heat Plate	DNH2744	DNH2749	DNH2750	DNH2750
	48	Shield Plate 1 Assy	DXB1883	DXB1892	DXB1894	DXB1893
	62	Laser Caution	DRW2317	DRW2317	DRW2317	VRW2159

# 2.3 CONTROL PANEL SECTION

A  
B  
C  
D  
E  
F



**CONTROL PANEL SECTION parts List**

<u>Mark No.</u>	<u>Description</u>	<u>Part No.</u>	<u>Mark No.</u>	<u>Description</u>	<u>Part No.</u>
1	DIPB Assy	See Contrast table(2)	33	RELOOP Knob	DAC2325
2	RSWB Assy	DWS1391	34	ENTER Knob	DAC2326
3	SLDB Assy	DWS1393	35	CALL Knob	DAC2323
4	LED 1 Assy	DWG1634			
5	LED 2 Assy	DWG1635	36	Shield Sheet 1	DEC2899
			37	Cross Key	DAC2327
6	DFLB Assy	DWG1632	38	Change Knob	DAC2328
7	KSWB Assy	DWS1394	39	SET Knob (TEMPO)	DAC2329
8	22P FFC/60V	DDD1345	40	••••	
9	25P FFC/60V	DDD1346			
10	10P FFC/60V	DDD1347	41	Reflector	DNK4597
			42	Front Lens	DNK4595
11	9P FFC/60V	DDD1348	43	••••	
12	Adjust Knob	DAC2350	44	Shield Sheet 2	DEC2909
13	Display Panel(PMMA)	DNK4601	45	Ring Lens	DNK3880
14	Top Panel	DNK4599			
15	Slide SW Knob	DNK4592	46	••••	
			47	SET Knob (PLAY) Assy	DXB1912
16	Eject Knob	DAC2335	48	•••	
17	Rotary Knob	DAA1182	49	Earth Plate (CU)	DBK1224
18	Slide Knob	DAC2376	50	RESET Knob	DAC2330
19	Jog Ring	DNK4600			
20	Control Panel	DNK4598	51	TEMPO RESET Lens	DNK4708
			52	Cross Key Holder	DNK4798
21	•••••		53	VR Stay	DNF1663
22	•••••		54	Flange Nut M9	DBN1008
23	•••••		55	Cord Clamper (steel)	RNH-184
24	Card Lens	DNK4596			
25	SETKnob 1	DAC2331	56	Screw	BPZ30P080FTB
			57	••••	
26	SETKnob 2	DAC2332	58	Rivet (PLASTIC)	RBM-003
27	SETKnob 3	DAC2333	59	TIMX Knob	DAC2336
28	SETKnob 4	DAC2334	60	TEXT Knob	DAC2338
29	TEMPO Lens	DNK4593			
30	SET Knob (H. C.)	DAC2321	61	STOP Knob	DAC2354
			62	Screw	OBA8038
31	REC Knob	DAC2322	63	LOOP MODE Lens	DNK4594
32	SET Knob (LOOP)	DAC2324			

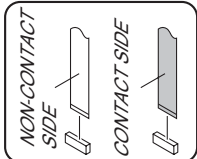
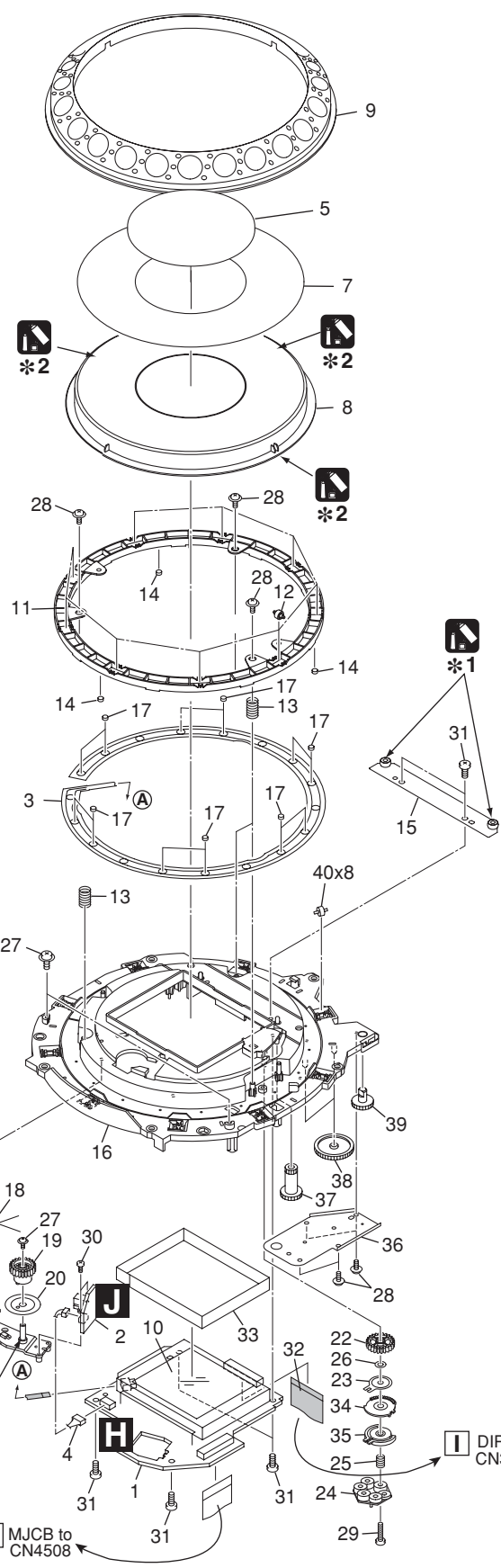
**(2) CONTRAST TABLE**

DVJ-1000/KUCXJ, /WYXJ5, /TLXJ/RD and TLFXJ types are constructed the same except for the following:

Mark	No.	Symbol and Description	DVJ-1000 /KUCXJ	DVJ-1000 /WYXJ5	DVJ-1000 /TLXJ/RD	DVJ-1000 /TLFXJ
	1	DIPB ASSY	DWG1631	DWG1640	DWG1642	DWG1641

# 2.4 JOG SECTION

A  
B  
C  
D  
E  
F



- \*1. Lubricating oil  
GYA1001 (ZLB-PN397B)
- \*2. Lubricants : (ZLB-HPD1600)

**G** MJCB to CN4508

**H**

**I** DIPB to CN3002

**J**

**JOG SECTION parts List**

<u>Mark No.</u>	<u>Description</u>	<u>Part No.</u>	
1	JFLB Assy	DWG1636	
2	JOGB Assy	DWG1637	A
3	Sheet SW	DSX1065	
4	Connector Assy	PF04PP-B07	
5	Jog Panel (PMMA)	DAH2182	
6	• • • •		
7	JOG Plate	DAH2438	
8	JOG A	DNK4586	
9	JOG B	DNK4557	
10	Protector Sheet	DEC2945	
11	SW Ring	DNK4070	B
12	Roller A Assy	DXB1825	
13	SW Spring 25	DBH1514	
14	Ring Cushion L24/2.0	DEC2958	
15	JOG Stay Assy	DXB1876	
16	JOG Holder 1000	DNK4558	
17	SW Cushion HH48/2	DEC2538	
18	Arm Spring	DBH1566	
19	Gear	DNK4560	
20	ENCORDER Plate	DEC2889	C
21	Gear Arm	DNK4559	
22	Load Gear A	DNK4562	
23	Smoother	DNK4561	
24	Adjust Plate	DNK4178	
25	Gear Spring 200	DBH1525	
26	Washer	WA52D120D025	
27	Screw	IPZ30P100FTC	
28	Screw (FE)	DBA1265	
29	Screw	BPZ20P100FTC	
30	Screw	BPZ20P060FTC	D
31	Screw	BPZ30P080FTB	
32	25P FFC / 60V	DDD1346	
33	FL Sheet	DEC2946	
34	CAM Plate	DNK4567	
35	PRESS Plate	DNK4566	
36	GEAR Plate	DNH2713	
37	Link Gear 3	DNK4565	
38	Link Gear 2	DNK4564	E
39	Link Gear 1	DNK4563	
40	Roller B Assy	DXB1877	