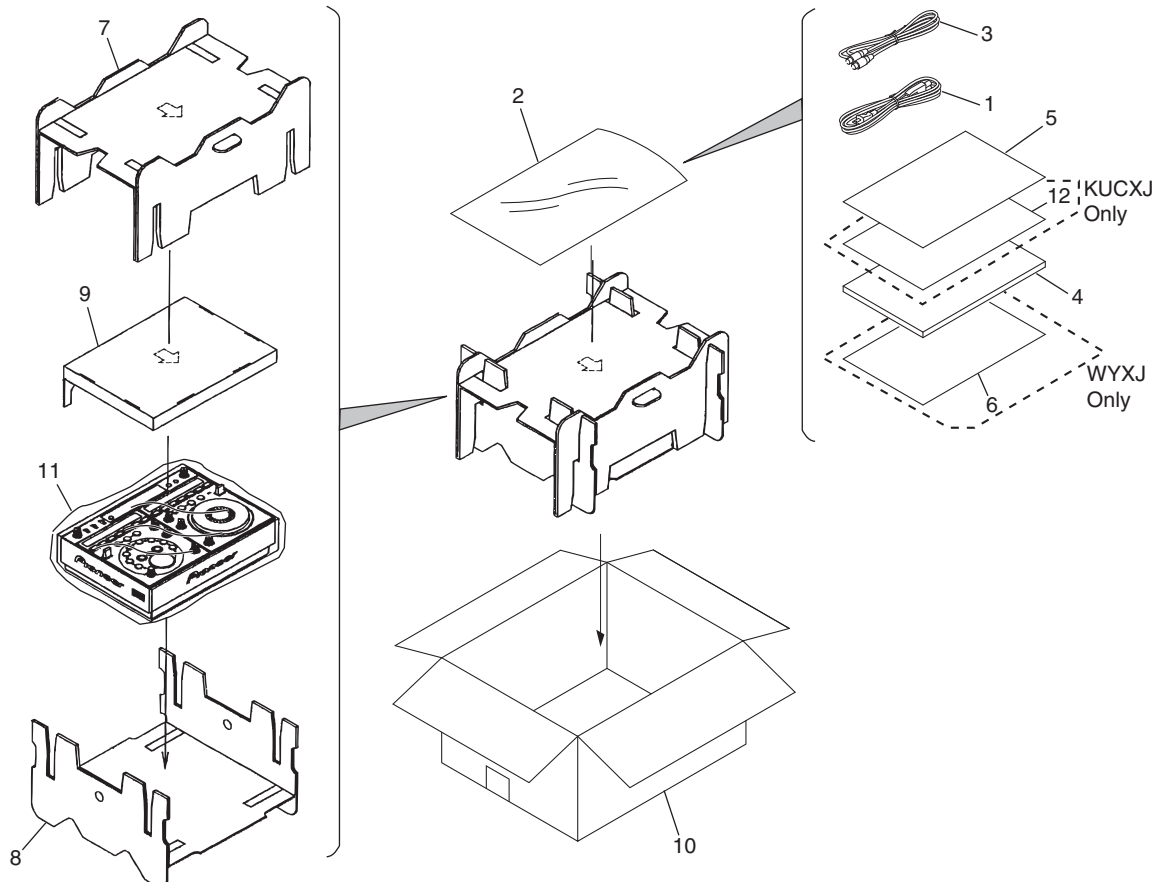


## 2. EXPLODED VIEWS AND PARTS LIST

- NOTES:
- Parts marked by "NSP" are generally unavailable because they are not in our Master Spare Parts List.
  - The  $\triangle$  mark found on some component parts indicates the importance of the safety factor of the part. Therefore, when replacing, be sure to use parts of identical designation.
  - Screws adjacent to  $\nabla$  mark on product are used for disassembly.
  - For the applying amount of lubricants or glue, follow the instructions in this manual. (In the case of no amount instructions, apply as you think it appropriate.)

### 2.1 PACKING SECTION



#### (1) PACKING SECTION PARTS LIST

Mark No.	Description	Part No.	Mark No.	Description	Part No.
$\triangle$ 1	Power Cord	See Contrast table (2)	6	WEE Caution Card	See Contrast table (2)
NSP 2	Polyethylene Bag	AHG7117	7	Pad (A)	DHA1645
3	Digital Link Cable(8P DIN Cable)DKP3724		8	Pad (B)	DHA1687
4	Operating Instructions	See Contrast table (2)	9	Pad (C)	DHA1647
NSP 5	User Registration SH	DRM1262	10	Packing Case	See Contrast table (2)
			11	Sheet	RHX1006
			NSP 12	Limited Warranty	See Contrast table (2)

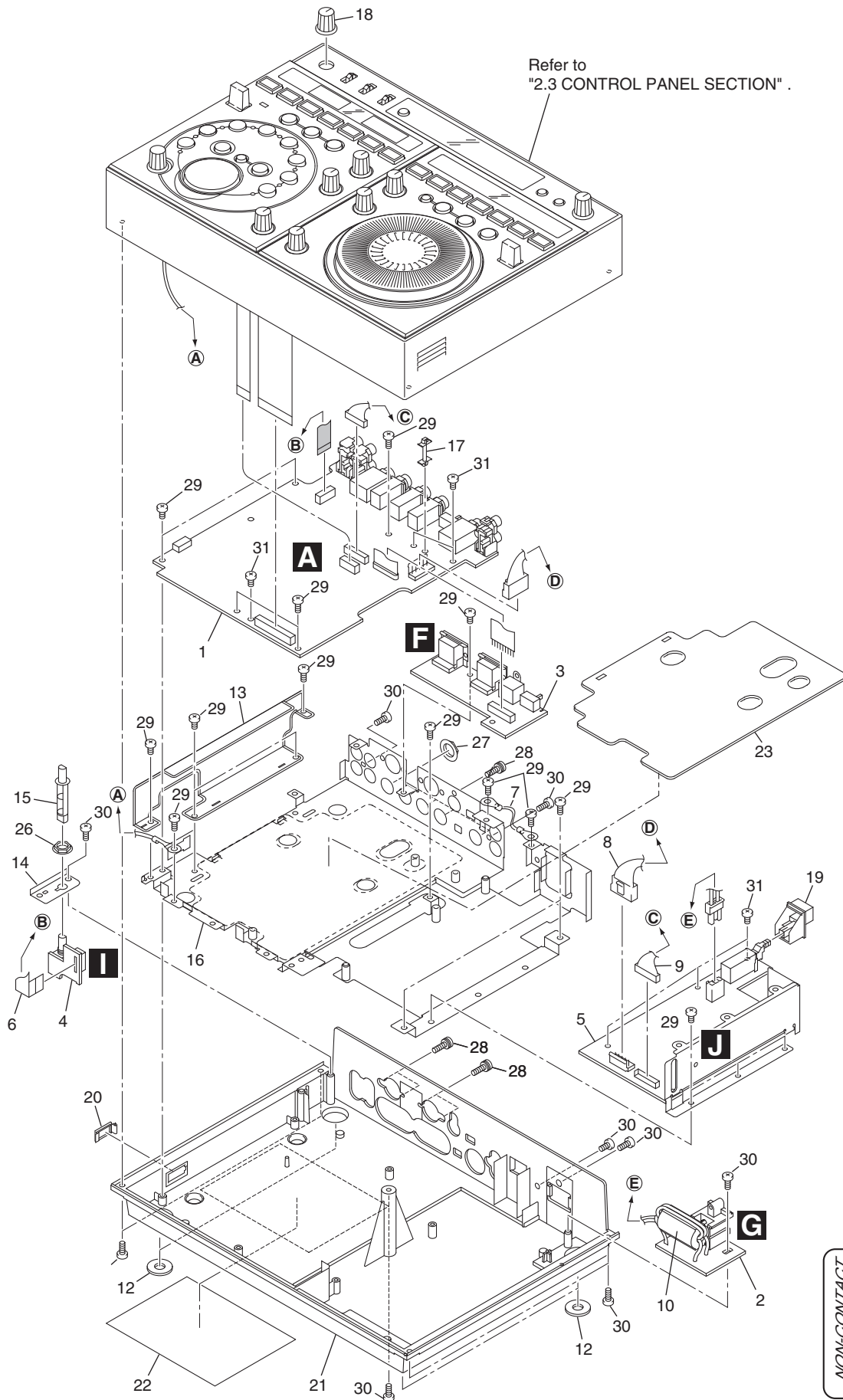
#### (2) CONTRAST TABLE

EFX-1000/KUCXJ, TLTXJ, WYXJ and WAXJ are constructed the same except for the following:

Mark	No.	Symbol and Description	EFX-1000/ KUCXJ	EFX-1000/ TLTXJ	EFX-1000/ WYXJ	EFX-1000/ WAXJ
$\triangle$	1	Power Cord	ADG7021	ADG1127	ADG1127	ADG7079
	4	Operating Instructions (Chinese/English)	DRB1367	Not used	Not used	Not used
	4	Operating Instructions (English/Spanish/ Chinese)	Not used	DRB1369	Not used	Not used
	4	Operating Instructions (English/French/Duch/German/Italian/Spanish)	Not used	Not used	DRB1368	Not used
	4	Operating Instructions (English)	Not used	Not used	Not used	DRB1370
	6	WEE Caution Card	Not used	Not used	ARM7099	Not used
	10	Packing Case	DHG2476	DHG2477	DHG2475	DHG2479
NSP	12	Limited Warranty	ARY7043	Not used	Not used	Not used

# 2.2 EXTERIOR SECTION

A  
B  
C  
D  
E  
F



**(1) EXTERIOR SECTION PARTS LIST**

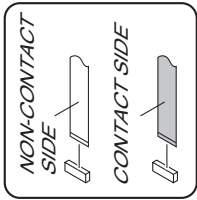
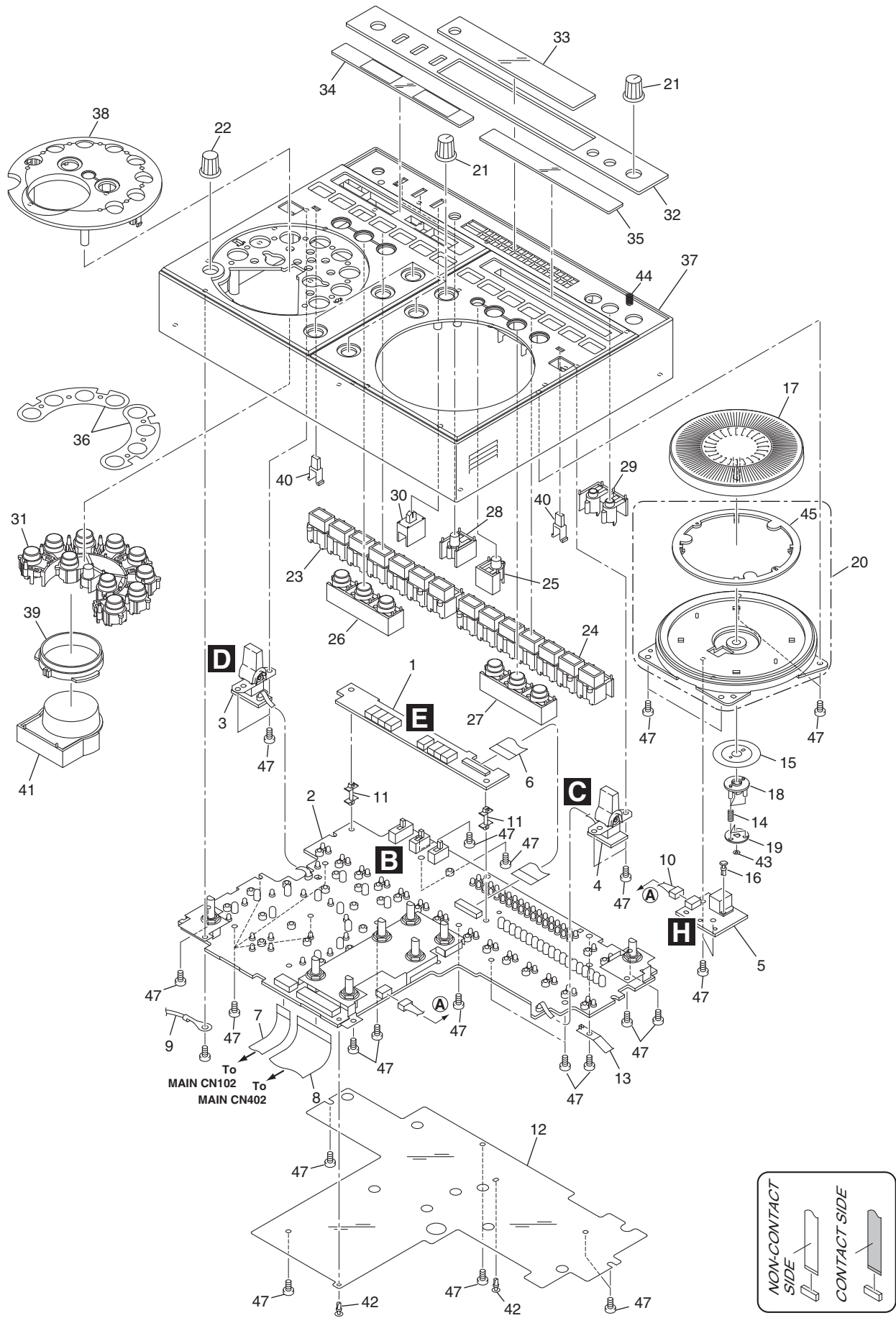
<u>Mark No.</u>	<u>Description</u>	<u>Part No.</u>	<u>Mark No.</u>	<u>Description</u>	<u>Part No.</u>
1	MAIN BOARD Assy	DWX2401	16	Main Shield Assy	DXB1851
2	ACIN Assy	See Contrast table (2)	NSP 17	PCB Holder	REC1220
3	MIDI Assy	DWX2402	18	Knob VOL	DAA1168
4	MVR Assy	DWX2444	19	Power Knob	DAC1895
△ 5	POWER SUPPLY Unit	DWR1377	20	Blind Cap	DNK4218
6	10P Flexible Cable	DDD1293	NSP 21	Chassis	See Contrast table (2)
NSP 7	Earth Lead Wire	DE005VF0	22	Block Label	DRW2271
8	Connector Assy	DKP3725	23	E Wave Sheet	DEC2881
9	Connector Assy	DKP3741	24	•••••	
△ 10	Ferrite Core	DTH1196	25	•••••	
11	•••••		26	Nut M7	DBN1011
12	Insulator MO	DEC2250	27	Nut M12	DBN1012
13	Insulation Sheet B	DEC2823	28	Screw	PMH30P100FTB
14	VOL Support Plate MASTER	DNF1719	29	Screw	BBZ30P060FTB
15	Extension Shaft	DNK4348	30	Screw	BPZ30P080FTB
			31	Screw	BBZ30P080FTC

**(2) CONTRAST TABLE**

EFX-1000/KUCXJ, TLTXJ, WYXJ and WAXJ are constructed the same except for the following:

<u>Mark</u>	<u>No.</u>	<u>Symbol and Description</u>	<u>EFX-1000/ KUCXJ</u>	<u>EFX-1000/ TLTXJ</u>	<u>EFX-1000/ WYXJ</u>	<u>EFX-1000/ WAXJ</u>
NSP	2	ACIN Assy	DWR1382	DWR1381	DWR1381	DWR1381
	21	Chassis	DNK4618	DNK4621	DNK4617	DNK4620

# 2.3 CONTROL PANEL SECTION



## CONTROL PANEL SECTION PARTS LIST

<u>Mark No.</u>	<u>Description</u>	<u>Part No.</u>	
1	7SEG Assy	DWG1584	
2	CTRL Assy	DWG1585	A
3	SW1 Assy	DWS1353	
4	SW2 Assy	DWS1354	
5	ENCB Assy	DWX2403	
6	20P Flexible Cable	DDD1274	
7	10P Flexible Cable	DDD1290	
8	28P Flexible Cable	DDD1292	
NSP 9	Earth Lead Wire	DE015VF0	
10	Small Connector	PF04PP-C05	
11	PC Support	DEC2736	B
12	Insulation Sheet A	DEC2807	
13	Earth Plate (CU)	VBK1070	
14	JOG Spring	DBH1540	
15	Encoder Plate	DEC2498	
16	Nyron Rivet	DEC2735	
17	JOG Dial	DNK4337	
18	Encoder Holder	DNK4339	
19	Smoother	DNK4346	
20	JOG Holder Assy	DXA1992	C
21	Knob VOL	DAA1168	
22	Knob TIME	DAA1169	
23	Button Effect DELAY	DAC2223	
24	Button Effect JET	DAC2224	
25	Button MEMORY	DAC2225	
26	Button HOLD	DAC2226	
27	Button LOW	DAC2227	
28	Button METER	DAC2228	
29	Button LB	DAC2229	
30	Slide Knob	DAC2230	D
31	Button BEAT	DAC2231	
32	aluminum Panel	DAH2330	
33	Window LEVEL	DAH2331	
34	Window TIME	DAH2332	
35	Window JOG	DAH2333	
36	Sheet	DED1175	
37	Control Panel	DNK4340	
38	Escutcheon	DNK4342	E
39	TAP Display Ring	DNK4343	
40	Indicator	DNK4344	
41	Button TAP Assy	DXA1993	
42	Nyron Rivet 3x4.5	RBM-003	
43	Washer	WT26D060D050	
44	Earth Spring	DBH1539	
45	Pom Ring	DNK4345	
46	Screw	BBZ30P060FTB	
47	Screw	BPZ30P080FTB	F





**Mark No. Description****Part No.****Mark No. Description****Part No.**

L 402 (A,109,55) CHIP BEADS VTL1105  
L 403 (A,156,70) CHIP BEADS VTL1099

X 400 (A,128,110) 24 MHz ASS7025  
X 401 (A,166,114) 22.5792 MHz DSS1154

A L 404 (A,120,68) CHIP BEADS VTL1099  
L 406 (A,156,117) CHIP BEADS VTL1105  
L 407 (A,138,101) CHIP BEADS VTL1099  
L 408 (A,148,116) CHIP BEADS VTL1105  
L 413 (A,174,84) CHIP BEADS VTL1108

0 PCB BINDER VEF1040  
0 12P CABLE HOLDER 51048-1200  
CN100 (A,172,162) CONNECTOR B5P-VH  
CN101 (A,113,150) 8P TOP POST B8B-EH  
CN102 (A,123,135) CONNECTOR 52045-1045

L 415 (B,67,68) CHIP BEADS VTL1108  
L 416 (A,175,211) CHIP BEADS VTL1099  
L 417 (A,186,214) CHIP BEADS VTL1105  
L 419 (A,150,49) CHIP BEADS VTL1108  
L 421 (A,152,49) CHIP BEADS VTL1108

CN200 (A,48,194) CONNECTOR 52045-1045  
CN400 (A,20,71) CONNECTOR S6B-PH  
CN402 (A,132,34) 28P CONNECTOR 52045-2845

**RESISTORS**

B L 422 (A,153,49) CHIP BEADS VTL1108  
L 423 (A,155,49) CHIP BEADS VTL1108  
L 424 (A,156,49) CHIP BEADS VTL1108  
L 425 (A,157,49) CHIP BEADS VTL1108  
L 426 (A,159,49) CHIP BEADS VTL1108

R 100 (A,145,161) RAB4C0R0J  
R 101 (A,164,157) RAB4C0R0J  
R 102 (A,143,203) RAB4C0R0J  
R 103 (A,132,155) RS1/16S0R0J  
R 104 (A,131,153) RS1/16S0R0J

L 427 (A,135,50) CHIP BEADS VTL1108  
L 428 (A,137,50) CHIP BEADS VTL1108  
L 429 (A,138,49) CHIP BEADS VTL1108  
L 430 (A,140,49) CHIP BEADS VTL1108  
L 431 (A,141,49) CHIP BEADS VTL1108

R 200 (A,32,149) RS1/16S331J  
R 201 (B,54,207) RS1/16S470J  
R 202 (B,89,203) RS1/16S470J  
R 203 (A,34,214) RS1/16S470J  
R 204 (A,44,215) RS1/16S470J

C L 432 (A,143,49) CHIP BEADS VTL1108  
L 433 (A,144,49) CHIP BEADS VTL1108  
L 434 (A,146,49) CHIP BEADS VTL1108  
L 441 (A,147,144) CHIP BEADS VTL1108  
L 442 (A,148,146) CHIP BEADS VTL1108

R 205 (B,64,188) RS1/16S104J  
R 206 (B,62,197) RS1/16S104J  
R 207 (A,44,173) RS1/16S472J  
R 208 (A,26,181) RS1/16S472J  
R 209 (A,20,174) RAB4C0R0J

L 444 (A,153,143) CHIP BEADS VTL1105  
L 445 (A,156,145) CHIP BEADS VTL1108  
L 446 (A,157,148) CHIP BEADS VTL1108  
L 447 (A,160,147) CHIP BEADS VTL1108  
L 448 (A,158,144) CHIP BEADS VTL1108

R 213 (B,42,176) RS1/16S0R0J  
R 214 (B,30,180) RS1/16S0R0J  
R 215 (B,45,180) RS1/16S222J  
R 216 (B,37,181) RS1/16S222J  
R 218 (A,29,159) RS1/16S0R0J

D L 449 (A,161,146) CHIP BEADS VTL1108  
L 452 (A,64,58) CHIP BEADS VTL1108  
L 500 (A,96,128) COIL RTF1189  
L 501 (A,101,125) CHIP BEADS VTL1105  
L 502 (A,39,99) CHIP BEADS VTL1099

R 219 (A,19,146) RAB4C0R0J  
R 220 (A,21,55) RAB4C0R0J  
R 221 (B,43,171) RS1/16S102J  
R 222 (B,35,174) RS1/16S102J  
R 223 (A,110,159) RS1/16S103J

L 516 (A,104,136) CHIP BEADS VTL1105  
L 1202(B,43,189) CHIP BEADS VTL1108  
L 1412(A,135,149) CHIP BEADS VTL1105  
L 1413(A,134,122) CHIP COIL LCYAR33J2520  
L 1426(A,121,144) CHIP BEADS VTL1105

R 224 (A,114,159) RS1/16S103J  
R 225 (B,41,153) RS1/16S0R0J  
R 226 (A,38,148) RS1/16S0R0J  
R 227 (B,41,195) RS1/16S102J  
R 228 (B,34,197) RS1/16S102J

L 1428(A,123,144) CHIP BEADS VTL1105  
L 1442(A,123,130) CHIP BEADS VTL1105  
L 1443(A,125,130) CHIP BEADS VTL1105  
L 1450(A,127,143) CHIP BEADS VTL1105  
J 403 (A,141,151) JUMPER WIRE D20PYY1210E

R 229 (B,71,189) RS1/16S102J  
R 230 (A,59,201) RS1/16S102J  
R 231 (B,76,191) RS1/16S104J  
R 232 (A,70,199) RS1/16S104J  
R 233 (A,112,159) RS1/16S103J

JA201 (A,70,232) MJACK DKN1250  
JA202 (A,89,232) MJACK DKN1248  
JA301 (A,45,232) JACK VKB1133  
JA302 (A,108,232) MJACK DKN1248  
JA303 (A,127,232) MJACK DKN1248

R 234 (A,110,156) RS1/16S0R0J  
R 235 (A,96,155) RS1/16S104J  
R 236 (B,26,153) RS1/16S0R0J  
R 237 (B,25,140) RS1/16S0R0J  
R 238 (B,39,170) RS1/16S470J

JA400 (A,186,232) JACK DKB1069  
JA401 (A,164,232) HEADPHONE JACK DKB1065  
KN400 (A,178,41) WRAPPING TERMINAL VNF1084  
KN401 (A,176,190) WRAPPING TERMINAL VNF1084  
KN402 (A,22,51) WRAPPING TERMINAL VNF1084

R 239 (B,25,168) RS1/16S470J  
R 240 (A,106,163) RS1/16S473J  
R 241 (A,98,36) RAB4C0R0J  
R 242 (A,99,224) RAB4C0R0J  
R 243 (A,176,182) RAB4C0R0J

F RY1 RELAY VSR1008  
RY301 (A,106,203) RELAY VSR1008  
S 201 (A,147,228) SLIDE SWITCH DSH1025

R 244 (A,152,161) RAB4C0R0J  
R 245 (A,107,163) RS1/16S473J

5		6		7		8	
Mark No.	Description	Part No.	Mark No.	Description	Part No.		
R 246	(B,77,207)	RS1/16S0R0J	R 398	(B,151,207)	RS1/16S472J		
R 247	(B,58,206)	RS1/16S0R0J	R 399	(A,64,159)	RS1/16S0R0J		
R 249	(A,43,173)	RS1/16S333J	R 400	(A,151,128)	RS1/16S101J		
R 250	(A,28,180)	RS1/16S333J	R 401	(B,164,134)	RS1/16S104J		A
R 253	(B,42,175)	RS1/16S222J	R 402	(A,143,89)	RS1/16S101J		
R 254	(B,28,180)	RS1/16S222J	R 403	(A,159,129)	RS1/16S104J		
R 293	(A,27,145)	RS1/16S0R0J	R 404	(A,172,88)	RS1/16S101J		
R 294	(B,38,155)	RS1/16S0R0J	R 405	(A,158,137)	RS1/16S680J		
R 296	(A,101,81)	RS1/16S822J	R 406	(A,156,137)	RS1/16S221J		
R 300	(A,73,141)	RS1/16S105J	R 407	(B,155,134)	RS1/16S152J		
R 301	(A,74,150)	RS1/16S0R0J	R 408	(A,152,134)	RS1/16S222J		
R 302	(A,63,149)	RS1/16S0R0J	R 409	(A,156,140)	RS1/16S122J		
R 303	(B,133,187)	RS1/16S222J	R 410	(A,144,139)	RS1/16S0R0J		
R 304	(A,128,194)	RS1/16S222J	R 412	(A,46,65)	RS1/16S223J		B
R 305	(B,132,187)	RS1/16S222J	R 413	(B,157,139)	RS1/16S104J		
R 306	(A,126,197)	RS1/16S222J	R 414	(B,162,139)	RS1/16S104J		
R 307	(B,106,189)	RS1/16S101J	R 415	(A,145,89)	RS1/16S101J		
R 308	(B,113,203)	RS1/16S101J	R 416	(A,151,89)	RS1/16S560J		
R 309	(B,101,186)	RS1/16S221J	R 417	(B,186,212)	RS1/16S820J		
R 310	(A,111,198)	RS1/16S221J	R 418	(A,173,88)	RS1/16S101J		
R 311	(B,103,186)	RS1/16S471J	R 419	(B,166,76)	RS1/16S621J		
R 312	(A,111,196)	RS1/16S471J	R 420	(A,156,88)	RS1/16S101J		
R 313	(B,108,180)	RS1/16S104J	R 421	(A,127,92)	RS1/16S102J		
R 314	(B,117,202)	RS1/16S104J	R 422	(A,167,92)	RS1/16S220J		
R 315	(B,97,175)	RS1/16S103J	R 423	(A,126,87)	RS1/16S104J		C
R 316	(B,98,189)	RS1/16S103J	R 424	(A,125,92)	RS1/16S102J		
R 317	(A,89,184)	RS1/16S104J	R 425	(B,126,89)	RS1/16S101J		
R 318	(A,89,187)	RS1/16S104J	R 426	(A,161,63)	RS1/16S104J		
R 319	(A,138,218)	RAB4C0R0J	R 427	(B,130,108)	RS1/16S105J		
R 320	(A,160,187)	RS1/16S0R0J	R 428	(A,126,89)	RS1/16S103J		
R 321	(A,93,163)	RS1/16S562J	R 429	(A,58,68)	RS1/16S220J		
R 322	(A,101,162)	RS1/16S562J	R 430	(A,100,67)	RS1/16S101J		
R 323	(A,93,161)	RS1/16S104J	R 431	(A,138,90)	RS1/16S101J		
R 324	(B,103,167)	RS1/16S104J	R 432	(B,131,76)	RS1/16S162J		
R 325	(A,90,159)	RS1/16S222J	R 433	(B,165,116)	RS1/16S105J		
R 326	(A,93,160)	RS1/16S222J	R 434	(A,38,111)	RS1/16S0R0J		D
R 327	(A,73,184)	RS1/16S472J	R 435	(A,64,137)	RS1/16S471J		
R 328	(A,78,189)	RS1/16S472J	R 436	(B,140,108)	RS1/16S101J		
R 329	(A,76,169)	RS1/16S222J	R 437	(B,134,110)	RS1/16S331J		
R 330	(A,58,173)	RS1/16S222J	R 438	(A,51,143)	RS1/16S101J		
R 331	(A,77,171)	RS1/16S102J	R 439	(A,151,95)	RS1/16S560J		
R 332	(A,58,170)	RS1/16S102J	R 440	(A,156,96)	RS1/16S102J		
R 333	(A,73,181)	RS1/16S222J	R 441	(B,159,85)	RS1/16S103J		
R 334	(A,62,182)	RS1/16S222J	R 442	(A,158,85)	RS1/16S104J		
R 335	(B,84,169)	RS1/16S223J	R 443	(A,64,139)	RS1/16S101J		
R 336	(B,58,165)	RS1/16S223J	R 444	(A,59,74)	RS1/16S220J		
R 337	(A,76,181)	RS1/16S102J	R 445	(A,45,68)	RS1/16S101J		E
R 338	(A,58,177)	RS1/16S102J	R 446	(A,173,48)	RS1/16S223J		
R 340	(A,61,148)	RS1/16S0R0J	R 447	(A,175,48)	RS1/16S223J		
R 341	(B,81,155)	RS1/16S0R0J	R 449	(A,98,93)	RS1/16S220J		
R 342	(A,68,143)	RS1/16S101J	R 450	(A,104,70)	RS1/16S103J		
R 343	(A,76,184)	RS1/16S104J	R 451	(B,153,207)	RS1/16S103J		
R 344	(A,79,189)	RS1/16S104J	R 452	(B,164,201)	RS1/16S103J		
R 346	(B,114,181)	RS1/16S102J	R 453	(A,36,54)	RS1/16S103J		
R 391	(B,78,112)	RS1/16S0R0J	R 455	(A,41,52)	RS1/16S103J		
R 392	(A,85,114)	RS1/16S0R0J	R 456	(A,134,120)	RS1/16S221J		
R 393	(A,85,112)	RS1/16S103J	R 459	(B,33,52)	RS1/16S103J		
R 394	(A,52,138)	RS1/16S103J	R 461	(B,33,62)	RS1/16S0R0J		F
R 396	(B,149,207)	RS1/16S104J	R 462	(A,47,40)	RS1/16S0R0J		
R 397	(B,146,207)	RS1/16S472J	R 463	(A,53,51)	RS1/16S103J		



	<u>Mark No.</u>	<u>Description</u>	<u>Part No.</u>	<u>Mark No.</u>	<u>Description</u>	<u>Part No.</u>
	R 464	(A,56,55)	RS1/16S104J	R 548	(A,70,134)	RS1/16S220J
	R 465	(A,54,139)	RS1/16S471J	R 549	(A,70,136)	RS1/16S220J
	R 468	(A,93,103)	RS1/16S102J	R 550	(A,67,138)	RAB4C220J
A	R 469	(B,65,50)	RS1/16S101J	R 551	(A,57,137)	RAB4C101J
	R 470	(A,100,106)	RS1/16S220J	R 552	(A,48,138)	RS1/16S0R0J
	R 471	(A,92,101)	RS1/16S220J	R 556	(A,80,105)	RAB4C220J
	R 473	(A,98,106)	RS1/16S104J	R 557	(A,80,110)	RAB4C220J
	R 474	(A,79,85)	RS1/16S101J	R 558	(A,82,117)	RAB4C220J
	R 475	(A,94,93)	RS1/16S220J	R 559	(A,87,102)	RS1/16S103J
	R 477	(A,63,43)	RS1/16S220J	R 560	(A,87,101)	RS1/16S103J
	R 478	(A,56,53)	RS1/16S220J	R 561	(A,87,97)	RS1/16S103J
	R 480	(B,140,112)	RS1/16S221J	R 562	(A,85,97)	RS1/16S103J
	R 481	(A,126,57)	RS1/16S103J	R 563	(A,85,93)	RS1/16S103J
B	R 482	(A,85,78)	RS1/16S0R0J	R 564	(B,87,99)	RS1/16S103J
	R 484	(B,173,58)	RS1/16S333J	R 565	(A,81,123)	RAB4C220J
	R 485	(B,68,65)	RS1/16S221J	R 577	(A,77,89)	RS1/16S103J
	R 486	(A,94,84)	RS1/16S0R0J	R 579	(A,75,89)	RS1/16S332J
	R 487	(A,58,55)	RS1/16S0R0J	R 587	(B,81,121)	RS1/16S101J
	R 488	(A,61,62)	RS1/16S104J	R 591	(A,51,37)	RS1/16S103J
	R 489	(A,76,79)	RS1/16S102J	R 594	(A,149,65)	RS1/16S220J
	R 490	(A,55,66)	RS1/16S220J	R 599	(A,50,138)	RS1/16S103J
	R 491	(A,63,62)	RS1/16S0R0J	R 1055(A,146,128)		RS1/16S223J
	R 492	(B,58,73)	RS1/16S220J	R 1056(B,152,127)		RS1/16S102J
C	R 493	(A,167,138)	RS1/16S104J	R 1101(A,183,210)		RS1/16S0R0J
	R 494	(A,162,138)	RS1/16S103J	R 1102(A,183,209)		RS1/16S0R0J
	R 495	(A,138,119)	RS1/16S221J	R 1201(B,51,180)		RS1/16S0R0J
	R 496	(B,159,130)	RS1/16S104J	R 1202(A,23,147)		RS1/16S0R0J
	R 497	(A,60,43)	RS1/16S104J	R 1203(A,23,146)		RS1/16S0R0J
	R 498	(A,64,55)	RS1/16S101J	R 1401(A,59,55)		RS1/16S105J
	R 499	(B,154,127)	RS1/16S473J	R 1402(B,67,60)		RS1/16S0R0J
	R 500	(A,101,118)	RS1/16S105J	R 1404(A,53,53)		RS1/16S472J
	R 501	(A,92,136)	RS1/16S101J	R 1405(B,117,79)		RS1/16S101J
	R 502	(A,92,132)	RS1/16S101J	R 1406(A,92,79)		RS1/16S101J
	R 503	(A,76,127)	RS1/16S103J	R 1407(A,87,78)		RS1/16S103J
	R 505	(A,39,124)	RAB4C101J	R 1408(B,112,62)		RS1/16S101J
D	R 506	(A,39,119)	RAB4C101J	R 1409(B,113,58)		RS1/16S101J
	R 507	(A,39,116) RESISTOR ARRAY	RAB4CQ101J	R 1410(A,97,74)		RS1/16S101J
	R 508	(A,38,109) RESISTOR ARRAY	RAB4CQ101J	R 1411(A,99,83)		RS1/16S101J
	R 509	(A,39,105)	RAB4C101J	R 1412(A,104,77)		RS1/16S101J
	R 510	(A,47,92)	RAB4C470J	R 1413(A,81,77)		RS1/16S101J
	R 511	(A,51,95)	RAB4C470J	R 1414(A,70,76)		RAB4C220J
	R 512	(A,55,95)	RAB4C470J	R 1415(A,74,75)		RAB4C220J
	R 513	(A,59,95)	RAB4C470J	R 1416(A,97,71)		RS1/16S101J
	R 514	(A,178,54)	RAB4C0R0J	R 1417(A,97,65)		RS1/16S101J
	R 523	(A,39,102)	RS1/16S101J	R 1418(A,173,62)		RS1/16S101J
E	R 524	(B,31,71)	RS1/16S103J	R 1419(A,98,54)		RAB4C220J
	R 525	(A,44,94)	RS1/16S101J	R 1420(B,175,54)		RS1/16S333J
	R 526	(A,40,95)	RS1/16S101J	R 1421(A,76,39)		RS1/16S101J
	R 529	(A,63,143)	RS1/16S471J	R 1422(A,159,63)		RS1/16S220J
	R 532	(A,96,122)	RS1/16S472J	R 1423(A,131,57)		RS1/16S220J
	R 533	(A,94,122)	RS1/16S472J	R 1424(B,74,45)		RS1/16S101J
	R 538	(B,130,112)	RS1/16S101J	R 1425(A,145,55)		RAB4C103J
	R 539	(A,67,95)	RAB4C220J	R 1426(A,60,58)		RS1/16S0R0J
	R 540	(A,71,95)	RAB4C220J	R 1427(A,139,55)		RAB4C103J
	R 541	(A,76,93)	RAB4C220J	R 1428(A,139,144)		RS1/16S0R0J
	R 542	(A,80,101)	RAB4C220J	R 1429(A,129,65)		RS1/16S102J
F	R 543	(A,62,95)	RS1/16S220J	R 1430(A,132,65)		RS1/16S105J
	R 544	(A,64,95)	RS1/16S220J	R 1431(B,108,60)		RS1/16S101J
	R 545	(B,77,102)	RS1/16S103J	R 1432(A,163,66)		RS1/16S102J
	R 547	(A,85,109)	RS1/16S0R0J	R 1433(A,158,88)		RS1/16S220J



	<b>Mark No.</b>	<b>Description</b>	<b>Part No.</b>	<b>Mark No.</b>	<b>Description</b>	<b>Part No.</b>
A	C 110	(B,144,175)	CKSRYB103K50	C 326	(A,61,171)	CQMA392J50
	C 111	(B,128,176)	CKSRYB103K50	C 327	(A,67,176)	CQMA272J50
	C 201	(A,57,210)	CQMA152J50	C 328	(A,55,177)	CQMA272J50
	C 202	(A,99,210)	CQMA152J50	C 329	(A,77,143)	CKSRYB102K50
	C 203	(A,32,206)	CQMA152J50	C 331	(A,80,169)	CEANP100M25
	C 204	(A,38,201)	CQMA152J50	C 332	(A,54,167)	CEANP100M25
	C 205	(A,74,188)	CEANP100M25	C 333	(B,93,183)	CKSRYB103K50
	C 206	(A,67,202)	CEANP100M25	C 334	(B,89,183)	CKSRYB103K50
	C 207	(A,119,176)	CEAT101M25	C 338	(B,94,219)	CKSRYB102K50
	C 208	(A,22,167)	CEAT101M25	C 339	(B,112,215)	CKSRYB102K50
B	C 209	(B,63,192)	CKSRYB103K50	C 341	(B,100,212)	CKSRYB102K50
	C 210	(B,65,196)	CKSRYB103K50	C 342	(B,36,216)	CKSRYB102K50
	C 211	(A,59,192)	CEANP100M25	C 343	(B,39,215)	CKSRYB102K50
	C 212	(A,57,204)	CEANP100M25	C 344	(B,74,216)	CKSRYB102K50
	C 213	(B,39,189)	CKSRYB103K50	C 392	(A,74,141)	CKSRYB103K50
	C 214	(B,32,189)	CKSRYB103K50	C 393	(A,77,157)	CEAT470M10
	C 215	(A,39,191)	CEAT101M25	C 394	(B,64,167)	CKSRYB103K50
	C 216	(A,32,191)	CEAT101M25	C 395	(B,66,164)	CKSRYB103K50
	C 217	(B,37,170)	CKSRYB103K50	C 396	(A,61,157)	CEAT470M10
	C 218	(B,32,170)	CKSRYB103K50	C 397	(A,164,192)	CEANP3R3M50
C	C 219	(A,85,162)	CKSRYB223K50	C 398	(B,60,164)	CKSRYB103K50
	C 220	(A,100,160)	CKSRYB223K50	C 399	(A,53,157)	CEAT471M10
	C 222	(A,31,176)	CQMA471J50	C 400	(B,66,65)	CKSRYB104K25
	C 223	(A,47,171)	CQMA471J50	C 401	(A,124,84)	CEAT101M10
	C 236	(B,37,176)	CKSRYB103K50	C 402	(A,148,138)	CEAT470M10
	C 237	(B,34,170)	CKSRYB103K50	C 403	(A,158,140)	CKSRYB104K25
	C 243	(A,47,166)	CEANP100M25	C 404	(B,150,135)	CKSRYB103K50
	C 244	(A,28,167)	CEANP100M25	C 405	(A,154,80)	CEAT101M10
	C 292	(A,44,157)	CEAT471M10	C 406	(A,99,50)	CEAT101M10
	C 293	(B,48,153)	CKSRYB103K50	C 407	(A,145,115)	CEAT470M10
	C 294	(A,29,155)	CEAT101M25	C 408	(A,153,128)	CKSRYB103K50
	C 295	(B,33,156)	CKSRYB103K50	C 409	(A,177,80)	CEAT101M10
	C 296	(A,22,156)	CEAT470M10	C 410	(B,175,78)	CKSRYB103K50
	C 297	(A,27,159)	CKSRYB103K50	C 411	(A,147,80)	CEAT101M10
	C 298	(A,39,144)	CKSRYB103K50	C 412	(B,145,78)	CKSRYB103K50
D	C 301	(A,51,215)	CQMA152J50	C 413	(B,157,78)	CKSRYB103K50
	C 302	(A,46,201)	CQMA152J50	C 414	(B,168,76)	CKSRYB224K16
	C 303	(A,118,211)	CQMA152J50	C 415	(B,163,76)	CKSRYB223K50
	C 304	(A,136,208)	CQMA152J50	C 416	(B,135,84)	CKSRYB154K10
	C 305	(B,133,193)	CKSRYB223K50	C 417	(B,133,76)	CKSRYB472K50
	C 306	(A,133,197)	CKSRYB223K50	C 418	(B,124,72)	CKSRYB334K10
	C 307	(B,125,200)	CKSRYB223K50	C 419	(B,127,78)	CKSRYB103K50
	C 308	(A,130,197)	CKSRYB223K50	C 420	(B,168,116)	CCSRCH180J50
	C 309	(A,104,183)	CEANP100M25	C 421	(B,168,112)	CCSRCH150J50
	C 310	(A,109,189)	CEANP100M25	C 422	(A,171,59)	CKSRYB103K50
E	C 311	(A,87,177)	CEAT101M25	C 423	(A,177,63)	CEAT470M10
	C 312	(A,80,179)	CEAT101M25	C 424	(B,116,53)	CKSRYB103K50
	C 313	(B,64,181)	CKSRYB103K50	C 425	(A,142,102)	CEAT470M10
	C 314	(B,70,181)	CKSRYB103K50	C 426	(B,90,50)	CKSRYB104K25
	C 315	(B,99,175)	CCSRCH220J50	C 427	(B,89,68)	CKSRYB104K25
	C 316	(B,97,189)	CCSRCH220J50	C 428	(B,80,69)	CKSRYB104K25
	C 317	(A,108,174)	CEAT101M25	C 429	(B,80,56)	CKSRYB104K25
	C 318	(A,87,171)	CEAT101M25	C 430	(A,44,46)	CEAT470M10
	C 319	(B,99,182)	CKSRYB103K50	C 431	(B,74,56)	CKSRYB104K25
	C 320	(B,97,182)	CKSRYB103K50	C 432	(B,89,57)	CKSRYB104K25
F	C 321	(A,85,184)	CEANP100M25	C 433	(A,151,55)	CKSRYB103K50
	C 322	(A,88,190)	CEANP100M25	C 434	(A,152,55)	CKSRYB103K50
	C 323	(A,94,171)	CEANP100M25	C 435	(A,154,55)	CKSRYB103K50
	C 324	(A,100,171)	CEANP100M25	C 436	(A,155,55)	CKSRYB103K50
	C 325	(A,73,171)	CQMA392J50	C 437	(A,157,55)	CKSRYB103K50

5		6		7		8	
Mark No.	Description	Part No.	Mark No.	Description	Part No.		
C 438	(A,158,55)	CKSRYB103K50	C 511	(B,66,130)	CKSRYB104K25		
C 439	(A,160,55)	CKSRYB103K50	C 512	(B,54,107)	CKSRYB104K25		
C 440	(A,49,72)	CEAT470M10	C 513	(B,63,130)	CKSRYB104K25		
C 441	(A,51,53)	CKSRYB105K10	C 514	(B,49,124)	CKSRYB104K25		A
C 442	(B,126,52)	CKSRYB103K50	C 515	(B,71,102)	CKSRYB104K25		
C 443	(B,132,97)	CKSRYB103K50	C 516	(B,52,124)	CKSRYB104K25		
C 444	(B,102,73)	CKSRYB103K50	C 517	(B,59,130)	CKSRYB104K25		
C 445	(B,46,60)	CKSRYB104K25	C 518	(B,69,112)	CKSRYB104K25		
C 446	(A,158,129)	CKSRYB103K50	C 519	(B,57,130)	CKSRYB104K25		
C 447	(B,47,45)	CKSRYB103K50	C 520	(B,67,124)	CKSRYB104K25		
C 448	(B,160,114)	CKSRYB103K50	C 521	(B,52,130)	CKSRYB104K25		
C 449	(B,64,63)	CKSRYB104K25	C 522	(B,26,82)	CKSRYB104K25		
C 450	(B,38,43)	CKSRYB103K50	C 523	(B,22,82)	CKSRYB104K25		
C 451	(B,151,104)	CKSRYB103K50	C 524	(B,29,82)	CKSRYB104K25		
C 452	(A,58,59)	CKSRYB105K10	C 525	(B,33,81)	CKSRYB104K25		B
C 453	(B,158,104)	CKSRYB103K50	C 526	(B,39,80)	CKSRYB104K25		
C 454	(A,67,46)	CEAT100M50	C 527	(A,36,97)	CKSRYB104K25		
C 455	(B,61,45)	CKSRYB103K50	C 528	(B,44,130)	CKSRYB104K25		
C 456	(B,63,45)	CKSRYB104K25	C 529	(B,79,130)	CKSRYB104K25		
C 457	(B,167,100)	CKSRYB103K50	C 530	(A,89,133)	CEAT101M10		
C 458	(B,136,110)	CKSRYB103K50	C 532	(A,83,133)	CEAT101M10		
C 459	(B,127,108)	CCSRCH150J50	C 533	(A,34,97)	CKSRYB102K50		
C 460	(B,127,112)	CCSRCH120J50	C 534	(A,81,137)	CCSRCH150J50		
C 462	(B,158,201)	CKSRYB103K50	C 535	(A,39,134)	CEAT101M10		
C 463	(A,164,141)	CKSRYB103K50	C 536	(B,44,125)	CKSRYB104K25		C
C 464	(B,157,134)	CKSRYB103K50	C 537	(B,69,124)	CKSRYB104K25		
C 465	(B,167,134)	CKSRYB103K50	C 538	(B,49,107)	CKSRYB104K25		
C 466	(B,97,99)	CKSRYB103K50	C 539	(B,44,121)	CKSRYB104K25		
C 467	(A,45,71)	CKSRYB103K50	C 540	(B,52,107)	CKSRYB104K25		
C 468	(B,50,60)	CKSRYB104K25	C 541	(B,44,116)	CKSRYB104K25		
C 469	(B,52,60)	CKSRYB104K25	C 542	(B,57,107)	CKSRYB104K25		
C 470	(B,44,60)	CKSRYB104K25	C 543	(B,41,98)	CKSRYB104K25		
C 471	(A,62,43)	CKSRYB103K50	C 544	(B,61,107)	CKSRYB104K25		
C 472	(A,152,115)	CEAT470M10	C 545	(B,44,112)	CKSRYB104K25		
C 473	(A,85,111)	CKSRYB105K10	C 546	(B,44,107)	CKSRYB104K25		
C 474	(A,43,66)	CKSRYB103K50	C 547	(B,64,107)	CKSRYB104K25		D
C 475	(A,131,120)	CKSRYB103K50	C 548	(B,49,102)	CKSRYB104K25		
C 476	(B,55,64)	CKSRYB102K50	C 549	(B,69,107)	CKSRYB104K25		
C 477	(B,59,57)	CKSRYB104K25	C 550	(B,44,103)	CKSRYB104K25		
C 478	(A,132,66)	CKSRYB105K10	C 551	(B,54,102)	CKSRYB104K25		
C 479	(A,163,63)	CKSRYB105K10	C 552	(B,58,102)	CKSRYB104K25		
C 481	(A,159,119)	CKSRYB104K25	C 553	(B,69,116)	CKSRYB104K25		
C 482	(A,175,67)	CKSRYB104K25	C 554	(B,63,102)	CKSRYB104K25		
C 483	(A,126,66)	CKSRYB104K25	C 555	(A,85,115)	CKSRYB104K25		
C 484	(A,148,71)	CKSRYB104K25	C 556	(B,66,102)	CKSRYB104K25		
C 485	(A,156,66)	CKSRYB104K25	C 557	(B,74,105)	CKSRYB104K25		E
C 487	(A,110,60)	CKSRYB103K50	C 558	(B,74,109)	CKSRYB104K25		
C 488	(A,145,119)	CKSRYB103K50	C 559	(B,74,114)	CKSRYB104K25		
C 490	(A,64,56)	CKSRYB103K50	C 560	(B,69,120)	CKSRYB104K25		
C 500	(A,90,136)	CKSRYB103K50	C 561	(B,74,119)	CKSRYB104K25		
C 501	(B,108,115)	CKSRYB103K50	C 562	(B,74,123)	CKSRYB104K25		
C 502	(B,101,115)	CKSRYB103K50	C 563	(A,101,122)	CKSRYB102K50		
C 503	(A,79,129)	CKSRYB334K10	C 566	(A,149,54)	CKSRYB103K50		
C 504	(A,81,98)	CEAT101M10	C 1401	(B,51,175)	CKSRYB104K25		
C 505	(A,98,117)	CEAT101M10	C 1402	(A,138,146)	CCSRCH221J50		
C 506	(B,49,112)	CKSRYB104K25	C 1424	(B,138,133)	CKSRYB104K25		
C 507	(A,44,132)	CKSRYB104K25	C 1425	(B,138,137)	CKSRYB224K16		F
C 508	(B,70,130)	CKSRYB104K25	C 1475	(A,135,124)	CCSRCH121J50		
C 509	(B,49,116)	CKSRYB104K25	C 1503	(A,127,98)	CCSRCH470J50		
C 510	(B,49,120)	CKSRYB104K25	C 1504	(B,104,136)	CCSRCH470J50		

**Mark No. Description****Part No.****Mark No. Description****Part No.**

C 1508(A,163,128) CCSRCH820J50  
 C 1510(B,70,91) CCSRCH101J50  
 C 1511(B,68,91) CCSRCH101J50  
 C 1512(B,62,73) CKSRYB103K50  
 C 1515(B,27,55) CKSRYB103K50  
 C 1516(A,62,89) CCSRCH101J50  
 C 1517(A,89,78) CKSRYB103K50

Q 752 (B,249,174) DIGITATRANSISTOR DTA143EUA  
 Q 753 (B,281,174) DIGITATRANSISTOR DTA143EUA  
 Q 754 (B,275,174) DIGITATRANSISTOR DTA143EUA  
 Q 755 (B,268,174) DIGITATRANSISTOR DTA143EUA  
 Q 757 (B,294,174) DIGITATRANSISTOR DTA143EUA  
 Q 758 (B,288,174) DIGITATRANSISTOR DTA143EUA  
 Q 762 (B,58,166) DIGITATRANSISTOR DTC124EUA  
 Q 763 (B,71,166) DIGITATRANSISTOR DTC124EUA  
 Q 764 (B,44,166) DIGITATRANSISTOR DTC124EUA

Q 765 (B,32,166) DIGITATRANSISTOR DTC124EUA  
 Q 766 (B,70,185) DIGITATRANSISTOR DTC124EUA  
 Q 767 (B,56,185) DIGITATRANSISTOR DTC124EUA  
 Q 768 (B,39,97) DIGITATRANSISTOR DTC124EUA  
 Q 769 (B,35,186) DIGITATRANSISTOR DTC124EUA

D 701 (B,192,174) DIODE 1SS355  
 D 702 (B,199,174) DIODE 1SS355  
 D 703 (B,205,174) DIODE 1SS355  
 D 704 (B,212,174) DIODE 1SS355  
 D 705 (B,218,174) DIODE 1SS355

D 706 (B,225,174) DIODE 1SS355  
 D 707 (B,231,174) DIODE 1SS355  
 D 708 (B,238,174) DIODE 1SS355  
 D 709 (B,245,174) DIODE 1SS355  
 D 710 (B,252,174) DIODE 1SS355

D 711 (B,258,174) DIODE 1SS355  
 D 712 (B,265,174) DIODE 1SS355  
 D 713 (B,271,174) DIODE 1SS355  
 D 714 (B,278,174) DIODE 1SS355  
 D 715 (B,284,174) DIODE 1SS355

D 716 (B,291,174) DIODE 1SS355  
 D 717 (B,297,174) DIODE 1SS355  
 D 718 (B,100,26) DIODE UDZS5R1(B)  
 D 722 (B,125,31) DIODE DAN202K  
 D 723 (B,98,31) CHIP DIODE RB501V-40

D 726 (B,83,100) DIODE 1SS355  
 D 727 (B,182,190) DIODE 1SS355  
 D 728 (B,248,188) DIODE 1SS355  
 D 729 (B,236,188) DIODE 1SS355  
 D 736 (B,50,192) DIODE RB160L-40

D 737 (B,120,206) DIODE RB160L-40  
 D 738 (B,179,186) DIODE RB160L-40  
 D 739 (B,81,188) DIODE RB160L-40  
 D 740 (B,39,174) DIODE RB160L-40  
 D 741 (B,101,91) DIODE RB160L-40

D 742 (B,71,158) DIODE RB160L-40  
 D 743 (B,113,139) DIODE RB160L-40  
 D 744 (B,229,186) DIODE 1SS355  
 D 745 (B,223,186) DIODE 1SS355  
 D 746 (B,213,185) DIODE 1SS355

D 747 (B,207,186) DIODE 1SS355  
 D 748 (B,140,198) DIODE 1SS355  
 D 749 (B,138,185) DIODE 1SS355  
 D 750 (B,125,198) DIODE 1SS355  
 D 751 (B,125,186) DIODE 1SS355

D 752 (B,113,193) DIODE 1SS355  
 D 753 (B,113,184) DIODE 1SS355  
 D 754 (B,101,190) DIODE 1SS355  
 D 755 (B,101,181) DIODE 1SS355  
 D 756 (B,73,67) DIODE 1SS355

D 801 (A,64,40) LED(BLUE) SLR-343BBT(HJKL)

**B CTRL ASSY****MISCELLANEOUS**

B IC 701 (A,109,24) PROTECTOR(500MA) AEK7005  
 IC 703 (B,86,65) IC TC74VHC04FS1  
 IC 705 (B,162,74) FDRIVER IC UPD16306B  
 Q 702 (B,57,174) TRANSISTOR 2SD2114K  
 Q 704 (B,70,174) TRANSISTOR 2SD2114K

Q 706 (B,44,174) TRANSISTOR 2SD2114K  
 Q 708 (B,32,174) TRANSISTOR 2SD2114K  
 Q 710 (B,70,192) TRANSISTOR 2SD2114K  
 Q 712 (B,56,192) TRANSISTOR 2SD2114K  
 Q 714 (B,42,115) TRANSISTOR 2SD2114K

C Q 716 (B,35,192) TRANSISTOR 2SD2114K  
 Q 717 (B,133,30) DIGITATRANSISTOR DTA143EUA  
 Q 718 (B,136,35) CHIP TRANSISTOR DTC114EUA  
 Q 719 (A,130,39) TRANSISTOR 2SB1243  
 Q 720 (A,120,39) TRANSISTOR 2SB1243

Q 721 (B,100,52) TRANSISTOR 2SA1037K  
 Q 722 (B,105,87) TRANSISTOR 2SA1037K  
 Q 723 (B,52,50) TRANSISTOR 2SA1037K  
 Q 724 (B,31,34) TRANSISTOR 2SA1037K  
 Q 725 (B,77,102) TRANSISTOR 2SA1037K

D Q 726 (B,190,193) TRANSISTOR 2SA1037K  
 Q 727 (B,245,193) TRANSISTOR 2SA1037K  
 Q 728 (B,233,193) TRANSISTOR 2SA1037K  
 Q 729 (B,226,193) TRANSISTOR 2SA1037K  
 Q 730 (B,220,193) TRANSISTOR 2SA1037K

Q 731 (B,210,193) TRANSISTOR 2SA1037K  
 Q 732 (B,204,193) TRANSISTOR 2SA1037K  
 Q 733 (B,133,198) TRANSISTOR 2SA1037K  
 Q 734 (B,133,189) TRANSISTOR 2SA1037K  
 Q 735 (B,118,198) TRANSISTOR 2SA1037K

E Q 736 (B,118,189) TRANSISTOR 2SA1037K  
 Q 737 (B,108,198) TRANSISTOR 2SA1037K  
 Q 738 (B,108,189) TRANSISTOR 2SA1037K  
 Q 739 (B,96,195) TRANSISTOR 2SA1037K  
 Q 740 (B,96,186) TRANSISTOR 2SA1037K

Q 741 (B,202,174) DIGITATRANSISTOR DTA143EUA  
 Q 742 (B,196,174) DIGITATRANSISTOR DTA143EUA  
 Q 743 (B,190,174) DIGITATRANSISTOR DTA143EUA  
 Q 744 (B,222,174) DIGITATRANSISTOR DTA143EUA  
 Q 745 (B,215,174) DIGITATRANSISTOR DTA143EUA

F Q 746 (B,209,174) DIGITATRANSISTOR DTA143EUA  
 Q 747 (B,242,174) DIGITATRANSISTOR DTA143EUA  
 Q 748 (B,235,174) DIGITATRANSISTOR DTA143EUA  
 Q 749 (B,228,174) DIGITATRANSISTOR DTA143EUA  
 Q 750 (B,262,174) DIGITATRANSISTOR DTA143EUA

Q 751 (B,255,174) DIGITATRANSISTOR DTA143EUA



5			6			7			8		
Mark No.	Description	Part No.	Mark No.	Description	Part No.	Mark No.	Description	Part No.	Mark No.	Description	Part No.
D 802	(A,74,30) LED(BLUE)	SLR-343BBT(HJKL)	D 868	(A,66,160) LED(YELLOW)	SLI-343YCW(RST)	D 870	(A,87,160) LED(YELLOW)	SLI-343YCW(RST)	D 871	(A,103,160) LED(YELLOW)	SLI-343YCW(RST)
D 803	(B,105,202) DIODE	1SS355	D 869	(A,81,160) LED(YELLOW)	SLI-343YCW(RST)	D 872	(A,109,160) LED(YELLOW)	SLI-343YCW(RST)	D 873	(A,124,160) LED(YELLOW)	SLI-343YCW(RST)
D 804	(A,129,213) LED(RED)	SLI-343URCW(RST)	D 870	(A,87,160) LED(YELLOW)	SLI-343YCW(RST)	D 874	(A,130,160) LED(YELLOW)	SLI-343YCW(RST)	D 875	(A,146,160) LED(YELLOW)	SLI-343YCW(RST)
D 805	(A,137,213) LED(RED)	SLI-343URCW(RST)	D 871	(A,103,160) LED(YELLOW)	SLI-343YCW(RST)	D 876	(A,152,160) LED(YELLOW)	SLI-343YCW(RST)	D 877	(A,176,160) LED(YELLOW)	SLI-343YCW(RST)
D 806	(A,129,206) LED(RED)	SLI-343URCW(RST)	D 872	(A,109,160) LED(YELLOW)	SLI-343YCW(RST)	D 878	(A,182,160) LED(YELLOW)	SLI-343YCW(RST)	D 879	(A,197,160) LED(YELLOW)	SLI-343YCW(RST)
D 807	(A,137,206) LED(RED)	SLI-343URCW(RST)	D 873	(A,124,160) LED(YELLOW)	SLI-343YCW(RST)	D 880	(A,203,160) LED(YELLOW)	SLI-343YCW(RST)	D 881	(A,219,160) LED(YELLOW)	SLI-343YCW(RST)
D 808	(A,145,213) LED(RED)	SLI-343URCW(RST)	D 874	(A,130,160) LED(YELLOW)	SLI-343YCW(RST)	D 882	(A,225,160) LED(YELLOW)	SLI-343YCW(RST)	D 883	(A,240,160) LED(YELLOW)	SLI-343YCW(RST)
D 809	(A,145,206) LED(RED)	SLI-343URCW(RST)	D 875	(A,146,160) LED(YELLOW)	SLI-343YCW(RST)	D 884	(A,246,160) LED(YELLOW)	SLI-343YCW(RST)	D 885	(A,262,160) LED(YELLOW)	SLI-343YCW(RST)
D 810	(A,152,213) LED(GREEN)	TLGE68TG(NP)	D 876	(A,152,160) LED(YELLOW)	SLI-343YCW(RST)	D 886	(A,268,160) LED(YELLOW)	SLI-343YCW(RST)	D 887	(A,283,160) LED(YELLOW)	SLI-343YCW(RST)
D 811	(A,152,206) LED(GREEN)	TLGE68TG(NP)	D 877	(A,176,160) LED(YELLOW)	SLI-343YCW(RST)	D 888	(A,289,160) LED(YELLOW)	SLI-343YCW(RST)	D 889	(A,305,160) LED(YELLOW)	SLI-343YCW(RST)
D 812	(A,159,213) LED(GREEN)	TLGE68TG(NP)	D 878	(A,182,160) LED(YELLOW)	SLI-343YCW(RST)	D 890	(A,311,160) LED(YELLOW)	SLI-343YCW(RST)	D 891	(A,32,139) LED(RED)	SLR-343VC(NPQ)
D 813	(A,159,206) LED(GREEN)	TLGE68TG(NP)	D 879	(A,197,160) LED(YELLOW)	SLI-343YCW(RST)	D 892	(A,59,139) LED	EBR5074X	D 893	(A,83,139) LED	EBR5074X
D 814	(A,165,213) LED(GREEN)	TLGE68TG(NP)	D 880	(A,203,160) LED(YELLOW)	SLI-343YCW(RST)	D 894	(A,107,139) LED	EBR5074X	D 895	(A,63,111) LED	EBR5074X
D 815	(A,165,206) LED(GREEN)	TLGE68TG(NP)	D 881	(A,219,160) LED(YELLOW)	SLI-343YCW(RST)	D 896	(A,86,111) LED	EBR5074X	D 897	(A,52,107) LED (RED)	SLI-343URCW(RST)
D 816	(A,172,213) LED(GREEN)	TLGE68TG(NP)	D 882	(A,225,160) LED(YELLOW)	SLI-343YCW(RST)	D 898	(A,74,113) LED (RED)	SLI-343URCW(RST)	D 899	(A,97,107) LED (RED)	SLI-343URCW(RST)
D 817	(A,172,206) LED(GREEN)	TLGE68TG(NP)	D 883	(A,240,160) LED(YELLOW)	SLI-343YCW(RST)	D 900	(A,222,139) LED	EBR5074X	D 901	(A,246,139) LED	EBR5074X
D 818	(A,178,213) LED(GREEN)	TLGE68TG(NP)	D 884	(A,246,160) LED(YELLOW)	SLI-343YCW(RST)	D 902	(A,270,139) LED	EBR5074X	D 903	(A,292,139) LED (RED)	SLR-343VC(NPQ)
D 819	(A,178,206) LED(GREEN)	TLGE68TG(NP)	D 885	(A,262,160) LED(YELLOW)	SLI-343YCW(RST)	D 904	(A,42,100) LED	EBR5074X	D 905	(A,106,100) LED	EBR5074X
D 820	(A,185,213) LED(GREEN)	TLGE68TG(NP)	D 886	(A,268,160) LED(YELLOW)	SLI-343YCW(RST)	D 906	(A,35,91) LED (RED)	SLI-343URCW(RST)	D 907	(A,113,91) LED (RED)	SLI-343URCW(RST)
D 821	(A,185,206) LED(GREEN)	TLGE68TG(NP)	D 887	(A,283,160) LED(YELLOW)	SLI-343YCW(RST)	D 908	(A,31,80) LED	EBR5074X	D 909	(A,54,72) LED	EBR5074X
D 822	(A,191,213) LED(GREEN)	TLGE68TG(NP)	D 888	(A,289,160) LED(YELLOW)	SLI-343YCW(RST)	D 910	(A,119,81) LED	EBR5074X	D 911	(A,94,72) LED (BLUE)	SLR-343BBT(HJKL)
D 823	(A,191,206) LED(GREEN)	TLGE68TG(NP)	D 889	(A,305,160) LED(YELLOW)	SLI-343YCW(RST)	D 912	(A,29,68) LED (RED)	SLI-343URCW(RST)	D 913	(A,119,68) LED (RED)	SLI-343URCW(RST)
D 824	(A,198,213) LED(GREEN)	TLGE68TG(NP)	D 890	(A,311,160) LED(YELLOW)	SLI-343YCW(RST)	D 914	(A,31,56) LED	EBR5074X	D 915	(A,74,50) LED (BLUE)	SLR-343BBT(HJKL)
D 825	(A,198,206) LED(GREEN)	TLGE68TG(NP)	D 891	(A,32,139) LED(RED)	SLR-343VC(NPQ)	D 916	(A,84,40) LED (BLUE)	SLR-343BBT(HJKL)	D 917	(A,119,58) LED	EBR5074X
D 826	(A,204,213) LED(YELLOW)	SLI-343YCW(RST)	D 892	(A,59,139) LED	EBR5074X	D 918	(A,113,46) LED (RED)	SLI-343URCW(RST)	D 919	(A,37,47) LED (RED)	SLI-343URCW(RST)
D 827	(A,204,206) LED (YELLOW)	SLI-343YCW(RST)	D 893	(A,83,139) LED	EBR5074X	D 920	(B,254,200) DIODE	1SS355	D 921	(B,278,186) DIODE	1SS355
D 828	(A,211,213) LED (YELLOW)	SLI-343YCW(RST)	D 894	(A,107,139) LED	EBR5074X	D 922	(B,254,200) DIODE	1SS355	D 924	(B,30,158) DIODE	1SS355
D 829	(A,211,206) LED (YELLOW)	SLI-343YCW(RST)	D 895	(A,63,111) LED	EBR5074X	D 925	(B,33,158) DIODE	1SS355	D 926	(B,57,154) DIODE	1SS355
D 830	(A,217,213) LED (YELLOW)	SLI-343YCW(RST)	D 896	(A,86,111) LED	EBR5074X	D 927	(B,79,151) DIODE	1SS355	D 928	(B,112,154) DIODE	1SS355
D 831	(A,217,206) LED (YELLOW)	SLI-343YCW(RST)	D 897	(A,52,107) LED (RED)	SLI-343URCW(RST)	D 929	(B,121,154) DIODE	1SS355			
D 832	(A,224,213) LED (YELLOW)	SLI-343YCW(RST)	D 898	(A,74,113) LED (RED)	SLI-343URCW(RST)						
D 833	(A,224,206) LED (YELLOW)	SLI-343YCW(RST)	D 899	(A,97,107) LED (RED)	SLI-343URCW(RST)						
D 834	(A,230,213) LED (RED)	SLI-343URCW(RST)	D 900	(A,222,139) LED	EBR5074X						
D 835	(A,230,206) LED (RED)	SLI-343URCW(RST)	D 901	(A,246,139) LED	EBR5074X						
D 836	(A,237,213) LED (RED)	SLI-343URCW(RST)	D 902	(A,270,139) LED	EBR5074X						
D 837	(A,237,206) LED (RED)	SLI-343URCW(RST)	D 903	(A,292,139) LED (RED)	SLR-343VC(NPQ)						
D 840	(A,258,208) LED (BLUE)	SLR-343BBT(HJKL)	D 904	(A,42,100) LED	EBR5074X						
D 841	(A,276,208) LED (RED)	SLI-343URCW(RST)	D 905	(A,106,100) LED	EBR5074X						
D 842	(A,190,181) LED	EBR5074X	D 906	(A,35,91) LED (RED)	SLI-343URCW(RST)						
D 843	(A,197,181) LED	EBR5074X	D 907	(A,113,91) LED (RED)	SLI-343URCW(RST)						
D 844	(A,203,181) LED	EBR5074X	D 908	(A,31,80) LED	EBR5074X						
D 845	(A,210,181) LED	EBR5074X	D 909	(A,54,72) LED	EBR5074X						
D 846	(A,217,181) LED	EBR5074X	D 910	(A,119,81) LED	EBR5074X						
D 847	(A,223,181) LED	EBR5074X	D 911	(A,94,72) LED (BLUE)	SLR-343BBT(HJKL)						
D 848	(A,230,181) LED	EBR5074X	D 912	(A,29,68) LED (RED)	SLI-343URCW(RST)						
D 849	(A,236,181) LED	EBR5074X	D 913	(A,119,68) LED (RED)	SLI-343URCW(RST)						
D 850	(A,243,181) LED	EBR5074X	D 914	(A,31,56) LED	EBR5074X						
D 851	(A,250,181) LED	EBR5074X	D 915	(A,74,50) LED (BLUE)	SLR-343BBT(HJKL)						
D 852	(A,256,181) LED	EBR5074X	D 916	(A,84,40) LED (BLUE)	SLR-343BBT(HJKL)						
D 853	(A,263,181) LED	EBR5074X	D 917	(A,119,58) LED	EBR5074X						
D 854	(A,269,181) LED	EBR5074X	D 918	(A,113,46) LED (RED)	SLI-343URCW(RST)						
D 855	(A,276,181) LED	EBR5074X	D 919	(A,37,47) LED (RED)	SLI-343URCW(RST)						
D 856	(A,283,181) LED	EBR5074X	D 920	(B,254,200) DIODE	1SS355						
D 857	(A,289,181) LED	EBR5074X	D 921	(B,278,186) DIODE	1SS355						
D 858	(A,296,181) LED	EBR5074X	D 924	(B,30,158) DIODE	1SS355						
D 863	(A,17,160) LED(YELLOW)	SLI-343YCW(RST)	D 925	(B,33,158) DIODE	1SS355						
D 864	(A,23,160) LED(YELLOW)	SLI-343YCW(RST)	D 926	(B,57,154) DIODE	1SS355						
D 865	(A,38,160) LED(YELLOW)	SLI-343YCW(RST)	D 927	(B,79,151) DIODE	1SS355						
D 866	(A,44,160) LED(YELLOW)	SLI-343YCW(RST)	D 928	(B,112,154) DIODE	1SS355						
D 867	(A,60,160) LED(YELLOW)	SLI-343YCW(RST)	D 929	(B,121,154) DIODE	1SS355						



	<u>Mark No.</u>	<u>Description</u>	<u>Part No.</u>	<u>Mark No.</u>	<u>Description</u>	<u>Part No.</u>
	D 930	(B,155,154) DIODE	1SS355	S 810	(A,146,152) TACT SWITCH	DSG1079
	D 931	(B,185,152) DIODE	1SS355	S 811	(A,176,152) TACT SWITCH	DSG1079
	D 932	(B,206,153) DIODE	1SS355	S 812	(A,198,152) TACT SWITCH	DSG1079
A	D 933	(B,228,152) DIODE	1SS355	S 813	(A,219,152) TACT SWITCH	DSG1079
	D 934	(B,249,152) DIODE	1SS355	S 814	(A,241,152) TACT SWITCH	DSG1079
	D 935	(B,271,152) DIODE	1SS355	S 815	(A,262,152) TACT SWITCH	DSG1079
	D 936	(B,295,157) DIODE	1SS355	S 816	(A,284,152) TACT SWITCH	DSG1079
	D 937	(B,300,154) DIODE	1SS355	S 817	(A,305,152) TACT SWITCH	DSG1079
	D 938	(B,42,123) DIODE	1SS355	S 819	(A,53,136) TACT SWITCH	DSG1079
	D 939	(B,55,132) DIODE	1SS355	S 820	(A,77,136) TACT SWITCH	DSG1079
	D 940	(B,77,131) DIODE	1SS355	S 821	(A,101,136) TACT SWITCH	DSG1079
	D 941	(B,101,131) DIODE	1SS355	S 822	(A,203,139) TACT SWITCH	DSG1079
	D 942	(B,200,139) DIODE	1SS355	S 823	(A,217,136) TACT SWITCH	DSG1079
B	D 943	(B,187,152) DIODE	1SS355	S 824	(A,241,136) TACT SWITCH	DSG1079
	D 944	(B,208,156) DIODE	1SS355	S 825	(A,265,136) TACT SWITCH	DSG1079
	D 945	(B,230,152) DIODE	1SS355	S 827	(A,35,106) TACT SWITCH	DSG1079
	D 946	(B,282,133) DIODE	1SS355	S 828	(A,59,120) TACT SWITCH	DSG1079
	D 947	(B,35,102) DIODE	1SS355	S 829	(A,87,120) TACT SWITCH	DSG1079
	D 948	(B,59,126) DIODE	1SS355	S 830	(A,111,106) TACT SWITCH	DSG1079
	D 949	(B,86,128) DIODE	1SS355	S 831	(A,24,79) TACT SWITCH	DSG1079
	D 950	(B,112,112) DIODE	1SS355	S 832	(A,127,79) TACT SWITCH	DSG1079
	D 951	(B,27,78) DIODE	1SS355	S 833	(A,24,52) TACT SWITCH	DSG1079
	D 952	(B,126,89) DIODE	1SS355	S 834	(A,49,65) TACT SWITCH	DSG1079
	D 955	(B,48,73) DIODE	1SS355	S 837	(A,73,40) TACT SWITCH	DSG1079
C	D 957	(B,101,72) DIODE	1SS355	S 838	(A,97,65) TACT SWITCH	DSG1079
	D 958	(B,29,50) DIODE	1SS355	S 840	(A,127,52) TACT SWITCH	DSG1079
	D 961	(B,80,35) DIODE	1SS355	S 842	(A,49,207) SWITCH	ASH1014
	D 962	(B,122,52) DIODE	1SS355	S 843	(A,73,72) TACT SWITCH	DSG1089
	D 963	(B,299,203) DIODE	DAN217U	0	VOPLATE TIME	DNF1711
	D 964	(B,149,125) DIODE	DAN217U	0	FLANGE NUT M9	DBN1008
	D 965	(B,165,122) DIODE	DAN217U	0	VOPLATE LEVEL	DNF1721
	D 966	(B,145,115) DIODE	DAN217U	0	VOPLATE MAIN	DNF1709
	D 967	(B,183,102) DIODE	DAN217U	0	2P CABLE HOLDER	51048-0200
	D 968	(B,144,40) DIODE	DAN217U	CN701	(A,134,14) CONNECTOR 10P	52492-1020
	D 969	(B,183,43) DIODE	DAN217U	CN705	(A,180,14) CONNECTOR 28P	52492-2820
D	D 975	(B,61,206) DIODE	1SS355	CN713	(A,186,55) CONNECTOR	S4B-PH
	D 976	(B,59,206) DIODE	1SS355	CN715	(A,166,177) 20P CONNECTOR	VKN1280
	D 977	(B,76,212) DIODE	1SS355			
	D 978	(B,74,212) DIODE	1SS355			
	D 979	(B,55,202) DIODE	1SS355	R 700	(B,127,169)	RS1/16S152J
	D 980	(B,102,33) DIODE	1SS355	R 701	(B,125,169)	RS1/16S152J
	VR701	(A,301,211) ROTARY VR	DCS1086	R 702	(B,123,173)	RS1/16S152J
	VR702	(A,146,130) POTENTIONETER	DCS1065	R 703	(B,57,179)	RS1/16S472J
	VR703	(A,182,130) POTENTIONETER	DCS1065	R 705	(B,143,199)	RS1/16S221J
	VR704	(A,146,98) POTENTIONETER	DCS1065	R 706	(B,144,218)	RS1/16S221J
E	VR705	(A,182,98) POTENTIONETER	DCS1065	R 707	(B,70,179)	RS1/16S472J
	VR706	(A,146,26) POTENTIONETER	DCS1065	R 709	(B,153,218)	RS1/16S820J
	VR707	(A,182,26) POTENTIONETER	DCS1065	R 710	(B,160,218)	RS1/16S820J
	S 701	(A,69,215) SLIDE SWITCH	DSH1062	R 711	(B,44,179)	RS1/16S472J
	S 702	(A,89,215) SLIDE SWITCH	DSH1062	R 713	(B,166,218)	RS1/16S820J
	S 708	(A,34,26) 12MM GS ENCODER	DSX1064	R 714	(B,173,218)	RS1/16S820J
	S 801	(A,109,203) TACT SWITCH	DSG1079	R 715	(B,32,179)	RS1/16S472J
	S 802	(A,257,202) TACT SWITCH	DSG1079	R 717	(B,179,218)	RS1/16S820J
	S 803	(A,275,202) TACT SWITCH	DSG1079	R 718	(B,186,218)	RS1/16S820J
	S 804	(A,17,152) TACT SWITCH	DSG1079	R 719	(B,70,197)	RS1/16S472J
	S 805	(A,39,152) TACT SWITCH	DSG1079	R 721	(B,192,218)	RS1/16S820J
F	S 806	(A,60,152) TACT SWITCH	DSG1079	R 722	(B,199,218)	RS1/16S820J
	S 807	(A,82,152) TACT SWITCH	DSG1079	R 723	(B,57,197)	RS1/16S472J
	S 808	(A,103,152) TACT SWITCH	DSG1079	R 725	(B,205,218)	RS1/16S820J
	S 809	(A,125,152) TACT SWITCH	DSG1079			

**RESISTORS**

5		6		7		8	
Mark No.	Description	Part No.	Mark No.	Description	Part No.		
R 726	(B,212,218)	RS1/16S820J	R 788	(B,195,167)	RS1/16S222J		
R 727	(B,43,110)	RS1/16S472J	R 789	(B,189,167)	RS1/16S222J		
R 729	(B,218,218)	RS1/16S820J	R 790	(B,221,167)	RS1/16S222J		
R 730	(B,223,218)	RS1/16S820J	R 791	(B,214,167)	RS1/16S222J		A
R 731	(B,42,192)	RS1/16S472J	R 792	(B,208,167)	RS1/16S222J		
R 733	(B,245,210)	RS1/16S221J	R 793	(B,241,167)	RS1/16S222J		
R 734	(B,248,210)	RS1/16S221J	R 794	(B,234,167)	RS1/16S222J		
R 735	(B,150,199)	RS1/16S820J	R 795	(B,227,167)	RS1/16S222J		
R 736	(B,158,199)	RS1/16S820J	R 796	(B,261,167)	RS1/16S222J		
R 737	(B,163,199)	RS1/16S820J	R 797	(B,254,167)	RS1/16S222J		
R 738	(B,168,199)	RS1/16S820J	R 798	(B,248,167)	RS1/16S222J		
R 739	(B,181,199)	RS1/16S820J	R 799	(B,281,167)	RS1/16S222J		
R 740	(B,186,199)	RS1/16S820J	R 800	(B,274,167)	RS1/16S222J		
R 741	(B,105,51)	RS1/16S242J	R 801	(B,268,167)	RS1/16S222J		
R 742	(B,103,51)	RS1/16S103J	R 803	(B,294,167)	RS1/16S222J		B
R 743	(B,107,81)	RS1/16S242J	R 804	(B,287,167)	RS1/16S222J		
R 744	(B,104,81)	RS1/16S103J	R 808	(B,173,57)	RS1/16S103J		
R 745	(B,58,50)	RS1/16S242J	R 809	(B,229,199)	RS1/16S221J		
R 746	(B,56,50)	RS1/16S103J	R 810	(B,236,199)	RS1/16S221J		
R 747	(B,37,33)	RS1/16S242J	R 811	(B,177,58)	RS1/16S103J		
R 748	(B,35,33)	RS1/16S103J	R 812	(B,245,204)	RS1/16S122J		
R 749	(B,81,100)	RS1/16S102J	R 813	(B,273,208)	RS1/16S331J		
R 750	(B,73,101)	RS1/16S103J	R 814	(B,25,166)	RS1/16S101J		
R 751	(B,191,188)	RS1/16S102J	R 815	(B,68,139)	RS1/16S820J		
R 752	(B,189,188)	RS1/16S103J	R 816	(B,85,133)	RS1/16S820J		
R 753	(B,246,188)	RS1/16S102J	R 817	(B,109,133)	RS1/16S820J		C
R 754	(B,244,188)	RS1/16S103J	R 818	(B,125,173)	RS1/16S152J		
R 755	(B,234,188)	RS1/16S102J	R 819	(B,123,169)	RS1/16S152J		
R 756	(B,232,188)	RS1/16S103J	R 820	(B,146,199)	RS1/16S221J		
R 757	(B,227,188)	RS1/16S102J	R 821	(B,146,218)	RS1/16S221J		
R 758	(B,225,188)	RS1/16S103J	R 822	(B,152,199)	RS1/16S820J		
R 759	(B,221,188)	RS1/16S102J	R 823	(B,151,218)	RS1/16S820J		
R 760	(B,219,188)	RS1/16S103J	R 824	(B,156,199)	RS1/16S820J		
R 761	(B,211,188)	RS1/16S102J	R 825	(B,158,218)	RS1/16S820J		
R 762	(B,209,188)	RS1/16S103J	R 826	(B,161,199)	RS1/16S820J		
R 763	(B,204,188)	RS1/16S102J	R 827	(B,164,218)	RS1/16S820J		D
R 764	(B,202,188)	RS1/16S103J	R 828	(B,166,199)	RS1/16S820J		
R 765	(B,138,198)	RS1/16S102J	R 829	(B,171,218)	RS1/16S820J		
R 766	(B,136,198)	RS1/16S103J	R 830	(B,179,199)	RS1/16S820J		
R 767	(B,138,189)	RS1/16S102J	R 831	(B,177,218)	RS1/16S820J		
R 768	(B,136,189)	RS1/16S103J	R 832	(B,184,199)	RS1/16S820J		
R 769	(B,123,198)	RS1/16S102J	R 833	(B,184,218)	RS1/16S820J		
R 770	(B,121,198)	RS1/16S103J	R 834	(B,190,199)	RS1/16S820J		
R 771	(B,123,189)	RS1/16S102J	R 835	(B,190,218)	RS1/16S820J		
R 772	(B,121,189)	RS1/16S103J	R 836	(B,197,199)	RS1/16S820J		
R 773	(B,113,198)	RS1/16S102J	R 837	(B,197,218)	RS1/16S820J		
R 774	(B,111,198)	RS1/16S103J	R 838	(B,203,199)	RS1/16S820J		E
R 775	(B,113,189)	RS1/16S102J	R 839	(B,203,218)	RS1/16S820J		
R 776	(B,111,189)	RS1/16S103J	R 840	(B,210,199)	RS1/16S820J		
R 777	(B,101,195)	RS1/16S102J	R 841	(B,210,218)	RS1/16S820J		
R 778	(B,99,195)	RS1/16S103J	R 842	(B,216,199)	RS1/16S820J		
R 779	(B,101,186)	RS1/16S102J	R 843	(B,216,218)	RS1/16S820J		
R 780	(B,99,186)	RS1/16S103J	R 844	(B,225,199)	RS1/16S820J		
R 781	(B,192,199)	RS1/16S820J	R 845	(B,225,218)	RS1/16S820J		
R 782	(B,199,199)	RS1/16S820J	R 846	(B,231,199)	RS1/16S221J		
R 783	(B,205,199)	RS1/16S820J	R 847	(B,243,210)	RS1/16S221J		
R 784	(B,212,199)	RS1/16S820J	R 848	(B,238,199)	RS1/16S221J		
R 785	(B,218,199)	RS1/16S820J	R 849	(B,250,210)	RS1/16S221J		F
R 786	(B,223,199)	RS1/16S820J	R 850	(B,229,139)	RS1/16S820J		
R 787	(B,201,167)	RS1/16S222J	R 851	(B,253,139)	RS1/16S820J		

	<u>Mark No.</u>	<u>Description</u>	<u>Part No.</u>	<u>Mark No.</u>	<u>Description</u>	<u>Part No.</u>
A	R 852	(B,248,204)	RS1/16S122J	R 912	(B,287,138)	RS1/16S101J
	R 853	(B,270,208)	RS1/16S331J	R 913	(B,43,94)	RS1/16S680J
	R 854	(A,105,119)	RD1/2VM151J	R 914	(B,55,102)	RS1/16S331J
	R 855	(B,128,139)	RS1/16S471J	R 915	(B,64,106)	RS1/16S680J
	R 856	(B,123,111)	RS1/16S471J	R 916	(B,88,106)	RS1/16S680J
	R 857	(B,128,107)	RS1/16S471J	R 917	(B,108,95)	RS1/16S680J
	R 858	(A,108,119)	RD1/2VM151J	R 918	(B,117,97)	RS1/16S331J
	R 859	(B,127,165)	RS1/16S471J	R 919	(A,28,98)	RD1/2VM471J
	R 860	(B,123,135)	RS1/16S471J	R 920	(B,46,89)	RS1/16S680J
	R 861	(A,194,194)	RD1/2VM151J	R 921	(B,123,63)	RS1/16S331J
B	R 862	(A,198,194)	RD1/2VM151J	R 922	(B,117,63)	RS1/16S680J
	R 863	(A,215,194)	RD1/2VM151J	R 923	(B,111,53)	RS1/16S331J
	R 864	(A,239,194)	RD1/2VM151J	R 924	(B,74,108)	RS1/16S331J
	R 865	(A,260,195)	RD1/2VM151J	R 925	(B,41,89)	RS1/16S331J
	R 866	(A,283,195)	RD1/2VM151J	R 926	(B,40,80)	RS1/16S680J
	R 867	(A,279,195)	RD1/2VM151J	R 927	(B,40,69)	RS1/16S331J
	R 868	(B,28,166)	RS1/16S101J	R 928	(B,128,115)	RS1/16S102J
	R 869	(B,66,139)	RS1/16S820J	R 929	(B,40,60)	RS1/16S680J
	R 870	(B,83,133)	RS1/16S820J	R 930	(B,40,52)	RS1/16S331J
	R 871	(B,107,133)	RS1/16S820J	R 931	(B,35,40)	RS1/16S102J
C	R 872	(B,231,139)	RS1/16S820J	R 932	(A,16,64)	RD1/2VM471J
	R 873	(B,255,139)	RS1/16S820J	R 933	(A,19,74)	RD1/2VM471J
	R 874	(B,277,139)	RS1/16S820J	R 934	(B,98,102)	RS1/16S331J
	R 875	(B,285,138)	RS1/16S101J	R 935	(B,56,80)	RS1/16S680J
	R 876	(B,62,106)	RS1/16S680J	R 944	(B,127,173)	RS1/16S152J
	R 877	(B,77,108)	RS1/16S331J	R 945	(B,128,135)	RS1/16S471J
	R 878	(B,90,106)	RS1/16S680J	R 946	(B,125,135)	RS1/16S471J
	R 879	(B,53,102)	RS1/16S331J	R 947	(B,123,165)	RS1/16S471J
	R 880	(B,100,102)	RS1/16S331J	R 948	(B,125,165)	RS1/16S471J
	R 881	(B,47,94)	RS1/16S680J	R 949	(B,123,107)	RS1/16S471J
	R 882	(B,110,95)	RS1/16S680J	R 950	(B,126,107)	RS1/16S471J
	R 883	(B,114,97)	RS1/16S331J	R 951	(B,128,111)	RS1/16S471J
	R 884	(B,43,89)	RS1/16S331J	R 952	(B,126,111)	RS1/16S471J
	R 885	(B,38,80)	RS1/16S680J	R 953	(B,123,139)	RS1/16S471J
	R 886	(B,49,89)	RS1/16S680J	R 954	(B,125,139)	RS1/16S471J
D	R 887	(B,54,80)	RS1/16S680J	R 955	(B,125,131)	RS1/16S102J
	R 888	(A,24,98)	RD1/2VM471J	R 956	(B,128,131)	RS1/16S102J
	R 889	(B,38,69)	RS1/16S331J	R 957	(B,87,25)	RS1/16S223J
	R 890	(B,121,63)	RS1/16S331J	R 958	(B,90,25)	RS1/16S223J
	R 891	(B,123,131)	RS1/16S102J	R 959	(B,127,36)	RS1/16S221J
	R 892	(A,16,55)	RD1/2VM471J	R 960	(B,27,40)	RS1/16S102J
	R 893	(B,38,60)	RS1/16S680J	R 961	(B,125,36)	RS1/16S182J
	R 894	(B,32,40)	RS1/16S102J	R 962	(B,127,40)	RS1/16S472J
	R 895	(A,16,89)	RD1/2VM471J	R 963	(B,125,40)	RS1/16S472J
	R 896	(B,114,63)	RS1/16S680J	R 965	(B,30,40)	RS1/16S102J
E	R 897	(B,38,52)	RS1/16S331J	R 966	(B,250,204)	RS1/16S122J
	R 898	(B,109,53)	RS1/16S331J	R 967	(B,187,30)	RS1/16S0R0J
	R 899	(B,86,77)	RS1/16S333J	R 968	(B,194,110)	RS1/16S0R0J
	R 900	(B,82,82)	RS1/16S333J	R 969	(B,285,132)	RS1/16S0R0J
	R 901	(B,89,86)	RS1/16S333J	R 970	(B,228,218)	RS1/16S0R0J
	R 902	(B,68,84)	RS1/16S333J	R 971	(B,100,218)	RS1/16S0R0J
	R 903	(B,70,77)	RS1/16S333J	R 972	(B,27,32)	RS1/16S0R0J
	R 904	(B,88,54)	RS1/16S333J	R 975	(B,98,21)	RS1/16S472J
	R 905	(B,88,77)	RS1/16S113J	R 976	(B,100,21)	RS1/16S472J
	R 906	(B,66,84)	RS1/16S113J	R 977	(B,138,18)	RS1/16S0R0J
F	R 907	(B,79,82)	RS1/16S113J	R 978	(B,140,22)	RS1/16S0R0J
	R 908	(B,68,77)	RS1/16S113J	R 979	(B,184,92)	RS1/16S0R0J
	R 909	(B,87,86)	RS1/16S113J	R 980	(B,185,30)	RS1/16S0R0J
	R 910	(B,86,54)	RS1/16S113J	R 981	(B,155,42)	RS1/16S0R0J
	R 911	(B,279,139)	RS1/16S820J	R 982	(B,156,36)	RS1/16S0R0J

5	6	7	8
Mark No.	Description	Part No.	Part No.
R 983 (B,152,42)	RS1/16S0R0J	C 723 (A,143,86)	CEAL100M35
R 984 (B,153,36)	RS1/16S0R0J	C 724 (A,163,46)	CEAL100M35
R 985 (B,133,43)	RS1/16S0R0J	C 725 (B,179,53)	CKSRYB103K50
R 986 (B,158,31)	RS1/16S0R0J	C 726 (B,98,36)	CKSRYB103K50
R 987 (B,158,27)	RS1/16S0R0J		
R 988 (B,159,43)	RS1/16S0R0J	C 727 (B,98,26)	CKSRYB103K50
R 989 (B,155,48)	RS1/16S0R0J		
R 990 (B,162,31)	RS1/16S0R0J		
R 991 (B,162,26)	RS1/16S0R0J		
R 992 (B,164,32)	RS1/16S0R0J		
R 993 (B,167,37)	RS1/16S0R0J		
R 994 (B,167,32)	RS1/16S0R0J		
R 995 (B,166,26)	RS1/16S0R0J		
R 996 (B,170,37)	RS1/16S0R0J		
R 997 (B,169,26)	RS1/16S0R0J		
R 998 (B,175,40)	RS1/16S0R0J		
R 999 (B,173,36)	RS1/16S0R0J		
R 1700(B,172,26)	RS1/16S0R0J		
R 1701(B,176,30)	RS1/16S0R0J		
R 1702(B,176,36)	RS1/16S0R0J		
R 1703(B,177,40)	RS1/16S0R0J		
R 1704(B,186,19)	RS1/16S0R0J		
R 1705(B,184,19)	RS1/16S0R0J		
R 1706(B,154,30)	RS1/16S0R0J		
R 1707(B,135,18)	RS1/16S0R0J		
R 1708(B,133,24)	RS1/16S0R0J		
R 1709(B,117,12)	RS1/16S0R0J		
R 1710(B,112,23)	RS1/16S0R0J		
R 1711(B,114,23)	RS1/16S0R0J		
R 1712(B,107,16)	RS1/16S0R0J		
R 1713(B,114,19)	RS1/16S0R0J		
R 1714(B,112,19)	RS1/16S0R0J		
R 1901(B,121,29)	RS1/16S182J		
R 1902(B,117,30)	RS1/16S182J		
R 1903(B,310,210)	RS1/16S0R0J		
R 1904(B,270,217)	RS1/16S0R0J		
R 1905(B,292,210)	RS1/16S0R0J		
R 1906(B,292,205)	RS1/16S0R0J		
R 1907(B,307,202)	RS1/16S0R0J		
R 1960(B,269,214)	RS1/16S0R0J		
R 1961(B,271,214)	RS1/16S0R0J		
<b>CAPACITORS</b>			
C 701 (B,78,64)	CKSRYB103K50		
C 702 (B,142,75)	CKSRYB103K50		
C 703 (B,160,53)	CKSRYB103K50		
C 704 (A,127,25)	CEAT221M10		
C 705 (B,180,66)	CKSRYB103K50		
C 706 (B,161,93)	CKSRYB103K50		
C 707 (A,118,27)	CEAT471M16		
C 709 (A,173,51)	CEAL100M35		
C 710 (B,124,25)	CKSRYB103K50		
C 711 (B,152,125)	CKSRYB103K50		
C 712 (B,168,122)	CKSRYB103K50		
C 713 (B,149,115)	CKSRYB103K50		
C 714 (B,186,102)	CKSRYB103K50		
C 715 (B,148,40)	CKSRYB103K50		
C 716 (B,186,43)	CKSRYB103K50		
C 717 (B,303,203)	CKSRYB103K50		
		<b>C SW2 ASSY</b>	
		<b>MISCELLANEOUS</b>	
		J 702 (A,296,126) JUMPER WIRE	D20PYY0205E
		S 704 (A,308,121) LEVER SWITCH	DSK1016
		0 2P CABLE HOLDER	51048-0200
		<b>D SW1 ASSY</b>	
		<b>MISCELLANEOUS</b>	
		J 701 (A,30,123) JUMPER WIRE	D20PYY0205E
		S 703 (A,20,121) LEVER SWITCH	DSK1016
		0 2P CABLE HOLDER	51048-0200
		<b>E 7 SEG ASSY</b>	
		<b>MISCELLANEOUS</b>	
		D 601 (A,204,194) LED(RED)	SML-212VT(QR)
		D 602 (A,204,199) LED(RED)	SML-212VT(QR)
		D 603 (A,204,182) LED(RED)	SML-212VT(QR)
		D 604 (A,204,186) LED(RED)	SML-212VT(QR)
		D 605 (A,199,192) LED(RED)	SML-212VT(QR)
		D 606 (A,199,196) LED(RED)	SML-212VT(QR)
		D 608 (A,203,127) LED(RED)	SML-212VT(QR)
		D 612 (A,205,154) LED	NKR131S
		D 613 (A,205,162) LED	NKR131S
		D 614 (A,205,169) LED	NKR131S
		D 615 (A,205,177) LED	NKR131S
		D 616 (A,205,93) LED	NKR131S
		D 617 (A,205,101) LED	NKR131S
		D 618 (A,205,108) LED	NKR131S
		D 619 (A,205,120) LED	NKR131S
		D 620 (A,203,132) LED (RED)	SML-212VT(QR)
		CN601 (A,205,67) CONNECTOR	SFW20R-1ST
		<b>RESISTORS</b>	
		R 601 (B,204,194)	RS1/16S471J
		R 602 (B,211,194)	RS1/16S471J
		R 603 (B,209,184)	RS1/16S391J
		R 604 (B,212,180)	RS1/16S391J
		R 605 (B,212,175)	RS1/16S391J
		R 606 (B,209,169)	RS1/16S391J
		R 607 (B,209,162)	RS1/16S391J
		R 608 (B,208,153)	RS1/16S391J
		R 609 (B,205,137)	RS1/16S391J
		R 610 (B,198,137)	RS1/16S391J
		R 611 (B,208,129)	RS1/16S391J
		R 613 (B,201,129)	RS1/16S471J

**Mark No. Description****Part No.**

R 614 (B,198,129)  
R 644 (B,209,180)  
R 645 (B,209,175)

RS1/16S471J  
RS1/16S391J  
RS1/16S391J

A

R 646 (B,212,169)  
R 647 (B,212,162)  
R 648 (B,211,153)  
R 649 (B,208,137)  
R 650 (B,201,137)

RS1/16S391J  
RS1/16S391J  
RS1/16S391J  
RS1/16S391J  
RS1/16S391J

R 651 (B,205,129)  
R 655 (B,206,194)  
R 656 (B,209,194)  
R 657 (B,212,184)

RS1/16S391J  
RS1/16S471J  
RS1/16S471J  
RS1/16S391J

B

**F MIDI ASSY****MISCELLANEOUS**

IC 1001(A,263,32) IC  
IC 1002(B,242,29) IC  
Q 1000(B,232,27) CHIP TRANSISTOR  
Q 1001(B,236,27) CHIP TRANSISTOR  
Q 1002(B,272,25) TRANSISTOR

PC900V0NSZX  
TC7SH08FUS1  
DTC114EUA  
DTC114EUA  
2SC2412K

C

Q 1003(B,236,21) CHIP TRANSISTOR  
D 1002(B,253,31) DIODE  
D 1003(B,287,33) DIODE  
D 1004(B,281,33) DIODE  
D 1005(B,277,33) DIODE

DTC114EUA  
1SS355  
DAN217U  
DAN217U  
DAN217U

D 1006(B,231,21) DIODE  
D 1007(B,303,32) DIODE  
D 1008(B,308,32) DIODE  
D 1010(B,220,33) ZENER DIODE  
D 1012(B,271,30) DIODE

DAN217U  
DAN217U  
DAN217U  
NNCD6.2MF  
DAN217U

D

L 1000(B,217,30) CHIP BEADS  
L 1001(B,227,30) CHIP BEADS  
L 1002(B,217,23) CHIP BEADS  
L 1003(B,290,32) CHIP BEADS  
L 1004(B,277,38) CHIP BEADS

VTL1108  
VTL1108  
VTL1108  
VTL1108  
VTL1105

L 1005(B,284,33) CHIP BEADS  
L 1006(B,274,42) CHIP BEADS  
JA 1000(A,261,52) CONNECTOR  
JA 1001(A,220,52) CONNECTOR  
JA 1002(A,286,52) MINI DIN SOCKET 8P

VTL1108  
VTL1099  
DKN1188  
DKN1188  
DKN1035

KN1000(A,238,36) WRAPPING TERMINAL  
S 1000(A,307,47) SLIDE SWITCH  
CN1001(A,285,22)  
12PJUMPER CONNECTOR

VNF1084  
DSH1063  
52147-1210

E

**RESISTORS**

R 1001(B,255,21)  
R 1002(A,250,33)  
R 1003(A,227,26)  
R 1004(A,210,29)  
R 1008(B,252,21)

RS1/16S561J  
RD1/2VM221J  
RD1/2VM221J  
RD1/2VM221J  
RS1/16S561J

R 1009(B,268,21)  
R 1010(B,266,21)  
R 1012(B,276,24)  
R 1013(B,281,24)  
R 1014(B,308,37)

RS1/16S680J  
RS1/16S221J  
RS1/16S122J  
RS1/16S102J  
RS1/16S102J

F

**Mark No. Description****Part No.**

R 1015(B,301,37)  
R 1018(B,233,22)  
R 1020(B,283,28)

RS1/16S102J  
RS1/16S103J  
RS1/16S181J

**CAPACITORS**

C 1002(B,245,30)  
C 1003(A,298,35)  
C 1004(B,274,33)  
C 1005(B,268,32)  
C 1006(B,222,23)

CKSRYB103K50  
CEAT470M10  
CKSRYB103K50  
CKSRYB104K25  
CKSRYB103K50

C 1007(A,219,26)  
C 1008(B,236,33)  
C 1011(B,311,26)  
C 1013(B,290,38)  
C 1014(B,208,37)

CEAT470M10  
CKSRYB223K50  
CKSRYB223K50  
CKSRYB223K50  
CCSRCH221J50

C 1015(B,210,37)

CCSRCH221J50

**G ACIN ASSY****MISCELLANEOUS**

AN1101(A,253,107) AC INLET 1P  
J 1 CONNECTOR ASSY  
0 PCB BINDER

XKP3041  
DKP3726  
VEF1040

**H ENCB ASSY****MISCELLANEOUS**

D 105 (A,225,79) ENCODER  
CN104 (A,211,87) CONNECTOR

RPI-2150N  
S4B-PH

**RESISTORS**

R 140 (B,209,71)  
R 141 (B,212,71)  
R 142 (B,212,81)  
R 143 (B,209,81)

RS1/16S331J  
RS1/16S331J  
RS1/16S221J  
RS1/16S221J

**CAPACITORS**

C 141 (B,205,81)

CKSRYB104K16

**I MVR ASSY****MISCELLANEOUS**

VR1201(A,292,75) POTENTIOMETER  
CN1201(A,311,78) CONNECTOR 10P

DCS1089  
52492-1020

**J POWER SUPPLY UNIT**

This assembly has no service part.