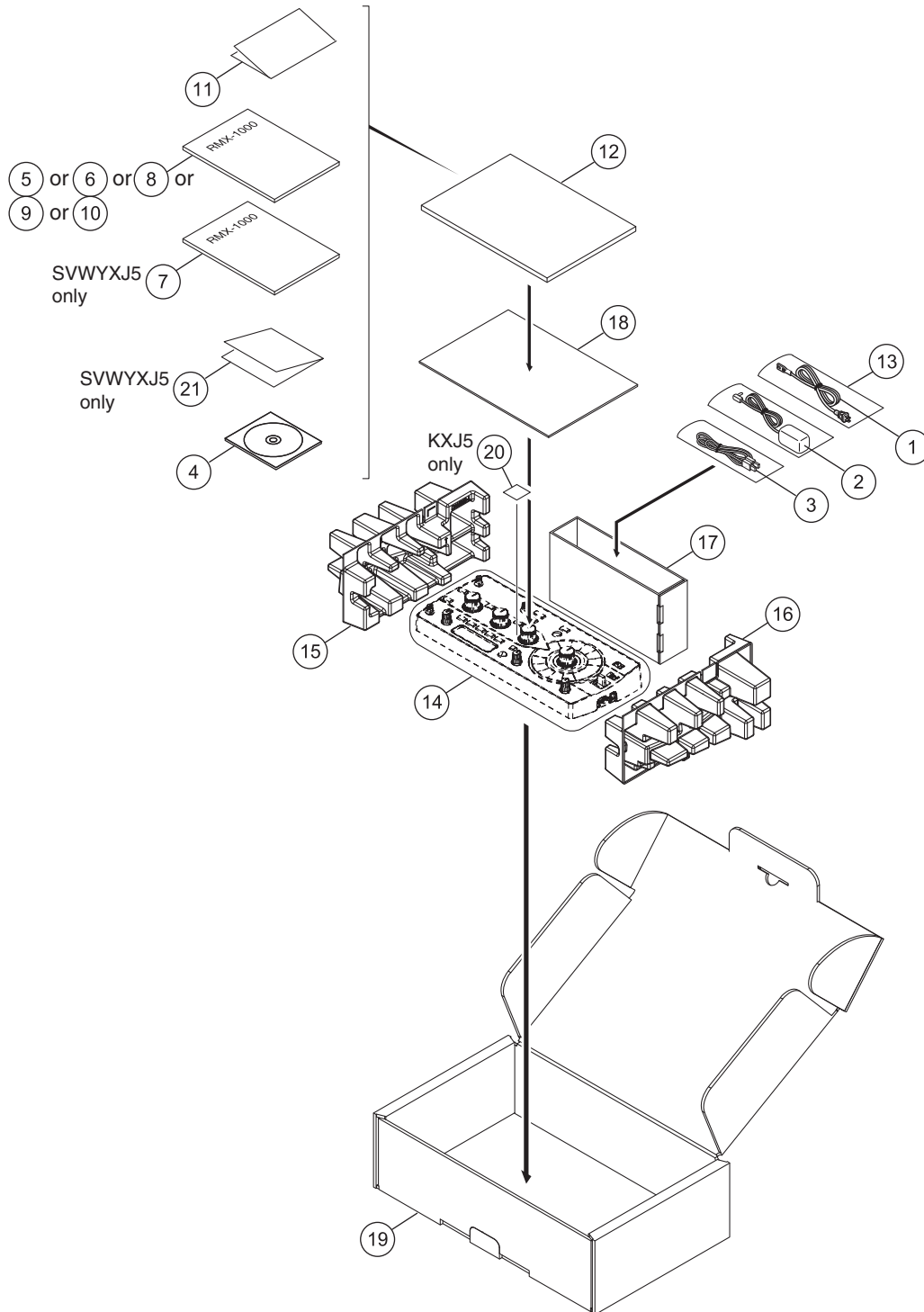


# 9. EXPLODED VIEWS AND PARTS LIST

- NOTES:
- Parts marked by "NSP" are generally unavailable because they are not in our Master Spare Parts List.
  - The  $\triangle$  mark found on some component parts indicates the importance of the safety factor of the part. Therefore, when replacing, be sure to use parts of identical designation.
  - Screws adjacent to  $\nabla$  mark on product are used for disassembly.
  - For the applying amount of lubricants or glue, follow the instructions in this manual. (In the case of no amount instructions, apply as you think it appropriate.)

## 9.1 PACKING SECTION



**(1) PACKING SECTION PARTS LIST**

<b>Mark No.</b>	<b>Description</b>	<b>Part No.</b>
⚠ 1	Power Cord	See Contrast table (2)
⚠ 2	AC Adapter	DWR1525 *
3	USB Cable	DDE1128
4	CD-ROM	DXX2691
5	Operating Instructions	See Contrast table (2)
6	Operating Instructions	See Contrast table (2)
7	Operating Instructions	See Contrast table (2)
8	Operating Instructions	See Contrast table (2)
9	Operating Instructions	See Contrast table (2)
10	Operating Instructions	See Contrast table (2)
NSP 11	Leaflet/VST	DRM1366
NSP 12	Polyethylene Bag	AHG7117
13	Vinyl Bag	Z21-013
14	Packing Sheet	AHG7053
15	Packing Pad	DHA1886
16	Packing Pad	DHA1887
17	Partition/ACC	DHC1080
18	Packing Board/ACC	DHC1081
19	Packing Case	See Contrast table (2)
NSP 20	Label/RCY	See Contrast table (2)
NSP 21	Warranty	See Contrast table (2)

\* The AC adapter for the initial production (approximately 3,000 units in total) will be the DWR1507.

However, because of the problem on safety standards, the DWR1507 must not be used with the RMX-1000/KXJ5 (for Korea).

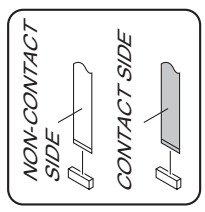
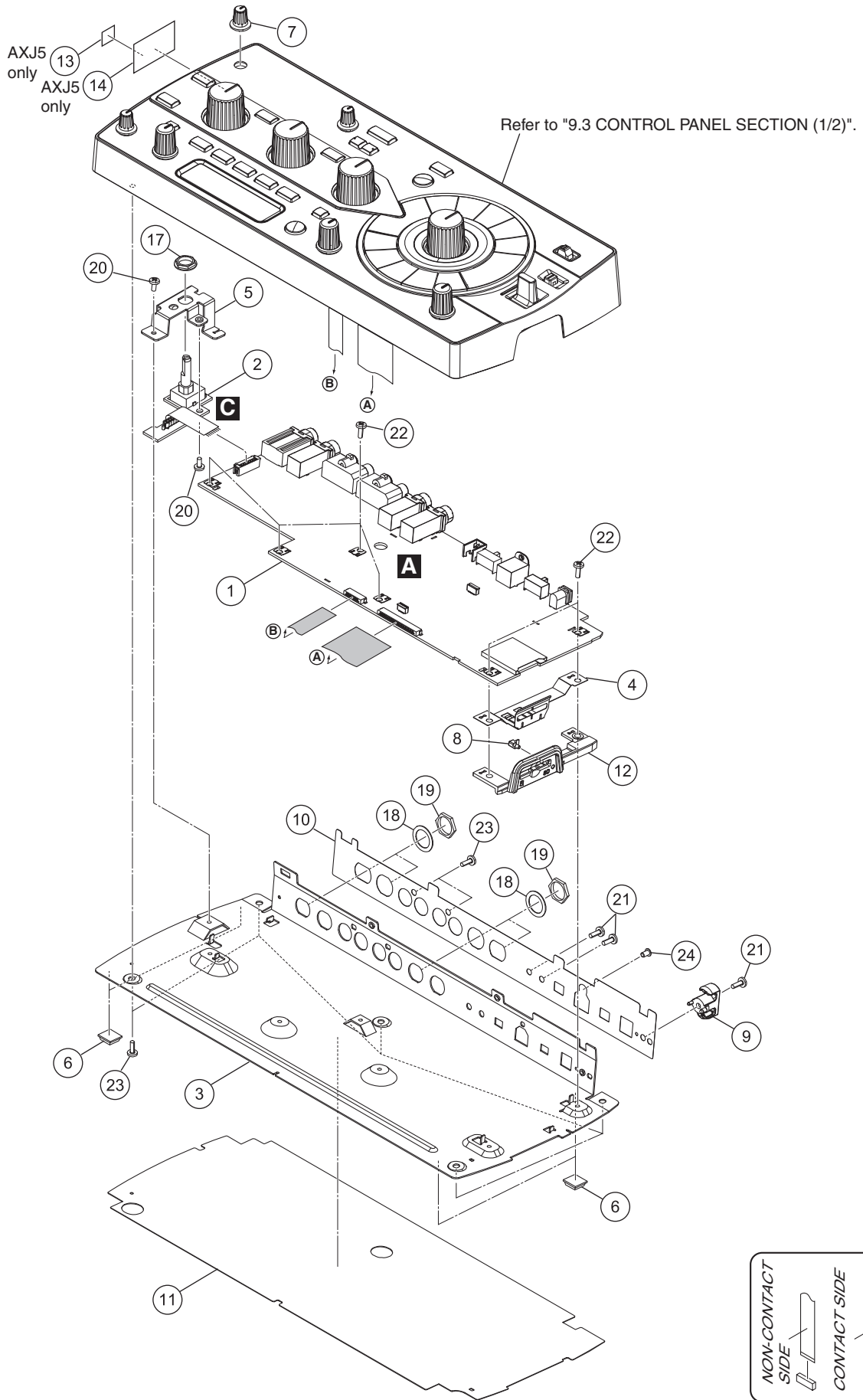
**(2) CONTRAST TABLE**

RMX-1000/UXJCB, SVWYXJ5, FWLWPWXJ, KXJ5 and AXJ5 are constructed the same except for the following:

<b>Mark</b>	<b>No.</b>	<b>Symbol and Description</b>	<b>RMX-1000 /UXJCB</b>	<b>RMX-1000 /SVWYXJ5</b>	<b>RMX-1000 /FWLWPWXJ</b>	<b>RMX-1000 /KXJ5</b>	<b>RMX-1000 /AXJ5</b>
⚠	1	Power Cord	XDG3052	ADG1154	ADG1154	ADG7113	ADG7079
	5	Operating Instructions (En)	DRB1586	Not used	Not used	Not used	Not used
	6	Operating Instructions (En, Fr, De)	Not used	DRB1587	Not used	Not used	Not used
	7	Operating Instructions (It, NI, Es, Ru)	Not used	DRB1588	Not used	Not used	Not used
	8	Operating Instructions (En, Es, Zhtw)	Not used	Not used	DRB1589	Not used	Not used
	9	Operating Instructions (Ko)	Not used	Not used	Not used	DRB1591	Not used
	10	Operating Instructions (En, Zhcn)	Not used	Not used	Not used	Not used	DRB1590
	19	Packing Case	DHG3100	DHG3099	DHG3101	DHG3104	DHG3103
NSP	20	Label/RCY	Not used	Not used	Not used	DRW2487	Not used
NSP	21	Warranty	Not used	ARY7158	Not used	Not used	Not used

# 9.2 CHASSIS SECTION

A  
B  
C  
D  
E  
F



**(1) CHASSIS SECTION PARTS LIST**

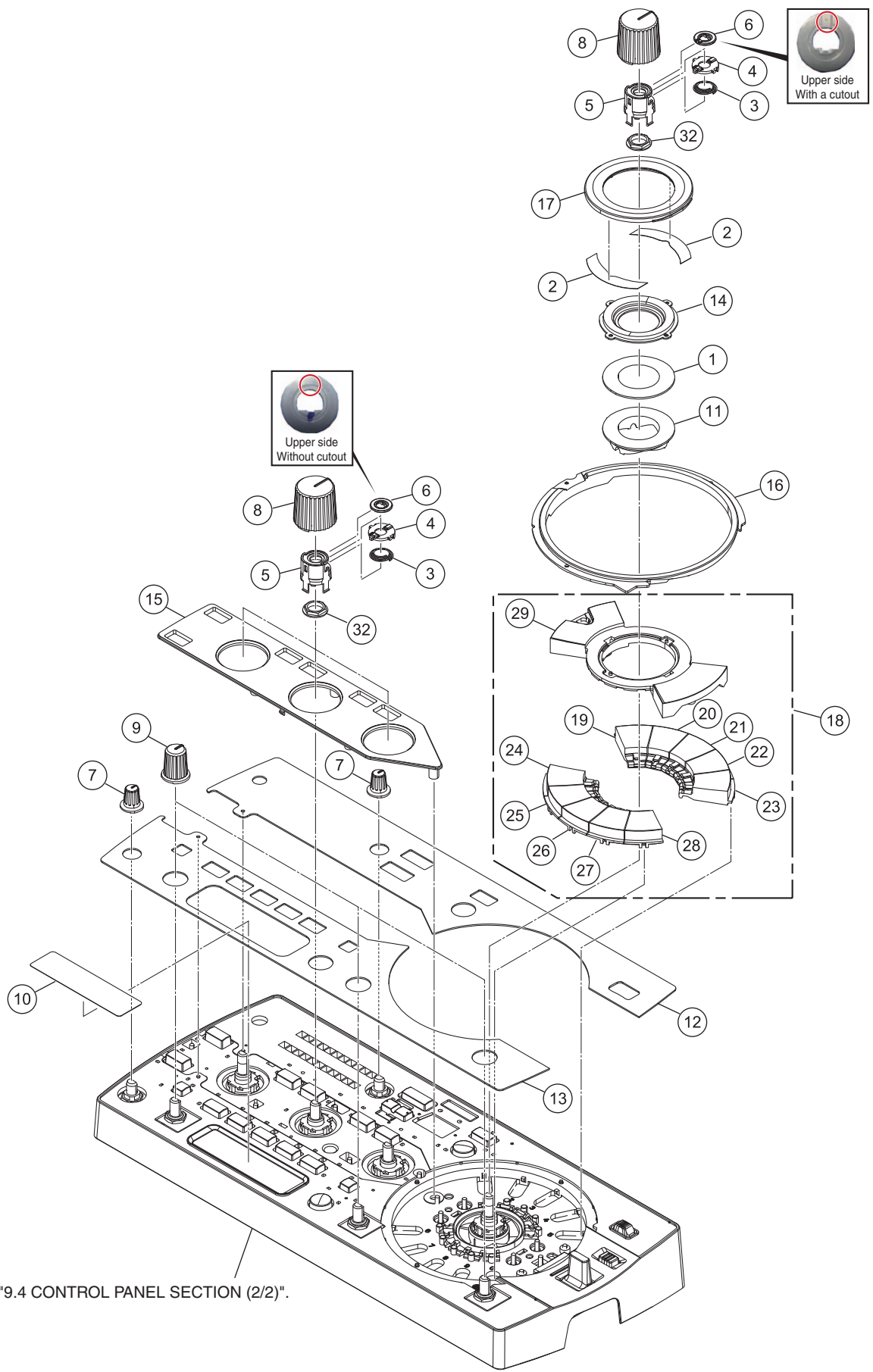
<b>Mark No.</b>	<b>Description</b>	<b>Part No.</b>
	1 MAIN Assy	DWX3315
	2 TRIM Assy	DWX3319
NSP	3 Chassis	DNA1435
	4 Angle/SD	DNF1895
	5 Stay/INP	DNF1896
	6 Rubber Foot	VEB1349
	7 Knob/BLK	DAA1294
	8 Lens/SD	DNK6048
	9 Hook	DNK6067
	10 Rear Panel	DAH2891
NSP	11 Sheet	See Contrast table (2)
	12 Panel/SD	DNK6046
NSP	13 CCC S Label	See Contrast table (2)
NSP	14 Name Label/RMA	See Contrast table (2)
	15 •••••	
	16 •••••	
	17 Flange Nut M9	DBN1008
	18 Washer	DEC2920
	19 Nut (M12)	NKX2FNI
	20 Screw	BBZ30P060FTB
	21 Screw	BBZ30P080FTB
	22 Screw	BBZ30P080FTC
	23 Screw	BPZ30P120FTB
	24 Screw (M3*5)	DBA1340

**(2) CONTRAST TABLE**

RMX-1000/UXJCB, SVWYXJ5, FWLWPWXJ, KXJ5 and AXJ5 are constructed the same except for the following:

<b>Mark</b>	<b>No.</b>	<b>Symbol and Description</b>	<b>RMX-1000 /UXJCB</b>	<b>RMX-1000 /SVWYXJ5</b>	<b>RMX-1000 /FWLWPWXJ</b>	<b>RMX-1000 /KXJ5</b>	<b>RMX-1000 /AXJ5</b>
NSP	11	Sheet	DEC3423	DEC3424	DEC3425	DEC3428	DEC3427
NSP	13	CCC S Label	Not used	Not used	Not used	Not used	DRW2310
NSP	14	Name Label/RMA	Not used	Not used	Not used	Not used	DRW2500

# 9.3 CONTROL PANEL SECTION (1/2)



## CONTROL PANEL SECTION (1/2) PARTS LIST

<u>Mark No.</u>	<u>Description</u>	<u>Part No.</u>	
1	Film/SFX	DEC3429	
2	DS Tape/SFX	DEH1040	A
3	Spring/TRQ	DBH1792	
4	Base/TRQ	DNK6068	
5	Holder/TRQ	DNK6069	
6	Ring/TRQ	DNK6116	
7	Knob/BLK	DAA1294	
8	Knob/ELA	DAA1295	
9	Knob/BLK	DAA1296	
10	Sheet/CDC	DEC3396	
11	Lens/SFX	DNK6026	B
12	Plate/TRE	DAH2872	
13	Plate/TFR	DAH2873	
14	Window/SFX	DAH2875	
15	Panel/SUB	DNK6032	
16	Ring/SFX	DNK6044	
17	Escutcheon/SFX	DNK6047	
18	1..Button Assy/SFX	DXB2132	
NSP 19	2..Button/SF1	DAC2822	
NSP 20	2..Button/SF2	DAC2823	C
NSP 21	2..Button/SF3	DAC2824	
NSP 22	2..Button/SF4	DAC2825	
NSP 23	2..Button/SF5	DAC2826	
NSP 24	2..Button/SF6	DAC2827	
NSP 25	2..Button/SF7	DAC2828	
NSP 26	2..Button/SF8	DAC2829	
NSP 27	2..Button/SF9	DAC2830	
NSP 28	2..Button/SF0	DAC2831	
NSP 29	2..Panel/SFX	DNK6045	D
30	.....		
31	.....		
32	Flange Nut M9	DBN1008	

# 9.4 CONTROL PANEL SECTION (2/2)

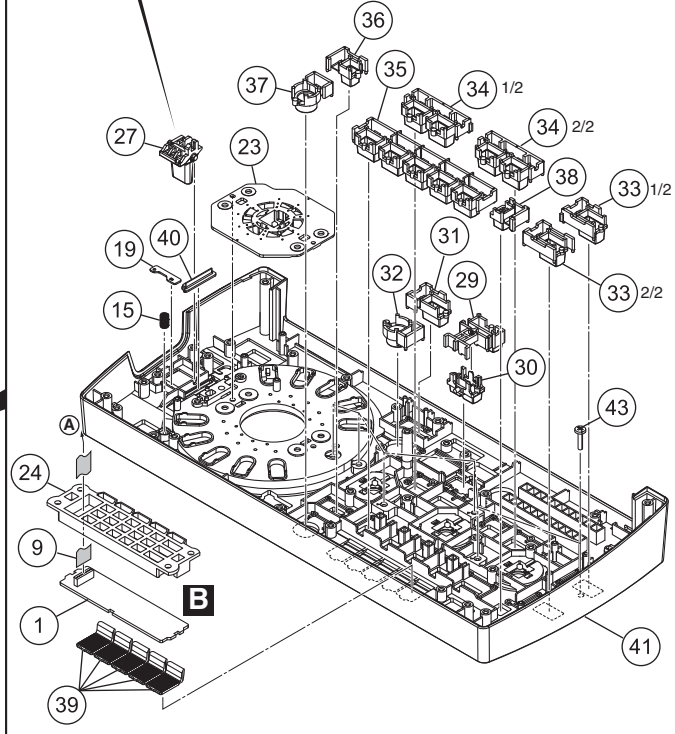
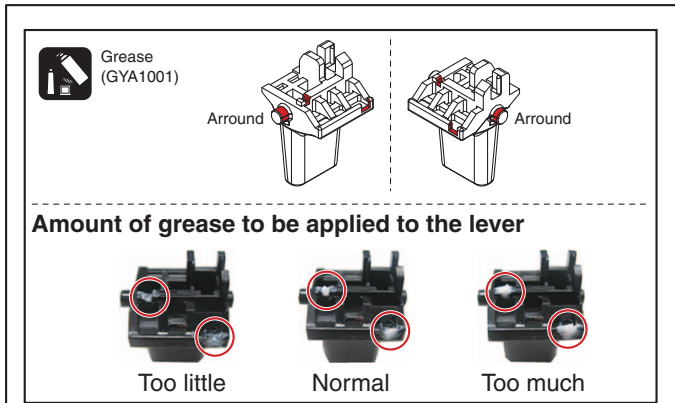
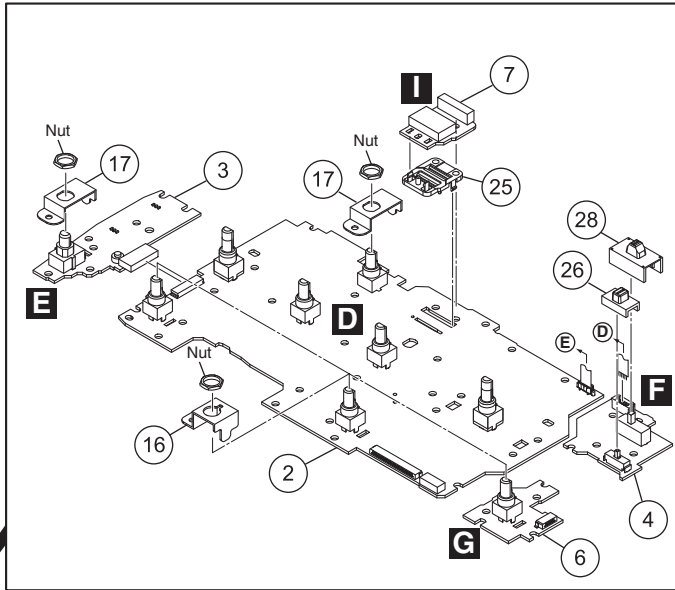
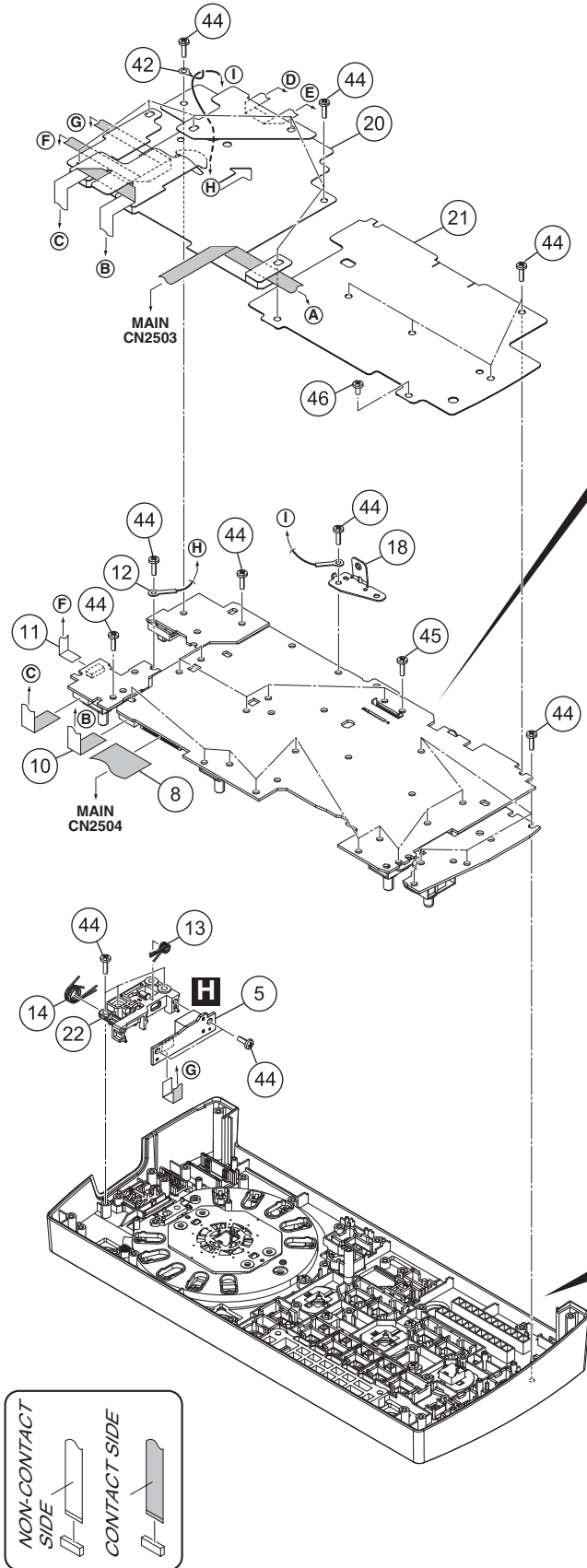
1

2

3

4

A • Bottom view



1

2

3

4

## CONTROL PANEL SECTION (2/2) PARTS LIST

<u>Mark No.</u>	<u>Description</u>	<u>Part No.</u>	
1	CDCB Assy	DWX3316	
2	PNCE Assy	DWX3317	A
3	PNLE Assy	DWX3318	
4	SSWB Assy	DWX3320	
5	SPFX Assy	DWX3321	
6	PARAM Assy	DWX3322	
7	7SEG Assy	DWX3323	
8	FFC/30P	DDD1593	
9	FFC/11P	DDD1594	
10	FFC/10P	DDD1595	
11	FFC/7P	DDD1596	B
NSP 12	Cord With Plug	DE015VE0	
13	Torsion Spring/LVR	DBH1790	
14	Torsion Spring/PRS	DBH1791	
15	Coil Spring/SFX	DBH1796	
16	Angle/VRA	DNF1892	
17	Angle/VRB	DNF1893	
18	Stay/PNL	DNF1897	
19	Cushion	DEB1999	
20	Insulating Sheet	DEC3398	C
21	I-Shield Sheet	DEC3406	
22	Holder/LVR	DNK6025	
23	Reflector	DNK6027	
24	Holder/CDC	DNK6029	
25	Holder/PCB	DNK6049	
26	Cap/MIC	DAC2773	
27	Lever	DAC2804	
28	Cap/SSW	DAC2805	
29	Button/BT	DAC2811	D
30	Button/ADJ	DAC2812	
31	Button/AT	DAC2813	
32	Button/TAP	DAC2814	
33	Button/SLT	DAC2815	
34	Button/ISO	DAC2817	
35	Button/RBN	DAC2819	
36	Button/SDL	DAC2820	
37	Button/HLD	DAC2821	
38	Button/SFT	DAC2867	E
39	Lens/CDC	DNK6028	
40	Lens/LVR	DNK6035	
⚠ 41	Control Panel	DNK6031	
42	Cord Clamper (Steel)	RNH-184	
43	Screw	BPZ30P080FTC	
44	Screw	BPZ30P100FTC	
45	Screw	BPZ30P120FTB	
46	Screw	BBZ30P060FTB	F



# 12. PCB PARTS LIST

NOTES: ● Parts marked by "NSP" are generally unavailable because they are not in our Master Spare Parts List.

● The  $\Delta$  mark found on some component parts indicates the importance of the safety factor of the part. Therefore, when replacing, be sure to use parts of identical designation.

● When ordering resistors, first convert resistance values into code form as shown in the following examples.

Ex.1 When there are 2 effective digits (any digit apart from 0), such as 560 ohm and 47 k ohm (tolerance is shown by J = 5%, and K = 10%).

560  $\Omega$   $\rightarrow$  56  $\times 10^1$   $\rightarrow$  561 ..... RD1/APU  $\begin{matrix} \boxed{5} & \boxed{6} & \boxed{7} \\ \boxed{J} \end{matrix}$

47 k $\Omega$   $\rightarrow$  47  $\times 10^3$   $\rightarrow$  473 ..... RD1/APU  $\begin{matrix} \boxed{4} & \boxed{7} & \boxed{3} \\ \boxed{J} \end{matrix}$

0.5  $\Omega$   $\rightarrow$  R50 ..... RN2H  $\begin{matrix} \boxed{R} & \boxed{5} & \boxed{0} \\ \boxed{K} \end{matrix}$

1  $\Omega$   $\rightarrow$  1R0 ..... RSIP  $\begin{matrix} \boxed{7} & \boxed{R} & \boxed{0} \\ \boxed{K} \end{matrix}$

Ex.2 When there are 3 effective digits (such as in high precision metal film resistors).

5.62 k $\Omega$   $\rightarrow$  562  $\times 10^1$   $\rightarrow$  5621 ..... RN1/4PC  $\begin{matrix} \boxed{5} & \boxed{6} & \boxed{2} & \boxed{1} \\ \boxed{F} \end{matrix}$

● Meaning of the figures and others in the parentheses in the parts list.

Example) IC 301 is on the point (face A, 91 of x-axis, and 111 of y-axis) of the corresponding PC board.

IC 301 (A, 91, 111) IC NJM2068V

Mark No.	Description	Part No.	Mark No.	Description	Part No.
----------	-------------	----------	----------	-------------	----------

## LIST OF ASSEMBLIES

NSP	1..MOTHER ASSY	DWM2453
	2..MAIN ASSY	DWX3315
	2..CDCB ASSY	DWX3316

NSP	1..PANEL ASSY	DWM2454
	2..PNCE ASSY	DWX3317
	2..PNLE ASSY	DWX3318
	2..TRIM ASSY	DWX3319
	2..SSWB ASSY	DWX3320

	2..SPFX ASSY	DWX3321
	2..PARAM ASSY	DWX3322
	2..7SEG ASSY	DWX3323

Q	1011,2502,2510,4002	LTC024EEB
Q	1014,1017	RTQ040P02
Q	1018	RTQ045N03

Q	2509,4001,5004	LTA024EEB
Q	4003,4004,5005,5006	INC2002AC1
Q	5001	LTC024EEB
Q	5002,5014,5015	LSCR523UB
Q	5003	LSAR523UB

Q	5009,5010,5012,5013	INC2002AC1
D	1002	RKZ5.6KG(B2)
D	1003	RSX201L-30
D	1004	DA2J101
D	1005,1010	RB160L-40

D	1007,5002,5003	RB160M-30
D	1013,1015	RB501V-40
D	2505,2507,2511,2513	1SS301
D	2506,2508,2512,2514	1SS300
D	2515,2517	1SS301

D	2516,2518	1SS300
D	2527	SML-A12WT(QRS)
D	4002-4005	1SS302

Mark No.	Description	Part No.
----------	-------------	----------

## A MAIN ASSY SEMICONDUCTORS

	IC 2501	DYW1810
$\Delta$	IC 1001	S-1200B33-M5
$\Delta$	IC 1002	S-1170B33UC-OTS
$\Delta$	IC 1003	BD8152FVM
$\Delta$	IC 1004	R1232D001C

$\Delta$	IC 1005	BD9851EFV
$\Delta$	IC 1006	NJM2888F05
$\Delta$	IC 1007	NJM2878F3-33
$\Delta$	IC 1008	NJM78L15UA
$\Delta$	IC 1010	NJM79L15UA

	IC 2502	R5S72624P144FP
	IC 2503	M12L64164A-5TG2M
	IC 2511	TC7SH04FUS1
	IC 3501,3503	M12L2561616A-5TG2A
	IC 3502	D810K013BZKB400

	IC 4001-4005,5002,5003	NJM4580MD
	IC 4006	NJM4565MD
	IC 4007	PCM1804DB
	IC 5001	AK4382AVT
Q	1002,1003,1006,1007	LSAR523UB

Q	1008,1009,1012,1013	LTC014EEB
Q	1010,1015,1016,2508	LSCR523UB

## MISCELLANEOUS

L	1001 COMMON MODE COIL	ATF7043
L	1002,1006 POWER INDUCTOR	ATH7011
L	1004 SMD SPL INDUCTOR	CTH1527
L	1005 POWER INDUCTOR	ATH7047
L	1007,1008 CHIP COIL	BTH1102

L	1009 CHIP COIL	BTH1103
L	2501-2505 CHIP SOLID INDUCTOR	QTL1013
L	2515 COIL	ATH7064
L	3502 CHIP SOLID INDUCTOR	QTL1013
L	3503,3504 INDUCTOR	CTF1579

F	2501 EMI FILTER	CCG1160
JA	1001 DCIN JACK	DKN1523
JA	2501 USB CONNECTOR	DKN1237
JA	4001,5003 PIN JACK (2P)	AKB7181
JA	4002,5001,5002 MIC JACK	DKN1614

JA	4003 6.5 DIA JACK	DKN1645
KN	2501-2503 WRAPPING TERMINAL	CKF1089
KN	2505 SCREW PLATE	VNE1948
KN	2506,4001 WRAPPING TERMINAL	CKF1089
KN	4002 WRAPPING TERMINAL	CKF1089



Mark	No.	Description	Part No.
A	C	2546-2548,2553-2555	CKSSYB103K16
	C	2549,2595,2607,3558	CCSSCH101J50
	C	2550-2552,2563-2565	CKSSYB102K50
	C	2562,2570-2572	CKSSYB104K10
	C	2566,3566	CCSSCH120J50
	C	2567-2569,2603	CKSSYB103K16
	C	2573-2575,2599,2604	DCH1201
	C	2576	CCSSCH100D50
	C	2577-2579,2601,2608	CKSSYB104K10
B	C	2580,2606,3520,3522	CKSSYB102K50
	C	2581-2584,2589,2593	CKSRYB104K16
	C	2594,4021,4023,4029	CKSRYB104K25
	C	2605,3512,3551	DCH1201
	C	2609,2610,4075,4076	CKSRYB104K16
	C	2611,3501,3502,3508	CKSSYB104K10
	C	3509,3562,3564,3565	CKSSYB104K10
	C	3514-3519,3521,3523	CKSSYB103K16
	C	3524,3527-3529,3531	CKSSYB103K16
C	C	3525,3526,3530,3532	CKSSYB102K50
	C	3533,3535,3537-3539	CKSSYB103K16
	C	3534,3536,3540,3542	CKSSYB102K50
	C	3541,3543,3545,3547	CKSSYB103K16
	C	3544,3546,3548,4064	CKSSYB102K50
	C	3549,3553-3557	CKSSYB103K16
	C	3559-3561,4061,4068	CKSSYB103K16
	C	3567	CCSSCH150J50
	C	4005-4012,4049-4052	CCSRCH101J50
D	C	4015,4016,4025-4028	CEVWNP220M16
	C	4019,4022,5024,5025	CCSRCH220J50
	C	4020,4024,4041,4046	DCH1342
	C	4030,4033,4034	CKSRYB104K25
	C	4031,4032,5020,5021	CEVWNP220M16
	C	4042-4045,5016,5018	CKSRYB104K25
	C	4057,4059,4060,4062	CKSSYB104K10
	C	4058,4063,4066,4071	CEVW100M16
	C	4065,5004	CKSSYB102K50
E	C	4067,4069,4070,4072	CKSSYB104K10
	C	4073,4081,5005,5051	CCSSCH101J50
	C	4074,5002	CKSSYB103K16
	C	4079,4080,5003,5006	CKSSYB104K10
	C	5007	CEVW100M16
	C	5008,5009	CCSRCH272J50
	C	5010,5011	CCSRCH471J50
	C	5012-5015	CCSRCH560J50
	C	5017,5019	DCH1342
F	C	5026,5027	CKSRYB104K25
	C	5030,5031	CEVWNP220M16
	C	5032-5035	CKSRYB223K50
	C	5038-5041	CFHXSQ471J50
	C	5047,5052,5054,5055	CKSSYB104K10
	C	5053	CCSSCH101J50
	IC	6001	AD7147ACPZ500RL7
	D	6009	RKZ3.6KG(B2)
	L	6009	FERRITE CORE

Mark	No.	Description	Part No.
	CN 6001	11P CONNECTOR	VKN1415
<b>RESISTORS</b>			
	All Resistors		RS1/16SS###J
<b>CAPACITORS</b>			
	C	6002	CKSSYB103K16
	C	6003	CKSSYB104K16
	C	6004	DCH1201
	C	6014	CKSRYB104K16

## **C** TRIM ASSY MISCELLANEOUS

J	7401	7P JUMPER WIRE	D20PYY0705E
VR	7401	POTENTIOMETER	DCS1098
JH	7401	7P CABLE HOLDER	51048-0700

## **D** PNCE ASSY SEMICONDUCTORS

IC	7002		DYW1811
IC	7001		S-80927CNMC-G8X
Q	7002		LTA124EUB
Q	7003,7101-7115,7130		LSCR523UB
Q	7116,7118,7120,7122		LTC143EUB
Q	7117,7119,7121,7123		2SB1188
Q	7124,7126,7128		LTC143EUB
Q	7125,7127,7129		2SB1188
Q	7131		LSCR523UB
D	7015,7017-7022		RKZ3.6KG(B2)
D	7101,7116		SLI-343U8R(HJK)
D	7102-7105,7117-7120		SLI-343Y8Y(KLM)
D	7106-7111,7121-7126		SLI-343M8G(GHJ)
D	7113,7115,7128		SML-D12U8W(QR)
D	7132,7133,7136,7146		SML-512MW(PQ)
D	7134,7148,7159,7172		SML-D12Y8W(QR)
D	7135,7149,7160,7173		NHSW046A-0171
D	7147,7157,7158		SML-512MW(PQ)
D	7166-7168,7177,7178		SML-D12U8W(QR)
D	7169-7171,7179,7180		SML312BC4T(QR)
D	7181		NHSW046A-0171
D	7186-7206,7216-7220		DA2J101
D	7207-7210		SML-D12M8W(NP)
D	7221-7223		SML-D12U8W(QR)
D	7224-7226		SML312BC4T(QR)

## **MISCELLANEOUS**

L	7001	CHIP COIL	LCTAW330J2520
J	7001	JUMPER WIRE	D20PYY0410E
VR	7101,7104-7106	ROTARY VR	DCS1104
VR	7102,7103	ROTARY VR	DCS1116
VR	7107	ROTARY VR	DCS1121
S	7101-7124	TACT SWITCH	DSG1079
X	7001	CERAMIC RESONATOR (20 MHz)	DSS1180
CN	7001	30P CONNECTOR	VKN1322
CN	7002	10P SOCKET	KP200IB10L
CN	7003	10P CONNECTOR	VKN1853
CN	7004	B TO B CONNECTOR	DKN1647
JH	7001	4P CABLE HOLDER	51048-0400
VA	7102	VARISTORS	EZJZ1V270RM

## **B** CDCB ASSY SEMICONDUCTORS

IC	6001	AD7147ACPZ500RL7
D	6009	RKZ3.6KG(B2)

## **MISCELLANEOUS**

L	6009	FERRITE CORE	VTF1093
---	------	--------------	---------

**Mark No. Description** **Part No.**

**RESISTORS**

R 7001 RS1/8SQ0R0J  
Other Resistors RS1/10SR###J

**CAPACITORS**

C 7001,7002,7005,7022 CEVW101M16  
C 7003,7007,7009,7010 CKSRYB104K16  
C 7004 CKSRYB222K50  
C 7006 CKSRYB103K50  
C 7008 CKSRYB105K10  
  
C 7011-7020 CKSRYB471K50  
C 7021,7101-7112 CKSRYB104K16  
C 7115-7117,7119,7120 CKSRYB104K16



**PNLE ASSY**

**SEMICONDUCTORS**

D 7301,7305,7309 DA2J101  
D 7302,7306 SML-D12Y8W(QR)

**MISCELLANEOUS**

VR 7301 VARIABLE RESISTOR ACS7026  
S 7301-7303 TACT SWITCH DSG1079  
CN 7301 10P PLUG AKM7034

**RESISTORS**

All Resistors RS1/10SR###J

**CAPACITORS**

C 7301 CKSRYB104K16



**PARAM ASSY**

**SEMICONDUCTORS**

D 7701 DA2J101

**MISCELLANEOUS**

VR 7701 ROTARY VR DCS1117  
S 7701 TACT SWITCH DSG1079  
CN 7701 10P CONNECTOR VKN1853  
CN 7702 7P CONNECTOR VKN1299  
VA 7701 VARISTORS EZJZ1V270RM

**CAPACITORS**

C 7701 CKSRYB104K16



**SSWB ASSY**

**SEMICONDUCTORS**

D 7501-7504 DA2J101

**MISCELLANEOUS**

S 7501 SLIDE SWITCH DSH1066  
S 7502 TACT SWITCH DSG1079  
S 7503 SLIDE SWITCH ASH1037  
CN 7501 4P JUMPER CONNECTOR 52147-0410



**SPFX ASSY**

**SEMICONDUCTORS**

D 7601-7603 SML-D12U8W(QR)

**MISCELLANEOUS**

VR 7601 SLIDE VR DCV1028  
CN 7601 07P CONNECTOR RKN1048

**Mark No. Description** **Part No.**

**RESISTORS**

All Resistors RS1/10SR###J

**I 7SEG ASSY**  
**SEMICONDUCTORS**

D 7801 LB-303VA

**MISCELLANEOUS**

CN 7801 CONNECTOR VKN1363