

9. EXPLODED VIEWS AND PARTS LIST

NOTES: ● Parts marked by "NSP" are generally unavailable because they are not in our Master Spare Parts List.

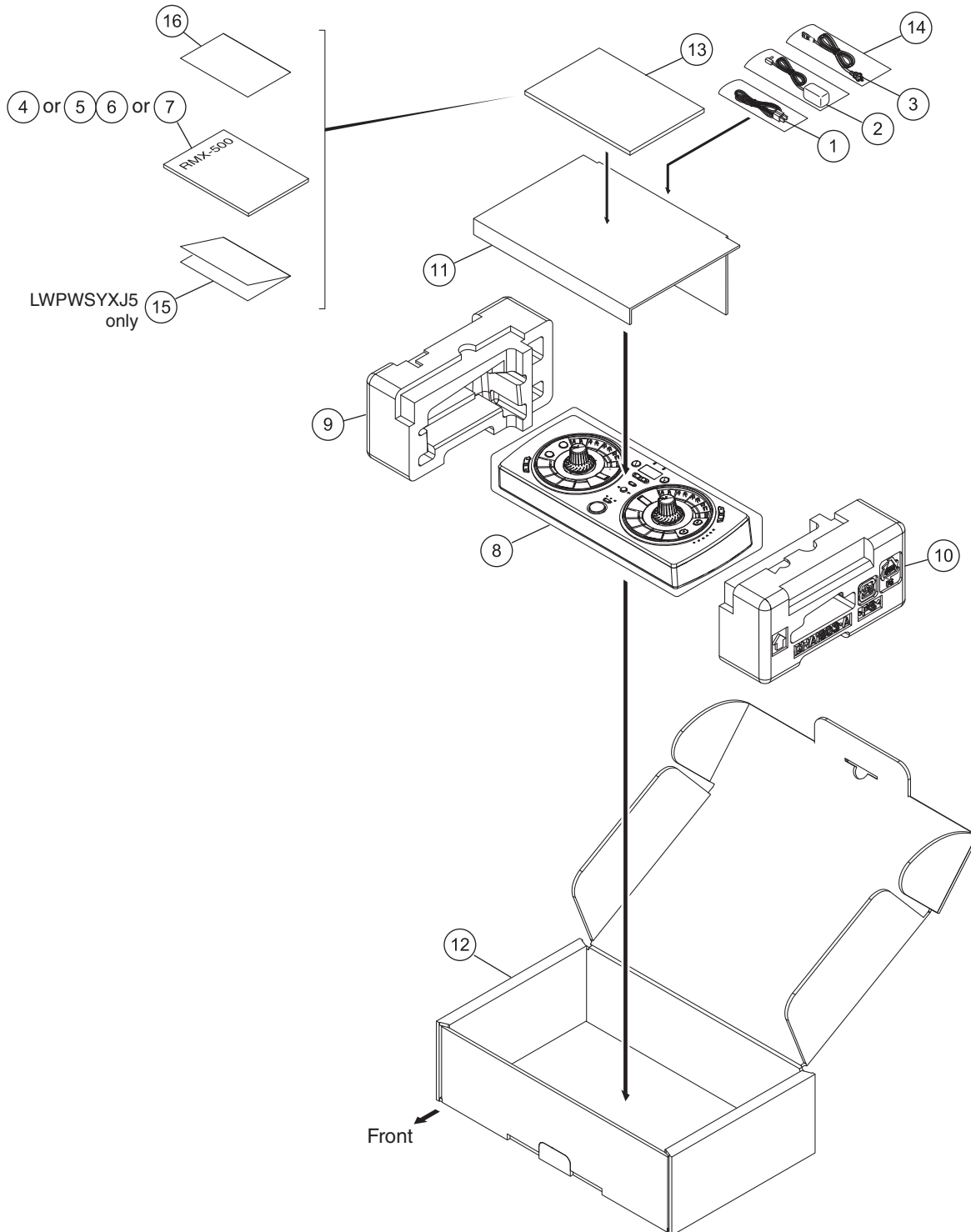
● The \triangle mark found on some component parts indicates the importance of the safety factor of the part. Therefore, when replacing, be sure to use parts of identical designation.

● Screws adjacent to ∇ mark on product are used for disassembly.

● For the applying amount of lubricants or glue, follow the instructions in this manual.

(In the case of no amount instructions, apply as you think it appropriate.)

9.1 PACKING SECTION



(1) PACKING SECTION PARTS LIST

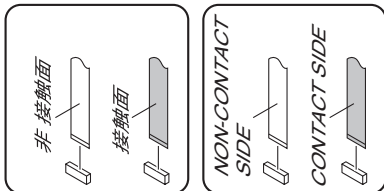
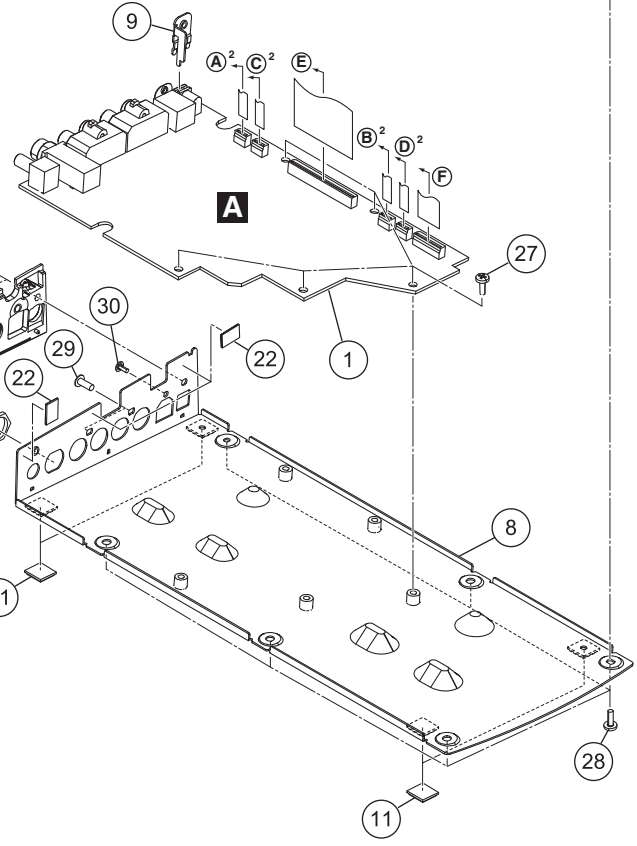
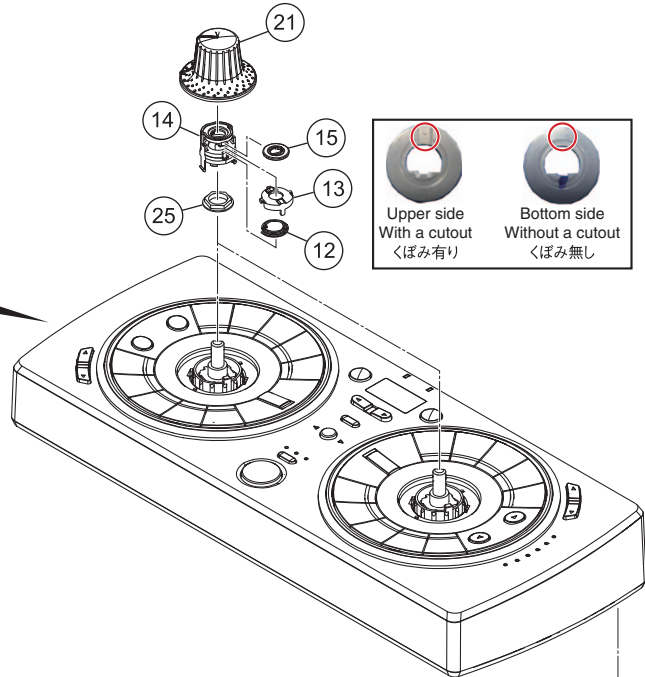
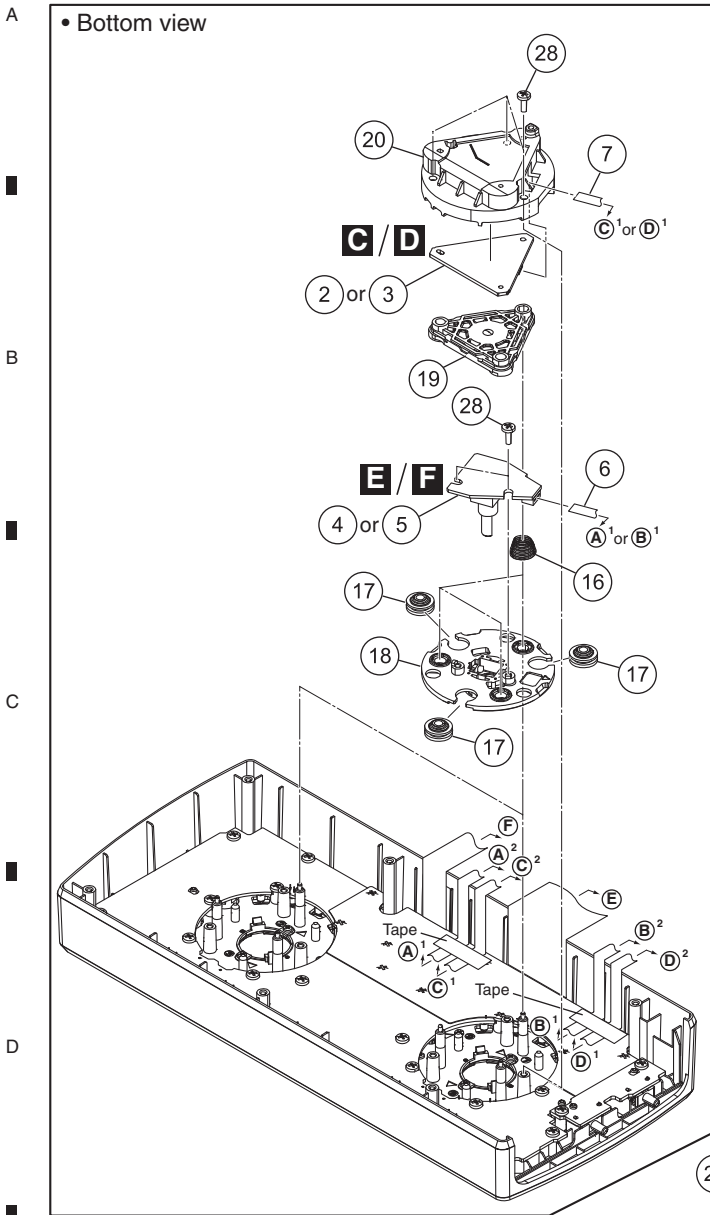
Mark No.	Description	Part No.
	1 USB Cable	DDE1140
⚠	2 AC Adapter	DWR1542
⚠	3 Power Cord	See Contrast table (2)
	4 Operating Instructions (Basic Edition)	See Contrast table (2)
	5 Operating Instructions (Basic Edition)	See Contrast table (2)
	6 Operating Instructions (Basic Edition)	See Contrast table (2)
	7 Operating Instructions (Basic Edition)	See Contrast table (2)
	8 Packing Sheet	AHG7053
	9 Pad/A	DHA1902
	10 Pad/B	DHA1903
	11 Partition/ACC	DHC1083
	12 Packing Case	See Contrast table (2)
NSP	13 Polyethylene Bag	AHG7117
	14 Vinyl Bag	Z21-013
NSP	15 Warranty	See Contrast table (2)
NSP	16 Leaflet	DRM1391

(2) CONTRAST TABLE

RMX-500/UXJCB, LWPWSYXJ5 and AXJ5 are constructed the same except for the following:

Mark	No.	Symbol and Description	RMX-500 /UXJCB	RMX-500 /LWPWSYXJ5	RMX-500 /AXJ5
⚠	3	Power Cord	XDG3052	ADG1154	ADG7079
	4	Operating Instructions (Basic Edition) (En)	DRH1252	Not used	Not used
	5	Operating Instructions (Basic Edition) (En, Fr, De, It)	Not used	DRH1251	Not used
	6	Operating Instructions (Basic Edition) (NI, ES, Pt, Ru)	Not used	DRH1256	Not used
	7	Operating Instructions (Basic Edition) (En, Zhcn)	Not used	Not used	DRH1254
NSP	12	Packing Case	DHG3309	DHG3290	DHG3311
	15	Warranty	Not used	ARY7158	Not used

9.2 CHASSIS SECTION

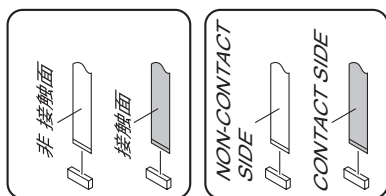
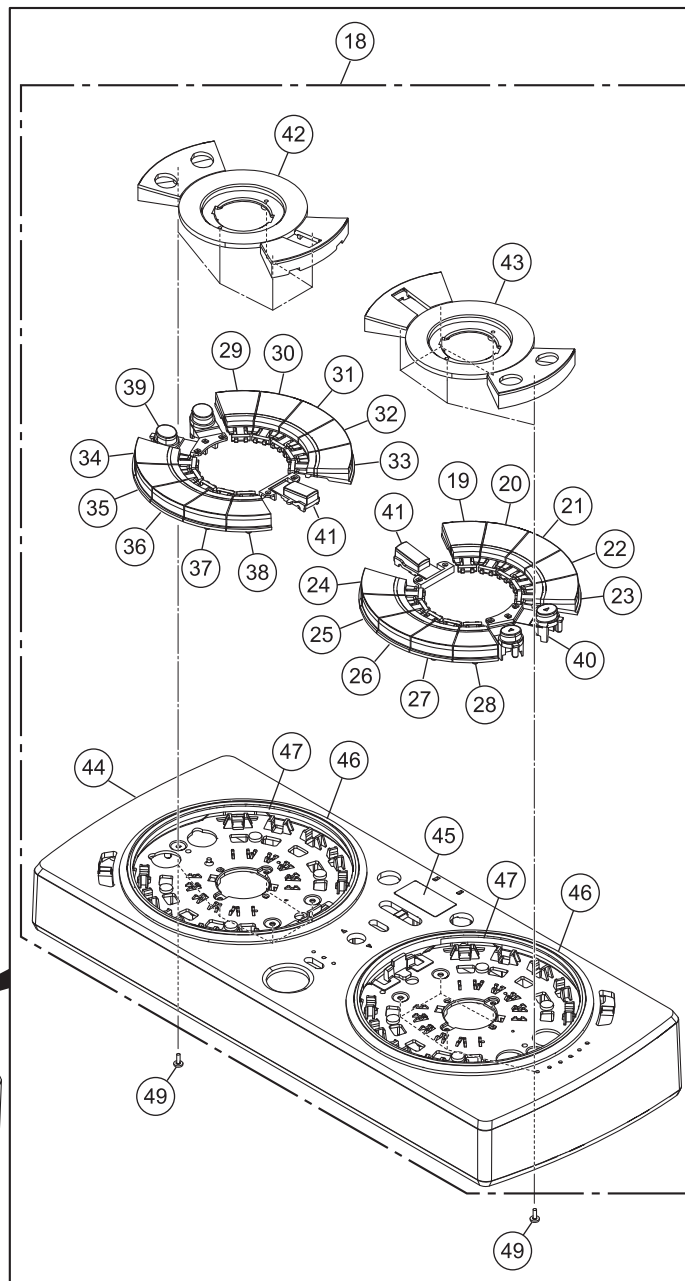
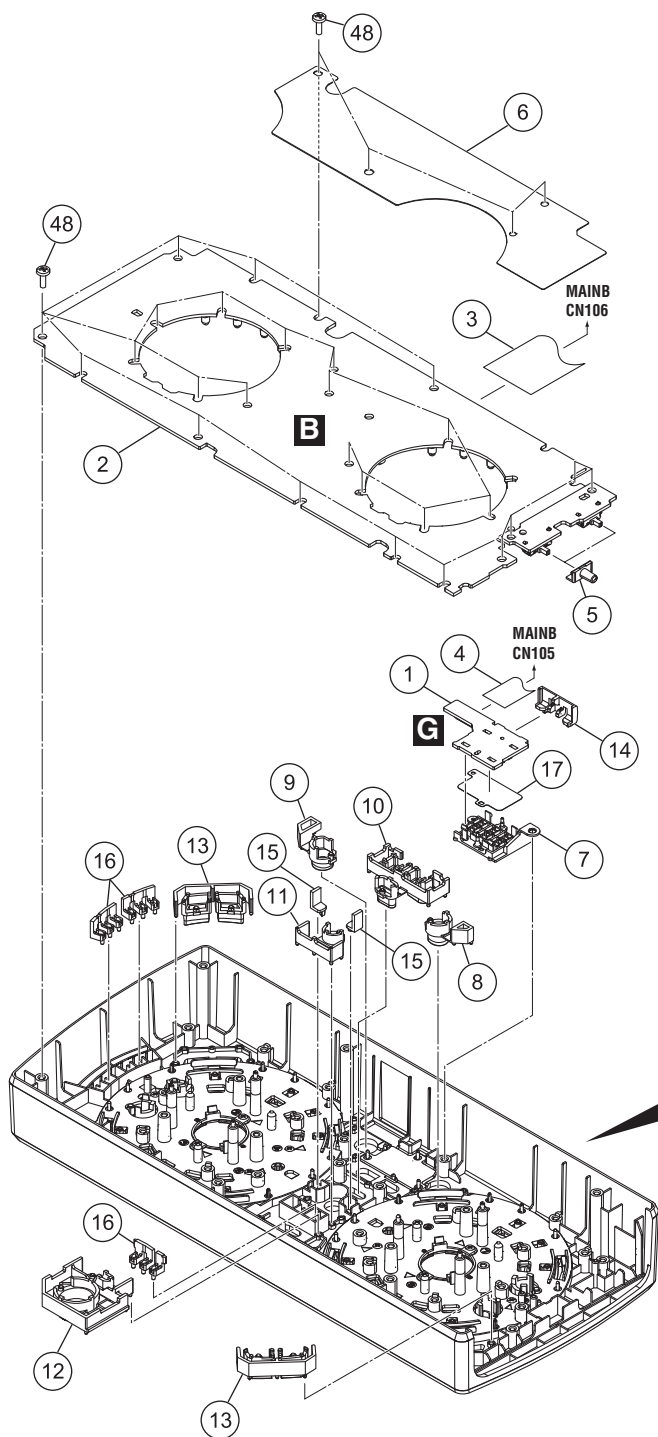


CHASSIS SECTION PARTS LIST

<u>Mark No.</u>	<u>Description</u>	<u>Part No.</u>	
1	MAINB Assy	DWX3484	
2	FRCE1 Assy	DWX3485	A
3	FRCE2 Assy	DWX3486	
4	KNOB1 Assy	DWX3489	
5	KNOB2 Assy	DWX3490	
6	FFC/5P	DDD1667	
7	FFC/4P	DDD1668	
NSP 8	Chassis	DNA1454	
9	Plate/DCJ	DNF1931	
10	Panel/SID	DNK6314	
11	Rubber Foot	VEB1349	B
12	Spring/TRQ	DBH1792	
13	Base/TRQ	DNK6068	
14	Holder/TRQ	DNK6069	
15	Ring/TRQ	DNK6116	
16	Spring	DBH1805	
17	Damper/SI	DEB2008	
18	Plate/DSC	DNK6293	
19	Plate/PSH	DNK6294	
20	Cover/KNB	DNK6295	C
21	Knob/ADV	DAA1325	
22	Cushion 11X7	AED7092	
23	•••••		
24	•••••		
25	Flange Nut M9	DBN1008	
26	Nut (M12)	NKX2FNI	
27	Screw	AMZ30P060FTC	
28	Screw	BPZ30P080FTB	
29	Screw (FE)	DBA1290	D
30	Screw (M3*5)	DBA1340	

9.3 CONTROL PANEL SECTION

• Bottom view



CONTROL PANEL SECTION PARTS LIST

<u>Mark No.</u>	<u>Description</u>	<u>Part No.</u>	
1	7SEG Assy	DWX3487	
2	PANLB Assy	DWX3488	A
3	FFC	ADD7796	
4	FFC/15P	DDD1666	
5	Cap/SSW	DAC3002	
6	Barrier/1	DEC3544	
7	Holder/7SG	DNK6296	
8	Button/AUT	DAC2973	
9	Button/TAP	DAC2974	
10	Button/BPM	DAC2975	
11	Button/SIG	DAC2976	B
12	Button/REL	DAC2977	
13	Button/LEV	DAC2978	
14	Lens/PAK	DNK6298	
15	Lens/SIG	DNK6303	
16	Lens/BAT	DNK6304	
17	Sheet/7SG	DEC3529	
⚠ 18	1..Panel Assy/C1	DXB2144	
19	2..Button/FX1	DAC2953	
20	2..Button/FX2	DAC2954	C
21	2..Button/FX3	DAC2955	
22	2..Button/FX4	DAC2956	
23	2..Button/FX5	DAC2957	
24	2..Button/FX6	DAC2958	
25	2..Button/FX7	DAC2959	
26	2..Button/FX8	DAC2960	
27	2..Button/FX9	DAC2961	
28	2..Button/F10	DAC2962	
29	2..Button/RM1	DAC2963	
30	2..Button/RM2	DAC2964	D
31	2..Button/RM3	DAC2965	
32	2..Button/RM4	DAC2966	
33	2..Button/RM5	DAC2967	
34	2..Button/RM6	DAC2968	
35	2..Button/RM7	DAC2969	
36	2..Button/RM8	DAC2970	
37	2..Button/RM9	DAC2971	
38	2..Button/R10	DAC2972	E
39	2..Button/SEQ	DAC2979	
40	2..Button/BAT	DAC2980	
41	2..Button/ARP	DAC2981	
42	2..Escutcheon/FX	DNK6301	
43	2..Escutcheon/RTM	DNK6302	
NSP 44	2..Control Panel	DNK6292	
NSP 45	2..Window	DNK6297	
NSP 46	2..Ring/SPN	DNK6299	
NSP 47	2..Lens/RNG	DNK6300	F
48	Screw	BPZ30P080FTB	
49	Screw	BPZ20P050FTC	

Mark	No.	Description	Part No.	Mark	No.	Description	Part No.
	CN 102,104	5P CONNECTOR	VKN1820	R	803,804,880,881		RS1/10SR1000D
	CN 105	15P CONNECTOR	VKN1246	R	805,806		RS1/10SR2201D
	CN 106	39P CONNECTOR	VKN2097	R	808,809		RS1/10SR4302D
	0	PHONE SHIELD	DNF1875	R	810,811		RS1/10SR8202D
A	⚠ P 101	PROTECTOR (1.000 A)	DEK1097	R	813,814,817,818		RS1/10SR2200D
	⚠ P 102	PROTECTOR (1.750 A)	DEK1100	R	823,842,843,911		RS1/10SR103J
	VA 112,113,802,803	VARISTORS	EZJZ1V270RM	R	828,829		RS1/10SR683J
	VA 805-811	VARISTORS	EZJZ1V270RM	R	832,833		RS1/10SR1501D
				R	834,835		RS1/10SR4301D
				R	844,862		RS1/10SR9101D

RESISTORS

	R 111,114,120,123		RS1/10SR101J				
	R 116		RS1/16SS6802D	R	845,863		RS1/10SR1201D
	R 119,159,221,223		RS1/4SA0R0J	R	846,847		RS1/10SR3601D
	R 122,138,141,144		RS1/10SR0R0J	R	850,851		RS1/10SR1602D
B	R 126,129,132,135		RS1/10SR101J	R	854,855		RS1/10SR1001D
				R	858,859		RS1/10SR5601D
	R 131,134,137		RS1/4SA560J				
	R 142,240,636		RS1/10SR101J	R	861		RS1/10SR472J
	R 143,206,239		RS1/10SR221J	R	864,865		RS1/10SR1003D
	R 148,234,827		RS1/10SR104J	R	866,869,872,873		RS1/8SQ202J
	R 151,160,165,166		RS1/10SR103J	R	867,868,870,871		RS1/10SR223J
				R	874,875		RS1/10SR272J
	R 152-155		RS1/4SA270J				
	R 162,184,231,860		RS1/10SR472J	R	909		RS1/10SR0R0J
	R 163,172,601,602		RS1/10SR0R0J	R	912,915		RS1/10SR103J
	R 164,852,853		RS1/10SR4702D	R	922,923		RS1/8SQ202J
	R 168,182		RS1/10SR1802D		Other Resistors		RS1/16SS###J

CAPACITORS

	R 170,178		RS1/10SR1803D				
	R 174,179,856,857		RS1/10SR1502D	C	102,107		CFTLA474J50
	R 175,191,821,824		RS1/10SR1002D	C	103,106,141,179		CKSRYB103K50
	R 176,186		RS1/10SR3002D	C	105,131,146,147		DCH1201
	R 177,189		RS1/10SR6802D	C	108,111,115-117		CKSRYB102K50
				C	118-121,123,124		CKSRYB104K50
	R 183,185,807,812		RS1/10SR100J				
	R 187,435,687		RS1/10SR105J	C	122,138,148,150		CKSSYB104K10
	R 188,848,849		RS1/10SR6201D	C	126,136,142,143		CKSRYB104K16
	R 190,227		RS1/4SA220J	C	127,129,135,149		CKSRYB105K10
	R 193		RS1/10SR1203D	C	130		CKSSYB332K50
				C	132,165		CGSSCH181J50
	R 195		RS1/10SR2202D				
D	R 200		RS1/16SS3901D	C	133,167,853,855		CKSRYB104K50
	R 201		RS1/16SS1500F	C	134,169,184,189		CGG1236
	R 202		RS1/16SS1002D	C	137,209		CFHXSQ103J16
	R 203,209		RS1/10SR153J	C	139,156,672		CGSSCH221J50
				C	145		CGSSCH390J50
	R 207,212,219		RS1/10SR222J				
	R 208,210,211,218		RS1/10SR103J	C	151,160,182,183		DCH1201
	R 217,229		RS1/10SR102J	C	152,157,159,161		CKSRYB105K10
	R 230		RS1/10SR473J	C	162		CKSQYB225K16
	R 232,233,237,822		RS1/10SR103J	C	163,450,824		CKSRYB105K10
				C	166		CKSSYB682K25
	R 238		RS1/10SR122J				
E	R 242-245		RS1/4SA0R0J	C	170,171,191		CEVW470M25
	R 251		RS1/16SS1201D	C	180,181		CKSRYB223K50
	R 252		RS1/16SS4702D	C	185,200,810,867		CKSRYB103K50
	R 402-405,498		RAB4CQ101J	C	186,188,193,201		CKSRYB104K16
				C	190,205,863		CEVW101M16
	R 444		RAB4CQ473J				
	R 603-610		RAB4CQ221J	C	194,195,199,206		CKSQYB105K25
	R 611-615,619,621		RAB4CQ560J	C	196,198		CGSSCH102J50
	R 620,643,644		RAB4CQ470J	C	202,859		CKSRYB102K50
	R 622,624-628,631		RAB4CQ560J	C	203,208,671,814		CKSRYB104K16
				C	204		CGG1236
	R 623,685,691,898		RS1/10SR0R0J				
	R 629,635		RS1/10SR560J	C	207		CKSQYB105K25
F	R 632,640-642,645		RAB4CQ560J	C	216,412-423		CKSSYB103K16
	R 646		RAB4CQ560J	C	401,402,407-409		CKSSYB104K10
	R 649-652,682,683		RAB4CQ330J	C	403,404,603,604		CEVW470M6R3
				C	410,411,610,611		CGSSCH471J50

Mark	No.	Description	Part No.
	C	424,434,438,439	CKSSYB104K10
	C	425-432,437,449	CKSSYB103K16
	C	433,658	CCSSCH101J50
	C	435,436,620,622	CKSSYB102K50
	C	441,669,670	CCSSCH120J50
	C	442,444,612,651	DCH1201
	C	445	CKSSYB222K50
	C	446,461,468,601	CKSSYB104K10
	C	447	CCSSCH100D50
	C	453-456,465-467	CKSSYB103K16
	C	602,608,609,662	CKSSYB104K10
	C	614-619,621,623	CKSSYB103K16
	C	624,627-629,631	CKSSYB103K16
	C	625,626,630,632	CKSSYB102K50
	C	633,635,637-639	CKSSYB103K16
	C	634,636,640,642	CKSSYB102K50
	C	641,643,645,647	CKSSYB103K16
	C	644,646,648	CKSSYB102K50
	C	649,653-657	CKSSYB103K16
	C	659-661,663,803	CKSSYB103K16
	C	664,667,668,673	CKSSYB104K10
	C	804,805,807,808	CCSRCH101J50
	C	806,854	CKSSYB103K16
	C	809,852	CEVW100M16
	C	811,815,817,841	CEVW470M6R3
	C	812,813,820,821	CEVW220M16
	C	816,843,862,866	CKSRYP104K16
	C	818,819	DCH1165
	C	822,823	CCSRCH470J50
	C	826	DCH1201
	C	827,838-840,842	CEVW220M16
	C	828,829,832,835	CCSRCH220J50
	C	833,837	CEVW101M25
	C	846,868,871,874	CCSRCH102J50
	C	847,848	CEVW471M10
	C	856,857	CFHXSQ471J50
	C	858	CKSRYP104K50
	C	869,873,875	CKSRYP104K16
	C	870,881,885,889	CKSRYP103K50
	C	876-880,882,884	CCSRCH102J50
	C	883	CCH1961
	C	886,894-897,899	CCSRCH102J50
	C	890-893,898	CKSRYP104K16
	C	900	CCSRCH102J50
	C	901,902	CCG1255
B	PANLB ASSY		
	SEMICONDUCTORS		
	Q	5501,5503,5505,5507	RN4982
	Q	5502,5504,5506,5508	2SC4154-11
	Q	5509,5511,5525,5527	RN4982
	Q	5510,5512,5526,5528	2SC4154-11
	Q	5513,5519,5552,5553	LTC123JUB
	Q	5515-5518,5532,5543	LTC124EUB
	Q	5521-5524,5533,5534	LSAR523UB
	Q	5531	LSCR523UB
	Q	5535,5537,5539,5541	RN1903
	Q	5536,5538,5540	LSAR523UB

Mark	No.	Description	Part No.
	Q	5542,5544,5545,5547	LTA143EUB
	Q	5546,5549-5551	LTC124EUB
	Q	5548	LTA143EUB
	Q	5554,5555	LTA124EUB
	D	5174-5181,5183	DAN202UM
	D	5182,5184,5194	DA2J101
	D	5185-5190,5192,5193	DAN202UM
	D	5501-5507,5510-5514	SLI-343U8R(HJK)
	D	5508,5515-5518	SLR343BD2T(NP)
	D	5509,5526	SLI-343M8G(GHJ)
	D	5519,5521-5524	SLI-343Y8Y(KLM)
	D	5520,5525,5527,5533	SLI-343U8R(HJK)
	D	5528-5530,5532,5534	SLI-343Y8Y(KLM)
	D	5535-5542	SLR343WBC7T(MN)
	D	5543	SLI-343U8R(HJK)
	D	5544,5556	SLI-343Y8Y(KLM)
	D	5557-5559	DA2J101
	D	5560	DAN202UM
	MISCELLANEOUS		
	L	5001 RAD SPL INDUCTOR	DTH1212
	S	5001-5038 TACT SWITCH	DSG1079
	S	5039 SLIDE SWITCH	VSH1020
	S	5040 SLIDE SWITCH	ASH1027
	CN	5001 39P CONNECTOR	VKN2098
	RESISTORS		
	R	5008,5012,5635,5636	RS1/4SA0R0J
	R	5638,5662,5673,5674	RS1/4SA0R0J
	R	5686,5687,5689-5692	RS1/4SA0R0J
	R	5698,5701,5702,5704	RS1/4SA0R0J
	R	5705,5707,5710,5712	RS1/4SA0R0J
	Other Resistors		
			RS1/10SR###J
	CAPACITORS		
	C	5002	CEJQ101M16
	C	5003,5004	CKSRYP104K16
	C FRCE1 ASSY		
	SEMICONDUCTORS		
	IC	1001,1002	NJM12904V
	MISCELLANEOUS		
	L	1001-1003 SMD FERRITE BEADS	CTF1823
	CN	1001 04P CONNECTOR	RKN1045
	SN	1001 SENSOR	DSX1088
	RESISTORS		
	R	1003-1005	RS1/10SR3302D
	R	1006,1007,1010	RS1/10SR1002D
	R	1008,1012	RS1/10SR2202D
	R	1009	RS1/10SR3902D
	Other Resistors		
			RS1/10SR###J
	CAPACITORS		
	C	1001	CKSSYB104K10
	C	1002,1003	CKSRYP104K16
	C	1004	DCH1201
	D FRCE2 ASSY		
	SEMICONDUCTORS		
	IC	2001,2002	NJM12904V

Mark	No.	Description	Part No.
------	-----	-------------	----------

MISCELLANEOUS

A

L	2001-2003 SMD FERRITE BEADS	CTF1823
CN	2001 04P CONNECTOR	RKN1045
SN	2001 SENSOR	DSX1088

RESISTORS

R	2003-2005	RS1/10SR3302D
R	2006,2007,2010	RS1/10SR1002D
R	2008,2012	RS1/10SR2202D
R	2009	RS1/10SR3902D
	Other Resistors	RS1/10SR###J

CAPACITORS

B

C	2001	CKSSYB104K10
C	2002,2003	CKSRYB104K16
C	2004	DCH1201

E KNOB1 ASSY**MISCELLANEOUS**

VR	6001 ROTARY VR	DCS1104
CN	6001 5P CONNECTOR	VKN1265

RESISTORS

	All Resistors	RS1/10SR###J
--	---------------	--------------

C

CAPACITORS

C	6001	CKSRYB104K16
---	------	--------------

F KNOB2 ASSY**MISCELLANEOUS**

VR	7001 ROTARY VR	DCS1104
CN	7001 5P CONNECTOR	VKN1265

RESISTORS

	All Resistors	RS1/10SR###J
--	---------------	--------------

D

CAPACITORS

C	7001	CKSRYB104K16
---	------	--------------

G 7SEG ASSY**SEMICONDUCTORS**

D	3001-3004,3006-3008	SML-D12U8W(QR)
D	3009,3032	SML-D12M8W(NP)
D	3011,3022	SML-D12V8W(PQ)
D	3012-3018,3020	SML-D12U8W(QR)
D	3024-3031	SML-D12U8W(QR)

E

MISCELLANEOUS

CN	3001 15P CONNECTOR	VKN1307
----	--------------------	---------

RESISTORS

	All Resistors	RS1/10SR###J
--	---------------	--------------

F