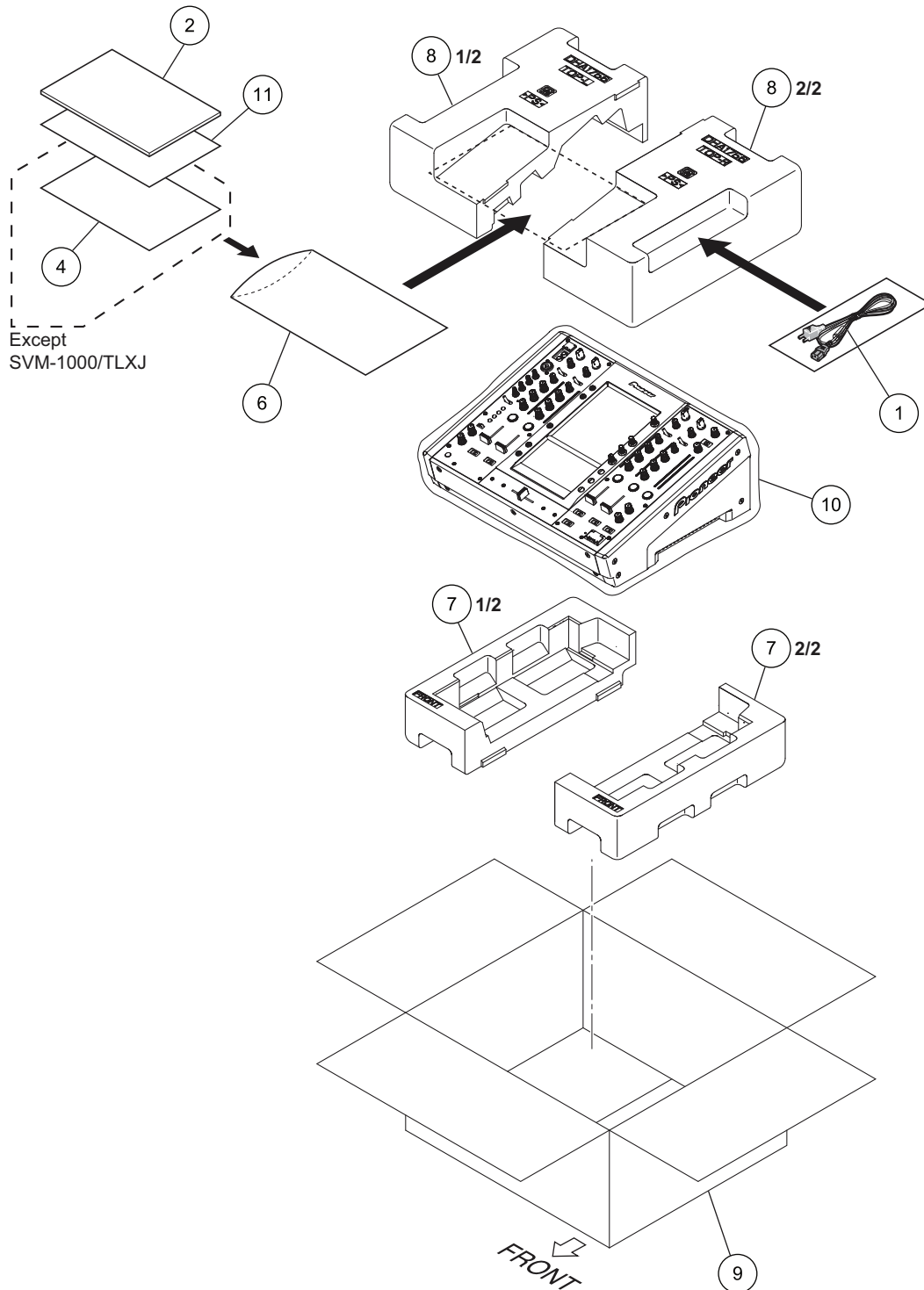


9. EXPLODED VIEWS AND PARTS LIST

- NOTES:
- Parts marked by "NSP" are generally unavailable because they are not in our Master Spare Parts List.
 - The \triangle mark found on some component parts indicates the importance of the safety factor of the part. Therefore, when replacing, be sure to use parts of identical designation.
 - Screws adjacent to \blacktriangledown mark on product are used for disassembly.
 - For the applying amount of lubricants or glue, follow the instructions in this manual. (In the case of no amount instructions, apply as you think it appropriate.)

9.1 PACKING SECTION



(1) PACKING SECTION PARTS LIST

Mark No.	Description	Part No.
⚠	1 AC Power Cord	See Contrast table (2)
	2 Operating Instructions	See Contrast table (2)
	3 •••••	
NSP	4 Warranty Card	See Contrast table (2)
	5 •••••	
NSP	6 Polyethylene Bag (0.06 x 230 x 340)	AHG7117
	7 Bottom Pad	DHA1754
	8 Top Pad	DHA1756
	9 Packing Case	See Contrast table (2)
	10 Mirror Mat (1200 x 1000)	DHL1169
NSP	11 Caution Sheet	DRM1305

(2) CONTRAST TABLE

SVM-1000/KUCXJ, WYXJ5 and TLXJ are constructed the same except for the following:

Mark	No.	Symbol and Description	SVM-1000 /KUCXJ	SVM-1000 /WYXJ5	SVM-1000 /TLXJ
⚠	1	AC Power Cord	DDG1028	ADG7062	ADG7062
	2	Operating Instructions (English)	DRB1421	Not used	Not used
	2	Operating Instructions (English, French, German, Italian, Dutch, Spanish, Russian)	Not used	DRB1422	Not used
	2	Operating Instructions (English, Spanish, Chinese)	Not used	Not used	DRB1423
	4	Warranty Card	ARY7043	ARY7107	Not used
NSP	9	Packing Case	DHG2719	DHG2718	DHG2720

9.2 EXTERIOR SECTION

A

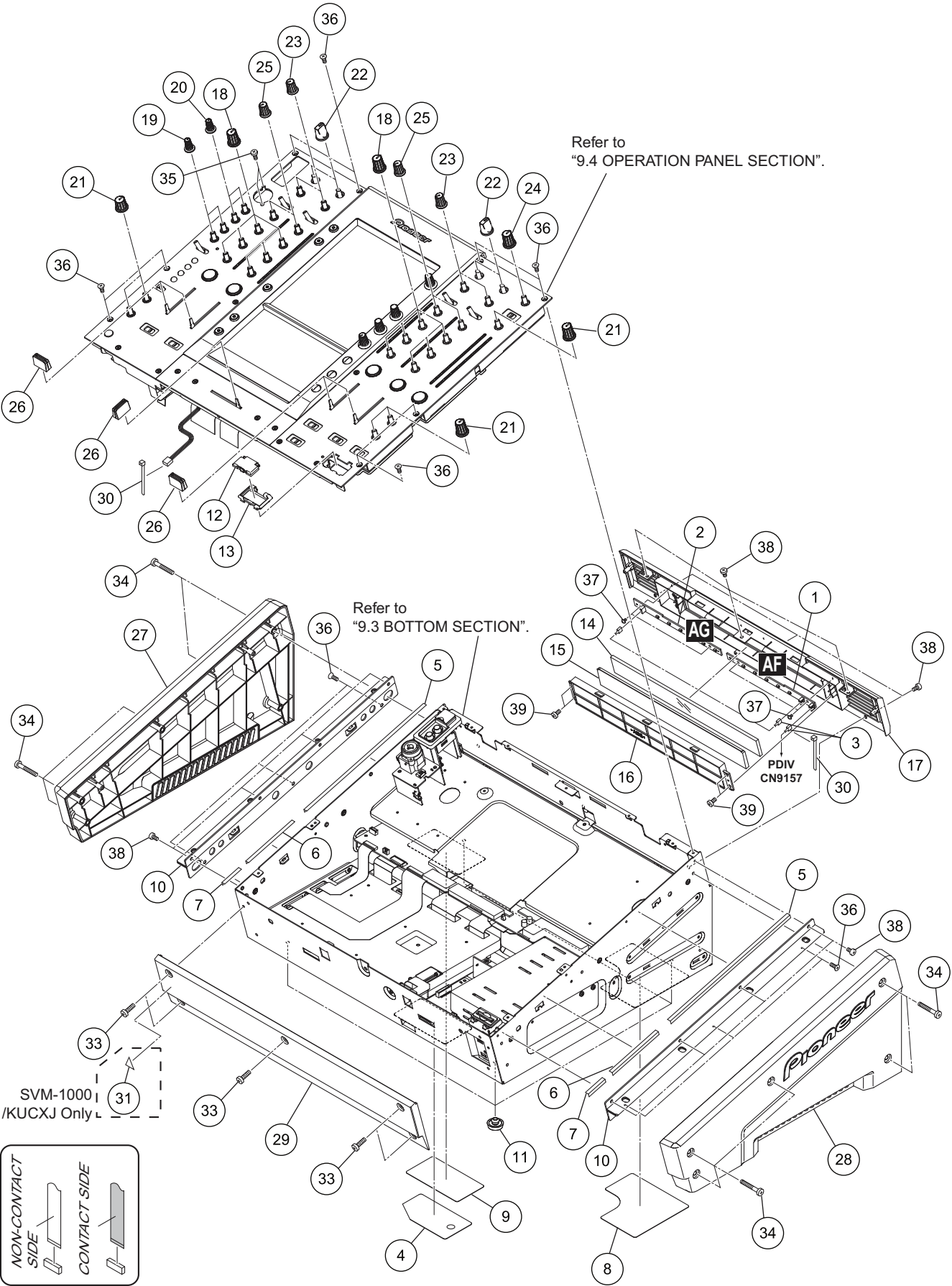
B

C

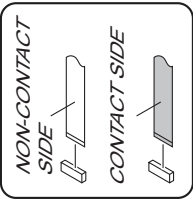
D

E

F



SVM-1000
/KUCXJ Only



(1) EXTERIOR SECTION PARTS LIST

<u>Mark No.</u>	<u>Description</u>	<u>Part No.</u>	<u>Mark No.</u>	<u>Description</u>	<u>Part No.</u>
1	ILMR Assy	DWX2722	21	Rotary SW Knob (MA)	DAA1198
2	ILML Assy	DWX2723	22	SELECT Knob	DAA1209
3	Connector Assy	PF02EE-D32	23	Rotary SW Knob VT	DAA1215
4	Bottom Sheet	DEC3023	24	Rotary SW Knob MAV	DAA1218
5	Tape L	DEC3024	25	Rotary SW Knob AT	DAA1221
6	Tape M	DEC3025	26	Slider Knob	DAC2388
7	Tape S	DEC3026	27	Side Panel - L	DNK4889
8	Bottom Sheet R	DEC3035	28	Side Panel - R	DNK4890
9	Bottom Sheet L	DEC3036	29	Front Panel	DNK4891
10	Rack Mount Bracket	DNH2790	30	Binder (SKB-90BK)	ZCA-SKB90BK
11	Leg Assy	REC-434	NSP 31	Caution Label	See Contrast table (2)
12	Card Door	DNK4886	32	•••••	
13	SD Frame	DNK4887	33	Screw C4 x 17	DBA1334
14	Logo Plate	DAH2493	34	Screw C4 x 29	DBA1335
15	Diffusion Plate	DAH2494	35	Screw	BPZ30P120FTB
16	Reflector	DNK4844	36	Screw	CCZ30P060FTB
17	Rear Cover	DNK4845	37	Screw	IPZ20P060FTC
18	Rotary SW Knob (B)	DAA1176	38	Screw	BBZ30P060FTB
19	Rotary SW Knob S (A)	DAA1177	39	Screw	BPZ30P080FTB
20	Rotary SW Knob S (B)	DAA1178			

(2) CONTRAST TABLE

SVM-1000/KUCXJ, WYXJ5 and TLXJ are constructed the same except for the following:

Mark	No.	Symbol and Description	SVM-1000 /KUCXJ	SVM-1000 /WYXJ5	SVM-1000 /TLXJ
NSP	31	Caution Label	DRW1975	Not used	Not used

9.3 BOTTOM SECTION

1

2

3

4

A

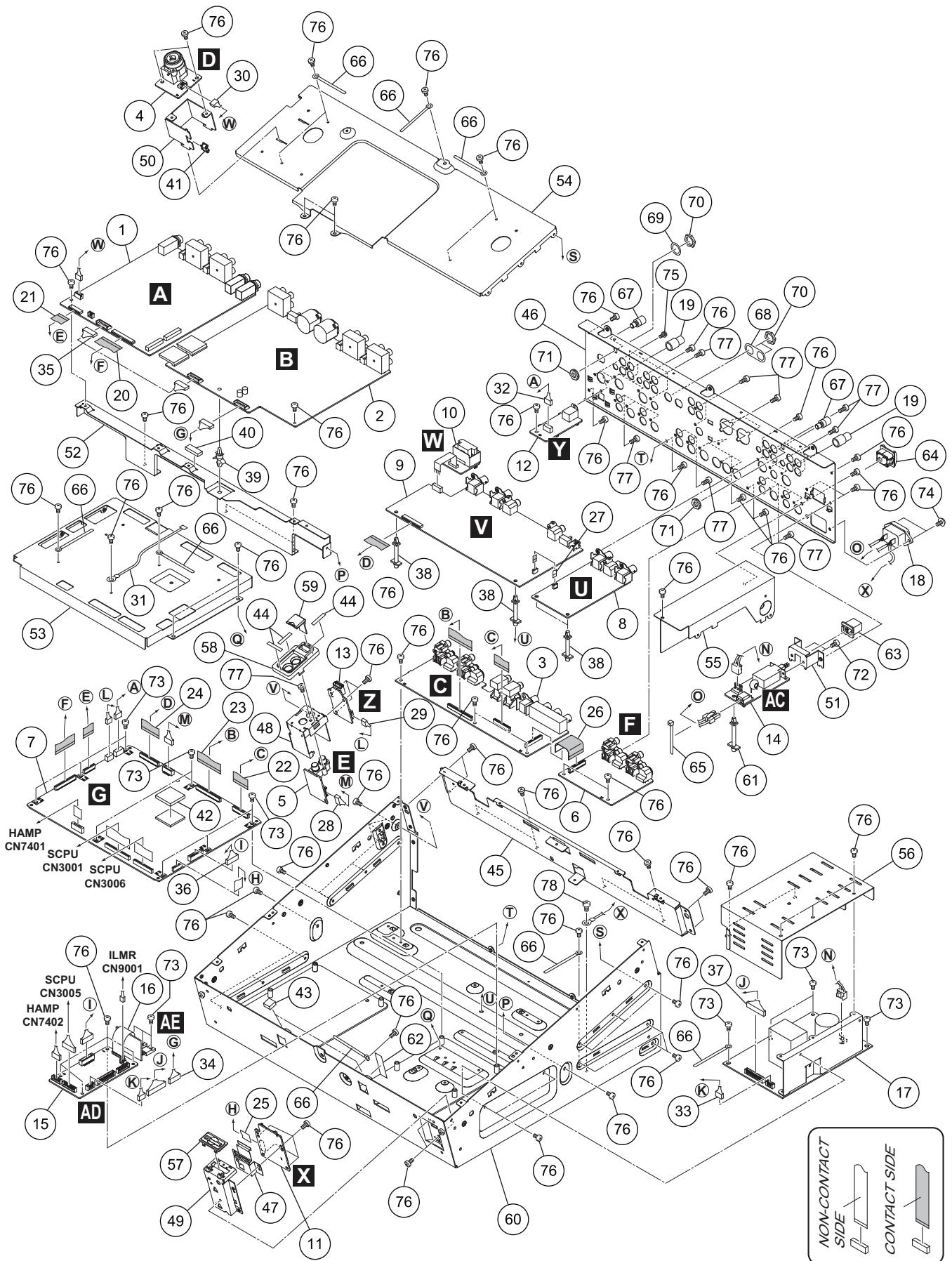
B

C

D

E

F



1

2

3

4

(1) BOTTOM SECTION PARTS LIST

<u>Mark No.</u>	<u>Description</u>	<u>Part No.</u>	<u>Mark No.</u>	<u>Description</u>	<u>Part No.</u>	
1	AUD1 Assy	DWX2718	41	Edge Saddle	DEC1807	
2	AUD2 Assy	DWX2721	42	Radiation Sheet	DEC2694	A
3	VIO1 Assy	DWX2731	43	Gasket S	DEC3028	
4	MJCK Assy	DWX2738	44	Cushion	DEC3055	
5	VIN3 Assy	DWX2733	NSP 45	Rear Frame	DNC1821	
6	VIO2 Assy	DWX2732	NSP 46	Rear Panel	See Contrast table (2)	
7	MAIN Assy	DWX2715	47	Bracket Earth	DNF1751	
8	DIO2 Assy	DWX2719	48	Bracket USB	DNF1753	
9	DIO1 Assy	DWX2724	49	Bracket SD	DNF1754	
10	MIDI Assy	DWX2751	50	Bracket MIC	DNF1758	
11	SDIO Assy	DWX2728	51	Bracket PSW	DNF1759	B
12	USB1 Assy	DWX2727	52	Bracket PCB	DNF1760	
13	USB2 Assy	DWX2720	53	Shield Case MAIN	DNH2776	
14	ACSW Assy	DWX2737	54	Shield Case A	DNH2780	
15	PDIV Assy	DWX2725	55	Shield Case AC	DNH2781	
16	REG Assy	DWX2767	56	Shield Case SWPS	DNH2782	
⚠ 17	POWER SUPPLY Unit	DWR1440	57	SD Cover	DNK4888	
⚠ 18	AC Inlet Assy	See Contrast table (2)	58	USB Cover	DNK4892	
19	Short-pin Plug	AKM7008	59	USB Cap	DNK4898	
20	34P FFC	DDD1375	NSP 60	Chassis Assy	DXB1948	C
21	17P FFC	DDD1376	NSP 61	Locking Spacer 40	PNW2488	
22	24P FFC	DDD1378	NSP 62	Mech. Sheet	VEX1024	
23	34P FFC	DDD1379	63	Power Knob	DAC2306	
24	30P FFC	DDD1380	64	Power Knob Guard	DNK4534	
25	13P FFC	DDD1381	65	Binder (SKB-90BK)	ZCA-SKB90BK	
26	17P FFC	DDD1384	66	Cord Clamper	RNH-184	
27	5P FFC	DDD1388	67	Terminal Screw	DKE1014	
28	Connector Assy	DKP3791	68	Phone Spacer	DEC2914	
29	Connector Assy	DKP3792	69	Horne Washer	DEC2920	D
30	Connector Assy	DKP3794	70	Nut M12	NKX2FNI	
31	Connector Assy	DKP3797	71	Flange Nut M7	DBN1011	
32	Connector Assy	PF05PP-D20	72	Screw	AMZ30P040FTC	
33	Connector Assy	PF05PP-S15	73	Screw	BBZ30P080FTC	
34	Connector Assy	PF07EE-D12	74	Screw	IBZ30P080FTB	
35	Connector Assy	PF08EE-D17	75	Screw	PMH30P080FTB	
36	Connector Assy	PF09PP-D05	76	Screw	BBZ30P060FTB	
37	Connector Assy	PF15PP-S17	77	Screw	BPZ30P080FTB	
38	PCB Support	AEC7513	78	Screw	PMB40P080FTC	E
39	Locking Card Spacer	VEC2234				
40	Rubber Spacer C	DEB1871				

(2) CONTRAST TABLE

SVM-1000/KUCXJ, WYXJ5 and TLXJ are constructed the same except for the following:

Mark	No.	Symbol and Description	SVM-1000 /KUCXJ	SVM-1000 /WYXJ5	SVM-1000 /TLXJ	
⚠	18	AC Inlet Assy (3P)	DKP3761	Not used	Not used	
⚠	18	AC Inlet Assy (2P)	Not used	DKP3762	DKP3762	F
NSP	46	Rear Panel	DNC1836	DNC1820	DNC1881	

9.4 OPERATION PANEL SECTION

1

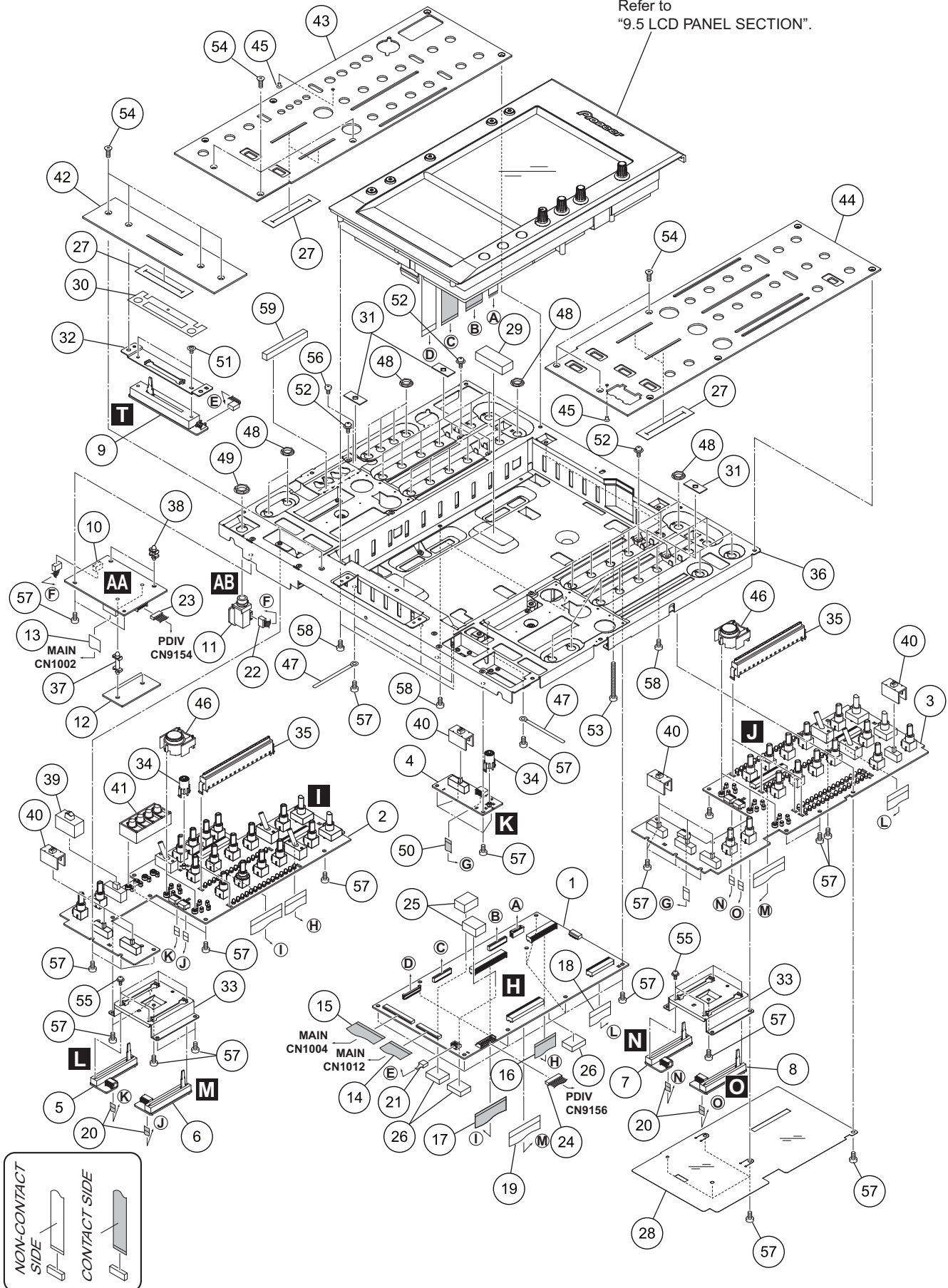
2

3

4

A
B
C
D
E
F

Refer to
"9.5 LCD PANEL SECTION".



1

2

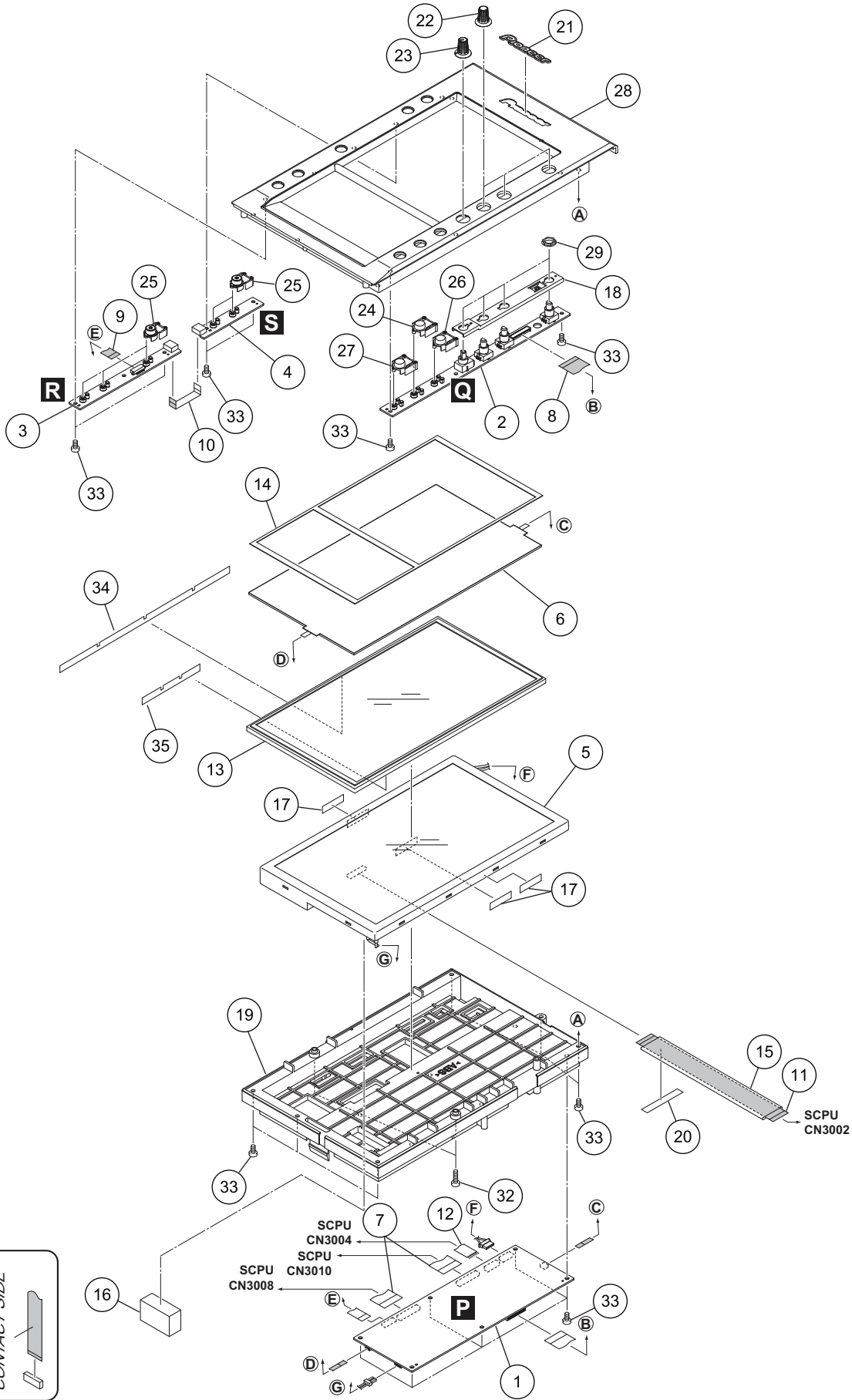
3

4

OPERATION PANEL SECTION PARTS LIST

<u>Mark No.</u>	<u>Description</u>	<u>Part No.</u>	<u>Mark No.</u>	<u>Description</u>	<u>Part No.</u>	
1	SCPU Assy	DWX2716	46	CUE Knob Assy	DXB1950	
2	CTL1 Assy	DWX2729	47	Cord Clamper	RNH-184	A
3	CTL2A Assy	DWX2735	48	Flange Nut M9	DBN1008	
4	CTL2B Assy	DWX2736	49	Flange Nut M12	DBN1012	
5	CFD1 Assy	DWX2740	50	6P FFC	DDD1393	
6	CFD2 Assy	DWX2741	51	Screw	DBA1262	
7	CFD3 Assy	DWX2742	52	Screw	AMZ26P040FTC	
8	CFD4 Assy	DWX2743	53	Screw	BBZ30P450FTC	
9	CRFD Assy	DWX2739	54	Screw	CCZ30P060FTB	
10	HAMP Assy	DWX2726	55	Screw	PMH20P040FTC	
11	HJCK Assy	DWX2734	56	Screw	PMH26P040FTC	B
12	COVER PCB	DWX2793	57	Screw	BBZ30P060FTB	
13	12P FFC	DDD1377	58	Screw	BPZ30P080FTB	
14	30P FFC	DDD1382	59	Shade Cushion	DEC3076	
15	40P FFC	DDD1383				
16	28P FFC	DDD1389				
17	36P FFC	DDD1390				
18	24P FFC	DDD1391				
19	36P FFC	DDD1392				
20	5P FFC	DDD1394				C
21	Connector Assy	PF03PP-D15				
22	Connector Assy	PF04PP-D05				
23	Connector Assy	PF05EE-D37				
24	Connector Assy	PF08EE-D30				
25	Rubber Spacer A	DEB1869				
26	Rubber Spacer B	DEB1870				
27	Fader Packing	DEC2903				
28	Barrier C2	DEC2995				
29	Gasket L	DEC3027				D
30	Sheet CRF	DEC3057				
31	SW Packing	DED1177				
32	CRF Stay	DNF1726				
33	Bracket CHF	DNF1752				
34	Lens Holder	DNK4533				
35	Level Meter Assy	DXB1882				
36	Panel Stay Assy	DXB1945				
NSP 37	PCB Holder	REC1220				E
NSP 38	PC Support	VEC1508				
39	Slide SW Cap (A)	DAC2219				
40	Slide SW Cap	DAC2310				
41	SET Knob FS	DAC2389				
42	CRF Panel	DAH2539				
43	Control Panel (L)	DNB1146				
44	Control Panel (R)	DNB1148				
45	Lens	DNK4532				F

9.5 LCD PANEL SECTION



LCD PANEL SECTION PARTS LIST

<u>Mark No.</u>	<u>Description</u>	<u>Part No.</u>	
1	INVT Assy	DWX2717	
2	CTL3R Assy	DWX2730	A
3	CTL3LB Assy	DWX2745	
4	CTL3LA Assy	DWX2744	
⚠ 5	LCD Panel	CWX3405	
6	Touch Panel	DSX1074	
7	24P FFC	DDD1385	
8	22P FFC	DDD1386	
9	11P FFC	DDD1387	
10	6P FFC	DDD1393	
11	40P FFC	DDD1395	B
12	Jumper Wire 6P	D20PYY0620E	
13	Protect Plate	DAH2481	
14	Touch Panel Pad	DEC2985	
15	EMC Sheet	DEC3033	
16	Gasket 15x25x40	DEC3034	
17	Aluminum Tape	DEF1018	
18	Bracket SEL	DNF1761	
19	L - Case	DNK4825	
NSP 20	Mech. Sheet	VEX1024	C
21	Pioneer Name Plate (42)	AAM1115	
22	EFFECT SELECT Knob	DAA1207	
23	EFFECT DEPTH Knob	DAA1208	
24	TAP Knob	DAC2377	
25	MODE Knob	DAC2379	
26	EFFECT CUE Knob	DAC2390	
27	EFFECT Knob	DAC2391	
28	Center Panel	DNK4824	
29	Flange Nut M9	DBN1008	D
30	•••••		
31	•••••		
32	Screw	BPZ30P120FTB	
33	Screw	BPZ30P080FTB	
34	Shade Sheet L	DEC3079	
35	Shade Sheet S	DEC3078	

12. PCB PARTS LIST

NOTES: ●Parts marked by "NSP" are generally unavailable because they are not in our Master Spare Parts List.
 ●The Δ mark found on some component parts indicates the importance of the safety factor of the part. Therefore, when replacing, be sure to use parts of identical designation.
 ●When ordering resistors, first convert resistance values into code form as shown in the following examples.
 Ex.1 When there are 2 effective digits (any digit apart from 0), such as 560 ohm and 47k ohm (tolerance is shown by J=5%, and K=10%).

560 Ω \rightarrow 56 x 10¹ \rightarrow 561 RD1/4PU $\overline{5}$ $\overline{6}$ $\overline{1}$ J
 47k Ω \rightarrow 47 x 10³ \rightarrow 473 RD1/4PU $\overline{4}$ $\overline{7}$ $\overline{3}$ J
 0.5 Ω \rightarrow R50 RN2H \overline{R} $\overline{5}$ $\overline{0}$ K
 1 Ω \rightarrow 1R0 RS1P $\overline{1}$ \overline{R} $\overline{0}$ K

Ex.2 When there are 3 effective digits (such as in high precision metal film resistors).

5.62k Ω \rightarrow 562 x 10¹ \rightarrow 5621 RN1/4PC $\overline{5}$ $\overline{6}$ $\overline{2}$ $\overline{1}$ F

Mark No. Description Part No.

Mark No. Description Part No.

LIST OF ASSEMBLIES

A AUD1 ASSY

SEMICONDUCTORS

	1..MAIN ASSY	DWX2715
NSP	1..SCIV ASSY	DWM2302
	2..SCPU ASSY	DWX2716
	2..INVT ASSY	DWX2717
C NSP	1..AUDI ASSY	DWM2303
	2..AUD1 ASSY	DWX2718
	2..DIO2 ASSY	DWX2719
	2..USB1 ASSY	DWX2727
NSP	1..AUIL ASSY	DWM2304
	2..AUD2 ASSY	DWX2721
	2..ILMR ASSY	DWX2722
	2..ILML ASSY	DWX2723
NSP	1..DIHP ASSY	DWM2305
	2..USB2 ASSY	DWX2720
	2..DIO1 ASSY	DWX2724
D	2..PDIV ASSY	DWX2725
	2..HAMP ASSY	DWX2726
	2..SDIO ASSY	DWX2728
	2..MIDI ASSY	DWX2751
	2..REG ASSY	DWX2767
NSP	1..CTVI ASSY	DWM2306
	2..CTL1 ASSY	DWX2729
	2..CTL3R ASSY	DWX2730
	2..VIO1 ASSY	DWX2731
	2..VIO2 ASSY	DWX2732
	2..VIN3 ASSY	DWX2733
	2..HJCK ASSY	DWX2734
E NSP	1..CTFD ASSY	DWM2307
	2..CTL2A ASSY	DWX2735
	2..CTL2B ASSY	DWX2736
Δ	2..ACSW ASSY	DWX2737
	2..MJCK ASSY	DWX2738
	2..CRFD ASSY	DWX2739
	2..CFD1 ASSY	DWX2740
	2..CFD2 ASSY	DWX2741
	2..CFD3 ASSY	DWX2742
	2..CFD4 ASSY	DWX2743
	2..CTL3LA ASSY	DWX2744
	2..CTL3LB ASSY	DWX2745
F Δ	1..Power Supply Unit	DWR1440

IC	4001,4004,4011,4013	NJM4580MD
IC	4002,4005,4007,4018	TC7SET08FUS1
Δ IC	4003,4020,4035	LTC1590CS
IC	4006,4008,4010	TC7SH08FUS1
IC	4009	AK5381VT
IC	4012,4045,4046	NE5532AD
IC	4014,4016,4026-4029	NJM4580MD
Δ IC	4015,4030,4057,4058	LM4040EIM3-2.5
Δ IC	4017,4032	CS5361-KS
IC	4019,4022,4033,4034	TC7SET08FUS1
IC	4021,4036	OPA2134UA
IC	4023-4025,4038-4040	TC7SH08FUS1
IC	4031	NJM4580MD
IC	4037,4041-4043,4049	TC7SET08FUS1
IC	4044	AK4382AVT
IC	4047,4048	NJM5532DD
IC	4050-4055	TC7SH08FUS1
IC	4056	TC7SET08FUS1
Q	4001-4004,4014	2SC4081
Q	4005-4008	2SK371D1
Q	4009-4013	DTC124EUA
Q	4015-4022	2SC3326
D	4001-4010,4012,4013	1SS355
D	4011,4018	UDZS5R6(B)
D	4014-4017,4021-4024	RB706D-40
D	4019,4020	1SS355

MISCELLANEOUS

F	4001-4005 FERRITE CORE	VTF1093
JA	4001,4007,4008 HEADPHONE JACK	DKN1281
JA	4003,4005 JACK	VKB1133
JA	4004,4006 JACK	RKN1004
KN	4001,4002 WRAPPING TERMINAL	VNF1084
RY	4001,4002 RELAY	VSR1008
CN	4002 CONNECTOR POST	B3B-PH-K-S
CN	4010 17P CONNECTOR	DKN1511
CN	4011 34P CONNECTOR	DKN1512
CN	4014 CONNECTOR POST	S8B-EH
CN	4015,4016 19P CONNECTOR	19R-1.25FJ

Mark No. Description**Part No.****RESISTORS**

R 4001-4004,4026,4027
 R 4009,4012,4013,4016
 R 4010,4011,4014,4015
 R 4017,4018
 R 4019-4022,4189-4196

RN1/16SE1000D
 RN1/16SE1501D
 RN1/16SE4701D
 RN1/16SE3300D
 RN1/16SE3901D

R 4036,4037,4118-4121
 R 4042,4045,4048,4051
 R 4043,4044,4049,4050
 R 4046,4047,4124-4127
 R 4052,4053,4128-4131

RN1/16SE1001D
 RN1/16SE8200D
 RN1/16SE3301D
 RN1/16SE1102D
 RN1/16SE1502D

R 4056,4057
 R 4060,4061
 R 4062,4063
 R 4070-4077,4086-4089
 R 4078-4081,4146-4149

RSK1/16S510J
 RSK1/16S273J
 RSK1/16S222J
 RN1/16SE3301D
 RN1/16SE2401D

R 4090,4091,4158,4159
 R 4092,4095,4096,4099
 R 4093,4094,4097,4098
 R 4101,4102,4169,4170
 R 4103,4104,4171,4172

RN1/16SE3002D
 RN1/16SE1201D
 RN1/16SE3601D
 RN1/16SE2002D
 RN1/16SE1303D

R 4138-4145,4154-4157
 R 4160,4163,4164,4167
 R 4161,4162,4165,4166
 R 4197-4200,4209-4213
 R 4201-4208

RN1/16SE3301D
 RN1/16SE1201D
 RN1/16SE3601D
 RN1/16SE2202D
 RN1/16SE3301D

R 4214,4215,4217,4218
 R 4216,4219,4222
 R 4220,4221,4223,4224
 R 4225-4228
 R 4233-4240

RN1/16SE3001D
 RN1/16SE2202D
 RN1/16SE3001D
 RN1/16SE2202D
 RN1/16SE8201D

R 4241-4256
 R 4257-4260
 R 4273,4275,4277,4279
 R 4281-4284
 Other Resistors

RN1/16SE1002D
 RN1/16SE2700D
 RN1/16SC68R0D
 RD1/2VM101J
 RS1/16S###J

CAPACITORS

C 4001,4049-4052
 C 4002,4055,4058,4150
 C 4003,4004,4009-4012
 C 4005-4008,4036,4037
 C 4013,4014

CCSRCH221J50
 CFTLA103J50
 CCSRCH102J50
 CCH1559
 CKSRYB472K50

C 4015-4018,4099-4102
 C 4019,4020,4065,4066
 C 4021,4024,4074,4078
 C 4022,4023,4025,4032
 C 4026,4031,4034,4071

CCSRCH101J50
 CCSRCH331J50
 CEHAZL101M25
 CKSRYB103K50
 CEHAZL100M50

C 4027,4028,4035,4038
 C 4029,4030,4136,4137
 C 4033,4047,4072,4073
 C 4039,4124,4207
 C 4040,4042,4043,4045

CKSRYB104K16
 CCSRCH330J50
 CKSRYB103K50
 CEHAZL221M10
 CKSRYB104K16

C 4041,4044,4119,4121
 C 4046,4048,4120,4125
 C 4053,4054
 C 4059,4060
 C 4063,4064

CEHAZL101M10
 CKSRYB104K16
 CCSRCH181J50
 CCSRCH471J50
 CQMA223J50

C 4067,4068
 C 4069,4070

CEHAZL471M16
 CQMA124J50

Mark No. Description**Part No.**

C 4075,4077,4092,4093
 C 4076,4113,4116,4128
 C 4079,4082

CKSRYB103K50
 CEHAZL100M50
 CQMA333J50

C 4080,4081
 C 4083,4085,4087,4089
 C 4091,4094,4096,4098
 C 4095,4097,4107,4108
 C 4103-4106,4109,4110

CQMA222J50
 CCH1559
 CEHAZL101M25
 CKSRYB103K50
 CFTNA334J50

C 4111,4112,4182-4185
 C 4114,4115,4127,4132
 C 4122,4123,4205,4206
 C 4126,4129-4131,4134
 C 4133,4202,4204,4216

CCSRCH101J50
 CKSRYB103K50
 CKSRYB272K50
 CKSRYB104K16
 CEHAZL101M10

C 4135,4142-4145,4203
 C 4138,4141,4158,4161
 C 4139,4140,4159,4160
 C 4146-4149
 C 4155

CKSRYB104K16
 CEHAZL100M50
 CKSRYB103K50
 CCSRCH221J50
 CFTLA103J50

C 4162,4163,4175,4176
 C 4164,4165,4196,4199
 C 4166,4168,4170,4172
 C 4174,4177,4179,4181
 C 4178,4180,4190,4191

CKSRYB103K50
 CEHAZL100M50
 CCH1559
 CEHAZL101M25
 CKSRYB103K50

C 4186-4189,4192,4193
 C 4194,4195
 C 4197,4198,4210,4215
 C 4200,4201,4319,4320
 C 4208,4209,4212-4214

CFTNA334J50
 CCSRCH101J50
 CKSRYB103K50
 CCH1354
 CKSRYB104K16

C 4211,4221,4224
 C 4217,4218,4225-4231
 C 4219,4220
 C 4222,4223,4232
 C 4233,4291-4297

CEHAZL100M50
 CKSRYB104K16
 CCSRCH330J50
 CKSRYB103K50
 CKSRYB104K16

C 4234,4298,4299
 C 4235-4238
 C 4239-4242
 C 4243-4250
 C 4251-4254,4263-4266

CEHAZL101M10
 CCSQCH332J50
 CCSRCH122J50
 CCSRCH121J50
 CKSRYB103K50

C 4256,4258,4260,4262
 C 4267-4274
 C 4275-4278
 C 4287-4290
 C 4300,4305,4306

CCH1559
 CCSRCH151J50
 CEHAZL470M25
 CQMA103J50
 CEHAZL101M25

C 4301-4303,4310
 C 4308,4309
 C 4311-4316
 C 4317,4318
 C 4321-4324

CKSRYB104K16
 CKSRYB103K50
 CEHAZL100M50
 CCH1559
 CQMA682J50

B AUD2 ASSY**SEMICONDUCTORS**

IC 5001-5003,5024-5029
 IC 5004
 IC 5005-5007,5016-5018
 IC 5008,5009,5021
 ⚠ IC 5010,5011,5041,5056

TC7SH08FUS1
 AK4393VF
 TC7SET08FUS1
 NJM4580MD
 LTC1590CS

IC 5012,5013,5042,5057
 IC 5014,5015

OPA2134UA
 NJM2114D

Mark No. Description

Part No.

Mark No. Description

Part No.

A

IC 5019	AK4382AVT
IC 5020,5048	NE5532AD
IC 5023,5039,5040,5043	TC7SET08FUS1
△ IC 5030	TA78L12F
△ IC 5031	BA033FP
IC 5032-5035,5037,5047	NJM4580MD
△ IC 5036,5051,5065,5066	LM4040EIM3-2.5
△ IC 5038,5053	CS5361-KS

R 5208-5211,5280,5281	RN1/16SE1502D
R 5226-5229,5306-5309	RN1/16SE2401D
R 5234-5237,5271,5272	RN1/16SE3301D
R 5238,5239,5318,5319	RN1/16SE3002D
R 5240,5243,5244,5247	RN1/16SE1201D
R 5241,5242,5245,5246	RN1/16SE3601D
R 5249,5250,5329,5330	RN1/16SE2002D
R 5251,5252,5331,5332	RN1/16SE1303D
R 5270,5273,5276,5279	RN1/16SE8200D
R 5277,5278,5298-5305	RN1/16SE3301D
R 5284,5285	RSK1/16S510J

B

IC 5044-5046,5059-5061	TC7SH08FUS1
IC 5049,5050,5052	NJM4580MD
IC 5054,5055,5058,5062	TC7SET08FUS1
IC 5063	TC7SET08FUS1
IC 5064	TC7SH08FUS1

R 5288,5289	RSK1/16S273J
R 5290,5291	RSK1/16S222J
R 5314-5317	RN1/16SE3301D
R 5320,5323,5324,5327	RN1/16SE1201D
R 5321,5322,5325,5326	RN1/16SE3601D
Other Resistors	RS1/16S###J

C

Q 5002,5016,5017	DTC124EUA
Q 5003,5005	2SA1576A
Q 5004,5006-5013	2SC3326
Q 5014,5015	2SC2412K
Q 5018	2SC4081

D

Q 5019-5022	2SK371D1
Q 5023-5025	DTC124EUA
D 5001-5012,5014,5015	1SS355
D 5013,5020	UDZS5R6(B)
D 5016-5019,5023-5026	RB706D-40
D 5021,5022,5027,5028	1SS355

CAPACITORS

C 5001-5003,5006	CKSRYP104K16
C 5004,5031,5033,5035	CKSRYP103K50
C 5005,5047,5048,5057	CEHAZL100M50
C 5007,5226,5325	CEHAZL221M10
C 5008-5010,5012,5017	CKSRYP104K16

MISCELLANEOUS

L 5005-5008 FERRITE CORE	VTF1093
JA 5001,5002 CANON CONNECTOR	DKB1077
JA 5003,5012,5014 JACK	VKB1133
JA 5013,5015 JACK	RKN1004
KN 5008,5010 WRAPPING TERMINAL	VNF1084
RY 5001-5004 RELAY	VSR1008
S 5001 SLIDE SWITCH	DSH1063
CN 5004,5005 19P CONNECTOR	VKN1775
CN 5006 CONNECTOR POST	S8B-EH

C 5011,5102,5221,5223	CEHAZL101M10
C 5013-5016	CQMA822J50
C 5018-5021,5106,5107	CCSRCH152J50
C 5022-5027,5029,5030	CCSRCH151J50
C 5028,5049,5050	CKSRYP104K16
C 5032,5034,5036,5038	CEHAZL101M25
C 5037,5051,5052,5058	CKSRYP103K50
C 5040,5042,5044,5046	CCH1354
C 5053-5056,5238,5239	CCSRCH330J50
C 5059,5062,5064,5177	CEHAZL100M50

RESISTORS

D

R 5011-5016,5018,5019	RN1/16SE1201D
R 5020-5023,5032-5036	RN1/16SE1202D
R 5024-5031,5080,5082	RN1/16SE1101D
R 5037,5038,5040,5041	RN1/16SE1001D
R 5039,5042,5045	RN1/16SE1202D
R 5043,5044,5046,5047	RN1/16SE1001D
R 5049-5052	RN1/16SE1202D
R 5060-5067	RN1/16SE3901D
R 5068-5071	RN1/16SE1002D
R 5072-5075	RN1/16SE9101D
R 5076-5079	RD1/2VM181J
R 5081,5083,5085,5087	RN1/16SE4701D
R 5084,5086	RN1/16SE1101D
R 5119-5122	RN1/16SE4701D
R 5123,5124,5129-5131	RN1/16SE3902D
R 5125-5128,5218-5225	RN1/16SE3301D
R 5132,5133,5135,5136	RN1/16SE2401D
R 5134,5137,5138	RN1/16SE3902D
R 5139-5142	RN1/16SE1302D
R 5145,5146,5153,5154	RN1/16SE2002D

E

R 5161-5164,5177-5180	RN1/16SE2700D
R 5169-5172	RN1/16SE4300D
R 5198-5201,5264,5265	RN1/16SE1001D
R 5204-5207,5274,5275	RN1/16SE1102D

C 5060,5061,5063,5075	CKSRYP103K50
C 5065-5068,5201-5204	CCSRCH101J50
C 5069-5074,5078,5079	CCSRCH820J50
C 5076,5080,5083,5084	CEHAZL101M25
C 5077,5081,5082,5101	CKSRYP103K50
C 5089	CEHANP220M25
C 5090-5093	CQMA221J50
C 5094-5097,5169,5174	CFLA103J50
C 5098-5100,5103	CKSRYP104K16
C 5104,5105	CCSQCH332J50
C 5108-5110,5112	CCSRCH560J50
C 5111,5113,5122,5123	CKSRYP103K50
C 5115,5117,5128,5129	CCH1559
C 5119,5121,5124,5125	CCSRCH820J50
C 5140-5143	CKSRYP221K50
C 5144-5150,5153,5154	CKSRYP104K16
C 5151,5152,5159	CEHAS470M16
C 5155,5160,5161,5163	CKSRYP103K50
C 5156,5162,5222,5227	CKSRYP104K16
C 5157,5158,5193,5196	CEHAZL101M25
C 5164	CEHAZL470M25
C 5165-5168,5248-5251	CCSRCH221J50
C 5178,5179,5181,5182	CKSRYP103K50
C 5180,5183,5184,5215	CEHAZL100M50
C 5185,5187,5189,5191	CCH1559

Mark No.	Description	Part No.
C 5194,5195,5197,5199		CKSRBY103K50
C 5198,5200,5275,5279		CEHAZL101M25
C 5205-5208,5211,5212		CFTNA334J50
C 5209,5210,5216,5217		CKSRBY103K50
C 5213,5214,5300-5303		CCSRCH101J50
C 5218,5230,5240,5243		CEHAZL100M50
C 5219,5220,5318,5319		CCH1354
C 5224,5225,5323,5324		CKSRBY272K50
C 5228,5231-5233,5236		CKSRBY104K16
C 5229,5234,5241,5242		CKSRBY103K50
C 5235,5320,5322,5334		CEHAZL101M10
C 5237,5244-5247,5321		CKSRBY104K16
C 5252,5253		CCSRCH181J50
C 5254,5257		CFTLA103J50
C 5258,5259		CCSRCH471J50
C 5262,5263		CQMA223J50
C 5264,5265		CCSRCH331J50
C 5266,5267		CEHAZL471M16
C 5268,5271		CQMA124J50
C 5272,5277,5314,5317		CEHAZL100M50
C 5273,5274,5276,5278		CKSRBY103K50
C 5280,5283		CQMA333J50
C 5281,5282		CQMA222J50
C 5284,5286,5288,5290		CCH1559
C 5292,5295,5297,5299		CEHAZL101M25
C 5293,5294,5296,5298		CKSRBY103K50
C 5304-5307,5310,5311		CFTNA334J50
C 5308,5309,5315,5316		CKSRBY103K50
C 5312,5313		CCSRCH101J50
C 5326,5327,5330-5332		CKSRBY104K16
C 5328,5333,5340,5341		CKSRBY103K50
C 5329,5339,5342		CEHAZL100M50
C 5335,5336,5343-5347		CKSRBY104K16
C 5337,5338		CCSRCH330J50
C 5348-5351		CEHAZL101M25
C 5352,5354,5355		CKSRBY104K16

C VIO1 ASSY

SEMICONDUCTORS

D 7701-7716 UDZS6R2(B)

MISCELLANEOUS

JA 7701,7703 JACK VKB1123
 JA 7702,7704 SOCKET AKP7050
 JA 7708,7709 COMB.JACK(S+1P) AKB7159
 JA 7710 BNC CONNECTOR DKN1267
 JA 7711 BNC CONNECTOR DKN1268

CN 7705 17P CONNECTOR VKN1248
 CN 7706 34P CONNECTOR VKN2004
 CN 7707 CONNECTOR VKN1200

RESISTORS

R 7741,7742 RS1/16S103J
 Other Resistors RS1/16S####F

CAPACITORS

C 7727,7728,7730,7732 CEAT102M6R3
 C 7729,7731 CKSRBY104K16
 C 7733,7734 CEAT471M6R3

Mark No.	Description	Part No.
C 7735,7736		CEAT102M6R3

D MJCK ASSY

MISCELLANEOUS

L 8701,8702 INDUCTOR CTF1409
 F 8701,8702 FERRITE CORE VTF1093
 JA 8701 CANON CONNECTOR DKB1068
 KN 8702 WRAPPING TERMINAL VNF1084
 CN 8701 CONNECTOR POST S3B-PH-K-S

CAPACITORS

C 8701,8702 CCSRCH221J50
 C 8703,8704 CFTLA103J50
 C 8705-8708 CCSRCH102J50

E VIN3 ASSY

MISCELLANEOUS

JA 8201 JACK VKB1123
 CN 8202 CONNECTOR S6B-PH-K-S

F VIO2 ASSY

SEMICONDUCTORS

D 8001-8008 UDZS6R2(B)

MISCELLANEOUS

JA 8001,8003 JACK VKB1123
 JA 8002,8004 SOCKET AKP7050
 CN 8005 17P CONNECTOR VKN1248

G MAIN ASSY

SEMICONDUCTORS

IC 1001 D610A003BPYP225
 IC 1003 K4S641632K-UC75
 IC 1006,1007,1074 TC74VHC541FTS1
 IC 1008 AX51902A
 IC 1009,1010,1044-1047 K4S281632K-UC75

IC 1012,1015,1017,1026 TC7SH08FUS1
 ⚠ IC 1013,1076 LTC3406B-2ES5
 ⚠ IC 1016,1019 TPS54380PWP
 IC 1020,1027,1034,1069 TC74LCX541FTS1
 IC 1021,1022 TC7SZU04FU

IC 1023,1031 TC7SHU04FUS1
 IC 1024,1025,1028,1029 TC7SZ08FU
 IC 1030 TC7WH74FU
 IC 1032,1054,1056,1060 TC7SH08FUS1
 IC 1035 TE4300PF

IC 1036 TDOTG242-0F0C8
 IC 1037 R5523N001B
 IC 1038,1039 ADV7172KSTZ
 IC 1040,1041 LA73054
 IC 1043 TMS320DM642AZN26

⚠ IC 1048,1049,1052,1053 ADV7180BSTZ
 IC 1050,1051 TC7W53FU
 IC 1055 XC3S50-4TQG144C

Mark No.	Description	Part No.	Mark No.	Description	Part No.
C 1010-1024,1026		CKSRYB104K16	C 1369,1370,1419,1420		CKSRYB823K25
C 1028-1061,1064,1067		CKSRYB104K16	C 1373,1374,1378,1381		CKSRYB105K10
C 1063,1065,1066,1102		CKSRYB105K10	C 1375,1376,1409,1410		CEHVKW470M6R3
C 1068,1072,1073,1096		CKSRYB104K16	C 1379,1380,1382-1396		CKSRYB104K16
C 1077,1149,1169,1210		CEHVKW101M6R3	C 1404-1407,1413-1416		CKSRYB105K10
C 1079,1131,1136,1689		BCG1059	C 1418,1421,1423,1678		CKSRYB103K50
C 1080,1082,1084,1086		CKSSYB104K10	C 1422,1424,1427,1430		CKSRYB105K10
C 1081,1083,1085,1087		CKSSYB103K16	C 1425,1426,1447,1454		CEHVKW470M6R3
C 1088,1090,1092,1094		CKSSYB104K10	C 1428,1431-1444		CKSRYB104K16
C 1089,1091,1093,1095		CKSSYB103K16	C 1448-1453,1455-1458		CKSRYB104K16
C 1097,1100,1114,1151		CKSQYB106K6R3	C 1459,1485,1503,1507		CEHVKW470M6R3
C 1101,1103,1104,1108		CKSRYB104K16	C 1460-1464,1466-1475		CKSRYB104K16
C 1105,1109,1116,1119		CKSRYB105K10	C 1476,1478,1482-1484		CKSRYB105K10
C 1110,1111,1115,1117		CKSRYB104K16	C 1479-1481,1486		CKSRYB104K16
C 1118,1122,1124,1125		CKSRYB104K16	C 1488,1490,1537,1538		CKSRYB105K10
C 1123,1152,1171,1173		CKSRYB105K10	C 1489,1495,1497,1498		CKSSYB104K10
C 1135,1142,1145,1146		CKSRYB104K16	C 1491-1494,1532-1534		CKSRYB104K16
C 1138,1160		CKSRYB332K50	C 1500-1502,1504,1505		CKSSYB104K10
C 1140,1147,1161,1705		ACH7195	C 1508-1514,1517-1524		CKSSYB104K10
C 1141,1162,1649-1655		CKSRYB471K50	C 1529,1531,1604-1619		CKSSYB104K10
C 1143,1163		CKSRYB822K50	C 1530,1539,1563,1647		CKSQYB106K6R3
C 1144,1164		CKSRYB472K50	C 1540,1542,1543,1546		CKSRYB104K16
C 1150,1158,1165-1167		CKSRYB104K16	C 1541,1544,1545,1548		CKSRYB105K10
C 1170,1207,1211,1218		CKSQYB106K6R3	C 1547,1551,1553-1562		CKSRYB104K16
C 1174,1189		CCSRCH5R0D50	C 1549,1656,1755		CEHVKW100M16
C 1175,1188		CCSRCH7R0D50	C 1550,1552,1594		CKSRYB105K10
C 1176,1181,1187		CKSRYB105K10	C 1564,1568,1620,1685		CEHVKW470M6R3
C 1182,1191		CCSRCH120J50	C 1565-1567,1569-1593		CKSRYB104K16
C 1190		CCSRCH102J50	C 1598,1601-1603,1648		CKSRYB104K16
C 1192-1197,1201,1202		CKSRYB105K10	C 1621-1646		CKSSYB104K10
C 1198		CCSRCH180J50	C 1658-1677,1679,1680		CKSRYB104K16
C 1199,1204,1206,1224		CKSRYB104K16	C 1686,1726,1727,1758		CKSRYB104K16
C 1200		CCSRCH150J50	C 1687,1770,1771		CEHVKW470M6R3
C 1205,1208,1209		CKSRYB105K10	C 1688,1725,1789,1790		CKSQYB106K6R3
C 1212-1217,1219		CKSRYB105K10	C 1693,1707,1769		CCSRCH220J50
C 1221-1223,1226-1229		CKSRYB105K10	C 1695,1700,1701		BCG1059
C 1225		CKSRYB102K50	C 1703		CCSRCH471J50
C 1230		CKSQYB225K10	C 1704		CCSRCH101J50
C 1231,1240,1759		CEHVKW101M6R3	C 1706		BCG1050
C 1241,1242,1283-1286		CEHVKW470M6R3	C 1761		CKSRYB471K50
C 1243-1246,1249-1282		CKSRYB104K16	C 1772,1773,1779-1784		CKSRYB104K16
C 1247,1248,1296,1367		CKSRYB103K50	C 1785		CKSRYB103K50
C 1287-1294,1301,1304		CKSRYB105K10	C 1786		CKSSYB103K16
C 1297,1298,1361,1362		CEHVKW470M6R3	C 1791-1799		CKSRYB104K16
C 1299,1308,1315,1324		CKSQYB106K6R3			
C 1300,1302,1303,1306		CKSRYB104K16			
C 1305,1310,1313,1314		CKSRYB105K10			
C 1307,1309,1311,1312		CKSRYB104K16			
C 1316,1318,1329,1332		CKSRYB105K10			
C 1319,1320,1327,1330		CKSRYB104K16			
C 1321-1323,1326,1328		CKSSYB104K10			
C 1325,1347,1506,1528		CKSQYB106K6R3			
C 1331,1338,1339,1349		CKSRYB104K16			
C 1333,1350,1353,1354		CKSRYB105K10			
C 1334-1337,1477,1487		CKSSYB104K10			
C 1341,1343,1345,1348		CKSSYB103K16			
C 1351,1352,1355,1356		CKSRYB104K16			
C 1357-1360,1363-1366		CKSRYB105K10			
C 1368,1371,1372,1417		CKSRYB103K50			

H SCPU ASSY

SEMICONDUCTORS

IC 3001,3004-3009,3011	TC7SH08FUS1
IC 3002,3003	TC74VHC541FTS1
IC 3010	DYW1766
IC 3012-3014,3017	TC74HC4052AFT
△ IC 3015	BA033FP
IC 3016	NJM2903M
IC 3018,3019	TC74HC238AF
IC 3020-3023	TC74HC273AF
Q 3001-3003,3005-3007	DTC143EUA
Q 3004,3008	2SB1188

Mark No.	Description	Part No.
CN 7102	CONNECTOR 24P	52492-2420
CN 7103,7104	CONNECTOR 5P	52492-0520
CN 7105	CONNECTOR 6P	52492-0620

RESISTORS

R 7105-7108,7114	Other Resistors	RS1/16S3900D
		RS1/16S###J

CAPACITORS

C 7101,7103,7105,7108	CEAL101M10
C 7102,7104,7106,7107	CKSRYB104K16
C 7109-7131	CKSRYB104K16

K CTL2B ASSY**SEMICONDUCTORS**

Q 8351	DTC143EUA
D 8351,8352	1SS355
D 8353	TLGE68DG

MISCELLANEOUS

S 8351 SLIDE SWITCH	DSH1058
CN 8351 CONNECTOR 6P	52492-0620

RESISTORS

All Resistors	RS1/16S###J
---------------	-------------

L CFD1 ASSY**MISCELLANEOUS**

VR 8801 VARIABLE RESISTOR	DCV1020
CN 8801 CONNECTOR 5P	52492-0520

M CFD2 ASSY**MISCELLANEOUS**

VR 8851 VARIABLE RESISTOR	DCV1020
CN 8851 CONNECTOR 5P	52492-0520

N CFD3 ASSY**MISCELLANEOUS**

VR 8901 VARIABLE RESISTOR	DCV1020
CN 8901 CONNECTOR 5P	52492-0520

O CFD4 ASSY**MISCELLANEOUS**

VR 8951 VARIABLE RESISTOR	DCV1020
CN 8951 CONNECTOR 5P	52492-0520

P INVT ASSY**SEMICONDUCTORS**

△ IC 6001	TA78L05F
△ IC 6002	OZ9641SN

Mark No.	Description	Part No.
Q 6001		DTC123EUA
△ Q 6002		2SA1615-ZS1
△ Q 6003-6006		TS8M1
Q 6007,6008		2SC4617
Q 6009		2SA1774
Q 6010		UM6K1N
Q 6011-6014,6016,6018		DTC124EUA
Q 6015,6017,6019,6021		DTA124EUA

Q 6020,6022	DTC124EUA
D 6001,6002	HZU6R2(B3)
D 6003	UDZS6R2(B)
D 6004-6006,6011-6031	1SS355
D 6007-6010	MC2850-11

MISCELLANEOUS

L 6001 CHOKE COIL	CTH1349
VR 6001 SEMIFIXED-RESISTOR	CCP1443
△ T 6001,6002 TRANSFORMER	CTT1136
CN 6001 22P CONNECTOR	VKN1282
CN 6002,6003 24P CONNECTOR	VKN1814

CN 6004 11P CONNECTOR	VKN1303
CN 6005 6PJUMPER CONNECTOR	52151-0610
CN 6006 CONNECTOR	CKS3192
CN 6007 CONNECTOR	CKS4428
CN 6008,6009 04P CONNECTOR	9610S-04B

RESISTORS

R 6004,6005,6007,6008	RS1/4S221J
R 6024	RN1/16SE1102D
R 6034-6037	RS1/4S221J
Other Resistors	RS1/16S###J

CAPACITORS

C 6001,6003,6017	CEHAR101M10
C 6002,6004,6020,6023	CKSRYB104K16
C 6005,6006,6008-6011	CCG1223
C 6007	CEHAT101M25
C 6012,6019,6030	CKSRYB103K50

C 6013,6014	CCG1223
C 6015,6022	CKSRYB105K10
C 6016	CKSRYB183K50
C 6018	CKSRYB474K10
C 6021	CKSRYB334K10

△ C 6026,6028	CCG1194
C 6027,6029	CKSRYB273K25
C 6031,6032	CKSRYB473K50
C 6033	CCSRCH102J50
C 6034-6041	CKSRYB102K50
C 6042-6050	CKSRYB104K16

Q CTL3R ASSY**SEMICONDUCTORS**

D 8501,8502	UW3804(ABCDEF)
D 8503	1SS355
D 8504,8505	SLR343BC4T(JKLM)
D 8506,8507	SLI-343YYW(RST)

MISCELLANEOUS

VR 8501 VARIABLE RESISTOR	ACS7026
S 8501-8503 TACT SWITCH	DSG1079
S 8504,8505 ROTARY ENCODER	DSX1073

Mark No. Description

S 8506 ROTARY ENCODER
CN 8501 22P CONNECTOR

Part No.

DSX1069
VKN1282

Mark No. Description**V DIO1 ASSY****Part No.****SEMICONDUCTORS**

IC 6501,6502 TC7WU04FU
IC 6503,6504 AK4117VF
IC 6505,6506,6517 AD1895AYRS
IC 6507-6510,6518,6519 TC7SH08FUS1
IC 6511,6512 NJM2561F1

IC 6514 TC74HCU04AF
IC 6515 TC7SET08FUS1
IC 6516 AK4114VQ
Q 6502,6503 2SC4081
D 6501-6504 UDZS6R2(B)

MISCELLANEOUS

L 6501 FERRITE CORE VTF1093
JA 6501,6502 BNC CONNECTOR DKN1267
JA 6503,6504 1P PIN JACK PKB1036
KN 6501 SCREW PLATE VNE1948
S 6501 SLIDE SWITCH DSH1025

T 6501 COIL PTL1003
CN 6501 CONNECTOR 30PIN DKN1480
CN 6502 5P CONNECTOR VKN1374
CN 6503 4P JUMPER CONNECTOR 52147-0410

RESISTORS

R 6501,6525,6526,6559 RS1/16S75R0F
R 6547 RN1/16SE1802D
R 6553-6556 RS1/10S0R0J
Other Resistors RS1/16S###J

CAPACITORS

C 6502 CCSRCH221J50
C 6503,6510,6511 CKSRYB103K50
C 6504,6505 CCSRCH470J50
C 6506,6507 CCSRCH220J50
C 6508,6509,6513,6514 CKSRYB104K16

C 6512,6515,6525,6527 CEAT100M50
C 6516,6517,6522-6524 CKSRYB104K16
C 6518-6521,6566,6572 CKSRYB103K50
C 6526,6529-6532,6534 CKSRYB104K16
C 6533,6535,6543 CEAT470M16

C 6536,6542,6547,6549 CKSRYB104K16
C 6537,6539,6546,6548 CEAT101M16
C 6538,6540 CEAT330M16
C 6544,6545 CEAL4R7M16
C 6550 CEAT101M16

C 6552-6554,6557,6559 CKSRYB104K16
C 6560,6563,6569 CEAT100M50
C 6561 CKSRYB474K10
C 6562,6564,6565,6567 CKSRYB104K16
C 6568,6570,6571 CKSRYB104K16

W MIDI ASSY**SEMICONDUCTORS**

IC 9201 TC7S00FU
Q 9201 DTC124EUA
D 9201 NNCD6.2MF
D 9202,9203 1SS355

RESISTORS

All Resistors

RS1/16S###J

CAPACITORS

C 8501-8508
C 8509

CKSRYB103K50
CKSRYB104K16

R CTL3LB ASSY**SEMICONDUCTORS**

D 8451,8453
D 8452,8455,8456
D 8454

SLR343BC4T(JKLM)
1SS355
SLI-343URCW(RST)

MISCELLANEOUS

S 8451-8453 TACT SWITCH
CN 8451 11P CONNECTOR
CN 8452 CONNECTOR 6P

DSG1079
VKN1271
52492-0620

RESISTORS

All Resistors

RS1/16S###J

S CTL3LA ASSY**SEMICONDUCTORS**

D 8401,8404
D 8402,8403

1SS355
SLI-343URCW(RST)

MISCELLANEOUS

S 8401,8402 TACT SWITCH
CN 8401 CONNECTOR 6P

DSG1079
52492-0620

RESISTORS

All Resistors

RS1/16S###J

T CRFD ASSY**MISCELLANEOUS**

VR 8751 VARIABLE RESISTOR
CN 8751 CONNECTOR POST

DCV1006
S3B-PH-K-S

U DIO2 ASSY**SEMICONDUCTORS**

D 8251-8254

UDZS6R2(B)

MISCELLANEOUS

JA 8251 1P PIN JACK
JA 8252,8253 BNC CONNECTOR
CN 8251 5P CONNECTOR

PKB1036
DKN1267
VKN1374

RESISTORS

All Resistors

RS1/16S###F

CAPACITORS

C 8251
C 8253

CCSRCH221J50
CKSRYB103K50

Mark No.	Description	Part No.
MISCELLANEOUS		
J 0	JUMPER WIRE	D20PYY0405E
JA 9201	CONNECTOR	DKN1188
0	SHIELD CASE(MIDI)	DNH2736
JH 9201	4P CABLE HOLDER	51048-0400

RESISTORS

R 9201,9202
Other Resistors

RS1/10S0R0J
RD1/2VM###J

CAPACITORS

C 9201
C 9202,9206
C 9205

CKSRYB103K50
CKSRYB104K16
CEAT100M50

X SDIO ASSY**SEMICONDUCTORS**

D 8302-8309

DAN217

MISCELLANEOUS

JA 8301 SDCARD SLOTCONNECTOR
CN 8301 13P CONNECTOR

DKP3748
VKN1305

RESISTORS

All Resistors

RS1/16S###J

CAPACITORS

C 8301,8304
C 8305

CKSRYB104K16
CEHAR101M10

Y USB1 ASSY**SEMICONDUCTORS**

D 8553
D 8554

UDZS5R6(B)
NNCD6.2MF

MISCELLANEOUS

JA 8551 USB CONNECTOR
CN 8551 CONNECTOR

DKN1237
AKM1276

RESISTORS

All Resistors

RS1/16S###J

MISCELLANEOUS

JH 8551 PCB BINDER

VEF1040

CAPACITORS

C 8551
C 8552
C 8553,8554
C 8555

CEJQ101M10
CKSRYB104K16
CCSRCH470J50
CFLA103J50

Z USB2 ASSY**SEMICONDUCTORS**

D 8601
D 8602

UDZS5R6(B)
NNCD6.2MF

MISCELLANEOUS

JA 8601 USB CONNECTOR
KN 8601 WRAPPING TERMINAL

VKB1226
VNF1084

Mark No. Description Part No.

CN 8601 CONNECTOR

AKM1290

RESISTORS

All Resistors

RS1/16S###J

CAPACITORS

C 8601
C 8602
C 8603,8604
C 8605

CEJQ101M10
CKSRYB104K16
CCSRCH470J50
CFLA103J50

AA HAMP ASSY**SEMICONDUCTORS**

IC 7404
⚠ IC 7405
IC 7406
IC 7407
Q 7401,7403

AK4382AVT
TA78L12F
NE5532AD
NJM2068M
2SD1859X

Q 7402,7404
Q 7405
D 7401-7411

2SB1238X
2SC2412K
1SS355

MISCELLANEOUS

RY 7401 RELAY
CN 7401 CONNECTOR
CN 7403 CONNECTOR
CN 7404 CONNECTOR POST

VSR1008
CKS4999
B4B-PH-K-S
B2B-PH-K-S

RESISTORS

R 7408-7411
R 7412,7413,7418-7421
R 7414-7417
R 7422,7423,7426,7427
R 7424,7425

RN1/16SE4701D
RN1/16SE1302D
RN1/16SE3301D
RN1/16SE2701D
RN1/16SE1302D

R 7436,7438
R 7437,7439
R 7440-7443
R 7444-7447
R 7453,7454

RN1/16SE1202D
RN1/16SE2201D
RD1/2VM122J
RS2LMF270J
RD1/2VM221J

Other Resistors

RS1/16S###J

CAPACITORS

C 7404,7405,7410,7411
C 7406,7413,7414
C 7407,7408,7415
C 7409,7412
C 7416,7417

CKSRYB103K50
CKSRYB104K16
CEHAZL101M25
CEHAZL101M10
CQMA332J50

C 7418,7419
C 7420-7422,7424
C 7423,7425,7437
C 7428,7429
C 7430,7431

CCSRCH122J50
CCSRCH121J50
CKSRYB103K50
CCH1559
CEAT220M50

C 7433,7435
C 7436,7440,7441
C 7438,7439

CCSRCH471J50
CEAT221M25
CCSRCH220J50

AB HJCK ASSY**MISCELLANEOUS**

F 8651-8653 FERRITE CORE

VTF1093

Mark No. Description

JA 8651 HEADPHONE JACK
CN 8651 CONNECTOR

Part No.

DKN1281
B4B-PH-K-S

Mark No. Description**CAPACITORS**

C 9501-9506

Part No.

CKSRYB104K25

CAPACITORS

C 8651,8652

CKSRYB104K16

AF ILMR ASSY**SEMICONDUCTORS**

Q 9001,9002

D 9001,9002

D 9003-9008

2SC4081

HZU2R0(B)

NESB017-7404

MISCELLANEOUS

CN 9001,9002 2P TOP POST

B2B-EH

RESISTORS

R 9001,9003

Other Resistors

RS1/16S2401F

RS1/16S###J

CAPACITORS

C 9001,9002

CKSRYB103K50

AG ILM L ASSY**SEMICONDUCTORS**

Q 9051,9052

D 9051,9052

D 9053-9058

2SC4081

HZU2R0(B)

NESB017-7404

MISCELLANEOUS

CN 9051 2P TOP POST

B2B-EH

RESISTORS

R 9051,9053

Other Resistors

RS1/16S2401F

RS1/16S###J

CAPACITORS

C 9051,9052

CKSRYB103K50

COVER PCB**MISCELLANEOUS**

0 COVER PCB

DWX2793

POWER SUPPLY UNIT

Power Supply assembly has no service part.

AC ACSW ASSY**MISCELLANEOUS**

△ S 9101 SWITCH

△ CN 9101 CONNECTOR2P

△ 9101 CONNECTOR ASS'Y

DSA1033

2-178496-4

DKP3799

CAPACITORS

△ C 9101

ACG7033

AD PDIV ASSY**MISCELLANEOUS**

KN 9151 WRAPPING TERMINAL

CN 9151 CONNECTOR POST

CN 9152 CONNECTOR

CN 9153 CONNECTOR

CN 9154 5P TOP POST

VNF1084

B5B-PH-K-S

B15B-PH-K-S

B7B-EH

B5B-EH

CN 9155 CONNECTOR

CN 9156 8P TOP POST

CN 9157 2P TOP POST

B9B-PH-K-S

B8B-EH

B2B-EH

RESISTORS

All Resistors

RS1/10S###J

MISCELLANEOUS

JH 9151 9P CABLE HOLDER

△ P 9153,9194 PROTECTOR(200MA)

△ P 9157 PROTECTOR(1.25A)

△ P 9191-9193,9199 PROTECTOR(630MA)

△ P 9195 PROTECTOR(1.6A)

51048-0900

AEK7023

AEK7010

AEK7006

AEK7012

△ P 9196 PROTECTOR(2A)

△ P 9197 PROTECTOR(2.5A)

△ P 9198 PROTECTOR(800MA)

AEK7013

AEK7014

AEK7008

CAPACITORS

C 9151

C 9152

C 9153,9154,9162,9166

C 9161

C 9165,9168,9170

CEHAT471M25

CEHAT471M10

CKSRYB104K25

CEHAT221M10

CEHAT101M25

C 9167,9169

CKSRYB104K25

AE REG ASSY**SEMICONDUCTORS**

△ IC 9501

△ IC 9502

△ IC 9503

D 9501,9502

NJM7815FA

NJM79M15FA

NJM78M05FA

RB501V-40

MISCELLANEOUS

J 0 JUMPER WIRE

JH 9501 9P CABLE HOLDER

D20PYY0910E

51048-0900