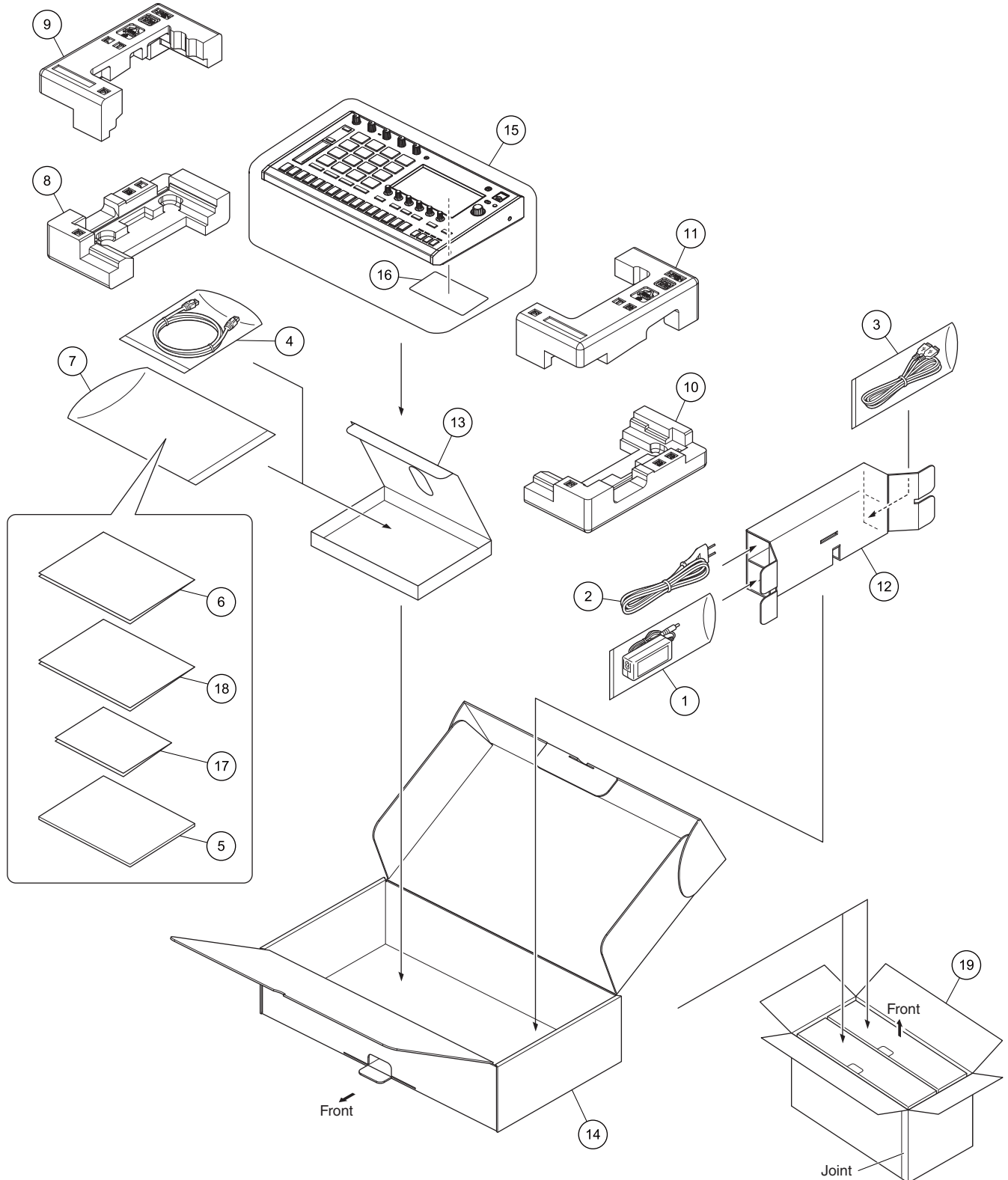


9. EXPLODED VIEWS AND PARTS LIST

- NOTES:
- Parts marked by "NSP" are generally unavailable because they are not in our Master Spare Parts List.
 - The \triangle mark found on some component parts indicates the importance of the safety factor of the part. Therefore, when replacing, be sure to use parts of identical designation.
 - Screws adjacent to ∇ mark on product are used for disassembly.
 - For the applying amount of lubricants or glue, follow the instructions in this manual. (In the case of no amount instructions, apply as you think it appropriate.)

9.1 PACKING SECTION



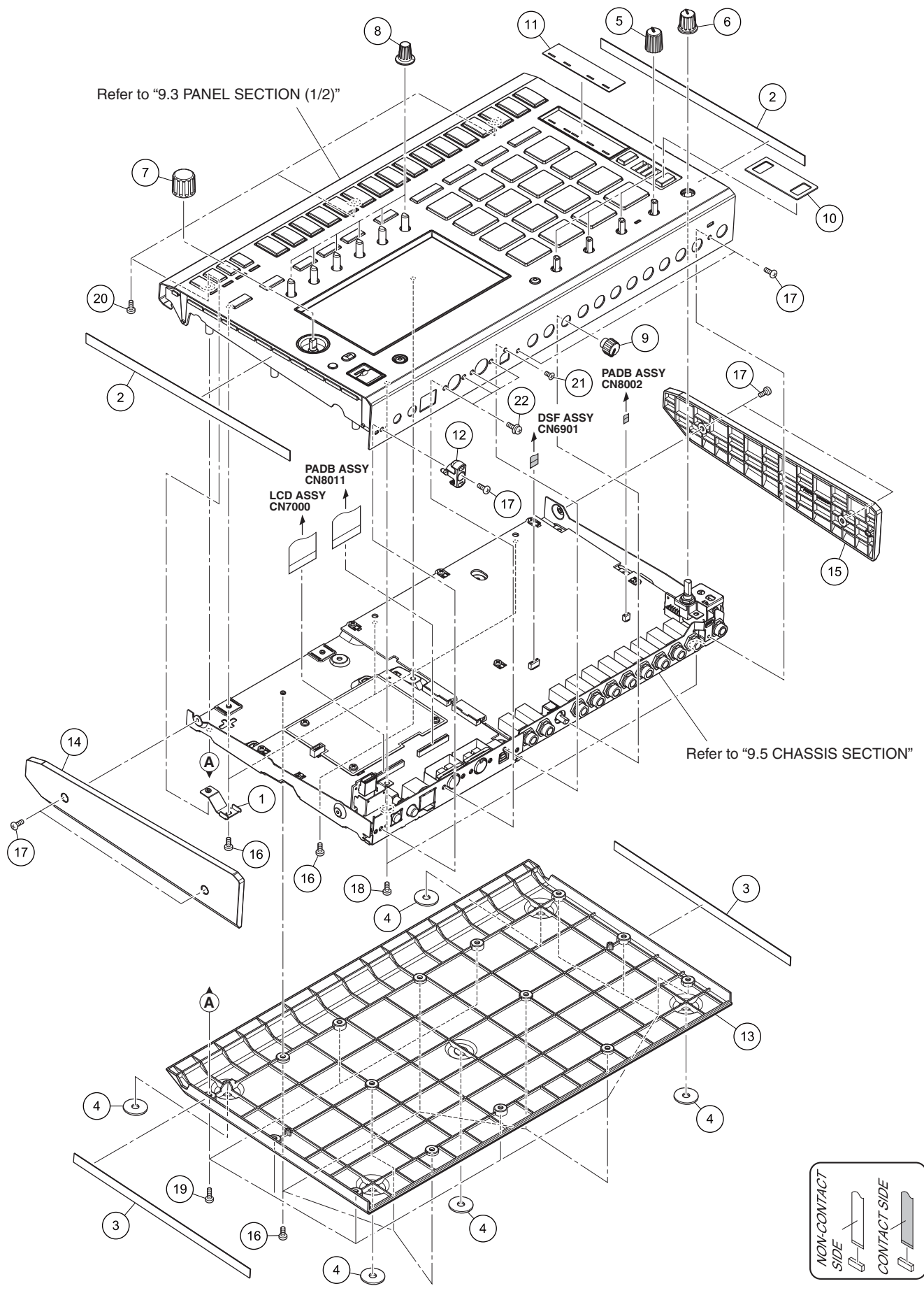
(1) PACKING SECTION PARTS LIST

<u>Mark No.</u>	<u>Description</u>	<u>Part No.</u>
	1 AC Adapter	DWR1553
A	⚠ 2 Power Cord	See Contrast table (2)
	3 USB Cable	DDE1128
	4 LAN Cable	DDE1141
	5 Operating Instructions (Quick Start Guide)	See Contrast table (2)
	6 Software License Notice	See Contrast table (2)
NSP	7 Polyethylene Bag	AHG7117
	8 Packing Pad	DHA1945
	9 Packing Pad	DHA1946
B	10 Packing Pad	DHA1947
	11 Packing Pad	DHA1948
	12 Packing Board	DHC1088
	13 Packing Board	DHC1089
	14 Packing Case	See Contrast table (2)
	15 Sheet	RHX1006
NSP	16 Name Label	See Contrast table (2)
NSP	17 Warranty	See Contrast table (2)
	18 Software License Notice (Fr)	See Contrast table (2)
C	19 Master Carton	See Contrast table (2)

(2) CONTRAST TABLE

SYXJ, UXJCB and AXJ are constructed the same except for the following:

<u>Mark</u>	<u>No.</u>	<u>Symbol and Description</u>	<u>SYXJ</u>	<u>UXJCB</u>	<u>AXJ</u>
	2	⚠ Power Cord	ADG1154	XDG3052	ADG7079
	5	Operating Instructions (Quick Start Guide)	DRH1360	DRH1359	DRH1361
	6	Software License Notice	DRH1390	DRH1390	DRH1403
	14	Packing Case	DHG3448	DHG3490	DHG3492
NSP	16	Name Label	Not used	Not used	DAL1348
D	NSP	17	Warranty	DRY1270	Not used
	18	Software License Notice (Fr)	DRH1391	DRH1391	Not used
	19	Master Carton	DHG3452	DHG3493	DHG3495

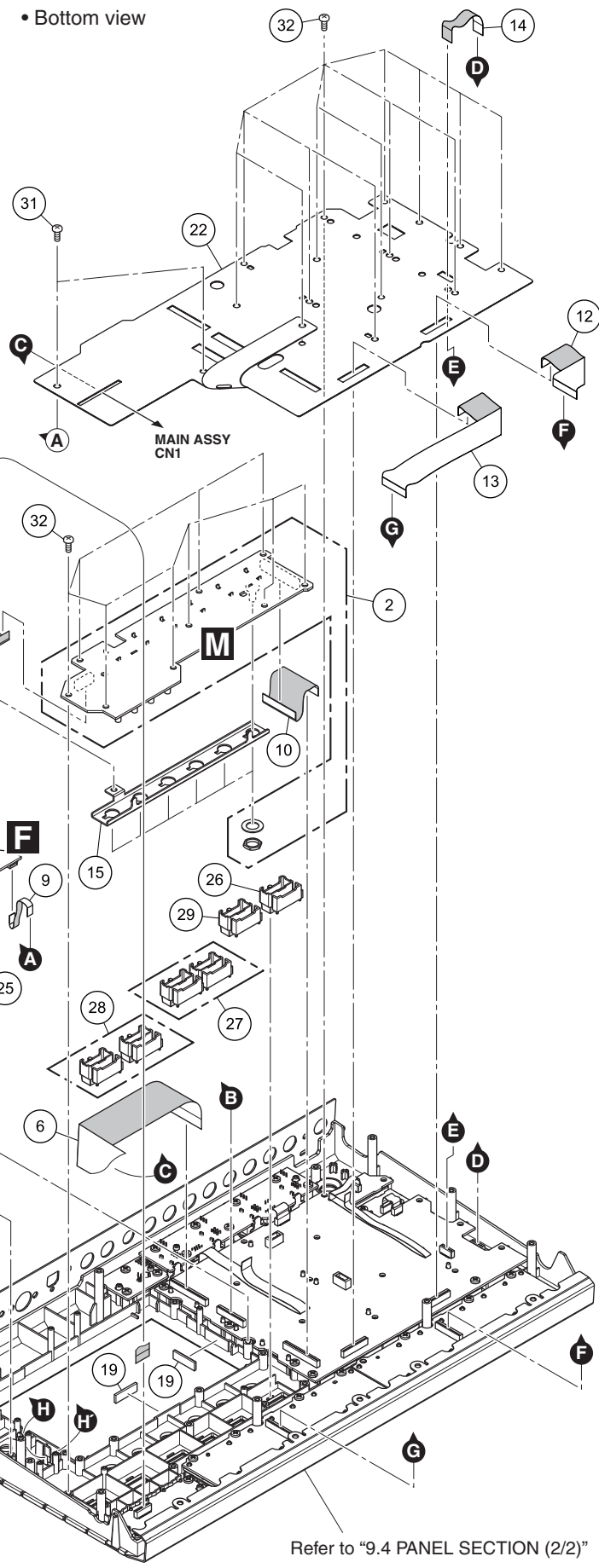
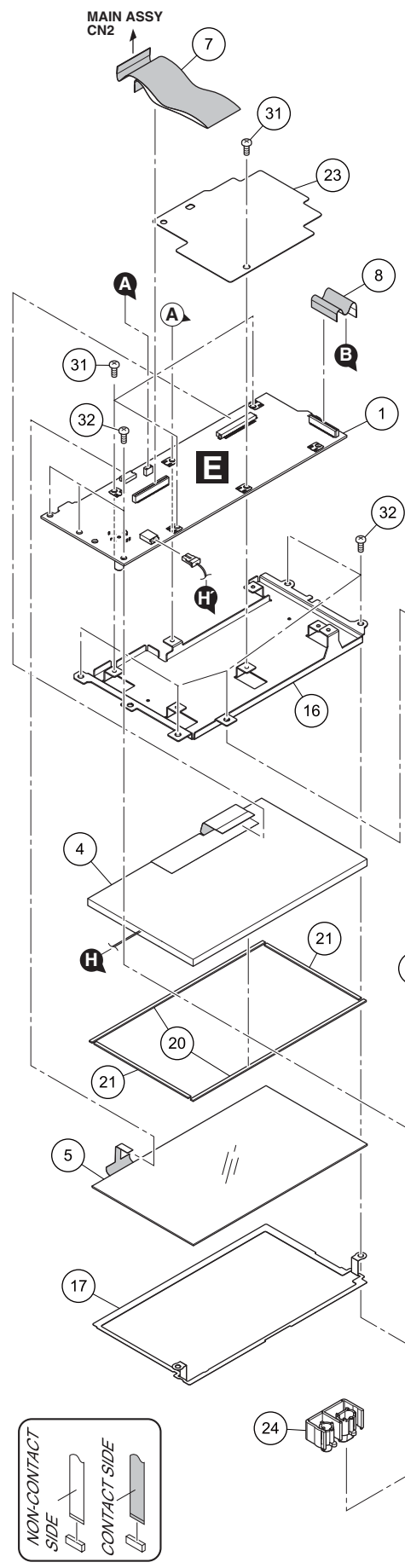


EXTERIOR SECTION PARTS LIST

<u>Mark No.</u>	<u>Description</u>	<u>Part No.</u>
A	1 Plate	DNF1993
	2 Cushion	DEC3724
	3 Cushion	DEC3725
	4 Cushion	DEC3177
	5 Rotary SW Knob (HM)	DAA1256
	6 Knob	DAA1370
	7 Knob/BRS	DAA1342
	8 Knob	DAA1358
	9 Knob	DAA1369
	10 Panel	DAH3090
B	11 Sheet	DEC3662
	12 Hook	DNK6664
	13 Cover	DAH3095
	14 Panel	DNK6641
	15 Panel	DNK6642
	16 Screw	BBZ30P060FTB
	17 Screw	BBZ30P080FTB
	18 Screw	BPZ30P080FNI
	19 Screw	BPZ30P100FTB
C	20 Screw (Fe)	DBA1290
	21 Screw (M3x5)	DBA1340
	22 Screw	PMH30P100FTB

5 6 7 8

9.3 PANEL SECTION (1/2)



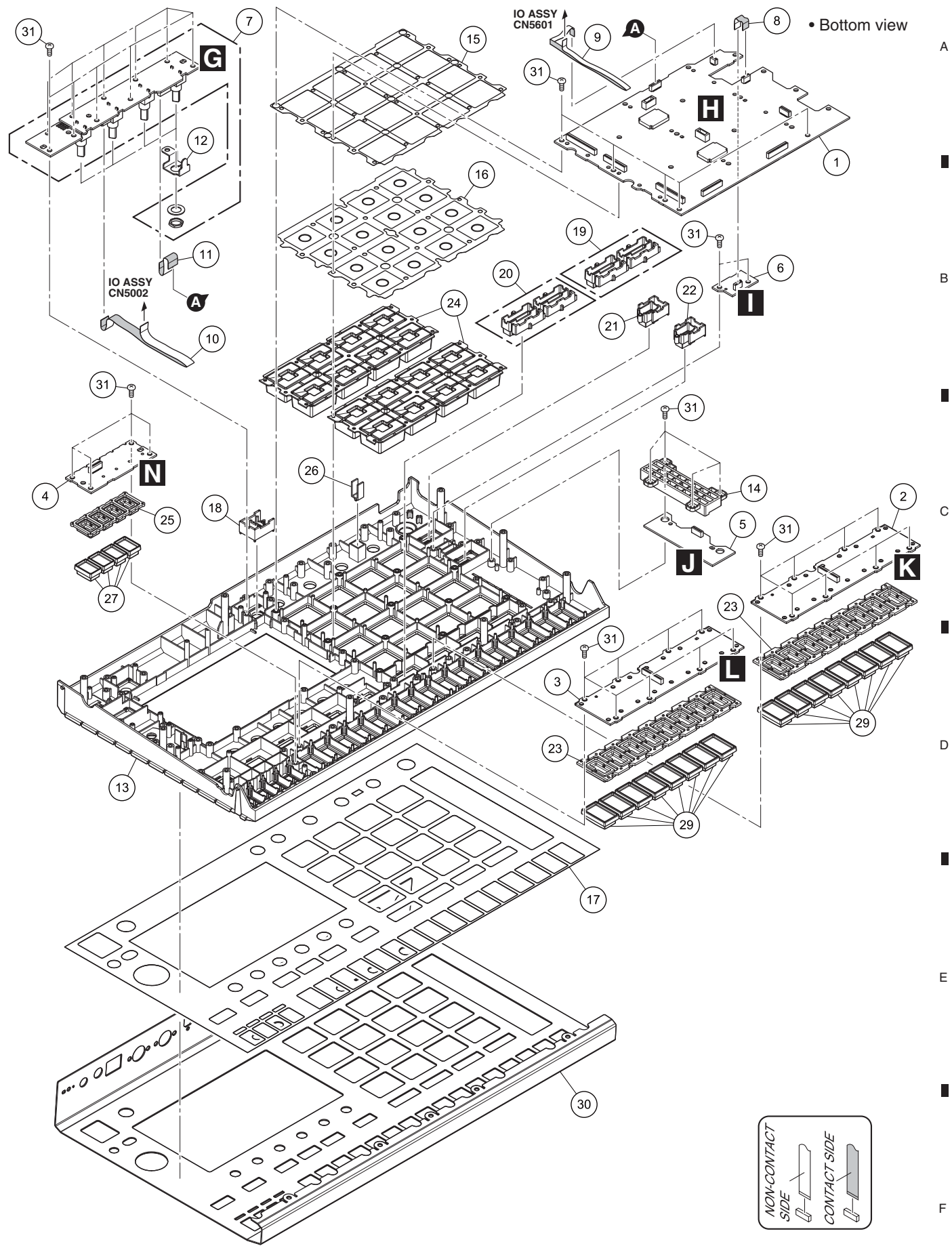
PANEL SECTION (1/2) SECTION PARTS LIST

<u>Mark No.</u>	<u>Description</u>	<u>Part No.</u>
A	1 LCD ASSY	DWX3867
	2 PARA ASSY	DWX3874
	3 STBY ASSY	DWX3876
	4 TFT LCD	CWX4352
	5 Touch Panel	DSX1128
	6 FFC	DDD1753
	7 FFC	DDD1754
	8 FFC	DDD1755
	9 FFC	DDD1756
	10 FFC	DDD1757
B	11 FFC	DDD1758
	12 FFC	DDD1759
	13 FFC	DDD1760
	14 FFC	DDD1761
	15 Stay	DNF1986
	16 Stay	DNF1985
	17 Plate/GND	DNH3173
	18 Panel	DNK6623
	19 Packing/LCD	DEC3565
C	20 Packing/L	DEC3568
	21 Packing/S	DEC3569
	22 Shield Sheet	DEC3665
	23 Sheet	DEC3720
	24 Button/BAK	DAC3017
	25 Button/REL	DAC3030
	26 Button	DAC3199
	27 Button	DAC3200
	28 Button	DAC3201
D	29 Button	DAC3237
	30 Door	DNK6497
	31 Screw	BBZ30P060FTB
	32 Screw	BPZ30P080FNI

E

F

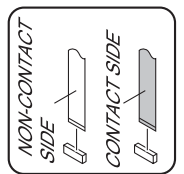
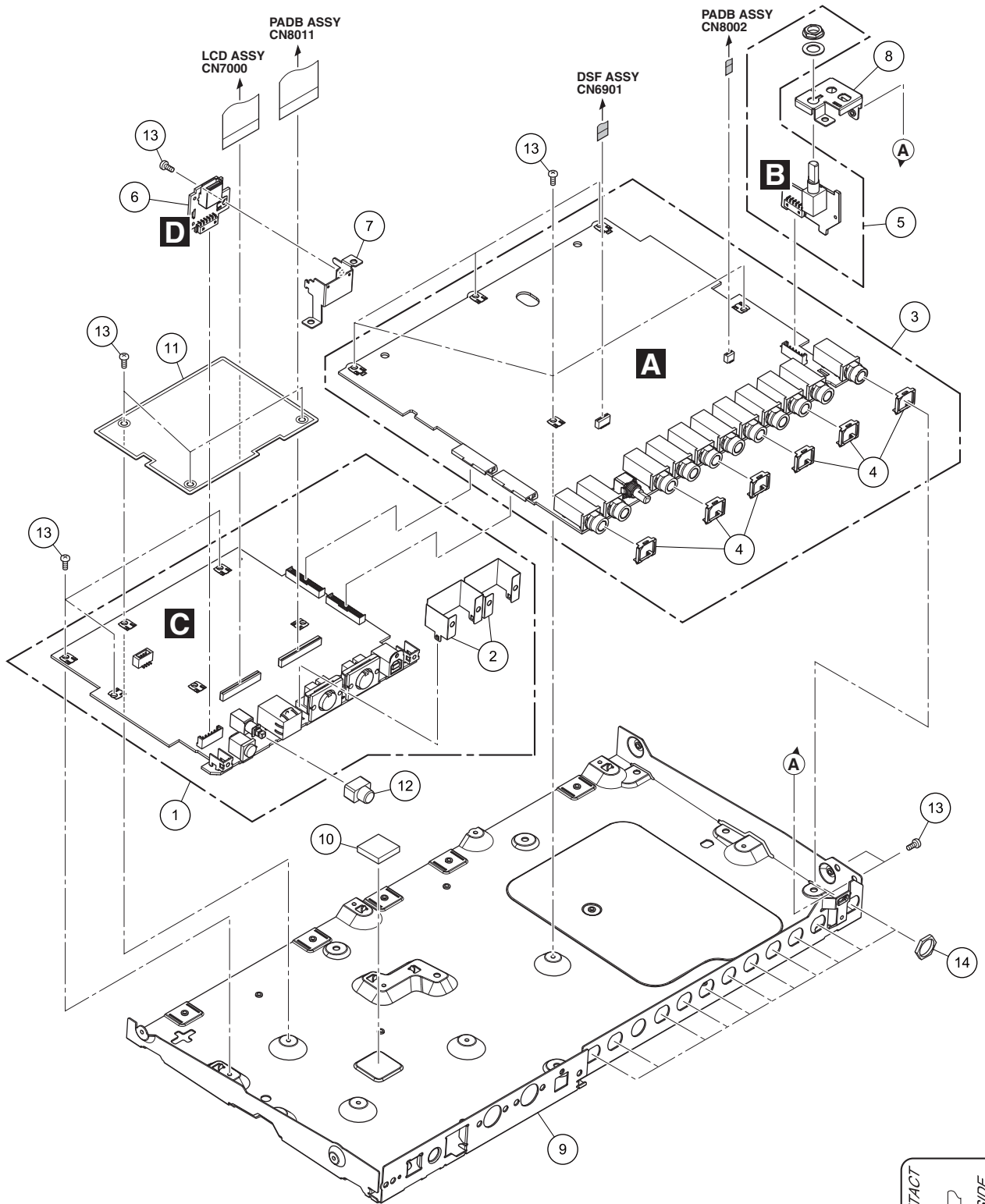
9.4 PANEL SECTION (2/2)



PANEL SECTION (2/2) SECTION PARTS LIST

<u>Mark No.</u>	<u>Description</u>	<u>Part No.</u>
A 1	PADB ASSY	DWX3869
2	SEQ1 ASSY	DWX3870
3	SEQ2 ASSY	DWX3871
4	BAR ASSY	DWX3872
5	CDC ASSY	DWX3873
6	MODE ASSY	DWX3878
7	DSF ASSY	DWX3875
8	FFC	DDD1762
9	FFC	DDD1763
10	FFC	DDD1765
B 11	10P FFC	DDD1533
12	Stay	DNF1988
13	Stay ASSY	DEA1060
14	Holder	DNK6608
15	Sheet	DEC3663
16	Sensor	DEC3664
17	DS Tape	DEH1084
18	Button/REL	DAC3030
19	Button	DAC3197
C 20	Button	DAC3198
21	Button	DAC3202
22	Button	DAC3203
23	Button	DEB2033
24	Button	DEB2037
25	Button	DEB2039
26	Lens/MIC	DNK6308
27	Cap	DNK6609
28	•••••	
D 29	Cap	DNK6624
30	Control Panel	DAH3089
31	Screw	BPZ30P080FNI

9.5 CHASSIS SECTION



CHASSIS SECTION PARTS LIST

<u>Mark No.</u>	<u>Description</u>	<u>Part No.</u>
A	1 MAIN ASSY	DWX3864
	2 Shield Case (MIDI)	DNH2736
	3 IO ASSY	DWX3865
	4 Phone Shield	DNF1875
	5 MVR ASSY	DWX3866
B	6 USBA ASSY	DWX3868
	7 Stay	DNF1987
	8 Stay	DNF1989
	9 Chassis	DNA1461
	10 Heat Cond Sheet	DEB2040
C	11 Sheet	DEC3702
	12 Knob	DNK6607
	13 Screw	BBZ30P060FTB
	14 Nut (M12)	NKX2FNI

12. PCB PARTS LIST

NOTES: ● Parts marked by "NSP" are generally unavailable because they are not in our Master Spare Parts List.

● The Δ mark found on some component parts indicates the importance of the safety factor of the part. Therefore, when replacing, be sure to use parts of identical designation.

● When ordering resistors, first convert resistance values into code form as shown in the following examples.

Ex.1 When there are 2 effective digits (any digit apart from 0), such as 560 ohm and 47 k ohm (tolerance is shown by J = 5%, and K = 10%).

560 Ω → 56 × 10¹ → 561 RD1/APU $\boxed{5}$ $\boxed{6}$ $\boxed{7}$ J

47 k Ω → 47 × 10³ → 473 RD1/APU $\boxed{4}$ $\boxed{7}$ $\boxed{3}$ J

0.5 Ω → R50 RN2H \boxed{R} $\boxed{5}$ $\boxed{0}$ K

1 Ω → 1R0 RS1P $\boxed{7}$ \boxed{R} $\boxed{0}$ K

Ex.2 When there are 3 effective digits (such as in high precision metal film resistors).

5.62 k Ω → 562 × 10¹ → 5621 RN1/4PC $\boxed{5}$ $\boxed{6}$ $\boxed{2}$ $\boxed{1}$ F

Mark	No.	Description	Part No.	Mark	No.	Description	Part No.
LIST OF ASSEMBLIES				IC	6402	IC	NJM4580MD
	1..	MAIN ASSY	DWX3864	IC	6403,6404	IC	NJM13700M
NSP	1..	AUDIO ASSY	DWM2616	IC	6600	CONV IC	AK4452VN
	2..	IO ASSY	DWX3865	IC	6601,6602	IC	NJM4556AD
	2..	MVR ASSY	DWX3866	IC	6603	IC	NJM4580MD
	2..	USBA ASSY	DWX3868	Q	5000,5002	Bipolar TR	LSAR523UB
	1..	LCD ASSY	DWX3867	Q	5001	Bipolar TR	LSCR523UB
NSP	1..	PAD ASSY	DWM2618	Q	5200	Transistor	LTC124EUB
	2..	PADB ASSY	DWX3869	Q	5201,5202	Chip FET	2SK209
	2..	SEQ1 ASSY	DWX3870	Q	5400	Bipolar TR	LSCR523UB
	2..	SEQ2 ASSY	DWX3871	Q	5600-5607	Chip Transistor	INC2002AC1
	2..	BAR ASSY	DWX3872	Q	6201	Bipolar TR	HN1C01FUS1
	2..	CDC ASSY	DWX3873	Q	6202,6203	Bipolar TR	HN1A01FUS1
	2..	MODE ASSY	DWX3878	Q	6204-6207	Bipolar TR	HN1C01FUS1
NSP	1..	SUB ASSY	DWM2619	Q	6208,6209,6216,6218,6225	Bipolar TR	HN1A01FUS1
	2..	PARA ASSY	DWX3874	Q	6210-6215,6217,6219-6224	Bipolar TR	HN1C01FUS1
	2..	DSF ASSY	DWX3875	Q	6226,6228-6230	Bipolar TR	HN1C01FUS1
	2..	STBY ASSY	DWX3876	Q	6227,6231,6232	Bipolar TR	HN1A01FUS1
				Q	6401	Transistor	2SAR502UB
				Q	6600-6603	Chip Transistor	INC2002AC1
				D	5000,5001	Rectifier Diode	DA2J101
				D	5005,5006,5012,5013	Schottky Diode	RB501VM-40
				D	5014	Rectifier Diode	DAN202UM
				D	5200-5203	Schottky Diode	RB501VM-40
				D	5204-5207	Switching Diode	1SS355VM
				D	5208,5209	Rectifier Diode	DA2J101
				D	5210-5213	Switching Diode	1SS355VM
				D	5214-5217	Schottky Diode	RB501VM-40
				D	5400	Rectifier Diode	DA2J101
				D	5600-5607	Zener Diode	DZ2S180C
				D	6200-6204,6402	Rectifier Diode	DA2J101
				MISCELLANEOUS			
Δ	IC	5000-5004 Regulator IC	NJM78M09DL1A	KN	5000-5002	Wrapping Terminal	CKF1089
Δ	IC	5005 IC	UA78M05IKVURG3	RY	5400,6200	Relay	VSR1008
Δ	IC	5006 Regulator IC	UA78M33IKVUG3	VA	5200,5600-5603,6600,6601	Varistors	EZJ21V270RM
Δ	IC	5007 Regulator IC	NJM7805DL1A	VR	5200	Rotary VR	DCS1133
	IC	5008 Logic IC	TC7SZ08FUS1	CN	5000	21P Connector	21P-1.25FJ
	IC	5009,5012,5016 IC	TC7SH08FUS1	CN	5001	21P Connector	21P-1.25FJ
	IC	5200-5202 IC	NJM4580MD	CN	5002	8P Connector	VKN1412
	IC	5203 CONV IC	AK5386VT	CN	5600	B TO B 11Pin Plug	AKM7101
	IC	5400 CONV IC	AK4458VN	CN	5601	4P Connector	VKN1409
	IC	5401-5405,5600-5604 IC	NJM4580MD	JA	5200,5201,5600-5607	MIC Jack	DKN1614
	IC	6000 CONV IC	AK4452VN	JA	6600	Headphone Jack	DKN1622
	IC	6001 CONV IC	AK5386VT				
	IC	6002,6203 IC	NJM4580MD				
	IC	6200,6201 OP AMP IC	NJM8065RB1				
	IC	6202,6204 IC	NJM13700M				
	IC	6400 CONV IC	DAC7811IDGS				
	IC	6401 OP AMP IC	NJMOP1772E				

Mark No. Description Part No.

Mark No. Description Part No.

RESISTORS

A	R	5000	RS1/16SS5601D
	R	5001	RS1/16SS8200D
	R	5002	RS1/16SS1002D
	R	5003,5004	RS1/16SS0R0J
	R	5005,5007	RS1/16SS470J
	R	5008	RS1/16SS8201D
	R	5009	RS1/16SS1001D
	R	5010	RS1/16SS2202D
	R	5011,5013	RS1/16SS0R0J
	R	5014,5015	RS1/16SS220J
	R	5016,5017	RS1/16SS0R0J
	R	5018,5019	RS1/16SS680J
B	R	5020-5022,5025-5028	RS1/16SS220J
	R	5023,5024	RS1/16SS0R0J
	R	5029-5031,5033-5035	RS1/16SS0R0J
	R	5036	RS1/16SS103J
	R	5037,5038	RS1/16SS220J
	R	5039	RS1/16SS0R0J
	R	5040,5208,5209,5212,5213	RS1/10SR0R0J
	R	5224,5225	RS1/16SS473J
	R	5226-5229	RS1/10SR0R0J
	R	5230,5231	RS1/16SS105J
	R	5232,5233	RS1/10SR0R0J
C	R	5240,5246,5401	RS1/16SS0R0J
	R	5241,5244,5400	RS1/16SS101J
	R	5242,5243	RS1/16SS560J
	R	5402-5404	RS1/16SS560J
	R	5405,5406	RS1/16SS0R0J
	R	5407,5417-5420,5456	RS1/16SS103J
	R	5451	RS1/16SS102J
	R	5602,5603,5620-5627	RS1/10SR0R0J
	R	5652-5659	RS1/10SR0R0J
	R	6000	RS1/16SS101J
	R	6001	RS1/16SS0R0J
D	R	6002-6004	RS1/16SS560J
	R	6005,6006	RS1/16SS0R0J
	R	6011,6012	RS1/10SR0R0J
	R	6013,6015-6018	RS1/16SS103J
	R	6023	RS1/16SS0R0J
	R	6024,6027	RS1/16SS101J
	R	6025,6026	RS1/16SS560J
	R	6041,6200	RS1/16SS0R0J
	R	6229,6230	RS1/16SS105J
	R	6400-6402	RS1/16SS220J
	R	6406	RS1/16SS0R0J
E	R	6407	RS1/16SS1801D
	R	6440	RS1/10SR223J
	R	6600	RS1/16SS101J
	R	6602-6604	RS1/16SS560J
	R	6601,6605,6606	RS1/16SS0R0J
	R	6607,6609-6612	RS1/16SS103J
	R	6635,6636	RS1/10SR103J
	R	6637-6640	DCN1203
	R	6645,6646	RS1/10SR0R0J
		Other Resistors	RS1/10SR####D

C	5002,5005	CKSSYB104K10
C	5003	CKSRYB104K25
C	5006,5012,5019	CKSRYB334K25
C	5007	CKSQYB225K16
C	5008,5009,5017	CKSRYB104K16
C	5010,5011	CKSRYB105K16
C	5013,5014	CKSRYB103K50
C	5015,5016	CCSSCH102J50
C	5020	CKSQYB225K16
C	5021-5023	CKSRYB334K25
C	5024,5025,5028-5030	CKSRYB104K16
C	5026,5027	CKSRYB105K16
C	5031,5032	CKSRYB103K50
C	5037,5038,5040,5041,5044	CCSSCH102J50
C	5048,5049,5052,5059	CKSSYB104K16
C	5056,5057	CKSSYB104K10
C	5058	CCSSCH102J50
C	5064	ACE7100
C	5065	ACE7113
C	5066	CCSSCH220J50
C	5200,5201	CCSRCH102J50
C	5202,5203	CCSRCH101J50
C	5204,5205	CEVW220M16
C	5206,5207	CEVW101M16
C	5208,5209	CKSRYB104K25
C	5210,5211	CEVW220M16
C	5212-5215	CKSRYB104K25
C	5218,5219	CEVW220M16
C	5220	CEVW220M6R3
C	5221	CEVW470M6R3
C	5222,5223,5226	CKSSYB104K16
C	5224,5225	CCSSCH102J50
C	5227	CEVW470M6R3
C	5229	CCSRCH102J50
C	5232,5404	CKSSYB103K16
C	5233	CKSRYB102K50
C	5234	CKSRYB104K50
C	5400	CCSRCH102J50
C	5405	CKSRYB105K10
C	5406,5409	CKSSYB104K16
C	5407	CEVW470M6R3
C	5408	CCSSCH102J50
C	5410,5411	CCSRCH271J50
C	5412-5414	CCSSCH102J50
C	5415-5418	CCSRCH121J50
C	5419,5420	CKSSYB104K16
C	5423,5424,5428	CCSSCH102J50
C	5425,5426,5429	CKSSYB104K16
C	5427	CEVW470M6R3
C	5430	CCH1961
C	5431,5432	CCSRCH271J50
C	5433-5435	CEVW101M16
C	5436-5439	CCSRCH121J50
C	5440,5441	CCSRCH821J50
C	5442	CEVW101M16
C	5421,5422,5443,5444	CKSRYB104K25
C	5445-5448	CCSRCH681J50
C	5449,5450,5455,5457,5462,5463	CKSRYB104K25
C	5451	CCSSCH101J50

CAPACITORS

C	5000	CKSSYB104K16
C	5001,5004	CCH1565

Mark	No.	Description	Part No.
C	5452,5453		CCSRCH271J50
C	5458-5461		CCSRCH121J50
C	5600-5603		CEVW101M16
C	5604,5605		CKSRYP104K25
C	5606,5607		CEVW220M16
C	5608-5615		CKSRYP104K25
C	5616-5623		CEVW101M16
C	5624-5631		ACE7116
C	5632,5634,5636,5638		CKSRYP102K50
C	5633,5635,5637,5639		CKSRYP104K50
C	6000		CKSSYB103K16
C	6001,6002		CEVW220M16
C	6003		CKSRYP105K10
C	6004		CKSSYB104K16
C	6005,6009		CEVW470M6R3
C	6006,6008,6013		CCSSCH102J50
C	6007,6011,6012		CKSSYB104K16
C	6010		CEVW220M6R3
C	6015		CCSRCH102J50
C	6018-6020		CCSSCH102J50
C	6021-6023		CKSSYB104K16
C	6024-6026		CEVW470M6R3
C	6029		CCSRCH102J50
C	6031		CKSSYB103K16
C	6032,6033		CCSRCH821J50
C	6034-6037		CCSRCH681J50
C	6038,6039,6204,6205,6210,6211		CKSRYP104K25
C	6200,6201		CEVW220M16
C	6202,6203		CCSRCH182J50
C	6206,6207		CCSRCH181J50
C	6208,6209		CCSRCH182J50
C	6212-6214		CEVW101M16
C	6215-6218		CCSRCH182J50
C	6219-6222		CEVW220M16
C	6223,6224,6227-6230		CKSRYP104K25
C	6400		DCH1263
C	6401,6403,6405,6406		CKSSYB104K16
C	6402		DCH1263
C	6407,6408,6411,6412		CKSRYP104K25
C	6409,6410		CEVWNP220M16
C	6413,6414,6417,6418		CCSRCH331J50
C	6415,6416		CKSRYP104K25
C	6419		CKSRYP105K16
C	6600		CKSSYB103K16
C	6601		CKSRYP105K10
C	6602,6605		CKSSYB104K16
C	6603		CEVW470M6R3
C	6604		CCSSCH102J50
C	6606,6608		CEVW101M16
C	6607,6614,6615		CCSSCH102J50
C	6611		CCSRCH102J50
C	6613,6620		CCH1565
C	6616,6617		CEVW220M16
C	6618,6619		CKSSYB104K16
C	6621,6622		CEVW470M6R3
C	6623,6624		CCSRCH271J50
C	6625-6628		CKSRYP104K25
C	6629-6632		CCSRCH121J50
C	6633,6634		CKSRYP104K25

Mark	No.	Description	Part No.
C	6637,6638		ACE7113
C	6639		CKSRYP102K50
C	6640		CKSRYP104K50

B MVR ASSY

MISCELLANEOUS

VR	6800 Rotary VR	DCS1134
CN	6800 B To B 11pin Jack	AKN7067

CAPACITORS

C	6800	CKSRYP104K50
---	------	--------------

C MAIN ASSY

SEMICONDUCTORS

⚠	IC	200 Regulator IC	MM1856A50N
⚠	IC	201,202,500 DC/DC CONV IC	MM3543BH
⚠	IC	203 Regulator IC	NJM2872BF33
⚠	IC	501 DC/DC CONV IC	NJW4155GM1-A
	IC	502 IC	TPS2557DRB
⚠	IC	800 Po Supply IC	MMPF0100FOAEP
	IC	2000 U-PRO IC	MCIMX6Q5EYM10AD
	IC	2300,2301 RAM IC	K4B4G1646D-BCMA
NSP	IC	2601 Flash ROM	DYW1941*
	IC	2602 Interface IC	LAN8720A-CP
	IC	2903,2904,3201 IC	TC7SH08FUS1
	IC	3203 Photo Coupler	TLP2368
⚠	IC	3500 LDO Regulator(3.3V)	NJM2831F33
	IC	3502 IC	CY2302SXI-1
	IC	3503 Logic IC	TC7SZU04FUS1
	IC	3509 Logic IC	TC7SZ08FUS1
	IC	3800 Flash Memory IC	THGBMHG6C1LBAWL
	IC	4100 IC	S2R72V27
	Q	200,201,202 Bipolar TR	LSAR523UB
⚠	Q	204 FET	RSQ035P03
	Q	206 Resistor Built-IN TR	LTC014EEB
	Q	207 Resistor Built-IN TR	LTC024EEB
⚠	Q	209 FET	RTQ040P02
	Q	210,211 Bipolar TR	LSCR523UB
	Q	212 Resistor Built-IN TR	LTC024EEB
	Q	213 Bipolar TR	LSCR523UB
⚠	Q	214 FET	RSQ035P03
	Q	500,501 Resistor Built-IN TR	LTC014EEB
⚠	Q	502 FET	RTQ040P02
	Q	503 Chip Transistor	RN1903
	Q	504,505 Bipolar TR	LSCR523UB
	Q	506 Resistor Built-IN TR	LTC024EEB
	Q	507 Bipolar TR	LSCR523UB
	Q	508 Bipolar TR	LSAR523UB
	Q	509 Bipolar TR	LSCR523UB
	Q	2903 Chip Digital Trans.	LTA124EUB
	Q	3202,3203,3204 Transistor	RT1N241M
	Q	3500 Transistor	RT1N141M-11

*Part number of the initial firmware equipped

Mark	No.	Description	Part No.	Mark	No.	Description	Part No.
	D	200,201,202 Rectifier Diode	DA2J101	R	508		RS1/16SS1000D
	D	204 Diode	RB060M-30	R	509		RS1/16SS2201D
				R	510		RS1/4SA0R0J
A	D	206 Rectifier Diode	DA2J101				
	D	207 Zener Diode	DZ2J150M0	R	512		RS1/16SS2201D
	D	208 Rectifier Diode	DA2J101	R	513		RS1/16SS8202D
	D	209 Zener Diode	DZ2J051M0	R	515		RS1/16SS1801D
	D	210,211,500 Rectifier Diode	DA2J101	R	516		RS1/16SS2201D
				R	517		RS1/16SS5602D
	D	501 Diode	RB060M-30				
	D	503,504 Diode	RB160M-30	R	520		RS1/4SA0R0J
	D	505 Zener Diode	DZ2J056M0	R	521		RS1/10SR331J
	D	3204,3205,3206 Switching Diode	1SS355VM	R	523		RS1/16SS3302D
				R	524		RS1/16SS2401D
				R	533		RS1/4SA0R0J

MISCELLANEOUS

B	L	6 Chip Beeds Filter	BTX1042	R	801		RS1/16SS1002F
	L	201,202 SMD SPL Inductor	CTH1524	R	805		RS1/16SS6802F
	L	500 Choke Coil	CTH1561	R	808		RS1/16SS6802F
	L	501 SMD SPL Inductor	CTH1527	R	809,812		RS1/10SR0R0J
	L	502 Coil	ATH7015	R	811		RS1/16SS1002F
	L	801-806 SMD SPL Inductor	CTH1530	R	818,821,822		RS1/4SA0R0J
	L	2600 Inductor	CTF1629	R	825,827		RS1/10SR0R0J
	L	2601,2602 Choke Coil	ATH7098	R	833		RS1/10SR472J
	L	4100 Coil	ATH7015	R	2006		RS1/10SR0R0J
	X	3500 Crystal Oscillator	ASS7101	R	2007		RS1/16SS2400F
C	X	3501 Resonator	CSS1807	R	2302,2303		RS1/16SS1001D
	X	3502,4100 Resonator	CSS1808	R	2304		RS1/16SS2400F
	F	2600 EMI Filter	CGG1352	R	2307		RS1/16SS2400F
	F	2601 EMI Filter	DTL1106	R	2612		RAB4CQ680J
	KN	200,201 Screw Plate	VNE1948	R	2623		RAB4CQ680J
	KN	202-206,208 Wrapping Terminal	CKF1089	R	2637,2638		RAB4CQ220J
	S	200 Push Sw	ASG1102	R	2651		RS1/16SS1002D
	VA	200 Varistors	EZJZ1V270RM	R	2652		RS1/16SS1501F
	CN	1 32P Connector	VKN1436	R	2653,2654,2656,2657		RS1/10SR49R9F
	CN	2 30P Connector	VKN1434	R	2664-2667		RS1/10SR0R0J
	CN	3,4 21P Connector	21R-1.25FJ	R	3230-3233		RAB4CQ472J
D	CN	3501 B TO B 11Pin Plug	AKM7101	R	3237		RAB4CQ103J
	JA	200 DC Power Jack	DKN1649	R	3242,3247,3252		RAB4CQ103J
	JA	2600 RJ45 Connector	AKN7115	R	3258-3261		RS1/10SR0R0J
	JA	3200,3201 Connector	DKN1188	R	3262-3264		RS1/4SA221J
	JA	4100 USB Connector	DKN1237	R	3265		RS1/10SR0R0J
				R	3271-3276		RAB4CQ101J
				R	3281,3284,3285,3502		RS1/10SR0R0J
				R	3504,3516,3521,3538,4100,4101		RS1/10SR0R0J
				R	4102,4103,4106,4107		RAB4CQ220J

RESISTORS

	R	201	RS1/16SS2201D				
	R	203	RS1/16SS2701D				
	R	204	RS1/16SS4700D	R	4112		RS1/16SS6201F
	R	205	RS1/16SS2201D	R	4113-4115,4118,4119		RS1/10SR0R0J
E	R	206	RS1/16SS2200D	R	4123		RS1/10SR102J
					Other Resistors		RS1/16SS###J

CAPACITORS

	R	207	RS1/16SS1502D	C	1-3,10		CCSSCH102J50
	R	210	RS1/16SS3301D	C	6-9		CKSRYB104K25
	R	212	RS1/16SS2202D	C	200-202		CKSSYB104K10
	R	250,255,256	RS1/8SQ0R0J	C	203		ACE7114
	R	269,272	RS1/16SS1002D	C	207		DCE1029
	R	270	RS1/16SS1801D	C	211		CKSRYB104K25
	R	271	RS1/16SS2201D	C	213		CKSQYB105K25
	R	273	RS1/16SS1501D	C	214		CKSSYB104K16
	R	274	RS1/16SS2701D	C	215		CKSRYB104K25
F	R	278,279,282,283	RS1/8SQ0R0J	C	216		CCH1680
	R	500	RS1/10SR0R0J				
	R	507	RS1/16SS1202D				

Mark	No.	Description	Part No.
C	218		CKSRYP105K16
C	219		CKSRYP103K50
C	220		CKSRYP104K25
C	221		CKSRYP105K10
C	222,223		DCH1263
C	225,226		CKSSYP104K16
C	228,229		CCSSCH102J50
C	234,235		CKSSYP104K16
C	237,238		CKSRYP153K50
C	240,241		CKSSYP104K16
C	243		CCSSCH561J50
C	244		CCSSCH681J50
C	252,253		CCSSCH102J50
C	255,256		CKSSYP104K10
C	258,259,261,262		CCG1192
C	272		CKSRYP105K10
C	273		CKSSYP103K16
C	500		CKSRYP105K16
C	501		DCH1263
C	502		CKSQYP105K25
C	503		CKSSYP104K16
C	504		CKSRYP104K25
C	505		CKSRYP153K50
C	506		CKSSYP104K16
C	507		CCSSCH561J50
C	512,514		DCH1263
C	513,515		CCG1192
C	517		CCG1288
C	519		CCSSCH820J50
C	521,522		CCG1254
C	524		CCG1192
C	525,526		CKSSYP104K16
C	527		CEVW101M16
C	528		CKSSYP104K16
C	529,531		CCSSCH102J50
C	532		CKSSYP104K10
C	802,805,809		CKSRYP105K16
C	803		CKSRYP474K10
C	804,807,811,814,816		CKSSYP104K16
C	806		CKSRYP224K16
C	808		CCG1192
C	810,812,815,817,820,821,824,838,842		CCG1201
C	813		CKSRYP474K10
C	818,819,823,825,827,832,835		CKSSYP104K16
C	826,828-831,834,836,837,839,840,847,849		DCH1256
C	2000,2009,2013,2017		DCH1256
C	2001-2008		CKSSYP224K6R3
C	2010-2012,2014-2016,2018,2019		CKSSYP224K6R3
C	2020		CCG1192
C	2021-2025,2027-2029		CKSSYP224K6R3
C	2026,2032		DCH1256
C	2030,2031,2033-2037,2039		CKSSYP224K6R3
C	2038		CKSSYP104K16
C	2040,2042,2046,2048		DCH1256
C	2041,2043-2045,2047,2049-2054		CKSSYP224K6R3
C	2300-2305		CKSSYP224K6R3
C	2306		CKSSYP104K16
C	2307,2325		CCG1192
C	2308,2309		CKSSYP105K6R3

Mark	No.	Description	Part No.
C	2310,2311,2324		CKSSYP104K16
C	2312-2323,2326-2331,2600		CKSSYP224K6R3
C	2601,2602		CCSSCH102J50
C	2603		CCG1192
C	2604		CKSSYP104K16
C	2605		CKSSYP105K6R3
C	2606		CKSSYP471K50
C	2607		CCG1192
C	2608		CKSSYP103K16
C	2609		CCG1201
C	2610,2611		CKSSYP104K16
C	2620		CKSRYP223K50
C	2622		CCSSCH470J50
C	2905,2908,2912		CKSSYP104K16
C	3201		CKSSYP471K50
C	3202,3203,3207,3504		CKSSYP103K16
C	3206,3500,3502		CKSSYP104K16
C	3503		CCG1218
C	3505		CKSSYP104K10
C	3506,3507		CKSSYP104K16
C	3508,3509		CCSSCH100D50
C	3511,3512		CCSSCH5R0C50
C	3513,3523		CKSSYP103K16
C	3525		CKSSYP104K16
C	3800-3802		CCG1218
C	3803		CKSSYP105K6R3
C	3804-3808,3810		CKSSYP104K16
C	3809		CKSSYP103K16
C	4100,4102		DCH1201
C	4101,4103-4114		CKSSYP104K16
C	4115		CCSSCH120J50
C	4116,4119		CKSRYP105K10
C	4117,4118		CKSSYP104K16
C	4120,4121,4124		DCH1201
C	4122		CCSSCH120J50
C	4123		CKSRYP105K10
C	4125		CKSSYP104K16

D USBA ASSY

MISCELLANEOUS

KN	7600 Wrapping Terminal	CKF1089
CN	7601 B To B 11Pin Jack	AKN7067
JA	7600 USB Jack	DKB1118

CAPACITORS

C	7600	CCH1565
C	7601	CCG1192
C	7602	CKSSYP103K16
C	7603	CKSSYP102K50

E LCD ASSY

SEMICONDUCTORS

IC	7000 Interface IC	BU90R104
----	-------------------	----------

Mark	No.	Description	Part No.	Mark	No.	Description	Part No.
	IC	7100 DC/DC CONV IC	R1290K103A	R	7322		RS1/16SS75R0F
⚠	IC	7101 Driver IC	BD81A04EFV-M				
⚠	IC	7300-7302 IC	TC74LCX541FK	R	7323		RS1/16SS1300D
A	Q	7100 Transistor	2SA1577	R	7324		RS1/16SS82R0D
				R	7325		RS1/16SS47R0D
	Q	7101 Resistor Built-IN TR	LTC024EEB	R	7326		RS1/16SS56R0D
	Q	7102 Resistor Built-IN TR	LTA024EEB	R	7327		RS1/16SS1800D
	Q	7500 Transistor	LTC123JUB				
	D	7100-7102 Schottky Diode	DB3S308F0	R	7328		RS1/16SS82R0D
	D	7103 Schottky Diode	DB2J41100	R	7336,7345		RS1/10SR0R0J
				R	7346		RS1/16SS1001D
	D	7104 Diode	RB060M-30	R	7348		RS1/16SS8200D
	D	7500-7504,7506,7507,7509-7512 Rectifier Diode	DA2J101	R	7375,7376		RS1/10SR0R0J
	D	7505,7508,7513 Green LED	SML-D12M8W(NP)				
				R	7513-7515		RS1/10SR271J
					Other Resistors		RS1/16SS###J

MISCELLANEOUS

L	7000 Chip Beeds Filter	BTX1047
L	7001,7002 Chip Solid Inductor	XTL3010
L	7003,7302-7308 Chip Beads	VTL1126
L	7101 Choke Coil	CTH1426
L	7103 Inductor	CTF1545
L	7104 Power Inductor	ATH7068
L	7106,7311 Chip Beeds Filter	BTX1042
L	7300 Inductor	CTF1635
L	7301,7310 Chip Inductor(10u)	DTL1105
L	7309 Inductor	LCTAW101J2520
L	7312-7325 Chip Beads	VTL1126
KN	7005 Wrapping Terminal	CKF1089
S	9311,9315 Tact Switch	DSG1134
S	9321 Encoder SW	DSX1080
CN	7000 30P Connector	VKN1434
CN	7100 Connector	CKS4428
CN	7300 FFC/FPC Connector	CKS6646
CN	7500 23P Connector	VKN1427
CN	7501 4P Connector	VKN1409
CN	7502 FFC/FPC Connector	CKS6625

CAPACITORS

C	7000	CCG1192
C	7002,7004,7005,7008,7016,7022,7028	CKSSYB103K16
C	7011	CCG1218
C	7003,7006,7007,7018,7020,7027	CKSSYB104K16
C	7101	CKSSYB102K50
C	7102	CKSRYB105K16
C	7103	CKSSYB105K6R3
C	7105,7106	CKSQYB105K25
C	7107	CCG1201
C	7109	CKSRYB104K25
C	7110,7111	CKSQYB474K25
C	7112,7121,7127	CKSSYB104K16
C	7113	CKSSYB105K6R3
C	7115	CKSSYB224K6R3
C	7116	CKSYB475K16
C	7117	CKSSYB102K50
C	7118	CKSSYB561K50
C	7119,7129	CKSSYB103K16
C	7120	CKSSYB332K50
C	7122,7123	CCG1236
C	7124,7125	CKSSYB102K50
C	7126,7132,7134	CCG1236
C	7130	CCH2090
C	7131	CCH2090
C	7133	CCG1218
C	7136	CKSSYB332K50
C	7139-7142	CCG1254
C	7310	CKSYB475K16
C	7311-7313,7316-7318	CKSSYB104K16
C	7314,7315	CKSRYB105K16
C	7319	CKSSYB105K6R3
C	7320,7322,7335,7336,7344	CKSSYB104K16
C	7327,7338,7339	CKSSYB102K50
C	7332,7349	CCG1236
C	7333	CCG1192
C	7347	CKSQYB225K16
C	7348	CKSSYB103K25
C	7354	CCG1201
C	7355	CKSQYB334K50
C	7356,7360	CKSSYB104K16
C	7357	CKSRYB104K25
C	7367-7370,7372,7376,7377	CCSSCH102J50
C	7371	CKSSYB105K6R3
C	7378	CCG1192

RESISTORS

R	7001-7004	RS1/16SS1000D
R	7102	RS1/16SS3603D
R	7103	RS1/16SS6802D
R	7104	RS1/16SS3901D
R	7109	RS1/16SS1502D
R	7111	RS1/16SS1103D
R	7112	RS1/16SS1002D
R	7114	RS1/16SS8201D
R	7115	RS1/16SS1502D
R	7117,7130,7318	RS1/10SR0R0J
R	7118	RS1/16SS3303D
R	7119	RS1/16SS5601D
R	7120	RS1/16SS3902D
R	7128	RS1/16SS5100F
R	7129	RS1/16SS3302D
R	7131	RS1/16SS2202D
R	7135	RS1/16SS1203D
R	7136	RS1/16SS1602D
R	7306	RS1/16SS39R0D
R	7308	RS1/16SS47R0D
R	7312	RS1/16SS75R0F
R	7319	RS1/16SS1300D
R	7320	RS1/16SS51R0D
R	7321	RS1/16SS39R0D

Mark	No.	Description	Part No.
C	7502		CKSRYB104K16

F STBY ASSY

SEMICONDUCTORS

D	9201 LED	LTL17KRH5D
---	----------	------------

MISCELLANEOUS

S	9200 Tact Switch	DSG1089
CN	9200 4P Connector	VKN1235

RESISTORS

R	9200	RS1/10SR821J
---	------	--------------

G DSF ASSY

SEMICONDUCTORS

IC	6900 OP AMP IC	NJM8065RB1
Q	6900,6901 Transistor	LTC123JUB
D	6900 LED	LTL17KRH5D
D	6901 LED	LTL17KSL5D
D	6902 Zener Diode	DZ2J033M0

MISCELLANEOUS

J	6901,6903,6910,6912 Jumper 5mm	JMPR5R0
J	6902,6904,6906,6909 Jumper 10mm	JMPR10R0
J	6905,6907,6908 Jumper 7.5mm	JMPR7R5
KN	6900-6903 Earth Terminal	AKF7002
S	6900 Tact Switch	DSG1089

VR	6900-6903 Rotary VR	DCS1104
CN	6900 10P Connector	VKN1241
CN	6901 8P Connector	VKN1239

RESISTORS

R	6900	RS1/10SR6800D
R	6901	RS1/10SR8200D
R	6904	RS1/10SR1201D
	Other Resistors	RS1/10SR###J

CAPACITORS

C	6901,6902	CKSRYB104K25
C	6905	CEJQ470M6R3
C	6906	CKSRYB105K10
C	6907-6911	CKSRYB104K16

H PADB ASSY

SEMICONDUCTORS

IC	8001,8002,8004 IC	TC7SH08FUS1
IC	8003 Logic IC	TC7SHU04FUS1
IC	8005 Flash ROM	DYW1939*
	*Parts number of the initial firmware equipped	
IC	8006 IC	S-80927CNMC-G8X

Mark	No.	Description	Part No.
IC	8007 IC		TC7SH08FUS1

IC	8008 Flash ROM	DYW1940*
----	----------------	----------

*Part number of the initial firmware equipped

Q	8000-8031,8034,8037,8040 Bipolar TR	HN1A01FUS1
Q	8032,8043 Resistor Built-IN TR	LTA024EEB
Q	8041 Resistor Built-IN TR	LTC024EEB
Q	8044 Chip Transistor	RN1903

Q	8045,8046,8048,8049,8054,8055 Chip Transistor	2SB1689
Q	8050 Transistor	LTC124EUB
Q	8056 Transistor	RT1N141M-11
Q	8057,8058,8061,8062 Resistor Built-IN TR	LTA023JEB
Q	8059,8060 Resistor Built-IN TR	LTC024EEB

Q	8063-8068,8072-8074 Bipolar TR	LSCR523UB
Q	8075 Chip Transistor	RN1903
Q	8076,8077,8092,8093,8098 Chip Transistor	2SB1689
Q	8078-8080,8082-8090 Bipolar TR	LSCR523UB
Q	8091,8135,8158 Chip Transistor	RN1903

Q	8101,8102,8105-8107 Bipolar TR	LSCR523UB
Q	8118 Bipolar TR	HN1A01FUS1
Q	8122-8130,8134 Transistor	LTC124EUB
Q	8157 Bipolar TR	HN1A01FUS1
Q	8159 Chip Transistor	2SB1689

Q	8161-8163 Bipolar TR	LSCR523UB
Q	8164-8171,8173,8174,8176,8177 Bipolar TR	LSAR523UB
Q	8179,8180,8182,8184,8185,8186 Bipolar TR	LSAR523UB
Q	8188-8190,8192,8195,8196 Bipolar TR	LSAR523UB
Q	8197,8198 Transistor	LTC124EUB

D	8002-8007 Rectifier Diode	DA2J101
D	8008-8023 LED	SMLVN6RGB2UK(B)
D	8024,8025,,8029,8030,8034,8035 LED	SMLE12BC7T(NP)
D	8026,8031,8036,8041,8044 LED	NHSW157B-A17842
D	8039,8040,8049,8053,8061,8064 LED	SMLE12BC7T(NP)

D	8068,8072,8076,8081 LED	SMLE12BC7T(NP)
---	-------------------------	----------------

MISCELLANEOUS

L	8000 Chip Coil	LCTAW330J2520
X	8000 Crystal Resonator	BSS1146
S	8000-8003,9200,9205 Push Switch	CSG1155
CN	8002 4P Connector	VKN1409
CN	8003 9P Connector	VKN1413

CN	8005 10P Connector	VKN1414
CN	8006 30P Connector	VKN1434
CN	8007,8008 21P Connector	VKN1425
CN	8011 32P Connector	VKN1436
CN	8012 23P Connector	VKN1427

CN	8013 6P Connector	VKN1410
----	-------------------	---------

RESISTORS

R	8051,8231	RS1/10SR0R0J
R	8052	RS1/10SR105J
R	8269,8271,8273,8275	RS1/10SR470J
R	8270,8272,8274,8276	RS1/10SR471J
R	8277,8279,8281,8283	RS1/10SR360J

R	8293-8296	RS1/10SR151J
R	8305,8307,8309,8311	RS1/10SR120J
R	8314,8316,8318,8320,8324,8326,8328,8330	RS1/10SR470J
R	8315,8317,8319,8321,8325,8327,8329,8331	RS1/10SR471J
R	8332,8334,8336,8338	RS1/10SR360J

Mark	No.	Description	Part No.
------	-----	-------------	----------

R	8348-8351		RS1/10SR151J
R	8360,8362,8364,8366		RS1/10SR120J
R	8369,8371,8373,8375,8403,8405,8407,8409		RS1/10SR470J
R	8370,8372,8374,8376,8404,8406,8408,8410		RS1/10SR471J
R	8411,8413,8415,8417		RS1/10SR360J

R	8427-8430		RS1/10SR151J
R	8439,8441,8443,8445		RS1/10SR120J
R	8448,8450,8452,8454,8458,8460,8462,8464		RS1/10SR470J
R	8449,8451,8453,8455,8459,8461,8463,8465		RS1/10SR471J
R	8466,8468,8470,8472		RS1/10SR360J

R	8482-8485		RS1/10SR151J
R	8494,8496,8498,8500		RS1/10SR120J
R	8503,8505,8507,8509,8520,8553		RS1/10SR470J
R	8504,8506,8508,8510,8521,8554		RS1/10SR471J
R	8531,8565,8594,8620		RS1/10SR270J

R	8532,8566		RS1/10SR0R0J
R	8584,8609		RS1/10SR470J
R	8585,8610		RS1/10SR471J
R	8595,8621,8729		RS1/10SR0R0J
R	8634-8642		RS1/10SR223J

R	8728,8730-8735		RS1/8SQ0R0J
R	8736,8740		RS1/10SR0R0J
	Other Resistors		RS1/16SS###J

CAPACITORS

C	8000		CEVW101M16
C	8001,8009,8010,8012		CKSRYB104K16
C	8003-8006,8014		CKSSYB104K16
C	8008		CKSRYB105K10
C	8015,8018		CKSSYB102K50

C	8016,8017		CGSSCH120J50
C	8019,8021,8022,8024,8026		CKSSYB104K16
C	8020		DCH1256
C	8023,8032		CKSSYB103K16
C	8025,8027,8029,8030,8033,8034		CKSSYB102K50

C	8028,8038,8042		CKSSYB104K16
C	8031		CKSRYB473K50
C	8037		CEVW101M4
C	8039		CKSSYB471K50
C	8040		CCG1192

C	8041		DCH1256
C	8043-8058,8066		CKSSYB103K16
C	8059,8063,8069,8071		CKSSYB104K16
C	8061,8072-8085		CKSSYB102K50
C	8064,8065,8067,8068,8070		CKSSYB471K50

C	8094		CKSRYB105K10
C	8105,8107		CEVW101M4
C	8106,8108		CKSRYB104K16

I MODE ASSY

SEMICONDUCTORS

Q	9400 Bipolar TR		LSCR523UB
D	9400-9411 Green LED		SML-D12M8W(NP)

MISCELLANEOUS

Mark	No.	Description	Part No.
------	-----	-------------	----------

CN	9400 6P Connector		VKN1410
----	-------------------	--	---------

J CDC ASSY

SEMICONDUCTORS

IC	7700 CDC IC		AD7147ACPZ500RL7
IC	7701 IC		TC7SH08FUS1
D	7700 Zener Diode		DZ2J056M0

MISCELLANEOUS

L	7700 Chip Solid Inductor		XTL3010
CN	7700 9P Connector		VKN1413

RESISTORS

	All Resistors		RS1/16SS###J
--	---------------	--	--------------

CAPACITORS

C	7701		CKSSYB103K16
C	7702,7709		CKSSYB104K16
C	7703		CCG1192
C	7704		CCSRCH221J50
C	7708		CCSRCH101J50

K SEQ1 ASSY

SEMICONDUCTORS

Q	7800 Bipolar TR		LSCR523UB
Q	7801-7808,7811-7818 Bipolar TR		HN1A01FUS1
Q	7809,7810,7819-7824 Bipolar TR		LSCR523UB
D	7801-7808 LED		SMLVN6RGB2UK(B)
D	7851-7858 Rectifier Diode		DA2J101

MISCELLANEOUS

CN	7800 21P Connector		VKN1425
----	--------------------	--	---------

RESISTORS

R	7812,7814,7834,7836,7838,7840		RS1/10SR470J
R	7813,7815,7835,7837,7839,7841		RS1/10SR471J
R	7816,7818,7842,7844		RS1/10SR360J
R	7824,7825,7850,7851		RS1/10SR151J
R	7830,7832,7856,7858		RS1/10SR120J

R	7860,7862,7864,7866,7886,7888		RS1/10SR470J
R	7861,7863,7865,7867,7887,7889		RS1/10SR471J
R	7868,7870		RS1/10SR360J
R	7876,7877,7902,7903		RS1/10SR151J
R	7882,7884		RS1/10SR120J

R	7890,7892,7912,7914		RS1/10SR470J
R	7891,7893,7913,7915		RS1/10SR471J
R	7894,7896		RS1/10SR360J
R	7908,7910		RS1/10SR120J
	Other Resistors		RS1/16SS###J

L SEQ2 ASSY

SEMICONDUCTORS

Mark	No.	Description	Part No.
Q	9700	Bipolar TR	LSCR523UB
Q	9701-9708,9711-9718	Bipolar TR	HN1A01FUS1
Q	9709,9710,9719-9724	Bipolar TR	LSCR523UB
D	9701-9708	LED	SMLVN6RGB2UK(B)
D	9751-9758	Rectifier Diode	DA2J101

MISCELLANEOUS

CN	9700	21P Connector	VKN1425
----	------	---------------	---------

RESISTORS

R	9712,9714,9734,9736,9738,9740	RS1/10SR470J
R	9713,9715,9735,9737,9739,9741	RS1/10SR471J
R	9716,9718,9742,9744	RS1/10SR360J
R	9724,9725,9750,9751	RS1/10SR151J
R	9730,9732,9756,9758	RS1/10SR120J
R	9760,9762,9764,9766,9786,9788	RS1/10SR470J
R	9761,9763,9765,9767,9787,9789	RS1/10SR471J
R	9768,9770	RS1/10SR360J
R	9776,9777,9802,9803	RS1/10SR151J
R	9782,9784	RS1/10SR120J
R	9790,9792,9812,9814	RS1/10SR470J
R	9791,9793,9813,9815	RS1/10SR471J
R	9794,9796	RS1/10SR360J
R	9808,9810	RS1/10SR120J
	Other Resistors	RS1/16SS###J

M PARA ASSY

SEMICONDUCTORS

Q	9000	Transistor	LTC124EUB
Q	9001-9004	Transistor	UMT1N
Q	9005,9007,9009	Chip Transistor	2SB1689
Q	9006,9008	Transistor	LTC124EUB
Q	9017-9021	Bipolar TR	LSCR523UB
Q	9025-9036	Bipolar TR	LSAR523UB
D	9000	Rectifier Diode	DA2J101
D	9001-9004	LED	LTL17KCGP4J
D	9005-9009	Rectifier Diode	DA2J101
D	9019-9024	LED(White)	SLR343WBC7T(MN)
D	9025,9026	LED	LTL17KRH5D
D	9027,9028	LED	LTL17KCGP4J

MISCELLANEOUS

J	9002-9005,9007,9013,9015,9016	Jumper 5mm	JMPR5R0
J	9006,9008,9011,9012,9014,9019,9020	Jumper 7.5mm	JMPR7R5
J	9009	Jumper 10mm	JMPR10R0
J	9018	Jumper 12.5mm	JMPR12R5
S	9001-9006	Rotary Encoder	DSX1136
S	9011-9016	Tact Switch	DSG1089
CN	9000	30P Connector	VKN1261
CN	9001	12P Connector	VKN1243

RESISTORS

	All Resistors	RS1/10SR###J
--	---------------	--------------

CAPACITORS

C	9012	CEJQ101M16
---	------	------------

Mark	No.	Description	Part No.
C	9013		CKSRYB104K16

N BAR ASSY

SEMICONDUCTORS

Q	8910-8914,8917,8920,8923	Bipolar TR	LSAR523UB
D	8901	LED	SMLVN6RGB2UK(B)
D	8951-8954	Rectifier Diode	DA2J101
D	8956,8959,8962	LED	SMLVN6RGB2UK(B)

MISCELLANEOUS

CN	8900	12P Connector	VKN1416
----	------	---------------	---------

RESISTORS

	All Resistors	RS1/16SS###J
--	---------------	--------------