

9. EXPLODED VIEWS AND PARTS LIST

NOTES: ● Parts marked by "NSP" are generally unavailable because they are not in our Master Spare Parts List.

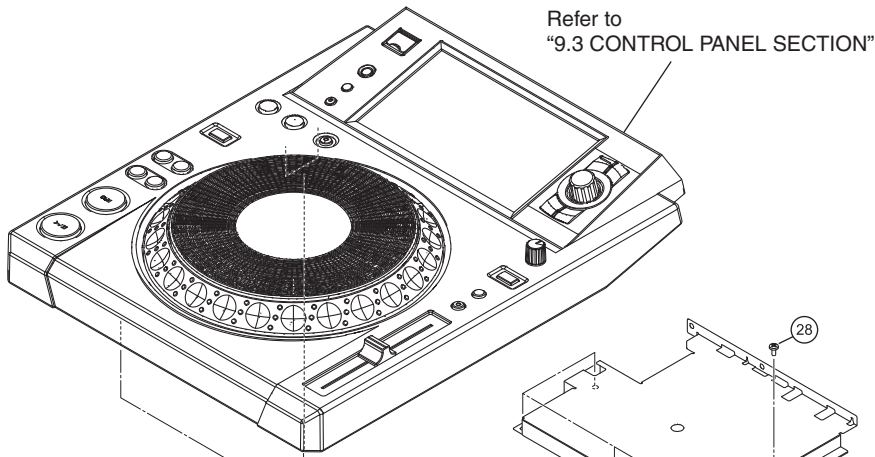
- The \triangle mark found on some component parts indicates the importance of the safety factor of the part. Therefore, when replacing, be sure to use parts of identical designation.
- Screws adjacent to ∇ mark on product are used for disassembly.
- For the applying amount of lubricants or glue, follow the instructions in this manual. (In the case of no amount instructions, apply as you think it appropriate.)

9.1 PACKING SECTION

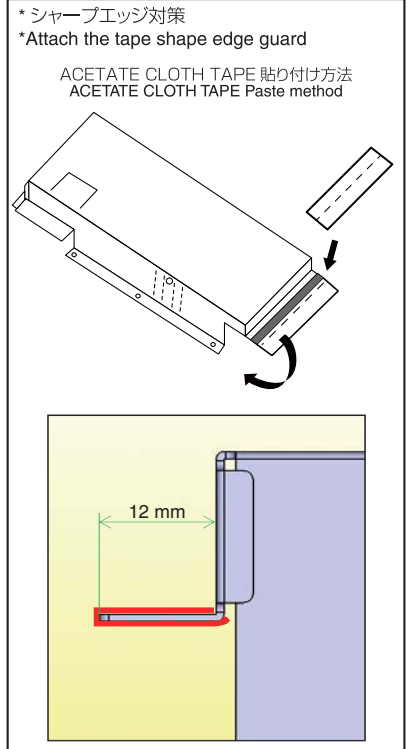
XDJ-1000/SYXJ8 and XDJ-1000MK2/LSYXJ, UXJCB and AXJ are constructed the same except for the following:

Mark	No.	Symbol and Description	XDJ-1000/ SYXJ8	XDJ-1000MK2/ LSYXJ	XDJ-1000MK2/ UXJCB	XDJ-1000MK2/ AXJ	Remarks
	5	Operating Instructions (Quick Start Guide) (En, Fr, De, It, NI, Es, Pt, Ru)	DRH1278	DRH1373	Not used	Not used	
	6	Operating Instructions (Quick Start Guide) (En)	Not used	Not used	DRH1372	Not used	
	8	Operating Instructions (Quick Start Guide) (Zhc)	Not used	Not used	Not used	DRH1375	
NSP	9	Leaflet	DRH1275	DRH1275	DRH1275	DRH1274	
NSP	10	Warranty	ARY7158	DRY1270	Not used	Not used	
	14	Packing Case	DHG3378	DHG3484	DHG3485	DHG3488	
	15	Packing Sheet	RHC1023	RHX1006	RHX1006	RHX1006	
NSP	17	CCC S Label	Not used	Not used	Not used	DRW2310	
NSP	18	Name Label	Not used	Not used	Not used	DAL1347	

9.2 EXTERIOR SECTION

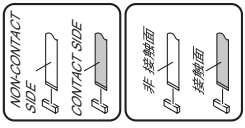
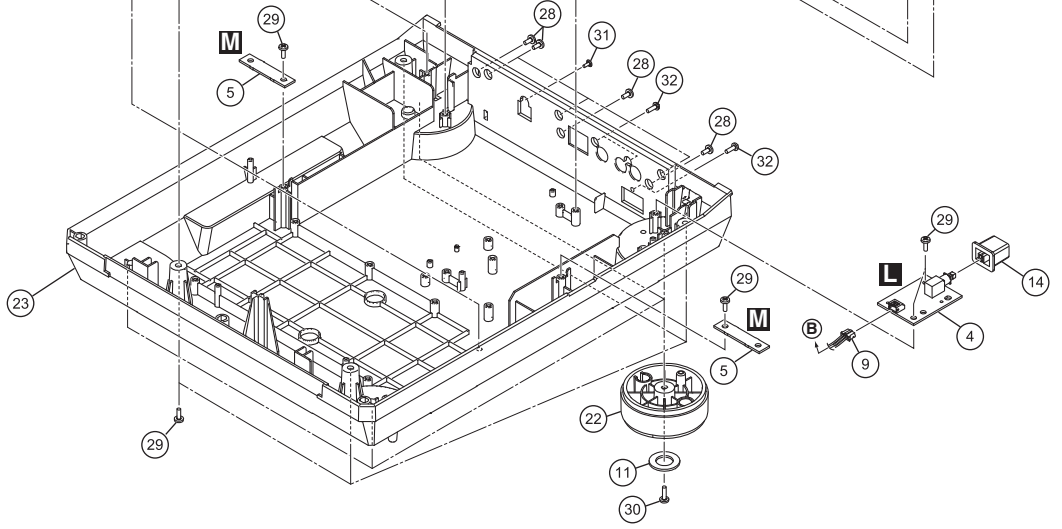
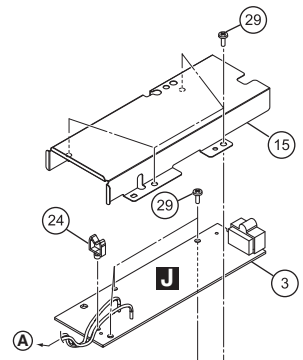
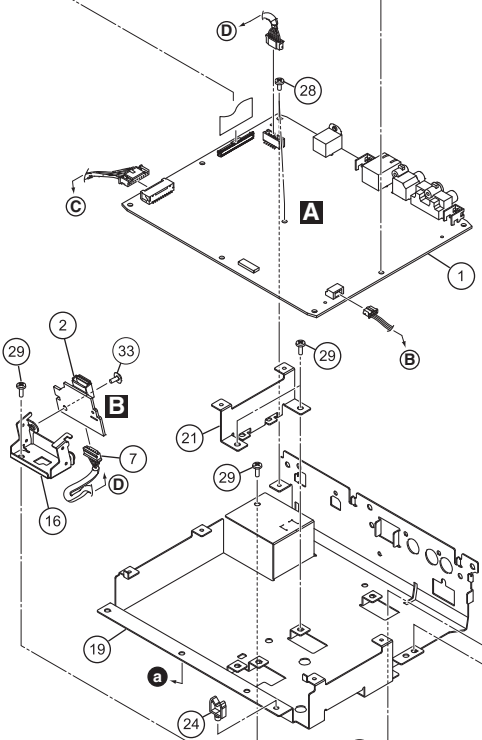
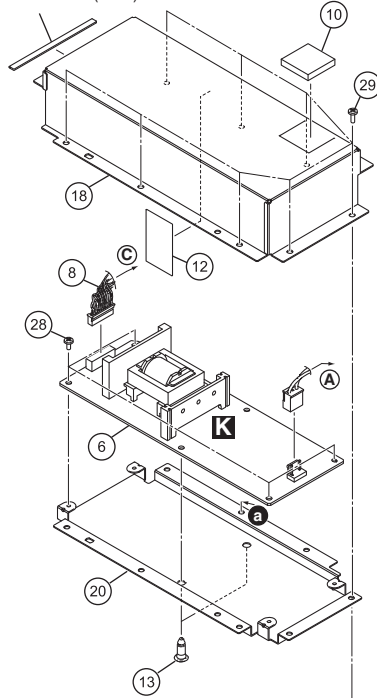


Refer to
"9.3 CONTROL PANEL SECTION".



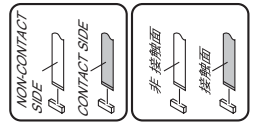
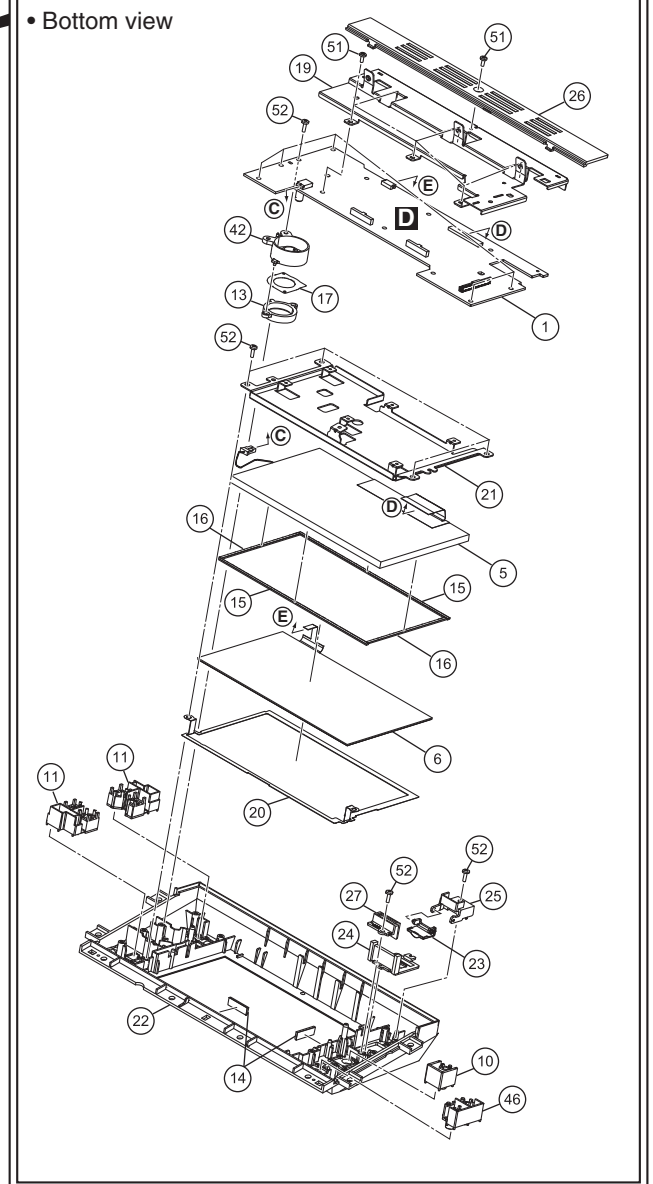
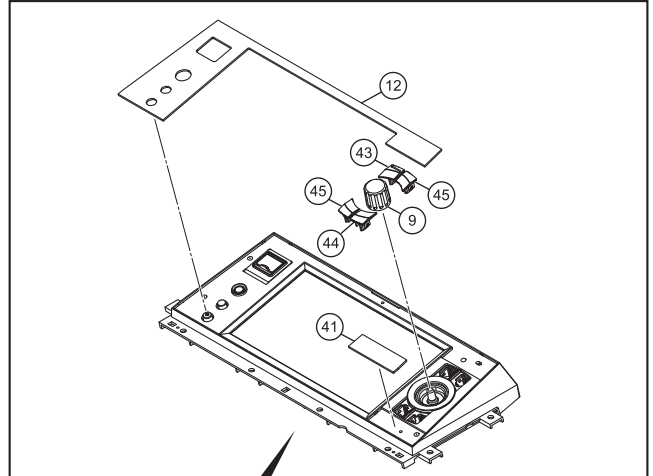
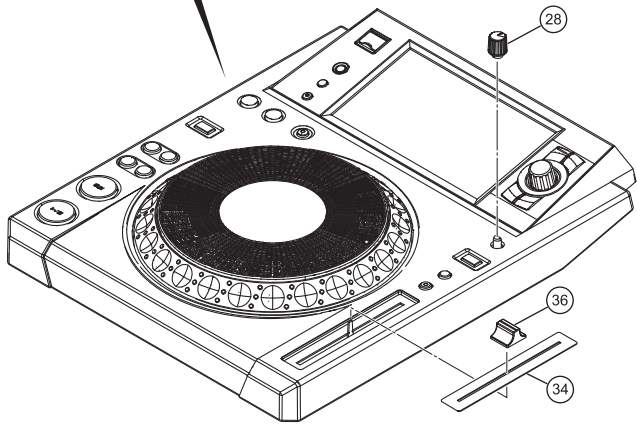
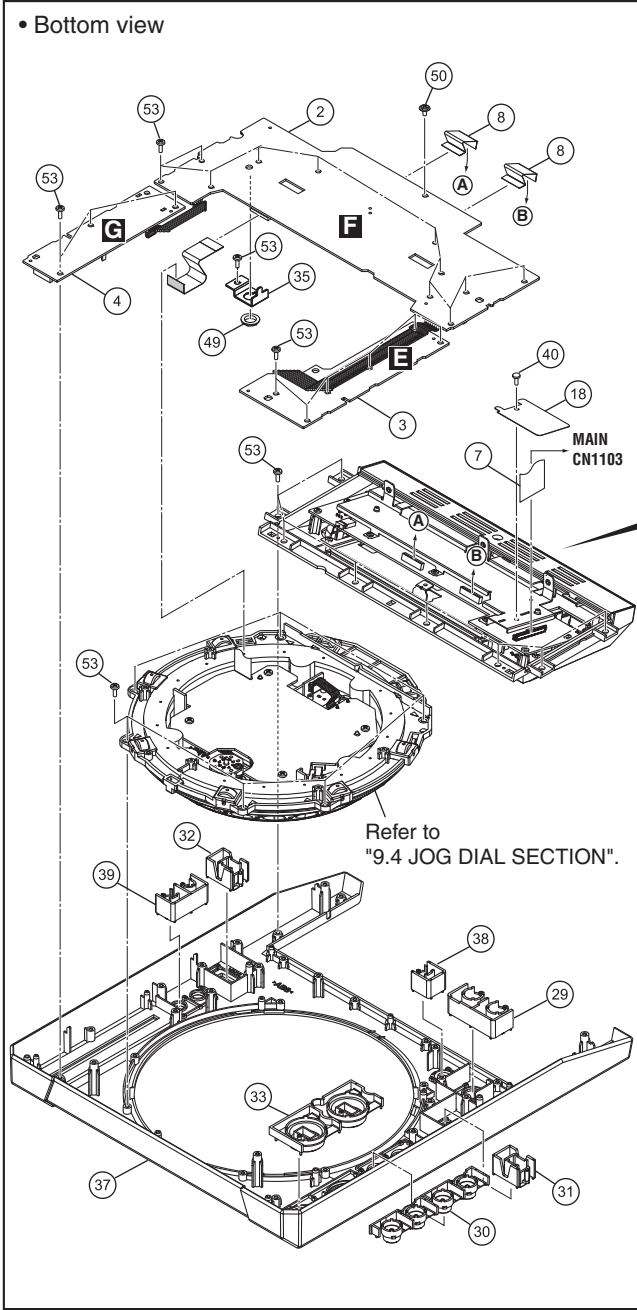
* When replacing the shield case, be sure to attach the acetate tape. Reuse the old original tape, if it is possible. When it is unable to reuse it, use the tape registered in the jig list, and attach it like the figure (upper right). Although the width of the old original tape is 10 mm, the jig tape is 25 mm.

ACETATE CLOTH TAPE (8 cm)*



EXTERIOR SECTION PARTS LIST

<u>Mark No.</u>	<u>Description</u>	<u>Part No.</u>
A	1 MAIN Assy	DWX3920
	2 USBA Assy	DWX3922
	3 ACIN Assy	DWX3926
	4 PSWB Assy	DWX3929
	5 UTMB Assy	DWX3930
	⚠ 6 SW POWER SUPPLY	DWR1548
	7 Shielded Conn-Cable	DDA1076
	8 Crimp Connector	DDC1024
	9 Connector Assy	PF03PP-B10
	10 Cushion/PNL	DEC3535
B	11 Leg	DEC3564
	⚠ 12 Sheet	DEC3723
	13 Spacer	AEC1065
	14 Power Knob	DAC2306
	15 Shield Case/ACI	DNH3171
	16 Stay/USB	DNH3178
	17 Shield Case	DNH3280
	18 Shield Case	DNH3281
	19 Stay	DNH3282
C	20 Stay	DNH3283
	21 Support	DNH3285
	22 Insulator	DNK6394
	⚠ 23 Chassis	DNK6648
	24 Holder	VEC1355
	25 •••••	
	26 •••••	
	27 •••••	
	28 Screw	BBZ30P060FTB
D	29 Screw	BPZ30P080FNI
	30 Screw	BPZ30P100FTC
	31 Screw (M3*5)	DBA1340
	32 Screw	PPZ30P080FTB
	33 Screw	ABZ30P060FTC
E		
F		



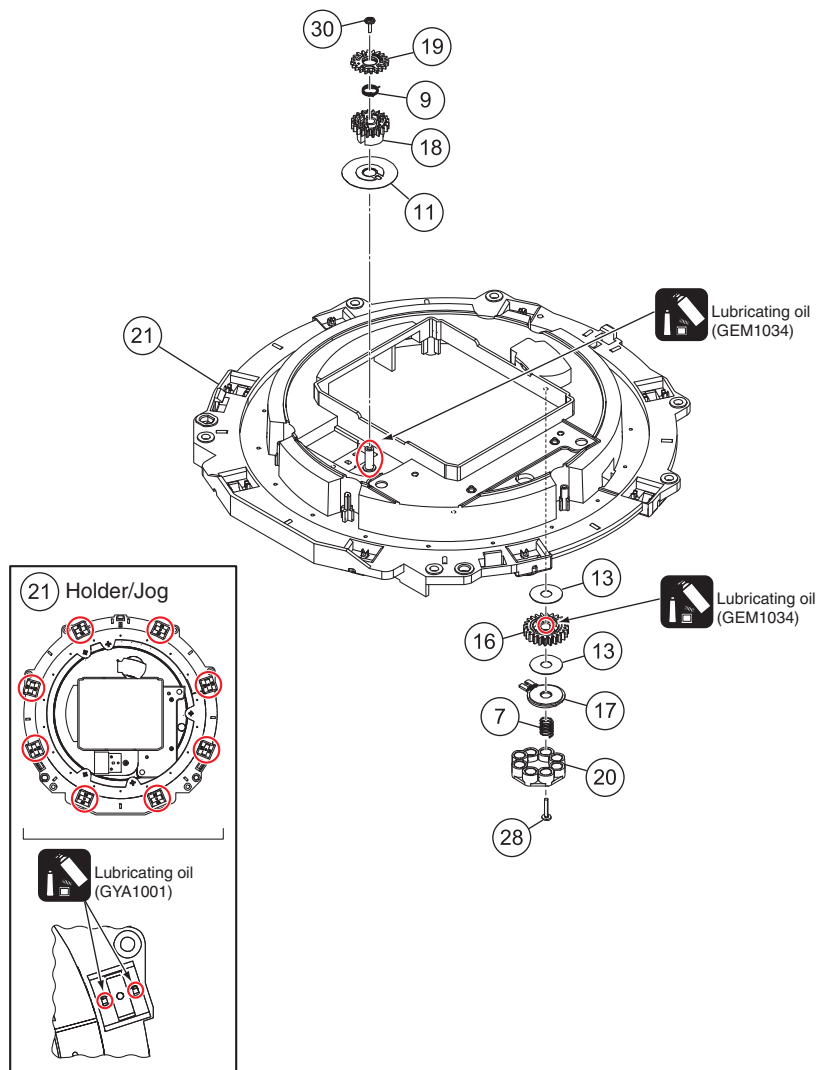
CONTROL PANEL SECTION PARTS LIST

	<u>Mark No.</u>	<u>Description</u>	<u>Part No.</u>	<u>Mark No.</u>	<u>Description</u>	<u>Part No.</u>	
A	1	LCDB Assy	DWX3921	46	Button	DAC3246	
	2	PNLB Assy	DWX3923	47	•••••		
	3	KSWB Assy	DWX3924	48	•••••		
	4	SLDB Assy	DWX3925	49	Flange Nut M9	DBN1008	
	5	TFT LCD	CWX4352	50	Screw	ABZ30P060FTC	
	6	Touch Panel	DSX1128	51	Screw	BBZ26P060FTB	
	7	FFC	DDD1675	52	Screw	BPZ26P080FTC	
	8	FFC	DDD1787	53	Screw	BPZ30P080FNI	
	9	Knob	DAA1371				
	10	Button/USB	DAC3016				
B	11	Button	DAC3244				
	12	Plate	DAH3122				
	13	Lens	DNK6468				
	14	Packing/LCD	DEC3565				
	15	Packing/L	DEC3568				
	16	Packing/S	DEC3569				
	17	Light-D Sheet	DEC3613				
	18	Sheet/FFC	DEC3577				
	19	Shield Case/LCD	DNH3172				
	20	Plate/GND	DNH3173				
C	21	Stay	DNH3284				
	⚠	22 Panel	DNK6649				
		23 Door/USB	DNK6379				
		24 Lens/USB	DNK6381				
		25 Holder/DOR	DNK6383				
	26	Cover/R	DNK6395				
	27	Reflector	DNK6400				
	28	Knob	DAA1303				
	D	29	Button (LOOP)	DAC2470			
		30	Button	DAC3079			
	31	Button/REV	DAC2938				
	32	Button/VNL	DAC2939				
	33	Button/PLY	DAC3004				
	34	Slide Sheet 1C	DAH2404				
	35	Stay/VR	DNF1928				
E	36	Knob/SLD	DNK5981				
	⚠	37 Control Panel	DNK6647				
		38 Button Assy/RLP	DXB2162				
		39 Button Assy/TMP	DXB2163				
		40 Rivet (Plastic)	RBM-003				
	41	Plate	DAH3123				
	42	Holder	DNK6650				
	43	Button	DAC3241				
	44	Button	DAC3242				
	45	Button	DAC3243				
F							

9.4 JOG DIAL SECTION

XDJ-1000/SYXJ8 and XDJ-1000MK2/LSYXJ, UXJCB and AXJ are constructed the same except for the following:

Mark	No.	Symbol and Description	XDJ-1000/ SYXJ8	XDJ-1000MK2/ LSYXJ	XDJ-1000MK2/ UXJCB	XDJ-1000MK2/ AXJ	Remarks
	1	JFLB Assy	DWX3610	DWX3927	DWX3927	DWX3927	
	2	JOGB Assy	DWX3611	DWX3928	DWX3928	DWX3928	
	6	Jog Plate	DAH2839	DAH3121	DAH3121	DAH3121	
	7	Load Spring	DBH1680	DBH1798	DBH1798	DBH1798	
	11	Encoder Plate	DEC2889	DEC3700	DEC3700	DEC3700	
	16	Load Gear	DNK5236	DNK6145	DNK6145	DNK6145	
	18	Gear A	DNK5241	DNK6143	DNK6143	DNK6143	
	19	Gear B	DNK5242	DNK6144	DNK6144	DNK6144	
	23	Roller Assy/A	DXB2118	DXB2178	DXB2178	DXB2178	



12. PCB PARTS LIST

NOTES: ● Parts marked by "NSP" are generally unavailable because they are not in our Master Spare Parts List.

● The Δ mark found on some component parts indicates the importance of the safety factor of the part. Therefore, when replacing, be sure to use parts of identical designation.

● When ordering resistors, first convert resistance values into code form as shown in the following examples.

Ex.1 When there are 2 effective digits (any digit apart from 0), such as 560 ohm and 47 k ohm (tolerance is shown by J = 5%, and K = 10%).

560 Ω \rightarrow 56 $\times 10^1$ \rightarrow 561 RD1/APU $\boxed{5}$ $\boxed{6}$ $\boxed{7}$ J
 47 k Ω \rightarrow 47 $\times 10^3$ \rightarrow 473 RD1/APU $\boxed{4}$ $\boxed{7}$ $\boxed{3}$ J
 0.5 Ω \rightarrow R50 RN2H \boxed{R} $\boxed{5}$ $\boxed{0}$ K
 1 Ω \rightarrow 1R0 RSIP $\boxed{7}$ \boxed{R} $\boxed{0}$ K

Ex.2 When there are 3 effective digits (such as in high precision metal film resistors).

5.62 k Ω \rightarrow 562 $\times 10^1$ \rightarrow 5621 RN1/4PC $\boxed{5}$ $\boxed{6}$ $\boxed{2}$ $\boxed{7}$ F

Mark No.	Description	Part No.
LIST OF ASSEMBLIES		
	1..MAIN ASSY	DWX3920
NSP	1..LCD ASSY	DWM2629
	2..LCDB ASSY	DWX3921
	2..USBA ASSY	DWX3922
NSP	1..PNL ASSY	DWM2630
	2..PNLB ASSY	DWX3923
	2..KSWB ASSY	DWX3924
	2..SLDB ASSY	DWX3925
	2..ACIN ASSY	DWX3926

NSP	1..PNL ASSY	DWM2631
	2..JFLB ASSY	DWX3927
	2..JQGB ASSY	DWX3928
	2..PSWB ASSY	DWX3929
	2..UTMB ASSY	DWX3930
Δ	1..SW POWER SUPPLY ASSY	DWR1548

Mark No.	Description	Part No.
----------	-------------	----------

A	MAIN ASSY	
----------	------------------	--

SEMICONDUCTORS

NSP	IC 1	AK8125AV
	IC 2	TC7WHU04FK
	IC 3	H337S3959
	IC 4	PST8430N
	IC 5,305	TC7SH08FUS1
NSP	IC 6	R8A77240D500BG2
	IC 8	TC7SH04FUS1
	IC 9,11	W971GG6SB-25
NSP	IC 10	DYW1966
	IC 301	D810K013DZKB456

5TG2S	IC 302,303	M12L2561616A-
	IC 304	TC7SG08FU
Δ	IC 701	NJM2878F3-33
	IC 702	AK4452VN
Δ	IC 703,704,1106	NJM2872BF05
	IC 705	NJM4580MD
	IC 706	NLV74VHCU04DT
Δ	IC 707	NJW4191R-A
Δ	IC 708	NJM2831F09
Δ	IC 709	NJM2828F3-09

Mark No.	Description	Part No.
Δ	IC 901,1101,1102	BD9328EFJ
NSP	IC 902	RTL8152B-VB-CG
	IC 903	TPS2557DRB
	IC 904	USB2512B-AEZG-TR
	IC 905	RTL8304E-CG
	IC 1103	BD81A04EFV-M
	IC 1104	TC74VHC4066AFK
Δ	IC 1105	MM3529A18P
	Q 1	LTA024EEB
	Q 2,701	LTC024EEB
	Q 3,1107	RTQ045N03
	Q 703,1102	RN4983
	Q 704-707	INC2002AC1
	Q 901,1101	LSCR523UB
	Q 902	RN1903
	Q 903,1106	LTC023JEB
	Q 904	2SB1188
	Q 1103	RTQ040P02
	Q 1104	HN1C01FU
	Q 1105	RN2903
	Q 1108	LSAR523UB
D	D 1,701-704	DA2J101
	D 706-708,1103,1107	DA2J101
	D 709,710	RB501VM-40
	D 711	DB2J41100
	D 714,902,1101	DZ2J062M0
	D 901,904	DZ2J051M0
	D 903	RR264M-400
	D 1104,1105	RB060M-30

MISCELLANEOUS

L	1,2,908,909 INDUCTOR	CTF1394
L	6 CHIP BEEDS FILTER	BTX1047
L	303,304 CHIP BEADS	VTL1128
L	901,903 COIL	ATH7015
L	902 INDUCTOR	CTH1253
L	910,911 CHOKE COIL	ATH7098
L	1101,1106 SMD SPL INDUCTOR	CTH1527
L	1102 CHOKE COIL	CTH1487
L	1108-1126,1130 CHIP BEADS	VTL1126
L	1128,1129 FERRITE BEAD	CTF1528
F	1-3,901-903 EMI FILTER	CCG1352
JA	701 1P PIN JACK	PKB1045
JA	702 RCA JACK	DKB1120
JA	901 USB CONNECTOR	DKN1237
JA	902 RJ45 CONNECTOR	AKN7115

Mark No.	Description	Part No.	Mark No.	Description	Part No.
KN 901,902	SCREW PLATE	VNE1948	R 1138,1139,1141,1143		RS1/4SA2R7J
T 701	TRANSFORMER	DTL1225	R 1146,1150,1164		RS1/16SS1203D
X 1	CRYSTAL RESONATOR	CSS1825	R 1147		RS1/16SS1303D
X 2	RESONATOR	CSS1760	R 1148		RS1/16SS3902D
X 301	CRYSTAL OSCILLATOR	DSS1215			
X 901,903	CRYSTAL(25MHZ)	DSS1205	R 1153		RS1/16SS3302D
X 902	RESONATOR	CSS1773	R 1165		RS1/16SS1602D
CN 901	CONNECTOR	AKM1277	R 1183-1186,1200-1204		RAB4CQ0R0J
CN 1101	CONNECTOR	DKN1661	R 1197,1198		RS1/10SR152J
CN 1102	CONNECTOR	AKM1289	R 1199		RS1/10SR132J
CN 1103	FFC/FPC CONNECTOR	CKS6543	Other Resistors		RS1/16SS###J
VA 901,902	SMD VARISTOR	EZJZ1V80010	CAPACITORS		
RESISTORS			C 1-8,10-15		CKSSYB104K10
R 9		RAB4CQ222J	C 9,22,735,903		CCSSCH100D50
R 40,86-89		RAB4CQ220J	C 16,1147		CKSSYB223K16
R 52,53		RS1/16SS5601F	C 17-19,21,30		CKSSYB104K10
R 78,79		RS1/16SS82R0F	C 20,32		CCSSCH7R0D50
R 83,84,372,973		RAB4CQ472J	C 23-28,31,33		CKSSYB103K16
R 92		RS1/16SS4300D	C 29		CKSSYB222K50
R 93-105,124-127		RAB4CQ220J	C 34,41,43,47		CKSSYB104K10
R 128-132		RAB4CQ330J	C 35,36,38-40		CKSSYB102K50
R 301-308		RAB4CQ680J	C 42,44-46,51		CKSSYB102K50
R 309,310,312,313		RAB4CQ151J	C 48,50,114		DCH1201
R 311,315,330-333		RAB4CQ470J	C 49,52,54,56		CKSSYB104K10
R 314		RAB4CQ560J	C 53,55,57,67		CKSSYB102K50
R 328,329,992		RS1/10SR0R0J	C 58-62,64		CKSSYB104K10
R 340-343,1166-1170		RAB4CQ151J	C 63,707		CKSRVB105K10
R 349,359,360		RAB4CQ470J	C 65,66,93-98		CKSSYB103K16
R 361-364,965,976		RAB4CQ220J	C 68,75,99-104		CKSSYB102K50
R 711		RAB4CQ103J	C 69-74,76-92		CKSSYB104K10
R 718-721		RN1/16SE3301D	C 106-112,121,122		CKSSYB104K10
R 722-725		RN1/16SE3901D	C 115		CEHVAW221M6R3
R 726-729		RN1/16SE1801D	C 116-118,124,126		DCH1201
R 732,934		RS1/16SS1202D	C 123,158,331,333		CKSSYB102K50
R 733,1155		RS1/16SS1003D	C 125,128,129		CCSSCH102J50
R 735,736		RS1/10SR473J	C 127,130,137,139		CKSSYB104K10
R 738		RS1/10SR331J	C 131-136,138		CCSSCH102J50
R 739		RS1/4SA332J	C 140,142,147,301		DCH1201
R 740		RS1/10SR101J	C 141,148-150,154		CKSSYB104K10
R 743,744,748,749		RN1/16SE2700D	C 143-146,151-153		CCSSCH102J50
R 750		RS1/10SR104J	C 155-157,365,368		CCSSCH102J50
R 757-760		RN1/16SE2200D	C 302,321,322,775		DCH1201
R 902		RS1/10SR102J	C 303-312,315-318		CKSSYB103K16
R 907,1107,1109		RS1/10SR220J	C 323,324,358		CKSSYB104K10
R 909		RS1/16SS91R0F	C 327-330,332,334		CKSSYB103K16
R 910		RS1/16SS2401D	C 335,337,339,341		CKSSYB102K50
R 914		RS1/10SR1100D	C 336,338,340,342		CKSSYB103K16
R 915,1149,1154		RS1/16SS4702D	C 343,345,347,349		CKSSYB102K50
R 916		RS1/16SS1002D	C 344,346,348,350		CKSSYB103K16
R 928,929		RS1/16SS2202F	C 351,353,355,907		CKSSYB102K50
R 952,954-956		RS1/16SS49R9F	C 352,354,357,359		CKSSYB103K16
R 957,958		RS1/16SS3901D	C 356,366,367,708		CCSSCH101J50
R 987,988,990,991		RS1/10SR49R9F	C 360-363,729,730		CKSSYB104K10
R 1101,1104,1105		RS1/4SA0R0J	C 364,704,770,796		CKSSYB103K16
R 1112		RS1/16SS2702F	C 701,709,716,723		CKSSYB104K16
R 1113,1118		RS1/16SS1002F	C 702,711,715,725		CCSSCH102J50
R 1116		RS1/16SS3901F	C 703,792,806		CCSRCH102J50
R 1117		RS1/16SS7500F	C 705,813,821,1129		ACE7129
R 1136		RS1/16SS5100F	C 706,737,758,761		CCH1565
			C 712,1120		ACE7097

Mark No. Description**Part No.****Mark No. Description****Part No.**

C 713,834,1118 ACE7100
C 724,727,728,767 CKSSYB104K16

C 1166,1174,1176,1185 CKSSYB104K16
C 1172,1173 CKSQB225K16
C 1177 CKSSYB333K16

C 726,731,732,754 CCSSCH102J50
C 733,734,785 CKSSYB104K10
C 736,753,790,791 CCSSCH101J50
C 738,782,783 CCH2090
C 739 CCSRCH101J50

C 1179 DCH1201
C 1181,1182,1184,1186 DCH1263
C 1189,1191 CKSSYB104K16
C 1193-1195,1200-1202 CKSSYB104K10
C 1196,1198 CCSSCH221J50

C 745,746 CCSSCH471J50
C 747-750 CCSSCH331J50
C 751,902,904,1103 DCH1263
C 756 CKSRYB224K25
C 766,777,779,793 CCSSCH102J50

B USBA ASSY**MISCELLANEOUS**

JA 8801 USB JACK DKB1118
CN 8801 CONNECTOR AKM1292
VA 8801,8802 SMD VARISTOR EZJZ1V80010

CAPACITORS

C 8802 CCSSCH4R0C50

D LCDB ASSY**SEMICONDUCTORS**

⚠ IC 2001 R1290K103A
⚠ IC 2601,2602 BD9328EFJ
Q 2001 2SAR502UB
Q 2601,2608-2610 LSCR523UB
Q 2602,2603 LSAR523UB

C 797,914,926,936 CKSSYB103K16
C 798 CKSRYB103K50
C 801,802 CFHXSQ102J50
C 804,805 CKSRYB473K16
C 807,808,818,833 ACE7115

C 814,816,817,1108 CCSSCH101J50
C 819,1208 DCE1029
C 906,915,934,937 DCH1201
C 908 CCSSCH100D50
C 910,1101,1104,1109 CKSSYB104K16

C 911-913,916-920 CKSSYB104K10
C 922 CKSRYB225K6R3
C 924,943 CEHVAW101M6R3
C 925,928,931,932 CKSSYB104K10
C 929,930,933,951 CKSSYB105K6R3

Q 2605 LTC014YEB
Q 2606,2611,2802,2804 LTC023JEB
Q 2607 LTA024EEB
Q 2801,2803 LTC024EEB
Q 2805,2806 LTA023JEB

C 935,939,945-948 CKSSYB104K10
C 938,940,964,974 DCH1201
C 941,942 CCSRCK2R0C50
C 944,954 CCSSCH120J50
C 950,953,955,957 CKSSYB104K10

D 2001-2003 DB3S308F0
D 2004 DB2J41100
D 2601,2602 NHSW046A-0171
D 2603,2606 SML-D12U8W
D 2604,2605 SMLVN6RGB2UK

C 956,958,965,983 CKSSYB103K16
C 959,960,962,963 CKSSYB104K10
C 961 CEHVAW470M6R3
C 966-968,970,971 CKSRYB104K10
C 969,972 CCSSCH9R0D50

D 2607 DZ2J068M0
D 2608 DZ2J056M0
D 2609,2610,2805-2812 DA2J101

MISCELLANEOUS

L 2002 CHOKE COIL CTH1426
L 2003-2005 FERRITE BEAD CTF1528
L 2007 INDUCTOR CTF1635
L 2008 CHIP BEEDS FILTER BTX1042
L 2009,2010 CHIP INDUCTOR(10U) DTL1105

C 973,975,976 CKSSYB104K10
C 980-982,1114,1125 CKSSYB104K10
C 1105,1139,1141,1161 DCH1263
C 1107,1119,1171 CCSSCH472J50
C 1110,1113,1115,1117 CCSSCH102J50

L 2601 SMD SPL INDUCTOR CTH1527
L 2602 INDUCTOR CTH1255
S 2601,2602,2604-2608 TACT SWITCH DSG1134
S 2603 ENCODER SW DSX1080
CN 2001 FFC/FPC CONNECTOR CKS6543

C 1111,1121,1122,1128 CKSSYB103K16
C 1112,1123,1160 CCSSCH101J50
C 1116 ACE7115
C 1127,1163,1187,1190 CCSSCH102J50
C 1130,1136,1164,1170 CKSSYB103K16

CN 2002 FFC/FPC CONNECTOR CKS6646
CN 2003 CONNECTOR CKS4428
CN 2601,2602 FFC/FPC CONNECTOR DKN1663
CN 2801 FFC/FPC CONNECTOR CKS6625

C 1132,1155,1157 CCH1565
C 1135,1168,1178,1180 CKSSYB104K10
C 1140,1156,1158,1159 CKSSYB104K16
C 1142,1145 CEHVAW101M16
C 1143,1150,1154,1175 DCH1201

RESISTORS

R 2002 RS1/16SS3603D
R 2003 RS1/16SS6802D
R 2004 RS1/16SS3901D

C 1152 CKSRYB105K16
C 1162 CKSSYB224K6R3

Mark	No.	Description	Part No.
R	2009		RS1/16SS1103D
R	2010,2620,2639		RS1/16SS1002D
R	2012,2015		RS1/16SS1502D
R	2014		RS1/16SS8201D
R	2017		RS1/10SR0R0J
R	2018		RS1/16SS3303D
R	2019		RS1/16SS5601D
R	2020		RS1/16SS3902D
R	2022,2036,2071		RS1/16SS39R0D
R	2024,2040		RS1/16SS47R0D
R	2028,2037		RS1/16SS75R0F
R	2034,2038		RS1/16SS1300D
R	2035		RS1/16SS51R0D
R	2039,2043		RS1/16SS82R0D
R	2041		RS1/16SS56R0D
R	2042		RS1/16SS1800D
R	2076,2078		RAB4CQ473J
R	2607,2634		RS1/10SR220J
R	2610-2617		RS1/4SA2R7J
R	2619		RS1/16SS2702D
R	2637		RS1/16SS2001D
R	2638		RS1/16SS4702D
R	2653,2659		RS1/10SR242J
R	2655,2661		RS1/10SR222J
R	2657,2663		RS1/10SR162J
	Other Resistors		RS1/16SS###J

CAPACITORS

C	2002,2018,2025,2049	CKSSYB102K50
C	2003	CKSRYB105K16
C	2004,2014,2076,2610	CKSSYB105K6R3
C	2005,2007	CKSQYB105K25
C	2008	CKSQYB475K6R3
C	2010,2013,2022	CKSSYB104K16
C	2011,2012	CKSQYB474K25
C	2016	CKSSYB224K6R3
C	2017,2026	CKSYB475K16
C	2019	CKSSYB561K50
C	2020,2614,2616,2642	CKSSYB103K16
C	2021	CKSSYB332K50
C	2023,2024,2056,2072	DCH1263
C	2027-2029,2046,2048	CKSSYB104K16
C	2030,2031	CKSRYB105K10
C	2032-2034,2065,2613	CKSSYB104K10
C	2035	DCH1246
C	2050	CKSQYB225K16
C	2051	CKSSYB103K25
C	2052,2062,2064,2075	CKSSYB104K16
C	2055,2060,2615,2635	DCH1201
C	2057,2603,2606,2612	CCH1565
C	2058	CCG1201
C	2061	CKSQYB334K50
C	2066	CKSRYB104K50
C	2070,2073,2079,2081	CKSSYB102K50
C	2083	CCG1254
C	2601,2602,2626,2628	DCH1263
C	2604,2605,2608,2609	CKSSYB104K16
C	2607,2632	CCSSCH102J50
C	2611,2630,2633,2634	CKSSYB104K16
C	2620	CEVW330M10

Mark	No.	Description	Part No.
C	2636		CKSSYB472K50
C	2640,2657		CCH1565
C	2643,2653		CKSSYB103K16
C	2644,2646,2648,2651		ACG1142
C	2655,2656		CKSSYB104K16
C	2802,2803		CKSSYB102K50

E KSWB ASSY**SEMICONDUCTORS**

Q	8501,8504	LTC123JUB
D	8501,8502	SLI-343Y8Y
D	8503,8504	LTL17KGH5D

MISCELLANEOUS

S	8501,8502 TACT SWITCH	DSG1117
S	8504-8507 SWITCH	VSG1024
	CN8501 7P JUMPER CONNECTOR	52147-0710

RESISTORS

R	8505	RS1/8SQ0R0J
	Other Resistors	RS1/10SR###J

F PNLB ASSY**SEMICONDUCTORS**

IC	8001	PST8430N
IC	8003	DYW1967
Q	8004,8013,8014	LTC114YUB
Q	8016,8017,8019,8020	LTC124EUB
Q	8026-8028	LTC124EUB
D	8003,8016	LTL17KRH5D
D	8012,8013,8015	SLI-343Y8Y
D	8017	SLR343BC4T

MISCELLANEOUS

L	8003 INDUCTOR	CTF1379
VR	8001 VARIABLE RESISTOR	DCS1045
S	8008,8010-8012 TACT SWITCH	DSG1079
S	8017 TACT SWITCH	DSG1089
S	8021,8022 SWITCH	VSG1024
X	8001 CERAMIC RESONATOR	DSS1131
CN	8001,8002 20P CONNECTOR	VKN1280
CN	8004 16P CONNECTOR	VKN1276
JH	8003 4P CABLE HOLDER	51048-0400
JH	8004 7P CABLE HOLDER	51048-0700
JP	8002 JUMPER WIRE	D20PDY0720E
JP	8003 4PJUMPER WIRE	D20PDD0410E

RESISTORS

R	8114	RS1/8SQ105J
	Other Resistors	RS1/10SR###J

CAPACITORS

C	8001,8012	CKSRYB474K10
C	8002	CEHAS470M6R3
C	8003,8005,8013,8019	CKSRYB104K16
C	8006-8008,8010,8017	CCSRCH102J50
C	8009,8046,8047,8057	CKSRYB103K50
C	8014	CEHAS101M10
C	8018,8095,8106,8107	CCSRCH102J50

Mark No. Description

C 8027,8029,8036,8040
 C 8058,8076,8089,8098
 C 8060

 C 8074
 C 8075,8084

Part No.

CKSRYB104K16
 CKSRYB103K50
 CCSRCH121J50

 CKSRYB273K25
 CKSRYB104K16

Mark No. Description**CAPACITORS**

C 9201,9202,9205,9211
 C 9204,9213,9221,9224
 C 9206,9216,9247
 C 9208,9242
 C 9210

Part No.

CCG1236
 CKSRYB104K16
 CKSRYB104K50
 CKSRYB103K50
 CKSRYB105K16

G SLDB ASSY**SEMICONDUCTORS**

D 8701-8704

DA2J101

MISCELLANEOUS

VR 8701 SLIDE VR

DCV1033

RESISTORS

All Resistors

RS1/10SR###J

MISCELLANEOUS

JH 8701 4P CABLE HOLDER

51048-0400

CAPACITORS

C 8702
 C 8703

CEJQ470M6R3
 CKSRYB104K16

I JOGB ASSY**MISCELLANEOUS**

CN 9301 4PJUMPER CONNECTOR

52151-0410

RESISTORS

All Resistors

RS1/10SR###J

MISCELLANEOUS

PC 9301 PHOTO INTERRUPTER

KE-2K18-15

CAPACITORS

C 9301
 C 9302

CKSRYB225K6R3
 CKSRYB103K50

H JFLB ASSY**SEMICONDUCTORS**

IC 9201
 △ IC 9202
 △ IC 9203
 Q 9201,9202
 Q 9203

TC7WH04FU
 MM1856A33N
 NJM2392M
 2SC4154-11
 LSCR523UB

Q 9204
 Q 9205

LSAR523UB
 2SC5712

D 9201
 D 9202,9204
 D 9203

DZ2J062M0
 DA2J101
 DB2J41100

D 9206

RB162M-40

MISCELLANEOUS

L 9201 RAD SPL INDUCTOR
 V 9201 VFD
 CN 9201 CONNECTOR
 CN 9202 16P CONNECTOR
 JH 9201 4P CABLE HOLDER

DTH1212
 DEL1074
 CKS1072
 VKN1247
 51048-0400

JP 9201 JUMPER WIRE

D20PYY0405E

RESISTORS

R 9201,9202
 R 9215,9217
 R 9219,9220
 R 9226
 R 9227

RS1/4SA102J
 RS1/8SQ100J
 RS1/8SQ0R0J
 RS1/10SR8201D
 RS1/10SR3901D

R 9229
 R 9230
 R 9231
 R 9232

RS1/4SA122J
 RS1/10SR1501D
 RS1/10SR2701D
 RS1/10SR2702D
 RS1/4SA7R5J

R 9236,9238-9246

Other Resistors

RS1/10SR###J

J ACIN ASSY**MISCELLANEOUS**

△ JA 9101 AC INLET/2P
 △ JP 9101 BOARD IN JUMPER/2P

DKP3943
 DKP3945

K SW POWER SUPPLY

There is no service parts.

L PSWB ASSY**MISCELLANEOUS**

S 9401 PUSH SW
 CN 9401 L-PLUG(3P)

ASG1102
 KM200NA3L

RESISTORS

All Resistors

RS1/10SR###J