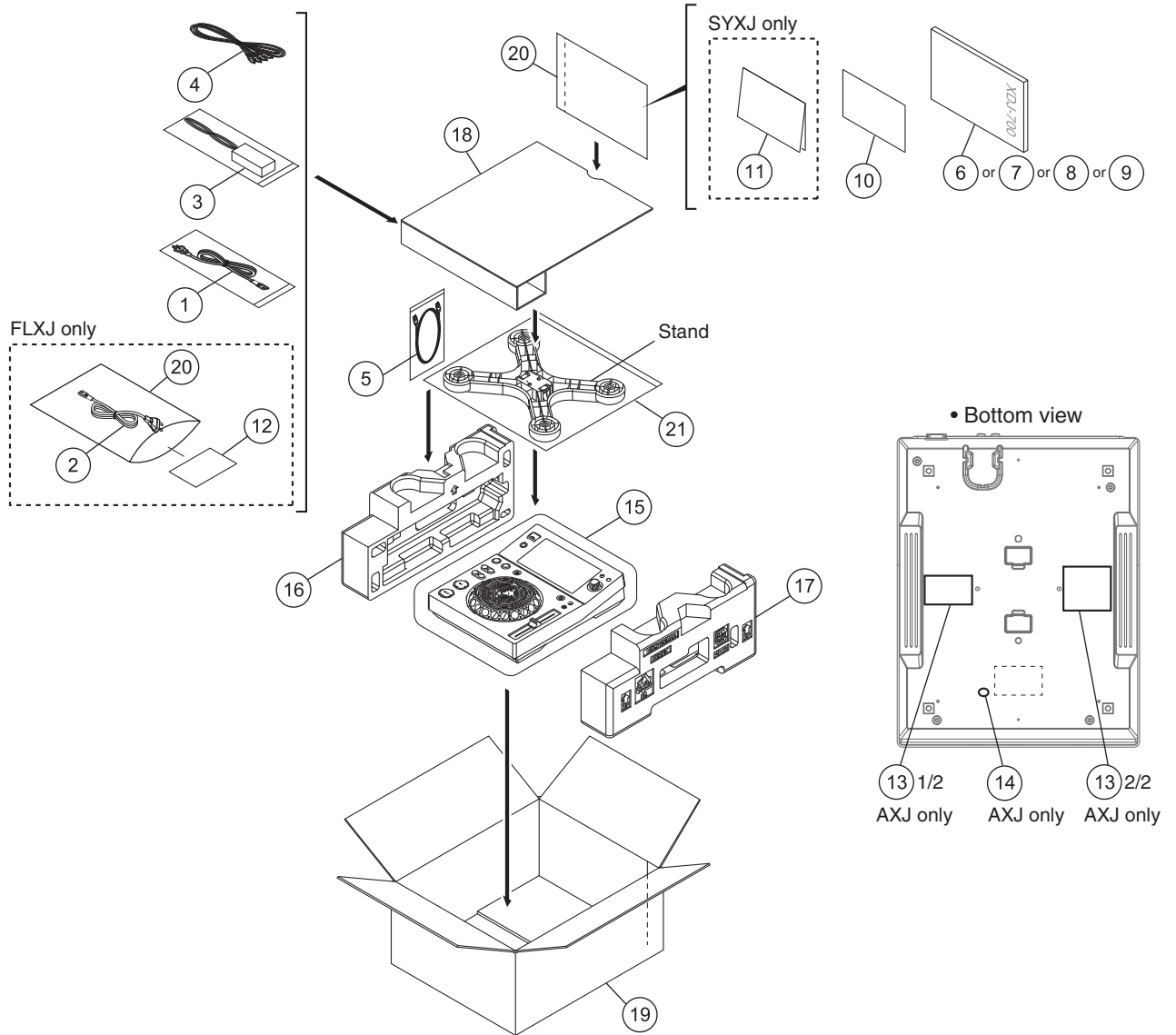


# 9. EXPLODED VIEWS AND PARTS LIST

- NOTES:**
- Parts marked by "NSP" are generally unavailable because they are not in our Master Spare Parts List.
  - The  $\triangle$  mark found on some component parts indicates the importance of the safety factor of the part. Therefore, when replacing, be sure to use parts of identical designation.
  - Screws adjacent to  $\nabla$  mark on product are used for disassembly.
  - For the applying amount of lubricants or glue, follow the instructions in this manual. (In the case of no amount instructions, apply as you think it appropriate.)

## 9.1 PACKING SECTION



**(1) PACKING SECTION PARTS LIST**

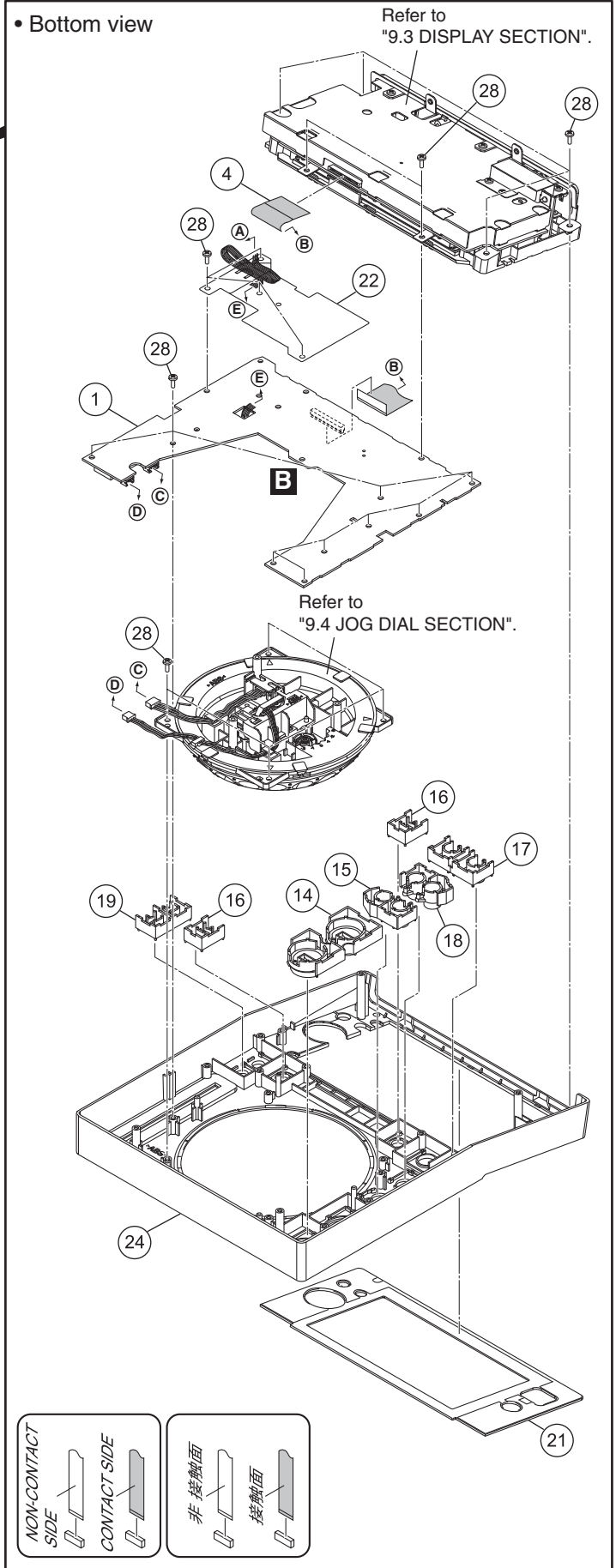
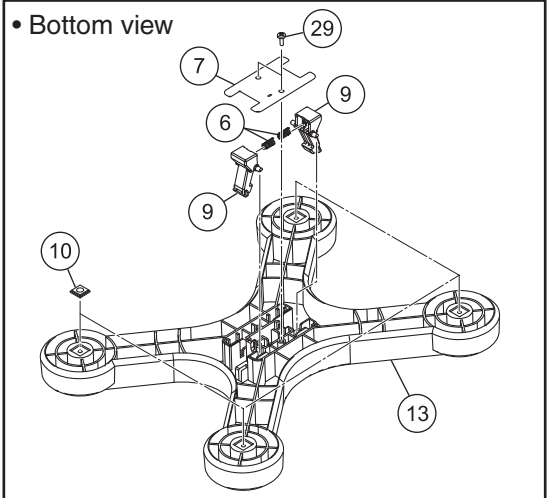
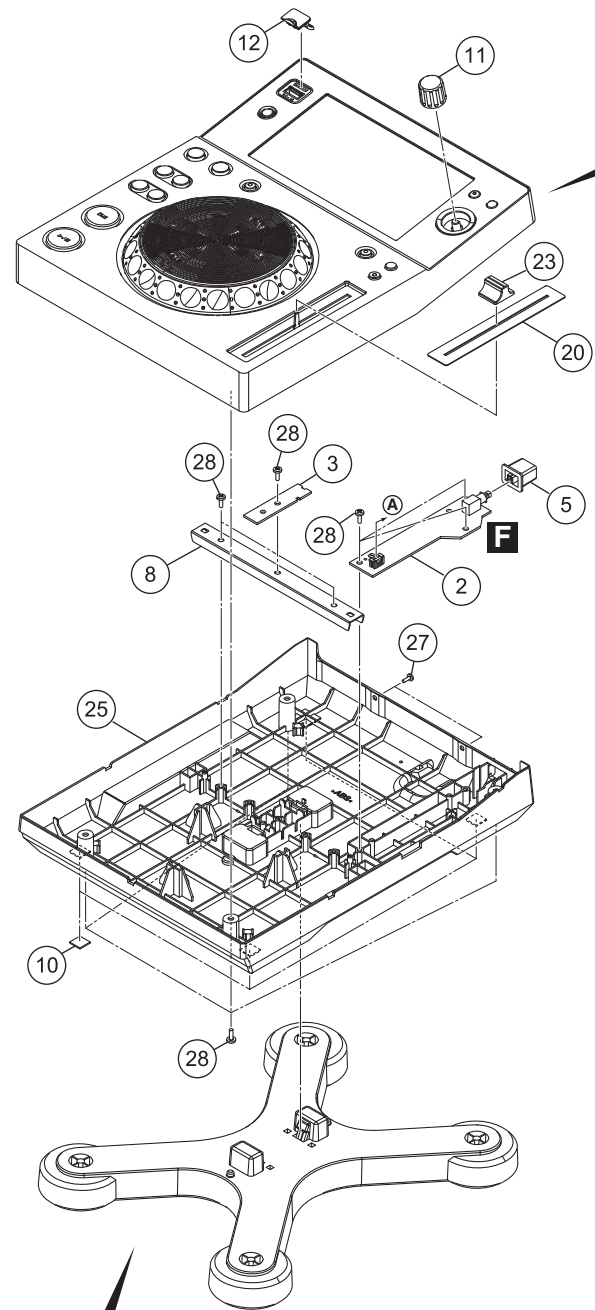
<u>Mark No.</u>	<u>Description</u>	<u>Part No.</u>	<u>Mark No.</u>	<u>Description</u>	<u>Part No.</u>
⚠	1 Power Cord	See Contrast table (2)	9	Operating Instructions (Quick Start Guide)	See Contrast table (2)
⚠	2 Power Cord	See Contrast table (2)			
⚠	3 AC Adapter	DWR1546	NSP 10	Leaflet	See Contrast table (2)
	4 Audio Cable	XDE3045	NSP 11	Warranty	See Contrast table (2)
	5 LAN Cable	DDE1141	12	Caution Card SB	See Contrast table (2)
	6 Operating Instructions (Quick Start Guide)	See Contrast table (2)	NSP 13	Name Label	See Contrast table (2)
	7 Operating Instructions (Quick Start Guide)	See Contrast table (2)	NSP 14	CCC S & E Label	See Contrast table (2)
	8 Operating Instructions (Quick Start Guide)	See Contrast table (2)	15	Packing Sheet	AHG7053
			16	Packing Pad	DHA1933
			17	Packing Pad	DHA1934
			18	Partition	DHC1087
			19	Packing Case	See Contrast table (2)
			NSP 20	Polyethylene Bag	AHG7117
			NSP 21	Poly Bag	DHL1198

**(2) CONTRAST TABLE**

XDJ-700/UXJCB, SYXJ, FLXJ and AXJ are constructed the same except for the following:

Mark	No.	Symbol and Description	XDJ-700 /UXJCB	XDJ-700 /SYXJ	XDJ-700 /FLXJ	XDJ-700 /AXJ
⚠	1	Power Cord	XDG3052	ADG1154	ADG1154	ADG7079
⚠	2	Power Cord	Not used	Not used	ADG7097	Not used
	6	Operating Instructions (Quick Start Guide)(En)	DRH1313	Not used	Not used	Not used
	7	Operating Instructions (Quick Start Guide) (En, Fr, De, It, NI, Es, Pt,Ru)	Not used	DRH1314	Not used	Not used
	8	Operating Instructions (Quick Start Guide)(En, Es, Zhtw)	Not used	Not used	DRH1315	Not used
	9	Operating Instructions (Quick Start Guide)(Zhcn)	Not used	Not used	Not used	DRH1316
NSP	10	Leaflet	DRH1275	DRH1275	DRH1275	DRH1274
NSP	11	Warranty	Not used	ARY7158	Not used	Not used
D	12	Caution Card SB	Not used	Not used	ARM7064	Not used
NSP	13	Name Label	Not used	Not used	Not used	DAL1290
NSP	14	CCC S & E Label	Not used	Not used	Not used	DRW2310
	19	Packing Case	DHG3431	DHG3430	DHG3432	DHG3434

# 9.2 EXTERIOR SECTION

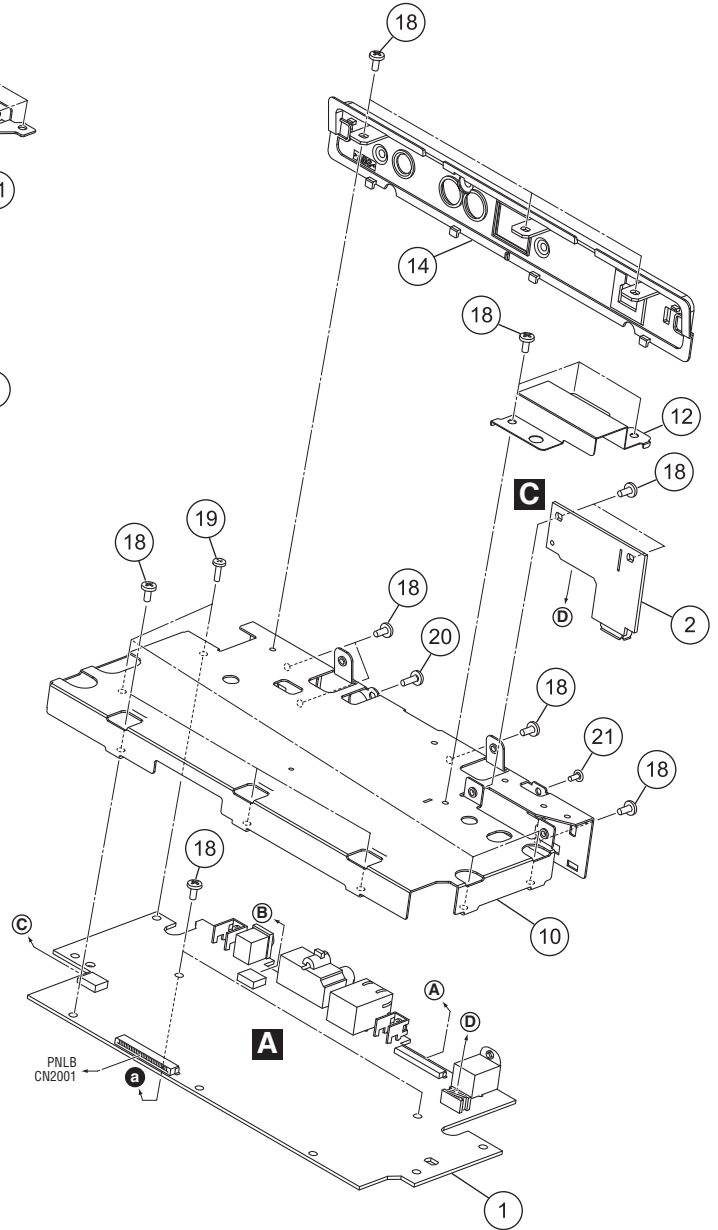
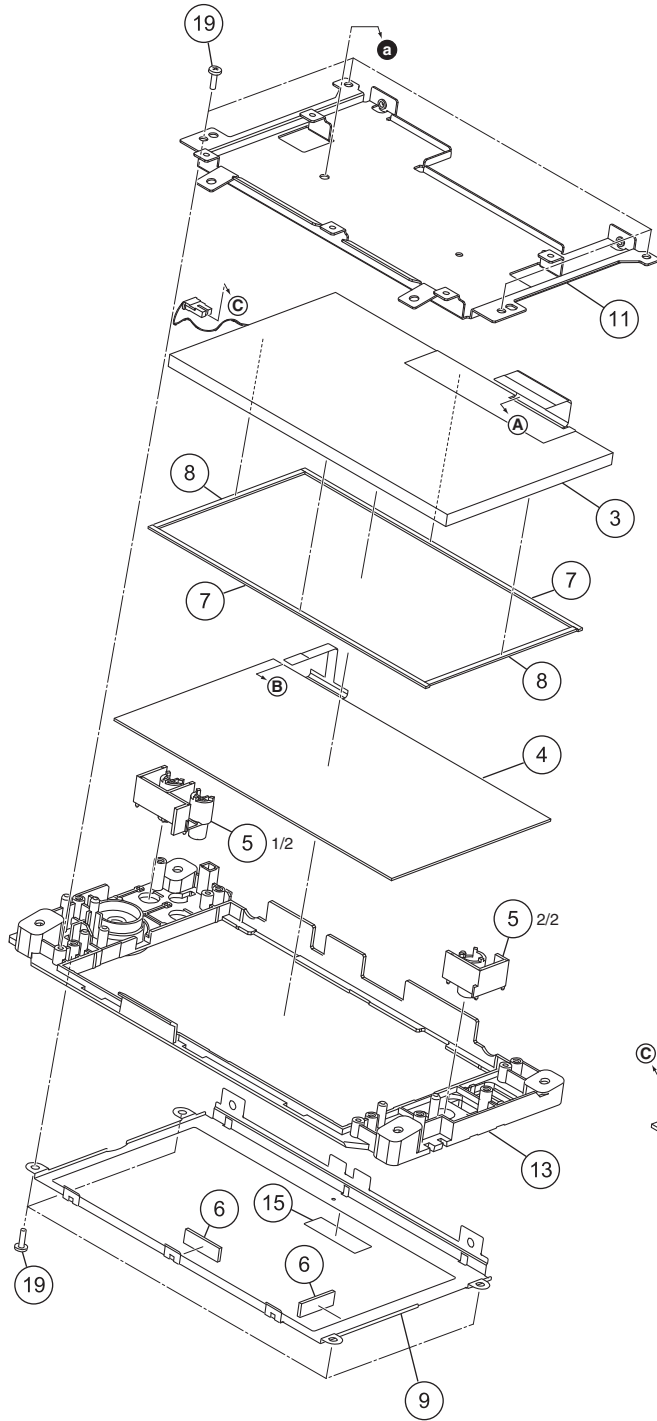


### EXTERIOR SECTION PARTS LIST

	<u>Mark No.</u>	<u>Description</u>	<u>Part No.</u>
A	1	PNLB Assy	DWX3745
	2	PSWB Assy	DWX3748
	3	TXLB Assy	DWX3750
	4	FFC	DDD1725
	5	Power Knob	DAC2306
B	6	Coil Spring	DBH1811
	7	Cover	DEC3623
	8	Stay	DNF1970
	9	Hook	DNK6529
	10	Rubber Foot	VEB1349
C	11	Dial Knob	DAA1259
	12	Cover/USB	DNK6041
	13	Leg	DNK6526
	14	Play Button	DAC2682
	15	Button/SRC	DAC3028
D	16	Button/REL	DAC3030
	17	Button/LOP	DAC3074
	18	Button/TSR	DAC3076
	19	Button	DAC3146
	20	Slide Sheet 1C	DAH2404
E	21	Panel	DAH3056
	22	Sheet	DEC3624
	23	Knob/SLD	DNK5981
	⚠ 24	Control Panel	DNK6527
	⚠ 25	Chassis	DNK6521
F	26	.....	
	27	Screw	BBZ30P060FTB
	28	Screw	BPZ30P080FNI
	29	Screw	BPZ30P080FTB

5 6 7 8

# 9.3 DISPLAY SECTION



# DISPLAY SECTION PARTS LIST

<u>Mark No.</u>	<u>Description</u>	<u>Part No.</u>
-----------------	--------------------	-----------------

A

1	MAIN Assy	DWX3744
2	USBA Assy	DWX3749
3	TFT LCD	CWX4352
4	Touch Panel	DSX1130
5	Button	DAC3145

B

6	Packing/LCD	DEC3565
7	Packing/L	DEC3568
8	Packing/S	DEC3569
9	Bracket	DNH3234
10	Shield Case	DNH3235

B

11	Stay	DNH3236
12	Bridge	DNH3242
13	Base	DNK6525
14	Rear Panel	DNK6528
15	Tape	DEC3655

C

16	.....	
17	.....	
18	Screw	BBZ30P060FTB
19	Screw	BPZ26P080FTC
20	Screw	BPZ30P080FNI

C

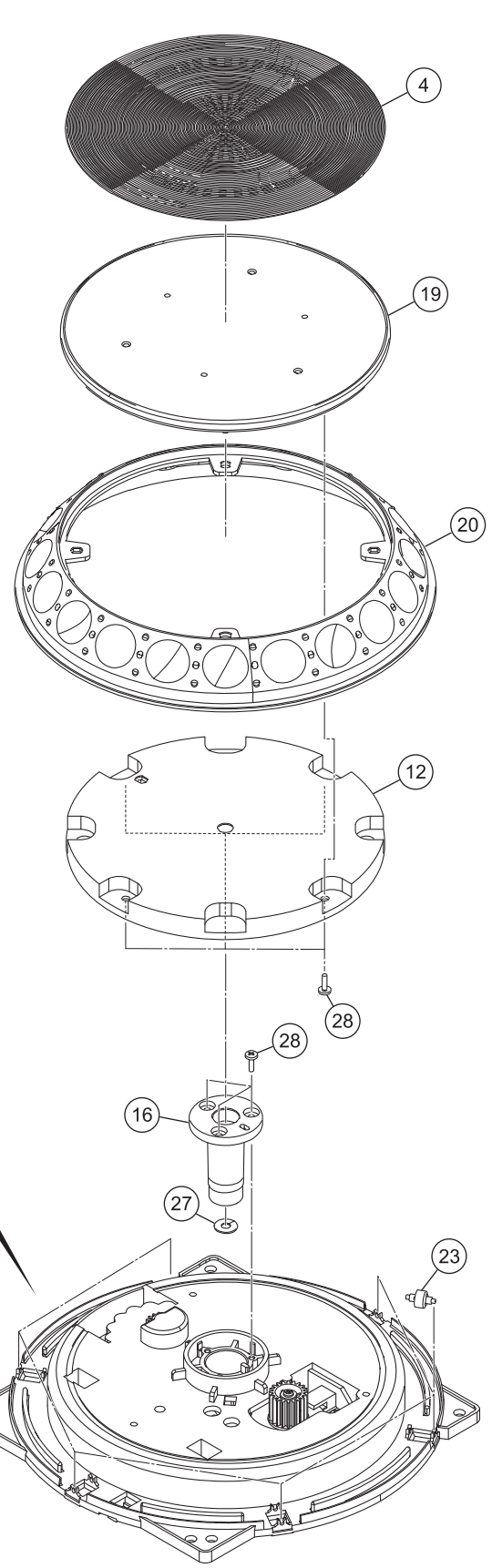
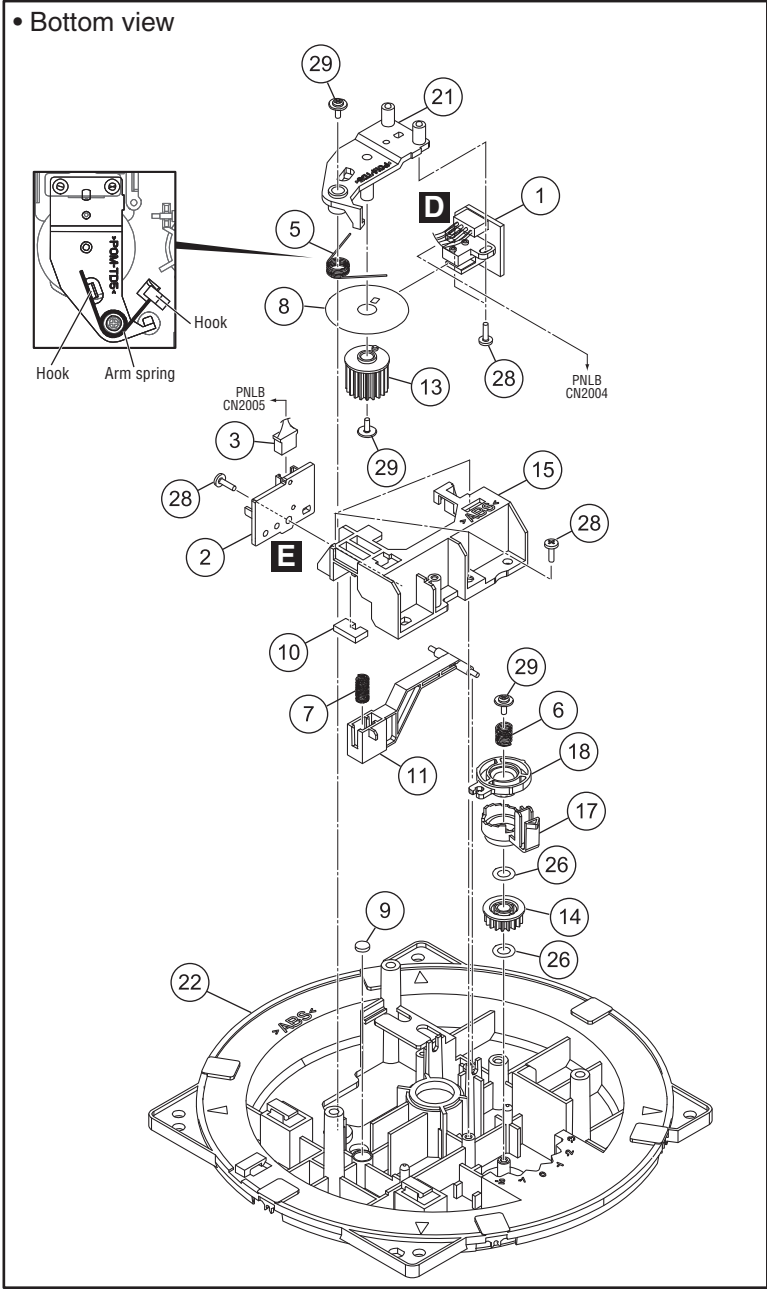
21	Screw (M3*5)	DBA1340
----	--------------	---------

D

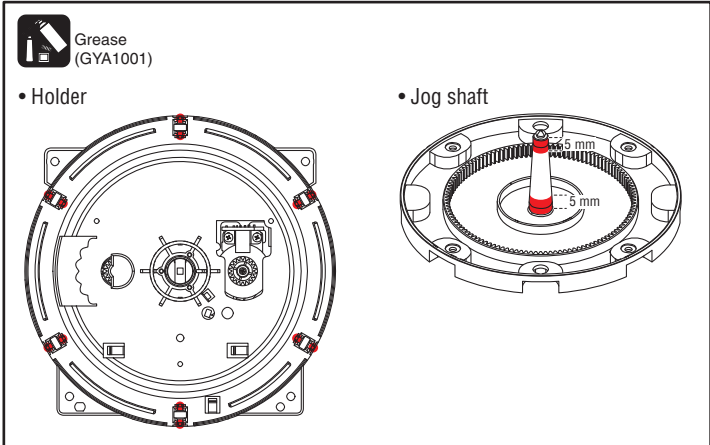
E

F

# 9.4 JOG DIAL SECTION



## Locations of grease application / グリス塗布位置



### JOG DIAL SECTION PARTS LIST

	<u>Mark No.</u>	<u>Description</u>	<u>Part No.</u>
A	1	JOGB Assy	DWX3746
	2	TCHB Assy	DWX3747
	3	Connector Assy	PF03PP-B17
	4	Plate	DAH3058
	5	Arm Spring	DBH1612
	6	Load Spring	DBH1676
	7	Lever Spring	DBH1726
	8	Encoder Plate	DEC2889
	9	Lever Cushion (A)	DEC3001
	10	Cushion	DEC3654
B	11	Jog Lever	DNK4763
	12	Jog Shaft	DNK4934
	13	Encoder Gear	DNK4937
	14	Load Gear	DNK5178
	15	Lever Holder	DNK5206
	16	Shaft Holder	DNK5514
	17	Cam Plate	DNK5546
	18	Push Plate	DNK5547
	19	Jog Dial A	DNK5574
	20	Jog Dial	DNK6522
C	21	Arm	DNK6523
	22	Holder	DNK6524
	23	Roller A Assy	DXB1825
	24	.....	
	25	.....	
	26	Washer	WA41D070D025
	27	Washer	WT32D080D050
	28	Screw	BPZ20P060FTC
	29	Screw (FE)	DBA1265
D			
E			
F			



5 6 7 8

# 12. PCB PARTS LIST

**NOTES:**

- Parts marked by "NSP" are generally unavailable because they are not in our Master Spare Parts List.
- The  $\Delta$  mark found on some component parts indicates the importance of the safety factor of the part. Therefore, when replacing, be sure to use parts of identical designation.
- When ordering resistors, first convert resistance values into code form as shown in the following examples.

*Ex.1* When there are 2 effective digits (any digit apart from 0), such as 560 ohm and 47 k ohm (tolerance is shown by J = 5%, and K = 10%).

560  $\Omega$   $\rightarrow$  56  $\times 10^1$   $\rightarrow$  561 ..... RD1/APU  $\boxed{5}$   $\boxed{6}$   $\boxed{7}$  J  
 47 k $\Omega$   $\rightarrow$  47  $\times 10^3$   $\rightarrow$  473 ..... RD1/APU  $\boxed{4}$   $\boxed{7}$   $\boxed{3}$  J  
 0.5  $\Omega$   $\rightarrow$  R50 ..... RN2H  $\boxed{R}$   $\boxed{5}$   $\boxed{0}$  K  
 1  $\Omega$   $\rightarrow$  1R0 ..... RSIP  $\boxed{7}$   $\boxed{R}$   $\boxed{0}$  K

*Ex.2* When there are 3 effective digits (such as in high precision metal film resistors).

5.62 k $\Omega$   $\rightarrow$  562  $\times 10^1$   $\rightarrow$  5621 ..... RN1/4PC  $\boxed{5}$   $\boxed{6}$   $\boxed{2}$   $\boxed{7}$  F

Mark No.	Description	Part No.	Mark No.	Description	Part No.
<b>LIST OF ASSEMBLIES</b>					
	1..MAIN ASSY	DWX3744	Q	1107,1204	LTC014YEB
			Q	1108	LTA024EEB
NSP	1..PNL ASSY	DWM2581	Q	1203	LSAR523UB
	2..PNLB ASSY	DWX3745	$\Delta$ Q	1301,1304,1308	RSQ035P03
	2..JOGB ASSY	DWX3746	Q	1309	RN2903
	2..TCHB ASSY	DWX3747			
	2..PSWB ASSY	DWX3748	Q	1310	RTQ040P02
	2..USBA ASSY	DWX3749	Q	1312	HN1C01FU
NSP	2..TXLB ASSY	DWX3750	D	1,851,854-856	DA2J101
			D	701-703	DB3S308F0
			D	704,706,1303	RB060M-30

Mark No.	Description	Part No.	Mark No.	Description	Part No.
			D	705,860	DB2J41100
			D	859,863,1305,1308	DA2J101
			D	862,1206,1301	DZ2J062M0
			D	864,901	RB501VM-40
			D	1101-1104	DAN217UM
			D	1113,1114	SML-D12U8W
			D	1202	DZ2J051M0
			D	1304	DZ2J150M0
			D	1309,1311	DA2J101

**A MAIN ASSY**  
**SEMICONDUCTORS**

	IC 2	H337S3959
	IC 3,502	TC7WHU04FK
	IC 6	PST8430N
	IC 7	TC7SH08FUS1
	IC 10	TC7SH04FUS1
	IC 11,14	M14D51216322R5BG2K
	IC 301	D810K013DZKB400
	IC 302	M12L2561616A-5TG2S
	IC 501	TC7SG08FU
$\Delta$	IC 701	BD81A04EFV-M
$\Delta$	IC 702	R1290K103A
$\Delta$	IC 851	NJM2878F3-33
	IC 852	PCM1742KE
$\Delta$	IC 853	NJM2872BF05
$\Delta$	IC 854	NJW4191R-A
	IC 855	NJM4580MD
$\Delta$	IC 856	NJM2831F09
$\Delta$	IC 1201,1301-1303	BD9328EFJ
$\Delta$	IC 1202	TPS2557DRB
	IC 1203	LAN8720A-CP

**MISCELLANEOUS**

L	1,2	INDUCTOR	CTF1394
L	6	CHIP BEEDS FILTER	BTX1047
L	304,305	CHIP BEADS	VTL1128
L	705,1302	SMD SPL INDUCTOR	CTH1527
L	706,1301	CHOKE COIL	CTH1426
L	707-724,730,731	CHIP BEADS	VTL1126
L	725	INDUCTOR	CTF1635
L	726,727	CHIP INDUCTOR(10U)	DTL1105
L	728	CHIP BEEDS FILTER	BTX1042
L	729	INDUCTOR	LCTAW101J2520
L	1103,1104	FERRITE BEAD	CTF1528
L	1201,1203	COIL	ATH7015
L	1202	INDUCTOR	CTH1254
L	1205,1206	CHOKE COIL	ATH7098
L	1303	CHOKE COIL	CTH1487
F	1-3,1202	EMI FILTER	CCG1352
F	1201	EMI FILTER	DTL1106
JA	851	RCA JACK/2P	DKB1114
JA	1201	USB CONNECTOR	DKN1237
JA	1202	RJ45 CONNECTOR	AKN7115
JA	1301	DC POWER JACK	DKN1649
KN	1301,1302	SCREW PLATE	VNE1948
S	1101,1103,1104	PUSH SWITCH	CSG1155
S	1102	ENCODER	DSX1082
X	2	CRYSTAL RESONATOR	CSS1825

$\Delta$	IC 1304	MM3529A18P
	Q 1,1202,1302	LTC024EEB
	Q 2,705	RTQ045N03
	Q 701,852,1306	RN4983
	Q 703	2SAR502UB
	Q 851,1205,1303,1305	LSCR523UB
	Q 854,855,858,859	INC2002AC1
	Q 1101,1201	RN1903
	Q 1102,1104	LTC023JEB
	Q 1105,1106	LTA023JEB

XDJ-700

5 6 7 8

23

**Mark No. Description**

**Part No.**

**Mark No. Description**

**Part No.**

A

X 3 RESONATOR CSS1760  
 X 501 RESONATOR CSS1794  
 X 1201 CRYSTAL OSCILLATOR DSS1209  
 CN 701 CONNECTOR CKS4428  
 CN 702 FFC/FPC CONNECTOR CKS6646  
  
 CN 1101 FFC/FPC CONNECTOR CKS6625  
 CN 1103 29P CONNECTOR VKN1321  
 CN 1201 CONNECTOR CKS3561  
 P 1301 PROTECTOR(3.000A) DEK1103  
 VA 1201,1202 SMD VARISTOR EZJZ1V80010  
  
 VA 1301 VARISTORS EZJZ1V270RM

R 889,891 RN1/16SE2201D  
 R 894,895 RS1/10SR473J  
 R 900 RS1/4SA332J  
 R 903,904 RN1/16SE4700D  
  
 R 912,1362 RS1/10SR0R0J  
 R 918 RS1/16SS6801D  
 R 1108 RAB4CQ223J  
 R 1115 RS1/10SR391J  
 R 1116 RS1/10SR301J  
  
 R 1203,1305,1324,1344 RS1/10SR220J  
 R 1205 RS1/10SR1100D  
 R 1206 RS1/16SS4702D  
 R 1213,1307,1329 RS1/16SS2702F  
 R 1214 RS1/16SS5602F

**RESISTORS**

B

R 18,23,504 RAB4CQ472J  
 R 48,49 RS1/16SS5601F  
 R 68,84-87 RAB4CQ220J  
 R 70,71 RS1/16SS82R0F  
 R 90 RS1/16SS4300D  
  
 R 91-103,122-125 RAB4CQ220J  
 R 133,134,141,142 RAB4CQ330J  
 R 150 RAB4CQ330J  
 R 301-305,314,318 RAB4CQ220J  
 R 321,322,324,325 RAB4CQ221J

R 1240 RS1/16SS1501F  
 R 1241-1243,1245 RS1/10SR49R9F  
 R 1248 RS1/10SR102J  
 R 1301,1315,1341,1342 RS1/4SA0R0J  
 R 1309,1331,1347 RS1/16SS1002F  
  
 R 1345 RS1/16SS3301F  
 R 1346 RS1/16SS5600F  
 Other Resistors RS1/16SS###J

**CAPACITORS**

C

R 323,907,908,911 RS1/10SR0R0J  
 R 707 RS1/16SS3603D  
 R 708 RS1/16SS6802D  
 R 709 RS1/16SS3901D  
 R 710 RS1/16SS5100F  
  
 R 714 RS1/16SS3302D  
 R 715 RS1/16SS2202D  
 R 718 RS1/16SS1103D  
 R 719,1207,1238 RS1/16SS1002D  
 R 720,730,793,794 RS1/4SA2R7J

C 1,3-15,18 CKSSYB104K10  
 C 16,1240,1310,1374 CKSSYB223K16  
 C 17,31,502 CGSSCH100D50  
 C 19,21,25,33 CKSSYB104K10  
 C 20,35 CCSSCH7R0D50  
  
 C 22-24,26,29 CKSSYB103K16  
 C 30,34,36,68 CKSSYB103K16  
 C 32 CKSSYB222K50  
 C 37,45,47,51 CKSSYB104K10  
 C 39-42,44,46 CKSSYB102K50

D

R 721,724 RS1/16SS1502D  
 R 723 RS1/16SS8201D  
 R 728 RS1/16SS1203D  
 R 729 RS1/16SS1602D  
 R 731 RS1/16SS3303D  
  
 R 732 RS1/16SS5601D  
 R 733 RS1/16SS3902D  
 R 735-739 RAB4CQ220J  
 R 740-743 RAB4CQ820J  
 R 748,768,783 RS1/16SS39R0D

C 43,749,750,1226 CKSRYB105K10  
 C 48-50,55,57 CKSSYB102K50  
 C 52,54,117 CCG1192  
 C 53,56,58,60 CKSSYB104K10  
 C 59,61,70,71 CKSSYB102K50  
  
 C 62-67,72-77 CKSSYB104K10  
 C 69,96-101 CKSSYB103K16  
 C 78,102-107,135 CKSSYB102K50  
 C 79-95,110-115 CKSSYB104K10  
 C 118 CEHVAV221M6R3

E

R 750,772 RS1/16SS47R0D  
 R 754,769 RS1/16SS75R0F  
 R 766,770 RS1/16SS1300D  
 R 767 RS1/16SS51R0D  
 R 771,775 RS1/16SS82R0D  
  
 R 773 RS1/16SS56R0D  
 R 774 RS1/16SS1800D  
 R 776-779 RAB4CQ0R0J  
 R 790,792 RAB4CQ473J  
 R 869,870 RS1/16SS5101F

C 120-122,136,138 CCG1192  
 C 127,128,139,142 CKSSYB104K10  
 C 137,140,141 CGSSCH102J50  
 C 143,156,158,308 CCG1192  
 C 144-146,153,155 CKSSYB104K10  
  
 C 147-152,154 CGSSCH102J50  
 C 157,166,312,313 CKSSYB104K10  
 C 159-165,167-169 CGSSCH102J50  
 C 301-305,310,311 CKSSYB103K16  
 C 309,777,879,1209 CCG1192

F

R 871,872 RN1/16SE3902D  
 R 877,878 RN1/16SE2200D  
 R 879,880,886,887 RN1/16SE2201D  
 R 881,882 RN1/16SE3301D  
 R 883 RS1/16SS2201D  
  
 R 884 RS1/16SS5602D

C 316-319,321,323 CKSSYB103K16  
 C 320,322,324,326 CKSSYB102K50  
 C 325,327,329,331 CKSSYB103K16  
 C 328,330,332,334 CKSSYB102K50  
 C 333,335,337,339 CKSSYB103K16  
  
 C 336,338,340,342 CKSSYB102K50

Mark No.	Description	Part No.
C	341,343,357,501	CKSSYB103K16
C	344,704,726,741	CKSSYB102K50
C	355,862,872,877	CCSSCH101J50
C	359,503,505,506	CKSSYB104K10
C	504	CCSSCH120J50
C	507,707,730,866	CKSSYB103K16
C	508,856,864,868	CCSSCH102J50
C	701,728,731	DCH1263
C	702,723	CKSSYB224K6R3
C	705,751-753,781	CKSSYB104K10
C	706,938,1335	CKSRYB105K16
C	708,719,792	CKSSYB105K6R3
C	709,711	CKSQYB105K25
C	712,1234	CKSQYB475K6R3
C	713,870	CCSQCH472J50
C	715,718,733	CKSSYB104K16
C	716,717,778	CKSQYB474K25
C	720,743	CKSQYB225K16
C	725,745	CKSYB475K16
C	729	CKSSYB561K50
C	732	CKSSYB332K50
C	734-736,738,774	DCH1263
C	737	CEHVV470M16
C	742	CCG1254
C	746-748,779,780	CKSSYB104K16
C	754	DCH1246
C	769,785,787,793	CKSSYB102K50
C	770,775	CCG1201
C	771	CKSSYB103K25
C	782,882,888,1316	CKSRYB104K50
C	790,942,1202,1203	DCH1263
C	791,855,865,869	CKSSYB104K16
C	794,906,912,1101	CKSSYB102K50
C	795-813	CCSSCH100D50
C	859	CKSRYB474K10
C	871,884,941,1208	CKSSYB103K16
C	874,878,899,917	CCH1565
C	875,883,926,934	CCSSCH102J50
C	876	CCSSCH471J50
C	881	CFHXSQ103J16
C	893	CEHVAW470M16
C	897,898	CEHVAW101M16
C	900	CKSRYB224K25
C	907,908	CCSRCH561J50
C	910,911	CCSRCH681J50
C	913	CFHXSQ472J16
C	920,940,1355	CCH1565
C	921,932,1204,1206	CKSSYB104K16
C	924,1344,1348,1368	CCSSCH101J50
C	928,929	CCH2090
C	943,944	CFHXSQ102J50
C	946	CCSRCH102J50
C	948,1304,1321,1346	CCSSCH102J50
C	1102,1205	CKSSYB102K50
C	1103,1111,1114,1117	CKSSYB104K10
C	1121,1123	CCSSCH221J50
C	1207,1225,1301,1317	CKSSYB104K16
C	1211	CKSRYB225K6R3
C	1213,1334,1347,1378	CEVW101M16

Mark No.	Description	Part No.
C	1214,1217,1228,1232	CKSSYB103K16
C	1215,1218,1219,1239	CCG1192
C	1216,1223,1224	CKSSYB104K10
C	1220,1221	CCSRCK2R0C50
C	1222	CEVW471M10
C	1227	CKSSYB471K50
C	1229-1231,1233,1385	CKSSYB104K10
C	1243,1311,1330,1386	CCG1192
C	1302,1303,1319,1320	DCH1263
C	1305	CCSRCH222J50
C	1307,1308,1324,1325	CKSSYB103K16
C	1315	CEVW330M10
C	1323,1326	CKSRYB103K50
C	1328,1338	CKSQYB104K25
C	1329	CKSSYB183K16
C	1336,1349,1371,1372	CKSSYB103K16
C	1340,1345,1350,1377	CKSSYB104K16
C	1351,1369	CCSSCH102J50
C	1352	CFHXSP104J16
C	1354,1375,1376,1382	DCH1263
C	1359	ACE7115
C	1360	ACE7129
C	1379-1381,1383	CKSSYB104K16
C	1384	CKSSYB333K16

## **B** PNLB ASSY SEMICONDUCTORS

IC 2001	DYW1885*
*Part number of the initial firmware equipped	
IC 2002	TC7WH04FU
IC 2003	PST8430N
Q 2001,2002	LTC123JUB
Q 2003-2005,2007	LTC124EUB
Q 2006,2008	LTC114YUB
Q 2009-2011	LTC124EUB
D 2001,2002,2005-2007	SLI-343Y8Y
D 2003,2004	LTL17KGH5D
D 2010	SLR343BC4T
D 2011	LTL17KRH5D

## MISCELLANEOUS

VR 2001 SLIDE VR	DCV1033
S 2001,2002 TACT SWITCH	DSG1117
S 2003-2006,2010-2012 TACT SWITCH	DSG1089
S 2007-2009 TACT SWITCH	DSG1079
X 2001 CERAMIC RESONATOR	DSS1131
CN 2001 29P CONNECTOR	VKN1260
CN 2004 L-PLUG(4P)	KM200NA4L
CN 2005 L-PLUG(3P)	KM200NA3L
JH 2001 3P CABLE HOLDER	51048-0300
JP 2001 JUMPER WIRE	D20PDY0320E

## RESISTORS

R 2029	RS1/8SQ105J
Other Resistors	RS1/10SR###J

## CAPACITORS

C 2004,2005,2008,2012	CKSRYB104K16
C 2009	CEHAS470M16
C 2011,2020,2021	CKSRYB103K50
C 2016-2018,2025,2026	CCSRCH102J50
C 2022,2023	CKSRYB474K10

Mark	No.	Description	Part No.
A	C	2024,2037,2039,2040	CKSRYB104K16
	C	2027	CEHAS101M10
	C	2028,2029,2042	CCSRCH102J50
	C	2032-2034,2036	CKSRYB103K50
	C	2041	CKSRYB103K16
■	C	2043	CKSRYB273K16
	C	2044,2054	CKSRYB104K16
	C	2053	CEJQ470M16

## **C** USBA ASSY SEMICONDUCTORS

B	D	2801	DZ2S180C
---	---	------	----------

### MISCELLANEOUS

	JA	2801	USB JACK	DKB1118
	CN	2801	PLUG	CKS3533
	VA	2801,2802	SMD VARISTOR	EZJZ1V80010

### CAPACITORS

■	C	2801	CCSRCJ3R0C50
---	---	------	--------------

## **D** JOGB ASSY

### MISCELLANEOUS

C	CN	2501	DKP3864
	PC	2501	KE-2K18-15

### RESISTORS

	All	Resistors	RS1/10SR###J
--	-----	-----------	--------------

### CAPACITORS

■	C	2501	CKSRYB225K6R3
	C	2502	CKSRYB103K50

## **E** TCHB ASSY

### SEMICONDUCTORS

D	Q	2601	LSC4081UB
	D	2601	DA2J101

### MISCELLANEOUS

■	CN	2601	L-PLUG(3P)	KM200NA3L
	PC	2601	PHOTO INTERRUPTER	GP1S094HCZ0F

### RESISTORS

	All	Resistors	RS1/10SR###J
--	-----	-----------	--------------

### CAPACITORS

E	C	2601	CKSRYB104K16
---	---	------	--------------

## **F** PSWB ASSY

### MISCELLANEOUS

■	S	2701	PUSH SW	ASG1102
	CN	2701	3P JUMPER CONNECTOR	52147-0310

### RESISTORS

	All	Resistors	RS1/10SR###J
--	-----	-----------	--------------