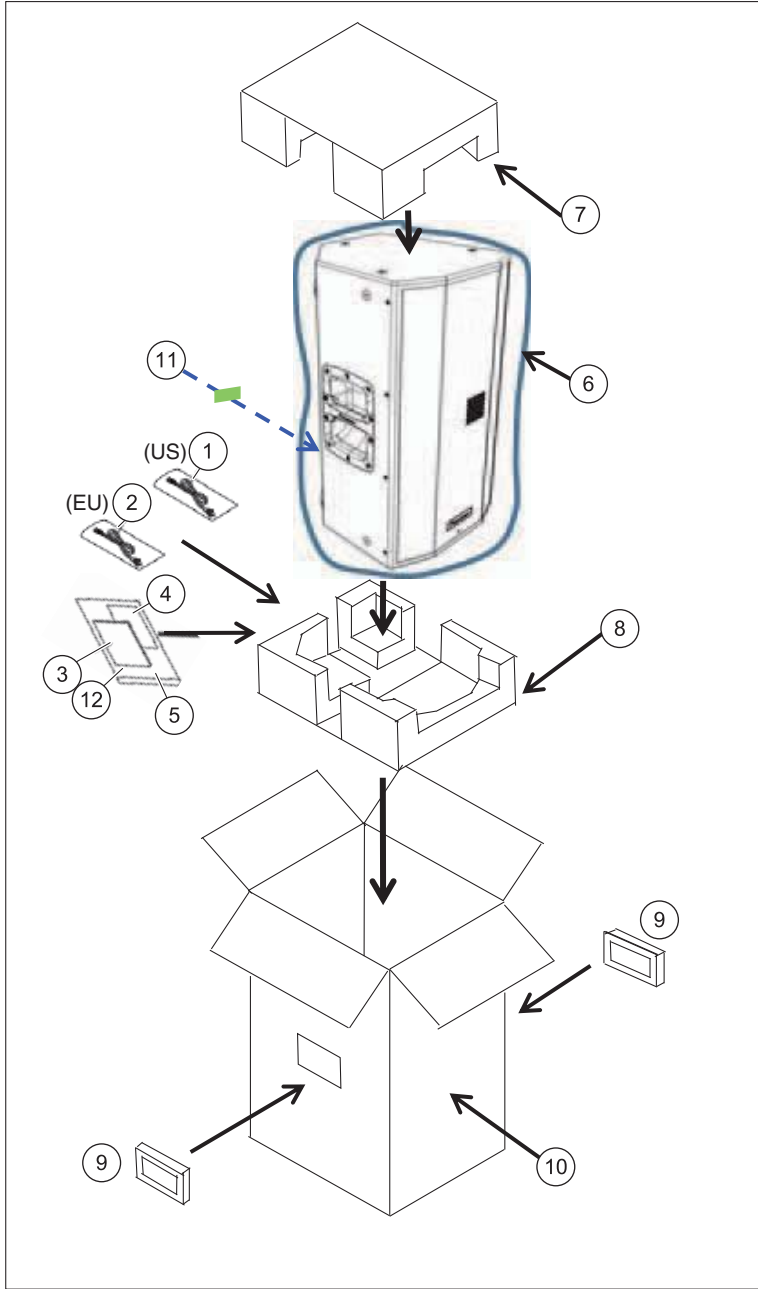


9. EXPLODED VIEWS AND PARTS LIST

- NOTES:**
- Parts marked by "NSP" are generally unavailable because they are not in our Master Spare Parts List.
 - The \triangle mark found on some component parts indicates the importance of the safety factor of the part. Therefore, when replacing, be sure to use parts of identical designation.
 - For the applying amount of lubricants or glue, follow the instructions in this manual. (In the case of no amount instructions, apply as you think it appropriate.)

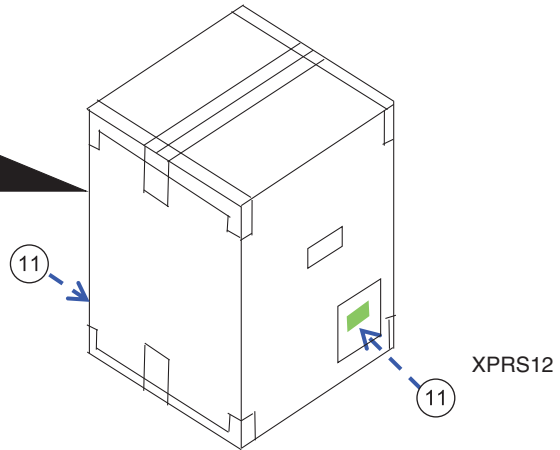
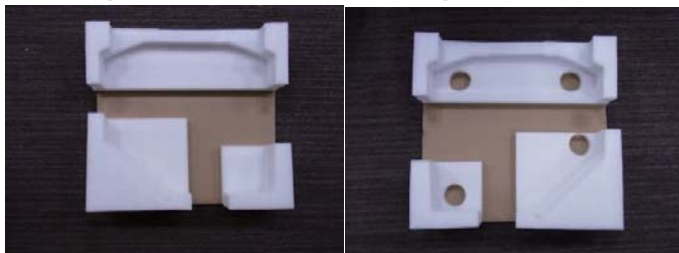
9.1 PACKING SECTION

9.1.1 XPRS12, XPRS15

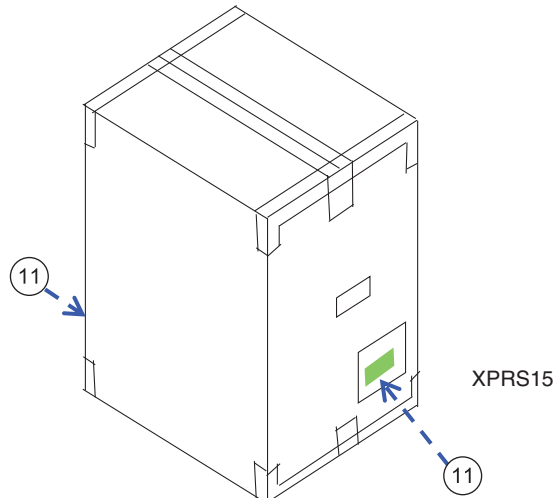


7 Upper Pad

8 Lower Pad



XPRS12



XPRS15

(1) PACKING SECTION PARTS LIST

<u>Mark No.</u>	<u>Description</u>	<u>Part No.</u>	<u>Mark No.</u>	<u>Description</u>	<u>Part No.</u>
⚠	1 AC cord (US)	02000606	7	Protector (Upper Pad)	See Contrast table (2)
⚠	2 AC cord (EU)	02000607	8	Protector (Lower Pad)	See Contrast table (2)
	3 Operating instructions	DRB1748	9	Carton box grip	00107023
	4 Caution sheet	DRM1416	10	Packing case	See Contrast table (2)
NSP	5 Polyethylene bag	-----	NSP 11	Serial label	-----
	6 Polyethylene bag	See Contrast table (2)	NSP 12	Warranty sheet	-----

(2) CONTRAST TABLE

XPRS12/CMSYXEG and XPRS15/CMSYXEG are constructed the same except for the following:

Mark	No.	Symbol and Description	XPRS12/CMSYXEG	XPRS15/CMSYXEG
	6	Polyethylene bag	04501115	04501117
	7	Protector (Upper Pad)	04401285	04401283
	8	Protector (Lower Pad)	04401286	04401284
	10	Packing case	03602215	03602214

9.2 EXTERIOR SECTION

9.2.1 XPRS12, XPRS15

1

2

3

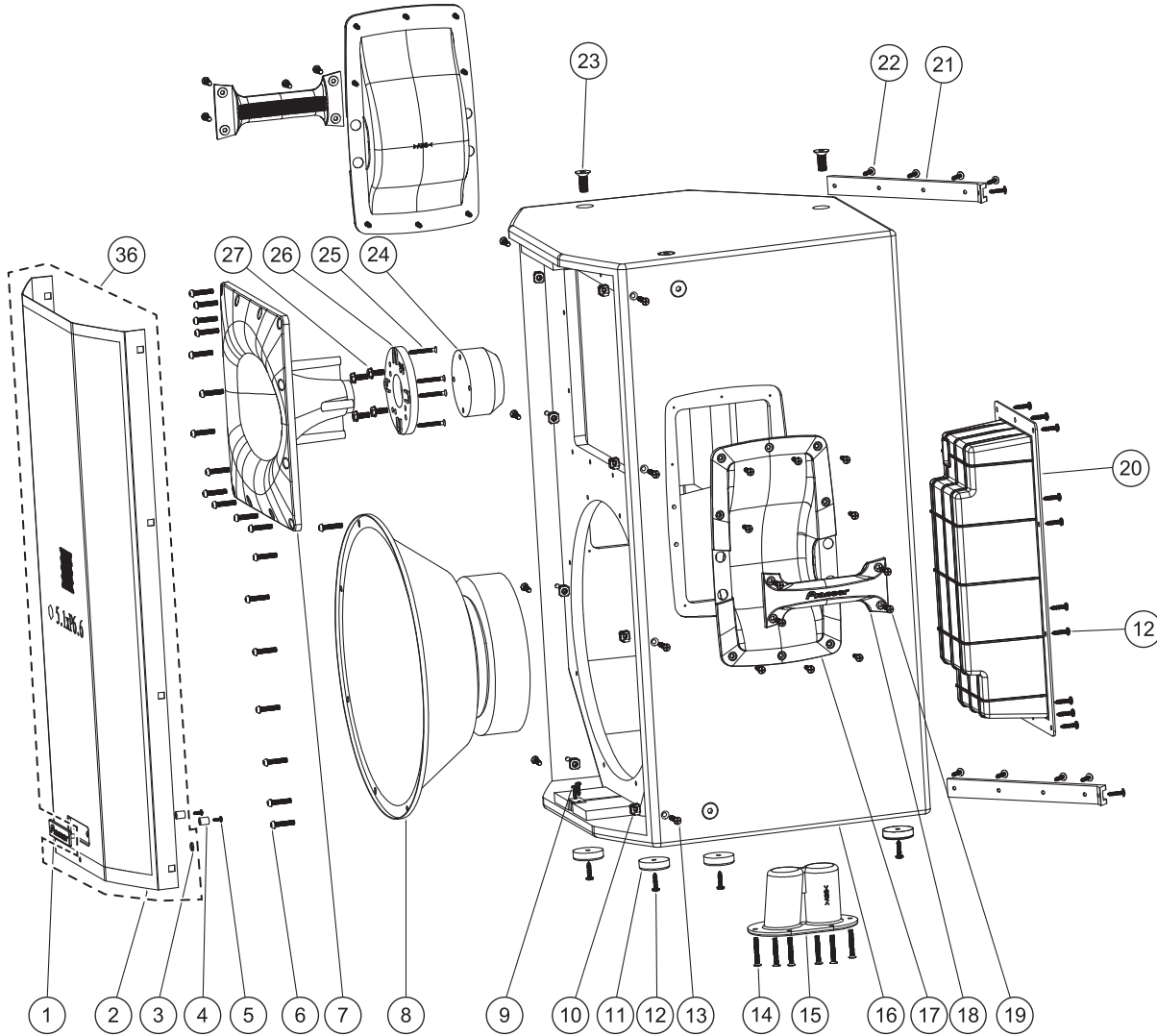
4

A

B

C

D



28



33



29



30



34



31 1 mm



35

F



32 2 mm

1

2

3

4

(1) EXTERIOR SECTION PARTS LIST

<u>Mark No.</u>	<u>Description</u>	<u>Part No.</u>	<u>Mark No.</u>	<u>Description</u>	<u>Part No.</u>
NSP 1	Badge	-----	19	Screw	08001481
2	Punching net ASSY	See Contrast table (2)	⚠ 20	Amp module	See Contrast table (2) A
3	Lens	00107164			
NSP 4	Badge adapter	-----	21	Rubber foot (Long shape)	See Contrast table (2)
NSP 5	Screw for Badge	-----	22	Screw	08001750
			23	Screw	08001790
6	Screw	08001426	⚠ 24	Tw driver	00801345
7	Horn	00106982	25	Screw	08001473
8	Woofers	See Contrast table (2)			
9	Screw	08001427	26	Adapter	00105813
NSP 10	Nut for Punching net ASSY (*Included in Punching net ASSY)	-----	27	Screw	08001474
11	Rubber foot (Round shape)	08600678	28	Ferrite core	06001023
12	Screw	08001428	29	LED ASSY	06603310 B
13	Screw	08001425	30	Band	08500143
14	Screw	08001751			
15	Pole socket	00106985	31	Gasket	08700759
			32	Gasket	08700938
			33	Gasket	08701144
NSP 16	Cabinet	-----	34	Connecting cord (LED)	02101312
17	Handle cover	See Contrast table (2)	35	Speaker cable	02201080
18	Handle	01401983	36	GRILLE ASSY	See Contrast table (2)

(2) CONTRAST TABLE

XPRS12/CMSYXEG and XPRS15/CMSYXEG are constructed the same except for the following:

<u>Mark</u>	<u>No.</u>	<u>Symbol and Description</u>	<u>XPRS12/CMSYXEG</u>	<u>XPRS15/CMSYXEG</u>
⚠	2	Punching net Assy	01301459	01301460
	8	Woofers	00801305	00801307
	17	Handle cover	00106986	00106981
	20	Amp module	PF00V336	PF00V346
	21	Rubber foot (Long shape)	08600986	08600985
	36	GRILLE ASSY*	DZW1220	DZW1221

*GRILLE ASSY is supplied in a state in which the gasket is adhered.