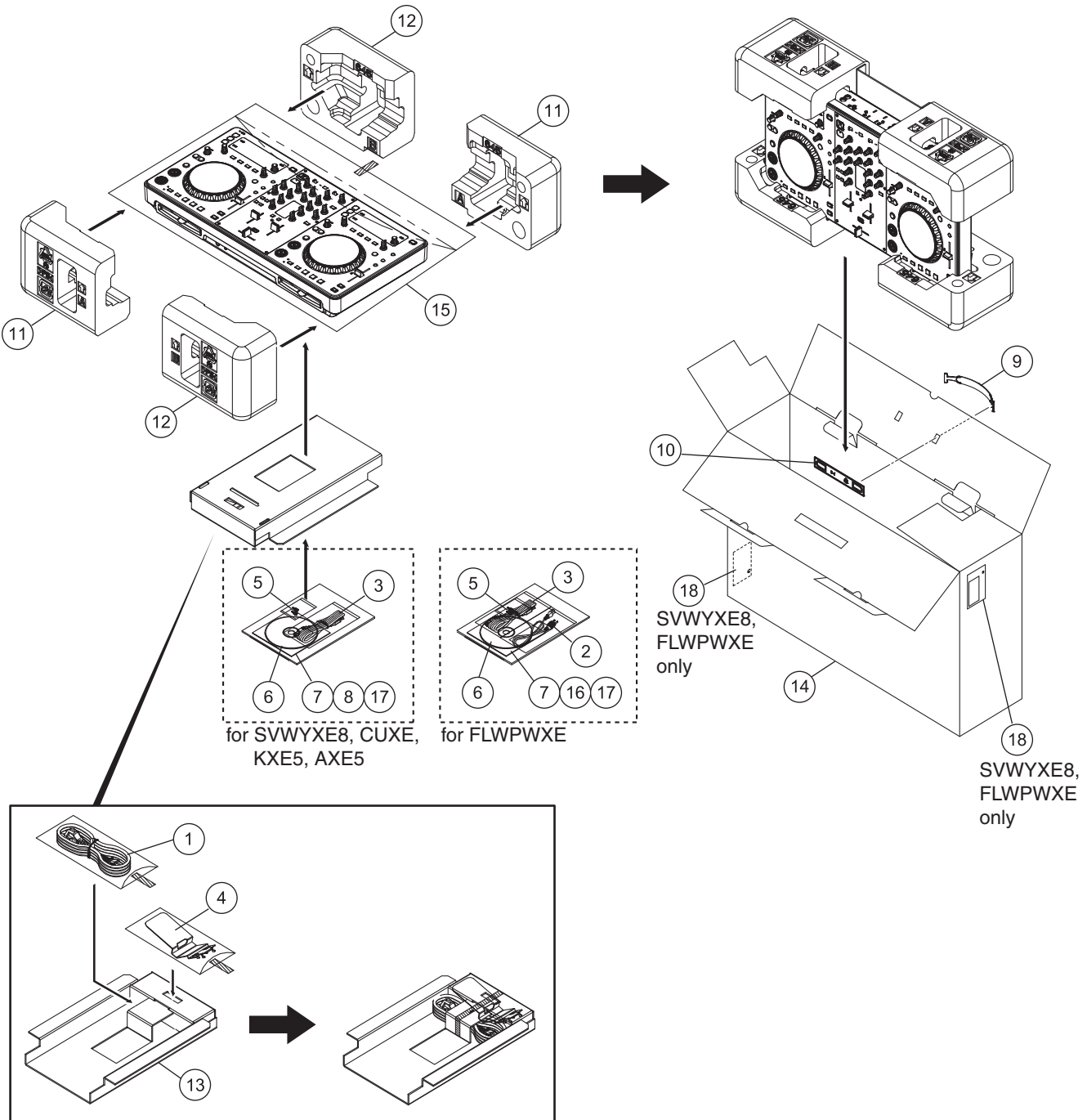


9. EXPLODED VIEWS AND PARTS LIST

NOTES: ● Parts marked by "NSP" are generally unavailable because they are not in our Master Spare Parts List.

- The \triangle mark found on some component parts indicates the importance of the safety factor of the part. Therefore, when replacing, be sure to use parts of identical design.
- Screws adjacent to ∇ mark on product are used for disassembly.
- For the applying amount of lubricants or glue, follow the instructions in this manual. (In the case of no amount instructions, apply as you think it appropriate.)

9.1 PACKING SECTION



(1) PACKING SECTION PARTS LIST

<u>Mark No.</u>	<u>Description</u>	<u>Part No.</u>
⚠	1 Power Cord	See Contrast table (2)
⚠	2 Power Cord	See Contrast table (2)
	3 USB Cable	408-100UG-087
	4 Smartphone Stand	703-COMBO-1395
	5 Smartphone Stand Mount Screws	200-BLACK-642
	6 CD-ROM	429-COMBO-144
	7 Read Before Use (Important)/ Quick Start Guide	See Contrast table (2)
	8 Leaflet	502-XDR1-3270
	9 Handle	100-SX-3017
	10 Handle Base	100-SX-3018
	11 Polyform A	506-COMBO-645A
	12 Polyform B	506-COMBO-645B
	13 Paste Board	507-COMBO-3367
	14 Gift Box	See Contrast table (2)
	15 Soft Bag	509-COMBO-319
	16 Caution Sheet	See Contrast table (2)
	17 About SSIDs and Passwords	501-XJR1-2506
	18 Label	See Contrast table (2)

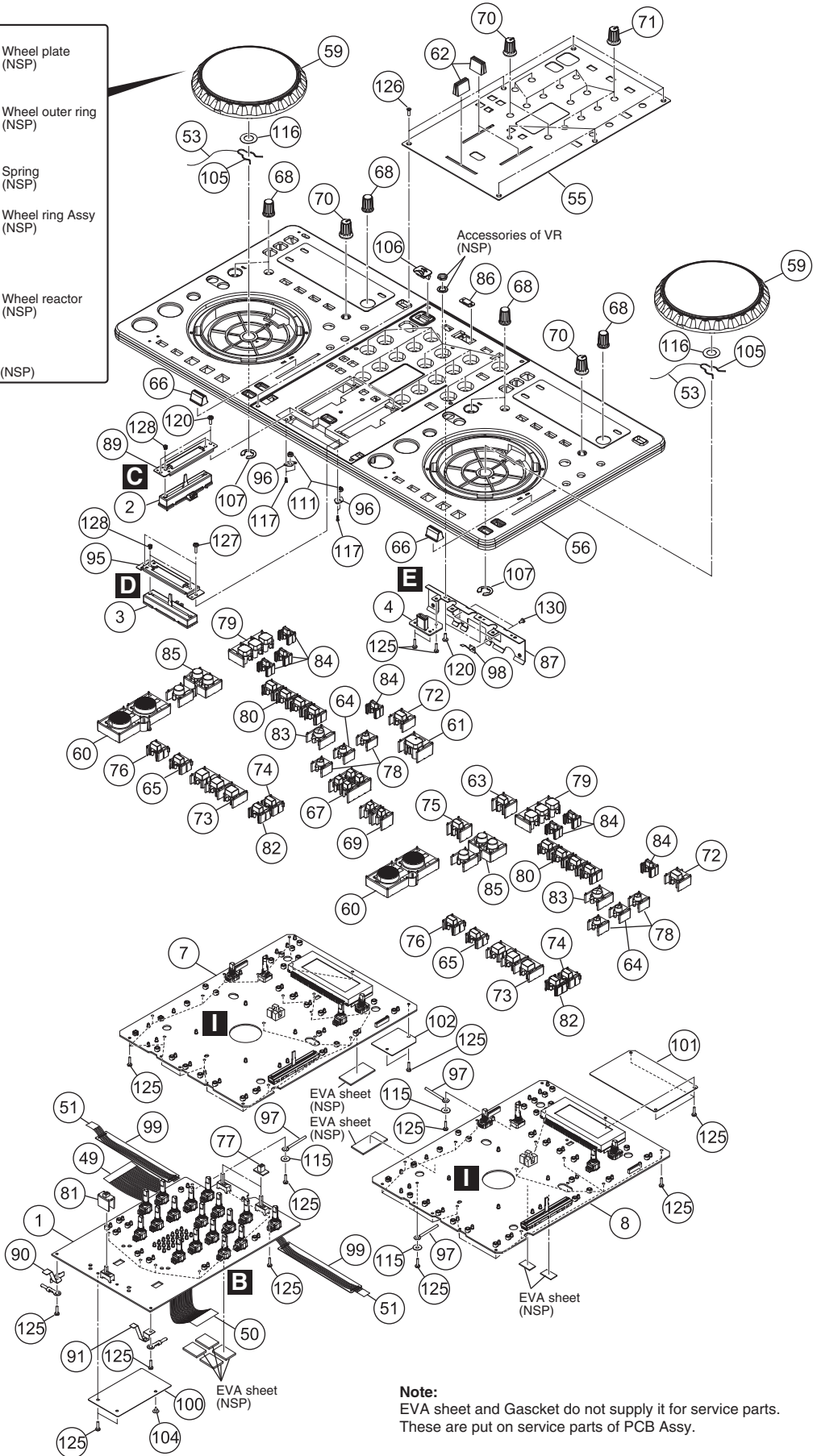
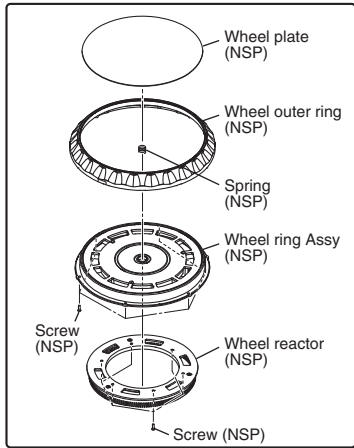
(2) CONTRAST TABLE

XDJ-R1/SVWYXE8, CUXE, FLWPWXE, KXE5 and AXE5 are constructed the same except for the following:

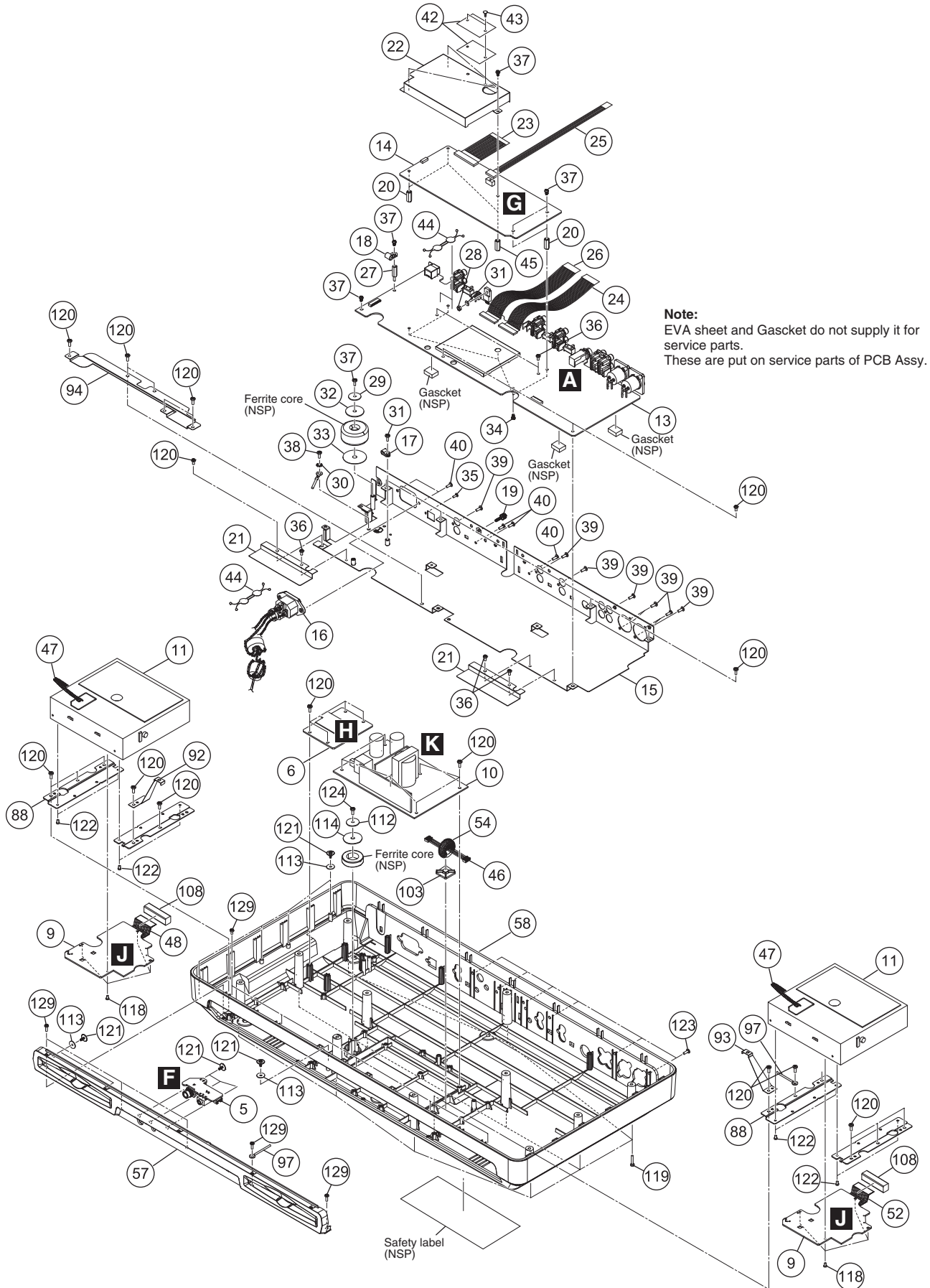
Mark	No.	Symbol and Description	XDJ-R1 /SVWYXE8	XDJ-R1 /CUXE	XDJ-R1 /FLWPWXE	XDJ-R1 /KXE5	XDJ-R1 /AXE5
⚠	1	Power Cord	409-HDJ7100-055D-HA	409-HDJ7100-054D-HA	409-HDJ7100-055D-HA	409-COMBO-224	409-DMX101-218
⚠	2	Power Cord	Not used	Not used	409-COMBO-226	Not used	Not used
	7	Read Before Use (Important)/ Quick Start Guide	502-XDR1B-3272	502-XDR1A-3271	502-XDR1F-3276	502-XDR1E-3275	502-XDR1D-3274
	14	Gift Box	507-R1B-3401	507-R1A-3401	507-R1F-3401	507-R1E-3401	507-R1D-3401
	16	Caution Sheet	Not used	Not used	502-XDR1F-3321	Not used	Not used
	18	Label	501-XJR1B-2576	Not used	501-XJR1B-2576	Not used	Not used

9.2 EXTERIOR SECTION

A
B
C
D
E
F



Note:
EVA sheet and Gascket do not supply it for service parts.
These are put on service parts of PCB Assy.



(1) EXTERIOR SECTION PARTS LIST

	<u>Mark No.</u>	<u>Description</u>	<u>Part No.</u>	<u>Mark No.</u>	<u>Description</u>	<u>Part No.</u>
A	1	MIXER Assy	704-COMBO-A376	46	4P Wire	404-COMBO-3772
	2	CH Assy	704-COMBO-A482	47	3P Wire	404-UJ300KM-3644-HA
	3	CROSS FADER Assy	704-COMBO-A499	48	28P FFC Cable	406-COMBO-1245
	4	USB Assy	704-COMBO-A381	49	38P FFC Cable	406-COMBO-1249
	5	PHONES Assy	704-COMBO-A379	50	36P FFC Cable	406-COMBO-1250
	6	Wi-Fi PCB Assy	704-COMBO-A380	51	8P FFC Cable	406-COMBO-1251
	7	CD1 Assy	704-COMBO-A375	52	28P FFC Cable	406-MEP4-1201-HA
	8	CD2 Assy	704-COMBO-A476	53	Wire	406-S100-031
	9	SERVO Assy	704-COMBO-A377	54	Ferrite Core	415-VP9812-221-HA
	10	SWITCHING POWER	411-COMBO-887	55	Mixer Panel Assy	703-XDJR1-1394
B	11	SLOT-IN FEEDER MECHA Assy	704-MCU300-9997-HA	56	Chassis Assy	701-XDJR1-5329
	12	•••••		57	Front Panel Assy	701-COMBO-5204
	13	I/O Assy	704-COMBO-A378	58	Base Assy	See Contrast table (2)
	14	DSP & POWER Assy	704-COMBO-A531	59	Wheel & Shaft Assy	701-COMBO-5294
	15	Rear Board Assy	703-COMBO-1377	60	PLAY/CUE Button	701-XDJR1-5325
	16	AC Socket Assy	704-COMBO-A483	61	USB Button Assy	701-XDJR1-5326
	17	Cord Bush	100-SDJ2-2553	62	Push Button	100-22-2824-HA
	18	Cord Bush	100-K1-2682-HA	63	AUX Button	100-AUX-2975
	19	Ground Terminal	200-100U-527	64	Round Button	100-BLACK-2968S
	20	Hexagon Pillar	200-COMBO-668	65	CALL Button	100-CALL-2967A
C	21	Isolation Plate	300-COMBO-2063	66	Push Knob	100-CMX4-2906-HA
	22	Isolation Plate	300-COMBO-2075	67	Color Button	100-COLOR-2973S
	23	26P FFC Cable	406-COMBO-1244	68	Encoder Knob	100-COMBO-2962
	24	24P FFC Cable	406-COMBO-1247	69	CUE Button	100-CUE-2974
	25	8P FFC Cable	406-COMBO-1248	70	Rotary Knob	100-DJM100-2826-HA
	26	24P FFC	406-COMBO-1255	71	Rotary Knob	100-DJM250-2826-HA
	27	Spacer Support	504-COMBO-302	72	Eject Button	100-EJECT-2970
	28	Nut (M3*P0.5)	601-A100-004-HA	73	HOTCUE Button	100-HOTCUE-2971S
	29	Fixed Center Washer	606-C426-066	74	MASTER Button	100-MASTER-2967A
	30	Washer	606-4500-123	75	MIC Button	100-MIC-2975
D	31	Nylon Washer	606-500C-265	76	MODE Button	100-MODE-2967A
	32	Washer	606-COMBO-266	77	Push Button	100-MX200-2706-HA
	33	Washer	606-COMBO-267	78	Round Button	100-ROUND-2968
	34	Screw	602-B300-041-HA	79	Source Button	100-SOURCE-2966
	35	Screw	602-DD2220-301-HA	80	SQUARE Button	100-SQUARE-2967
	36	Screw	602-SA12-377-HA	81	Push Button	100-SW-2980S
	37	Screw	602-SA12-380-HA	82	SYNC Button	100-SYNC-2967A
	38	Screw	602-ISOB408-543C	83	TAP Button	100-TAP-2969
	39	Screw	602-PTS308-732B	84	TINY Button	100-TINY-2965S
	40	Screw	602-ISO308-735B	85	TRACK Button	100-TRACK-2964
E	41	•••••		86	Wi-Fi Lens	100-WIFI-2979
	42	Electrical Tape	501-COMBO-2216	87	Transfer Plate	300-COMBO-2034
	43	Canoe Clips (MB-1S)	504-HF6011-5011	88	Mecha Fixed Plate	300-COMBO-2036
	44	Fixed Loop (2A-8)	504-COMBO-300	89	CH Fixed Plate	300-COMBO-2038
	45	Spacer Support	504-QFX-204	90	Ground Plate L	300-COMBO-2064
F						

<u>Mark No.</u>	<u>Description</u>	<u>Part No.</u>	
91	Ground Plate R	300-COMBO-2065	
92	Ground Plate L	300-COMBO-2066	
93	Ground Plate R	300-COMBO-2067	A
94	Join Plate	300-COMBO-2072	
95	Fixed Plate	300-DJM100-1960-HA	
96	Cover	300-DMX101-1993	
97	Locking Cable Clip	300-HM510B-224	
98	Ground Plate	300-SPINU2-1692	
99	Isolation Slice	501-COMBO-2554	
100	Isolation Slice	501-COMBO-2555	
101	Segregate Sheet	501-COMBO-2564	
102	Segregate Sheet	501-COMBO-2568	B
103	Adhesive Mount	504-HDJ7000-032	
104	Canoe Clips	504-HF6011-5011	
105	Spring	603-C304-335	
106	USB Cap	604-COMBO-605	
107	E Ring	606-C304-209	
108	Sponge	612-COMBO-462	
109	•••••		
110	•••••		
111	Nut	601-A100-004-HA	C
112	Fixed Center Washer	606-C426-066	
113	Washer	606-COMBO-264	
114	Washer	606-COMBO-266	
115	Washer	606-KMD280-081-HA	
116	Washer	606-RMP25-257	
117	Screw	602-A700-494-HA	
118	Screw	602-DD2220-301-HA	
119	Screw	602-DJ3000-272	
120	Screw	602-DJ5500-452-HA	D
121	Screw	602-DV300-5023	
122	Screw	602-H888F-308-HA	
123	Screw	602-ISO308-735B	
124	Screw	602-MK7-131-HA	
125	Screw	602-MK8-604	
126	Screw	602-PTF2609-710B	
127	Screw	602-SA12-380-HA	
128	Screw	602-SA12-414	
129	Screw	602-SL24F-099	E
130	Screw	602-ST150-431	

(2) CONTRAST TABLE

XDJ-R1/SVWYXE8, CUXE, FLWPWXE, KXE5 and AXE5 are constructed the same except for the following:

Mark	No.	Symbol and Description	XDJ-R1 /SVWYXE8	XDJ-R1 /CUXE	XDJ-R1 /FLWPWXE	XDJ-R1 /KXE5	XDJ-R1 /AXE5
	58	Base Assy	701-COMBO-5206	701-COMBO-5205	701-COMBO-5340	701-COMBO-5339	701-COMBO-5338

12. PCB PARTS LIST

NOTES: ● Parts marked by "NSP" are generally unavailable because they are not in our Master Spare Parts List.

● The Δ mark found on some component parts indicates the importance of the safety factor of the part. Therefore, when replacing, be sure to use parts of identical designation.

● Although the cables that are directly mounted on each PCB Assy are listed individually as electrical parts of the corresponding PCB Assy in the parts list, those cables are included with each PCB Assy for service when it is supplied.

Mark No.	Description	Part No.
LIST OF ASSEMBLIES		
	I/O ASSY	704-COMBO-A378
	MIXER ASSY	704-COMBO-A376
	CH ASSY	704-COMBO-A482
	CROSS FADER ASSY	704-COMBO-A499
	USB ASSY	704-COMBO-A381
	PHONES ASSY	704-COMBO-A379
	DSP & POWER ASSY	704-COMBO-A531
	Wi-Fi PCB ASSY	704-COMBO-A380
	CD1 ASSY	704-COMBO-A375
	CD2 ASSY	704-COMBO-A476
	SERVO ASSY	704-COMBO-A377

Mark No.	Description	Part No.
W 4	11P WIRE	404-COMBO-3767
W 5	12P WIRE	404-COMBO-3768
0	FUSE.RES	412-SX1800-895

RESISTORS

R 731,732,735,736 CARBON FILM RESISTOR 412-DV300-5118-HA

CAPACITORS

C 527,528,547,548 POLYESTER CAPACITOR 413-3113-060-HA
 C 422-424 ELEC.CAPACITOR 413-007USB-828
 C 631,632 ELEC. CAPACITOR 413-SPPW3-238-HA
 C 419-421,425-432,467,468 ELEC.CAPACITOR 413-SPPW3-235
 C 559,560,623,624,535,536 ELEC.CAPACITOR 413-SPPW3-235
 C 555,556,565,566,575,576 ELEC.CAPACITOR 413-SPPW3-235
 C 453-456 ELEC.CAPACITOR 413-HMA2200-5017-HA
 C 568,570 CAPACITOR 413-SPPW3-236
 C 585,586,613,614,633 ELEC.CAPACITOR 413-MC6000-1191-HA
 C 634,903,904 ELEC.CAPACITOR 413-MC6000-1191-HA

Mark No.	Description	Part No.
A I/O ASSY SEMICONDUCTORS		
Q 401,404	TRANSISTOR	416-CTB200-178-HA
Q 400,803,804	CHIP TRANSISTOR	416-DFX1-201
Q 402,403,405-410,415-417	TRANSISTOR	416-3000-378
Q 419,421-424,427-432	TRANSISTOR	416-3000-378
ZD 400-413	ZENER DIODE	414-COMBO-342
D 401,403,404	ESD DIODE	414-DJ1100G-207
D 412,413,422,423,802,803	TVS DIODE	414-UDJ200-284

C 587,588,605,606,619,620 ELEC. CAPACITOR 413-SPPW3-237-HA
 C 68,71 CHIP CAPACITOR 413-MC6000-1180
 C 577,578 ELEC.CAPACITOR 413-HT801K-192
 C 902 TANTALUM CAPACITOR 413-MAIE-1211
 C 521,522,541,542,597-600 ELEC.CAPACITOR 413-HT801K-193-HA
 C 529,530,549,550 POLYESTER CAPACITOR 413-KT300-103-HA

B MIXER ASSY SEMICONDUCTORS

Q 219 TRANSISTOR 416-CDN88-045-HA
 Q 201,202 CHIP TRANSISTOR 416-DFX1-201
 Q 204 TRANSISTOR 416-UDJ200-347
 Q 200,217,218 CHIP TRANSISTOR 416-HDJ9700-210
 Q 205-208 CHIP TRANSISTOR 416-MC6000-375
 Q 209-216 CHIP TRANSISTOR 416-MC6000-374
 D 216,250,255 TVS DIODE 414-UDJ200-284
 D 200-203,251-254 ESD DIODE 414-DJ1100G-207
 D 219,221,222,224-227,229 CHIP LED(YELLOW) 410-HDJ9700-226
 D 217,218,230,232,233,237,238 C HIP LED(BLUE) 410-HDJ9700-216
 D 220,223,228,231 CHIP LED(RED) 410-HDJ9700-214
 D 234-236,D-239-247 CHIP LED(GREEN) 410-CD900-249

Mark No.	Description	Part No.
MISCELLANEOUS		
CN 200,210	24P FFC SOCKET	404-RECYCLE-3555
CN 808,809	28P SOCKET	404-MCU300-3616-HA
CN 810	26P FFC SOCKET	404-COMBO-3725
CN 401	4P SOCKET	404-HV3500K-629A
F 400	CHIP FUSE	422-HC1000-108
JK 404,405	CORE	415-QD5MIDI-368
JK 402,406,407	2P RCA JACK	420-USOLO-314
JK 400	USB JACK	420-007USB-150
JK 408	MIC JACK	420-SMX211-137-HA
JK 404,405	BALANCE OUTPUT JACK	420-QMX1-095
JK 401	4P RCA JACK	420-QMX1-094C-HA
L 403,811	TDK CHIP BEAD	415-FU801-316
L 812	CHIP BEAD	415-IS201-382
L 402	TDK COMMON FILTERS	415-FU800-305-HA
L 813-817	CHIP BEAD	415-JKME3-369
L 405-415,806,808-810	CHIP BEAD	415-EN2000-376
L 401	INDUCTANCE	415-DJME2-355
L 400	POWER CHOKE	415-MC6000-356
L 818	CHIP BEAD	415-1300-240A
SW 400-402	SLIDE SW	403-COMBO-427
W6 TO IC	3P WIRE	404-K1000-2636

MISCELLANEOUS

CN 204 36P FFC SOCKET 404-COMBO-3724
 CN 201 38P FFC SOCKET 404-COMBO-3723
 CN 206A,206B,209 CONNECTOR 404-PDJ33-3584
 CN 200,210 24P FFC SOCKET 404-RECYCLE-3555
 F 200 IC 422-120-063
 L 201 POWER CHOKE 415-MC6000-356
 L 202 INDUCTOR (10 uH T-26MM) 415-MPG100-047-HA
 SW 200,205,207 TACT SW 403-DDJLE-419-HA
 SW 211 SLIDE SW 403-DMX101-393

Mark No.	Description	Part No.
	SW 209,210 SLIDE SW	403-X10-388-HA
	SW 201-204,206,208 TACT SW	403-MC2-383
	W 208A TO CH,W208B TO CH 3P WIRE	404-F300-3302
	W 203 3P WIRE	404-PDJ33-3592

RESISTORS

VR 201,203,208,210,211,214,215	ROTARY VR	418-COMBO-702
VR 200,202,204-207,209	ROTARY VR	418-COMBO-703
VR 213,216,217	ROTARY VR	418-COMBO-703

CAPACITORS

C 238,254	TANTALUM CAPACITOR	413-MAIE-1211
C 257,266	CHIP CAPACITOR	413-MC6000-1180
C 241,242	ELEC.CAPACITOR	413-HMA2200-5017-HA
C 243	CAPACITOR	413-DV300-5155
C 255	CAPACITOR	413-CDVD2001-265

**CH ASSY****MISCELLANEOUS**

CN 208	3P SOCKET	404-HMD5000-784A-HA
--------	-----------	---------------------

RESISTORS

VR 218	VARIABLE RESISTOR	418-PDJ33-672
--------	-------------------	---------------

**CROSS FADER ASSY****MISCELLANEOUS**

CN 01	3P SOCKET	404-KMD3500-609A
-------	-----------	------------------

RESISTORS

P 115	SLIDE VRT	418-DJM250-674-HA
-------	-----------	-------------------

**USB ASSY****SEMICONDUCTORS**

D 248,249,256,257	ESD DIODE	414-RMP3-285
-------------------	-----------	--------------

MISCELLANEOUS

JK 202	USB JACK	420-UDJ1-304-HA
L 203	TDK COMMON FILTERS	415-FU800-305-HA
W 205	5P USB WIRE	404-U2SA-3160

CAPACITORS

C 252	ELEC.CAPACITOR	413-SPPW3-235
-------	----------------	---------------

**PHONES ASSY****MISCELLANEOUS**

JK 201	HEADPHONE JACK	420-HDJ7100-063
JK 200	3P PHONE JACK	420-HMJ1001-5034-HA
W 203	4P WIRE	404-COMBO-3762
0	FERRITE CORE	415-VP9812-221-HA

**DSP & POWER ASSY****SEMICONDUCTORS**

Q 1	TRANSISTOR	416-FU800-367
-----	------------	---------------

Mark No.	Description	Part No.
Q 2	CHIP TRANSISTOR	416-HDJ9700-210
Q 6	CHIP TRANSISTOR	416-MC6000-373
Q 803,804	CHIP TRANSISTOR	416-DFX1-201
Q 3	TRANSISTOR	416-CDN88-045-HA

Q 4,5,800,801	TRANSISTOR	416-CDN88-044
D 1-3	DIODE	414-007USB-148
D 801,804,805	TVS DIODE	414-UDJ200-284
ZD 800	DIODE	414-G350-216
D 802	ESD DIODE	414-DJ1100G-207

MISCELLANEOUS

A TO B	1P LEAD WIRE	406-COMBO-1257
A TO C	1P LEAD WIRE	406-DJA12-1068
CN 810	26P FFC SOCKET	404-COMBO-3725
CN 209	CONNECTOR	404-PDJ33-3584
CN 4	11P SOCKET	404-QMX2-183A
CN 804	5P SOCKET	404-1210S-094A-HA
CN 5	12P SOCKET	404-1400-2544
CN 2	4P SOCKET	404-HV3500K-629A
CN 6	3P SOCKET	404-HV3500K-623A
CN 812A,812B	2P SOCKET	404-HP1010K-257A

F 800	CHIP FUSE	422-HC1000-108
F 1	CHIP FUSE	422-3BPM-069
F 2	CHIP FUSE	422-304-068
L 823-834,838	CHIP BEAD	415-COMBO-418
L 816-822	CHIP BEAD	415-COMBO-419

L 101,812-815	CHIP BEAD	415-COMBO-420
L 16-19	CHIP BEAD	415-COMBO-421
L 803,804	CHIP BEAD	415-EN2000-376
L 808-810	TDK CHIP BEAD	415-FU801-316
L 2-11	BEAD CORE	415-HV3500K-090-HA

L 12,13	CORE	415-MC2-401-HA
L 14,15	POWER CHOKE	415-MC6000-356
L 800	INDUCTANCE	415-USOLOPA-342
W 3	14P WIRE	404-COMBO-3765
W 806	8P WIRE	404-COMBO-3766

W 402A	2P WIRE	404-COMBO-3781
W 811	4P WIRE	404-HPM11-1581

RESISTORS

R 18	CHIP RESISTOR	412-COMBO-1566
R 2	CHIP RESISTOR	412-COMBO-1567
R 1	CHIP RESISTOR	412-900-987
R 10	CHIP RESISTOR	412-900-994
R 3	CHIP RESISTOR	412-900-996

CAPACITORS

C 38	ELEC.CAPACITOR	413-SPPW3-235
C 35,36	CAPACITOR	413-SPPW3-236
C 22,23	ELEC. CAPACITOR	413-SPPW3-238-HA
C 34	ELEC.CAPACITOR	413-007USB-828
C 41	ELEC. CAPACITOR	413-RMX30-883

C 46-49	PORYESTER CAPACITOR	413-QSPAND-632
C 30	CAPACITOR	413-HT8015-169
C 40	ELEC. CAPACITOR	413-IS303-1071
C 3,4,861-863,868,869,920	CHIP CAPACITOR	413-MC6000-1180
C 921,926,927,929,931	CHIP CAPACITOR	413-MC6000-1180

C 31,871	CAPACITOR	413-MC6000-1190
C 866,867	ELEC.CAPACITOR	413-MC6000-1191-HA
C 37	ELEC.CAPACITOR	413-HP1010K-200-HA
C 21,858	ELEC.CAPACITOR	413-HMA2200-5017-HA
C 42	ELEC. CAPACITOR	413-COMBO-1257

Mark No. Description Part No.

Mark No. Description Part No.

A H Wi-Fi PCB ASSY

MISCELLANEOUS

CN 806 8P SOCKET	404-HMD510-273
CN 803 6P SOCKET	404-HV3500K-630A
CN 810 4P SOCKET	404-HV3500K-629A
L 811 CHIP BEAD	415-EN2000-376

CAPACITORS

C 895-897 CHIP ELEC. CAPACITOR	413-45X-1241
C 898 CHIP ELEC. CAPACITOR	413-COMBO-1254
C 899 CHIP ELEC. CAPACITOR	413-COMBO-1253

B I CD1 ASSY

SEMICONDUCTORS

Q 102-105 CHIP TRANSISTOR	416-MC6000-375
Q 106-112 CHIP TRANSISTOR	416-MC6000-374
Q 100,101 TRANSISTOR	416-CDN88-044
ZD 100,101 ESD DIODE	414-RMP3-285
ZD 102,104,105 CHIP ZENER DIODE	414-DJM4000-331-HA

D 131,132 SENSOR	417-HDJ2000-411
D 161 LED(RED/YELLOW GREEN)	410-PS2-185-HA
D 149 LED(RED)	410-DJ5000-253T
D 133,134,140,141,155 LED(YELLOW GREEN)	410-DJ5000-252T
D 157,158 LED(YELLOW GREEN)	410-DJ5000-252T

D 135,139,142,150,151,153 LED(YELLOW)	410-HDJ2000-162T
D 136-138,143-148,152 LED(BLUE)	410-CDI600-357T
D 154,156,159,160 LED(BLUE)	410-CDI600-357T

MISCELLANEOUS

CHASSIA PVC WIRE	406-COMBO-1256
CN 201 38P FFC SOCKET	404-COMBO-3723
CN 206 CONNECTOR	404-PDJ33-3584
IC 100 FIXED PLATE	300-VFD-2039
J 2,3 1P WIRE	406-D1PRO-923

J 1 LEAD WIRE	406-MX3000-720
L 107-109 CHIP BEAD	415-COMBO-422
L 101 COIL	415-HT8015-040
L 102-105 CHIP BEAD	415-IS201-382
L 106 CHIP BEAD	415-JKME3-369

L 100 POWER CHOKE	415-MC6000-356
SW 100-102,105,108,111 TACT SW	403-MC2-383
SW 115,119,120 TACT SW	403-MC2-383
SW 106,107,109,110,112-114 TACT SW	403-DDJLE-419-HA
SW 116-118,121-127 TACT SW	403-DDJLE-419-HA

SW 128 ENCODER	403-COMBO-423
SW 103,104 SWITCH	403-DDJLE-416
SW 129,130 ENCODER	403-COMBO-424
W 812 2P WIRE	404-COMBO-3763
0 1P GROUNG WIRE	406-S1-1241

RESISTORS

VR 100 ROTARY VR	418-COMBO-698
R 129 CARBON FILM RESISTOR	412-3113-080
P 100 SLIDE VR	418-810-281A

CAPACITORS

C 112,120 ELEC. CAPACITOR	413-SPPW3-235-HA
C 115 ELEC.CAPACITOR	413-HMA2200-5017-HA
C 128,129,131 CHIP CAPACITOR	413-MC6000-1180
C 139 ELEC. CAPACITOR	413-DM1000-348

I CD2 ASSY

SEMICONDUCTORS

Q 102-105 CHIP TRANSISTOR	416-MC6000-375
Q 106-112 CHIP TRANSISTOR	416-MC6000-374
Q 100,101 TRANSISTOR	416-CDN88-044
ZD 100,101 ESD DIODE	414-RMP3-285
ZD 102,104,105 CHIP ZENER DIODE	414-DJM4000-331-HA

D 131,132 SENSOR	417-HDJ2000-411
D 149 LED(RED)	410-DJ5000-253T
D 133,134,140,141 LED(YELLOW GREEN)	410-DJ5000-252T
D 155,157,158 LED(YELLOW GREEN)	410-DJ5000-252T
D 135,139,142,150,151,153 LED(YELLOW)	410-HDJ2000-162T

D 136-138,143-148,152 LED(BLUE)	410-CDI600-357T
D 154,156,159,160 LED(BLUE)	410-CDI600-357T

MISCELLANEOUS

CHASSIA 2P GROUND WIRE	406-COMBO-1228
CN 204 36P FFC SOCKET	404-COMBO-3724
CN 206 CONNECTOR	404-PDJ33-3584
IC 100 FIXED PLATE	300-VFD-2039
J 2,3 1P WIRE	406-D1PRO-923

J 1,4 LEAD WIRE	406-MX3000-720
L 107-109 CHIP BEAD	415-COMBO-422
L 101 COIL	415-HT8015-040
L 102-105 CHIP BEAD	415-IS201-382
L 106 CHIP BEAD	415-JKME3-369

L 100 POWER CHOKE	415-MC6000-356
SW 100-102,105,108,1110 TACT SW	403-MC2-383
SW 115,119,120 TACT SW	403-MC2-383
SW 106,107,109,110,112-114 TACT SW	403-DDJLE-419-HA
SW 116-118,121-124,126,127 TACT SW	403-DDJLE-419-HA

SW 128 ENCODER	403-COMBO-423
SW 103,104 SWITCH	403-DDJLE-416
SW 129,130 ENCODER	403-COMBO-424
W 812 2P WIRE	404-COMBO-3764
0 1P GROUNG WIRE	406-S1-1240-HA

RESISTORS

VR 100 ROTARY VR	418-COMBO-698
R 129 CARBON FILM RESISTOR	412-3113-080
P 100 SLIDE VR	418-810-281A

CAPACITORS

C 112,120 ELEC. CAPACITOR	413-SPPW3-235-HA
C 115 ELEC.CAPACITOR	413-HMA2200-5017-HA
C 128-131 CHIP CAPACITOR	413-MC6000-1180
C 139 ELEC. CAPACITOR	413-DM1000-348

J SERVO ASSY

SEMICONDUCTORS

Q 101 TRANSISTOR	416-CDN88-045-HA
Q 102 TRANSISTOR	416-UJ300KM-386
Q 103,106 TRANSISTOR	416-CDN88-044
Q 104,105 CHIP TRANSISTOR	416-CDN88-051
D 102,103 INFRARED EMITTING	410-CDMIX1-147

MISCELLANEOUS

CN 101 17P SOCKET	404-MCU300-3615-HA
CN 106 3P SOCKET	404-HMD5000-784A-HA

Mark	No.	Description	Part No.
	CN 102A	28P SOCKET	404-MCU300-3616-HA
	CN 105	4P SOCKET	404-DCM270E3-878A
△	F 100	CHIP FUSE	422-HC1000-108
	L 104	BEAD	415-DCM370E3-134
	L 107-L109	CHIP BEAD	415-COMBO-417
	L 101-103,105,106	TDK CHIP BEAD	415-FU801-316
	SW 101	LEAF SW	403-MK9-259-HA

CAPACITORS

C 110	CHIP ELEC. CAPACITOR	413-45X-1243
C 114,128,132	CHIP ELEC. CAPACITOR	413-45X-1242
C 102,103,105,121,125	CHIP ELEC. CAPACITOR	413-45X-1241
C 151,157-160	CHIP ELEC. CAPACITOR	413-45X-1241
C 112	ELEC. CAPACITOR	413-SPPW3-305
C 113	CHIP ELEC. CAPACITOR	413-COMBO-1254
C 106,123	CHIP ELEC. CAPACITOR	413-COMBO-1253